



US00D749360S

(12) **United States Design Patent**
Lee et al.

(10) **Patent No.:** **US D749,360 S**
(45) **Date of Patent:** **** Feb. 16, 2016**

(54) **COOKTOP**

(71) Applicant: **Samsung Electronics Co., Ltd.**,
Suwon-si (KR)
(72) Inventors: **Soo-Jung Lee**, Kimpo-Si (KR);
Chi-Young Ahn, Seoul (KR); **Hong-Pyo**
Kim, Seoul (KR)

(73) Assignee: **Samsung Electronics Co., Ltd.**,
Suwon-si (KR)

(**) Term: **14 Years**

(21) Appl. No.: **29/496,063**

(22) Filed: **Jul. 9, 2014**

(30) **Foreign Application Priority Data**

Jan. 15, 2014 (KR) 30-2014-0002413

(51) **LOC (10) Cl.** **07-02**

(52) **U.S. Cl.**
USPC **D7/408**

(58) **Field of Classification Search**
USPC D7/339-341, 346, 354-361, 388, 402,
D7/408-409; D23/346-347, 397; 126/211,
126/275 R; 99/385, 402, 403, 427, 449-450,
99/421 A, 421 H, 421 R; 220/491, 912
CPC A47J 37/0786; A47J 37/0704; A47J
37/0694; A47J 43/18; F24C 15/107
See application file for complete search history.

(56) **References Cited**

U.S. PATENT DOCUMENTS

D367,802 S * 3/1996 Lewis D7/408
D369,062 S * 4/1996 Holbrook, Jr. D7/408

D371,277 S * 7/1996 Pink D7/408
D372,630 S * 8/1996 Lewis D7/346
D401,112 S * 11/1998 Miller D7/408
D502,632 S * 3/2005 Becker D7/346
D602,738 S * 10/2009 Bengtson D7/408
D616,247 S * 5/2010 Fuller D7/408
D628,017 S * 11/2010 Funnell D7/408
D678,723 S * 3/2013 Funnell, II D7/408
D702,496 S * 4/2014 Funnell, II D7/408
D703,484 S * 4/2014 Boo D7/408

* cited by examiner

Primary Examiner — Zenia Bennett

(74) *Attorney, Agent, or Firm* — NSIP Law

(57) **CLAIM**

We claim the ornamental design for a cooktop, as shown and described.

DESCRIPTION

FIG. 1 is a front perspective view of a cooktop showing our new design;

FIG. 2 is a front view thereof;

FIG. 3 is a rear view thereof;

FIG. 4 is a left-side view thereof;

FIG. 5 is a right-side view thereof;

FIG. 6 is a top view thereof;

FIG. 7 is a bottom thereof; and,

FIG. 8 is another front perspective view thereof, in which a home appliance is shown in broken lines to illustrate an example environment.

The broken lines in the figures show portions of the cooktop which form no part of the claimed design.

The broken lines shown in FIG. 8 are for environmental purposes only and form no part of the claimed design.

1 Claim, 6 Drawing Sheets

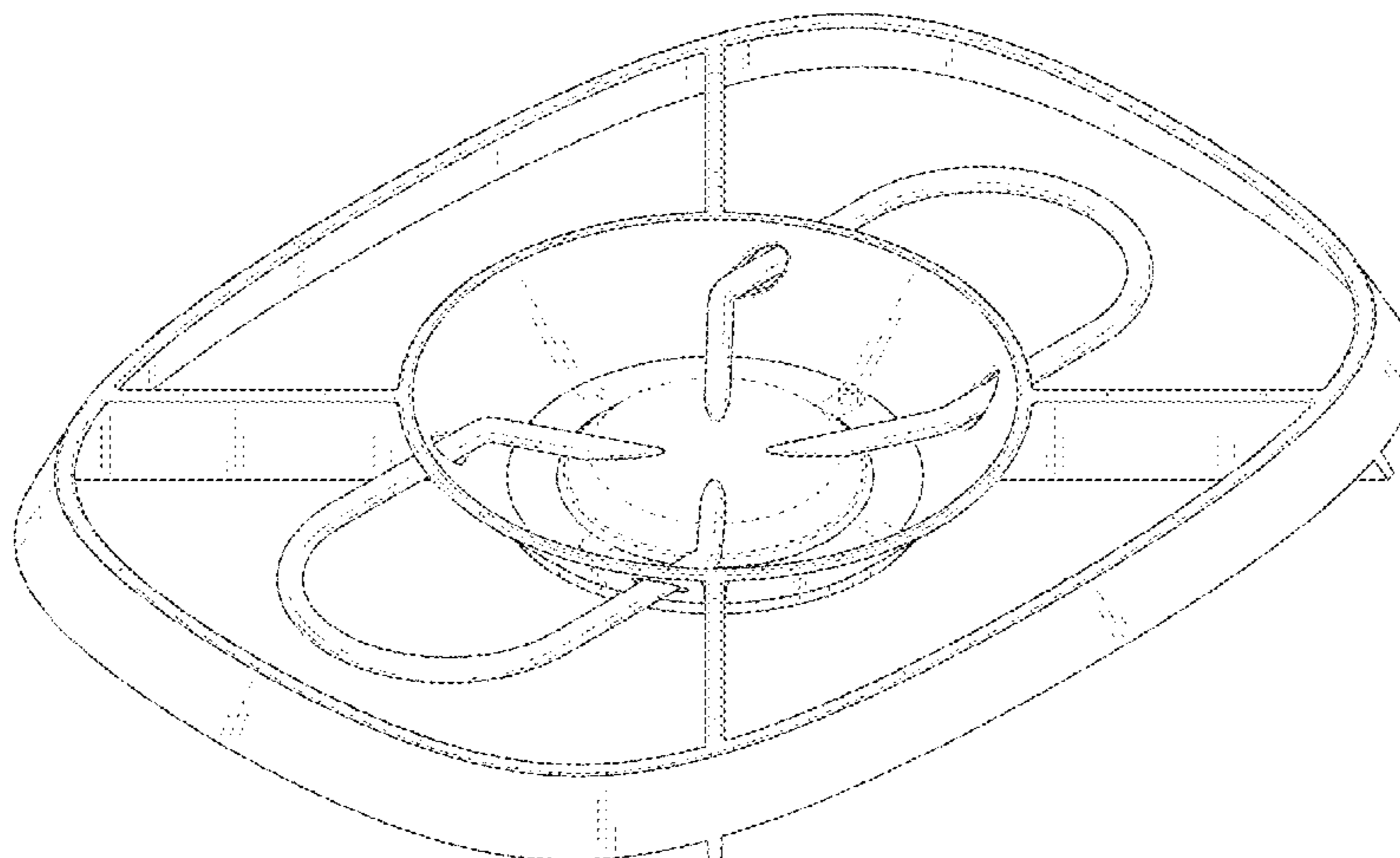


FIG. 1

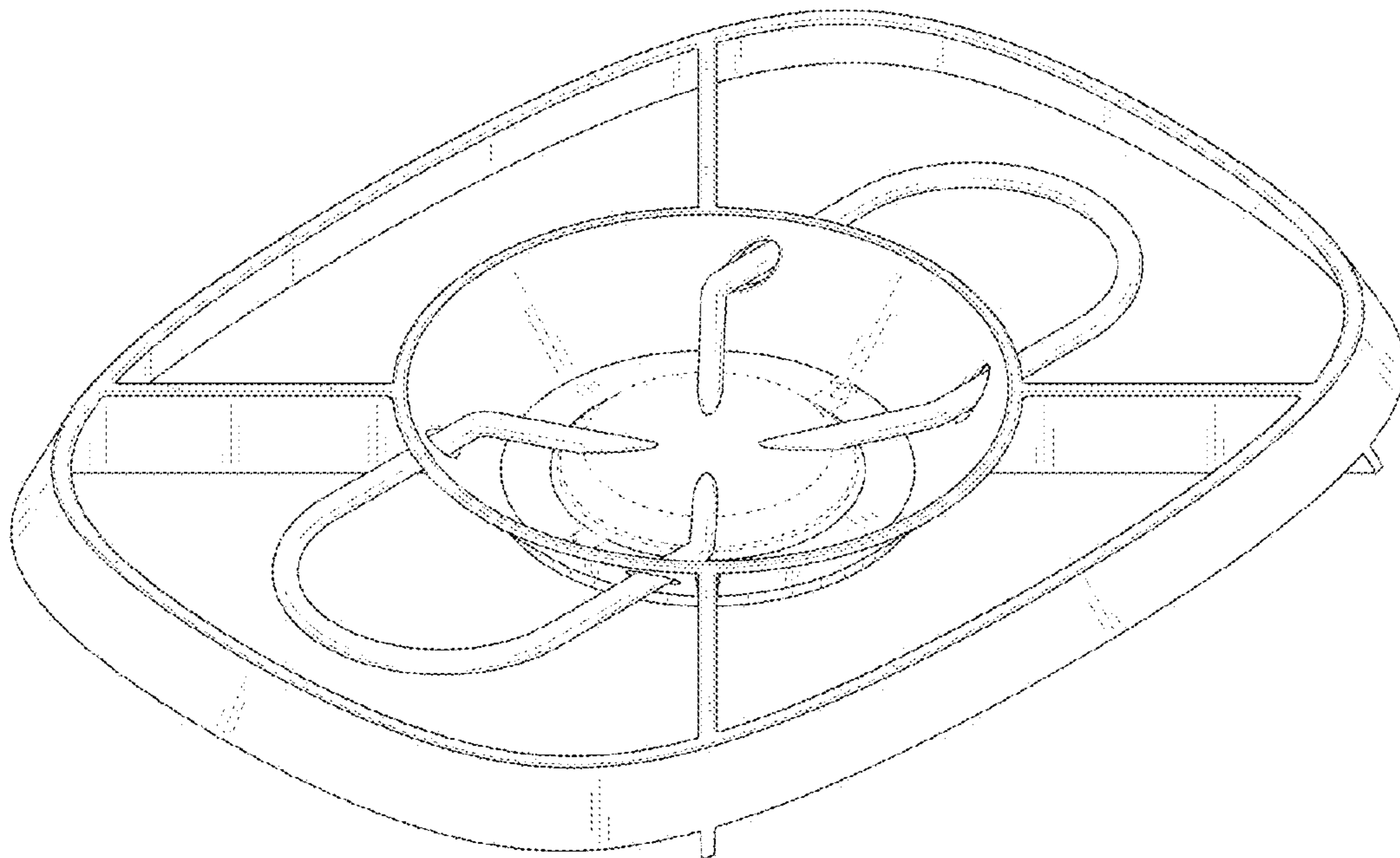


FIG. 2

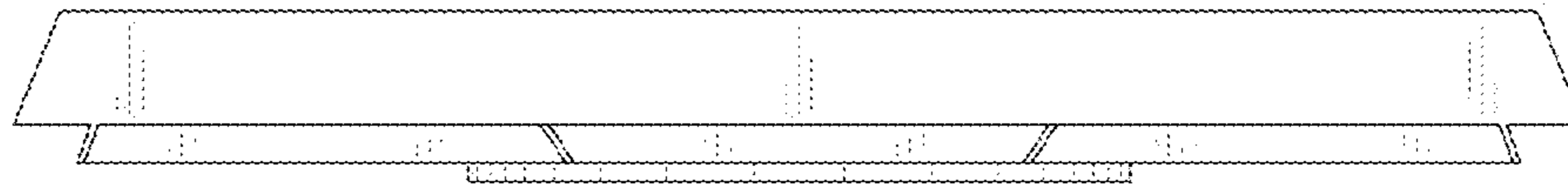


FIG. 3

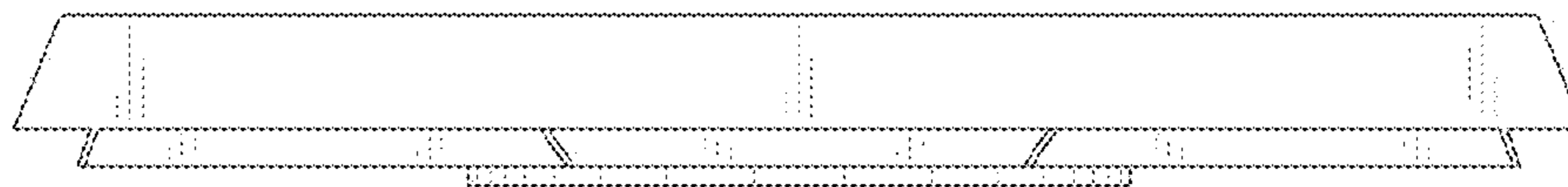


FIG. 4

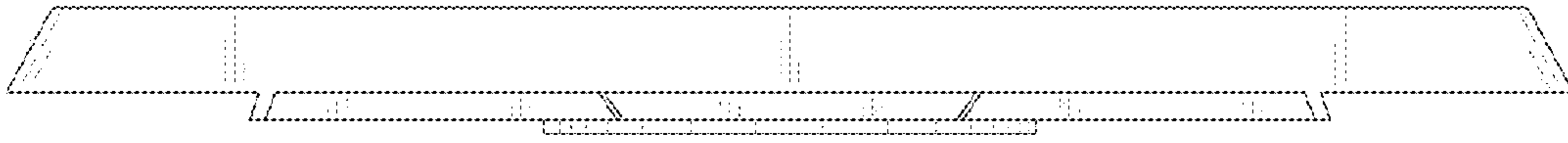


FIG. 5

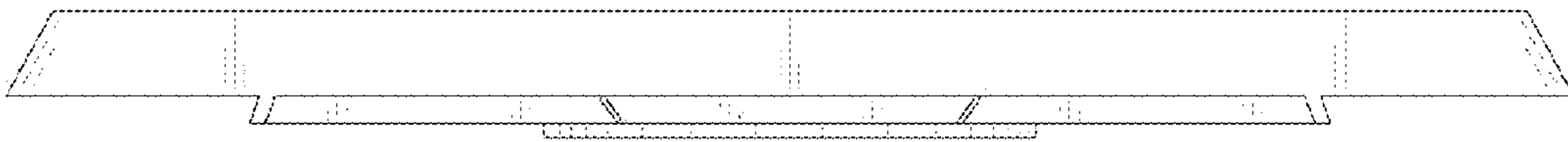


FIG. 6

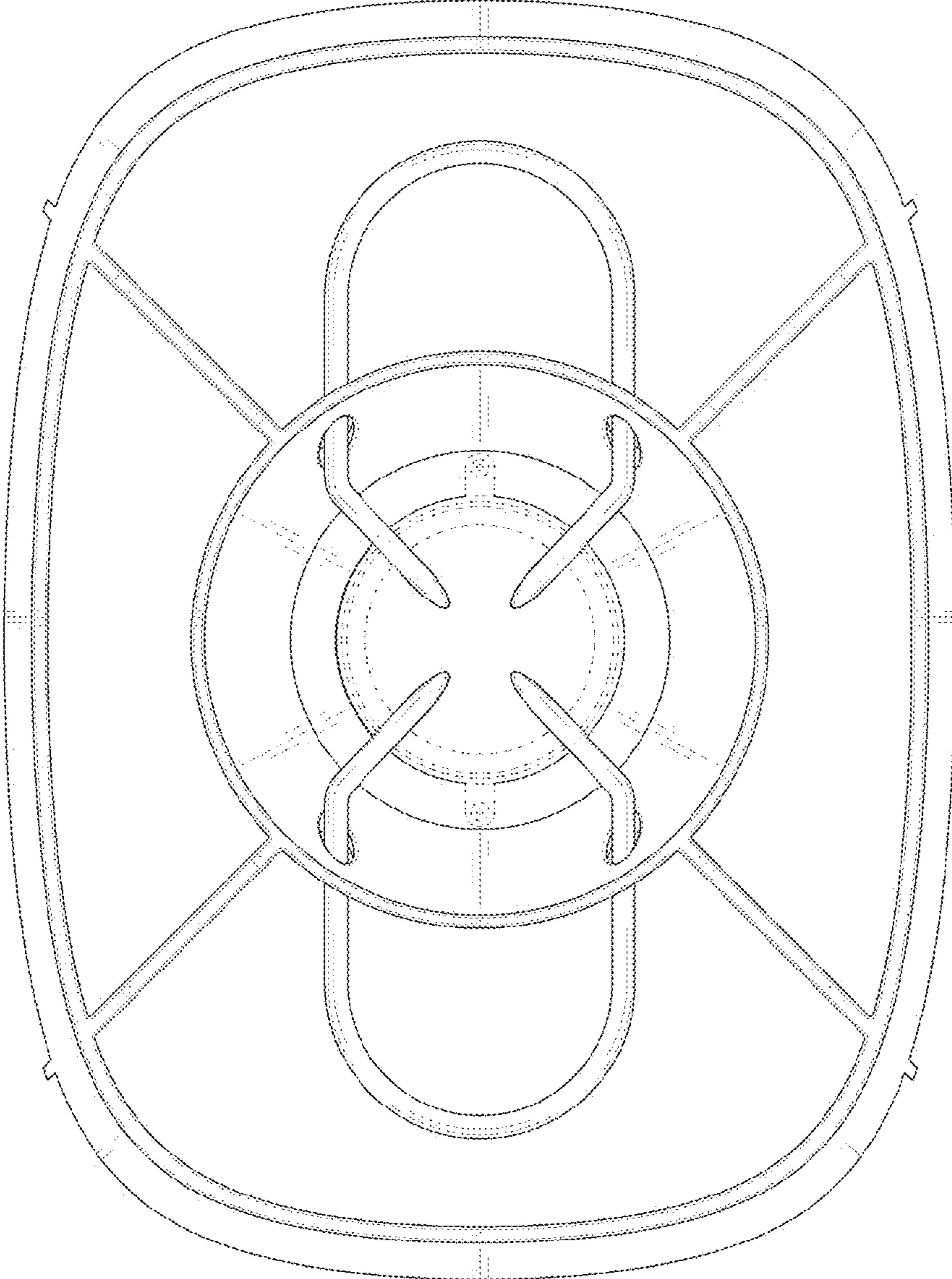


FIG. 7

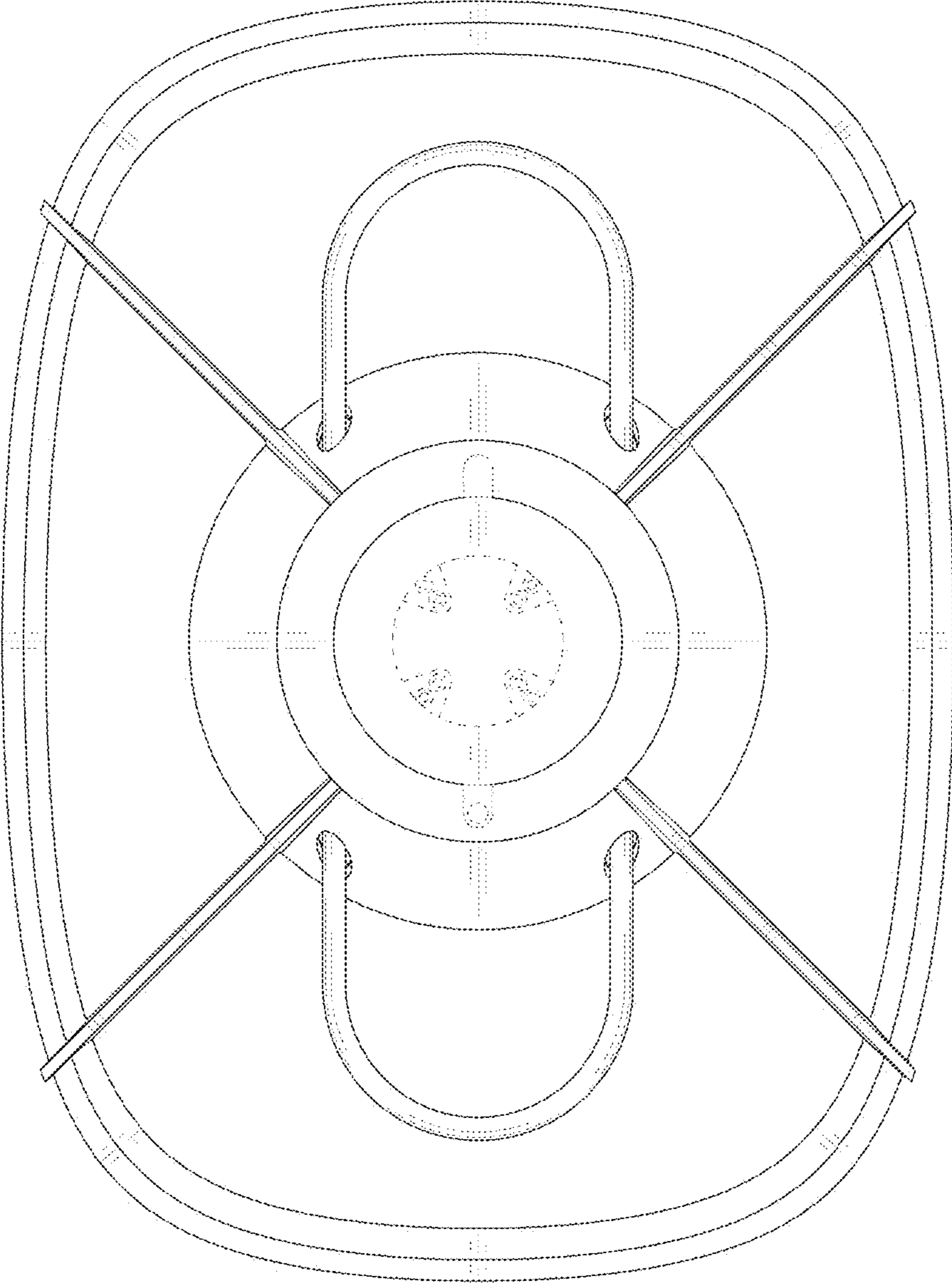


FIG. 8

