



US00D749356S

(12) **United States Design Patent**
Steiner

(10) **Patent No.:** **US D749,356 S**

(45) **Date of Patent:** **** Feb. 16, 2016**

(54) **COOKWARE HANDLE**

(71) Applicant: **Hamilton Beach Brands, Inc.**, Glen Allen, VA (US)

(72) Inventor: **Mark C Steiner**, Midlothian, VA (US)

(73) Assignee: **Hamilton Beach Brands, Inc.**, Glen Allen, VA (US)

(**) Term: **14 Years**

(21) Appl. No.: **29/516,603**

(22) Filed: **Feb. 4, 2015**

(51) **LOC (10) Cl.** **07-02**

(52) **U.S. Cl.**
USPC **D7/395**

(58) **Field of Classification Search**
USPC D7/682, 683, 688, 690, 691, 393-395,
D7/401.2; D8/107, 300, 307; D4/138, 129;
16/421, 430, 431, 110.1, 407;
220/573.1-573.5, 752, 753, 755, 756,
220/759, 767, 771, 912
CPC A47J 45/06; A47J 45/061; A47J 45/62;
A47J 45/08; A47J 45/085; A47J 45/071;
A47J 45/072; B65D 25/2802; B65D 25/2882;
B65D 25/2885; B65D 25/2888; B65D
25/2894; Y10S 220/912

See application file for complete search history.

(56) **References Cited**

U.S. PATENT DOCUMENTS

D426,107 S *	6/2000	Cheng	D7/393
D555,421 S *	11/2007	Thurlow	D7/393
D587,519 S *	3/2009	Cheng	D7/360
D592,452 S *	5/2009	Tetreault	D7/395
D598,705 S *	8/2009	Tetreault	D7/395
D610,401 S *	2/2010	Pantaleo	D7/395
D613,551 S *	4/2010	Pantaleo	D7/395
D622,098 S *	8/2010	Pantaleo	D7/395
D667,691 S	9/2012	Rae		
D682,013 S	5/2013	Huang		
D682,023 S *	5/2013	Rae	D7/395
D699,511 S *	2/2014	Rae	D7/395
D711,188 S *	8/2014	Shen	D7/395

* cited by examiner

Primary Examiner — Cynthia M Chin

(74) *Attorney, Agent, or Firm* — Alexander D. Raring

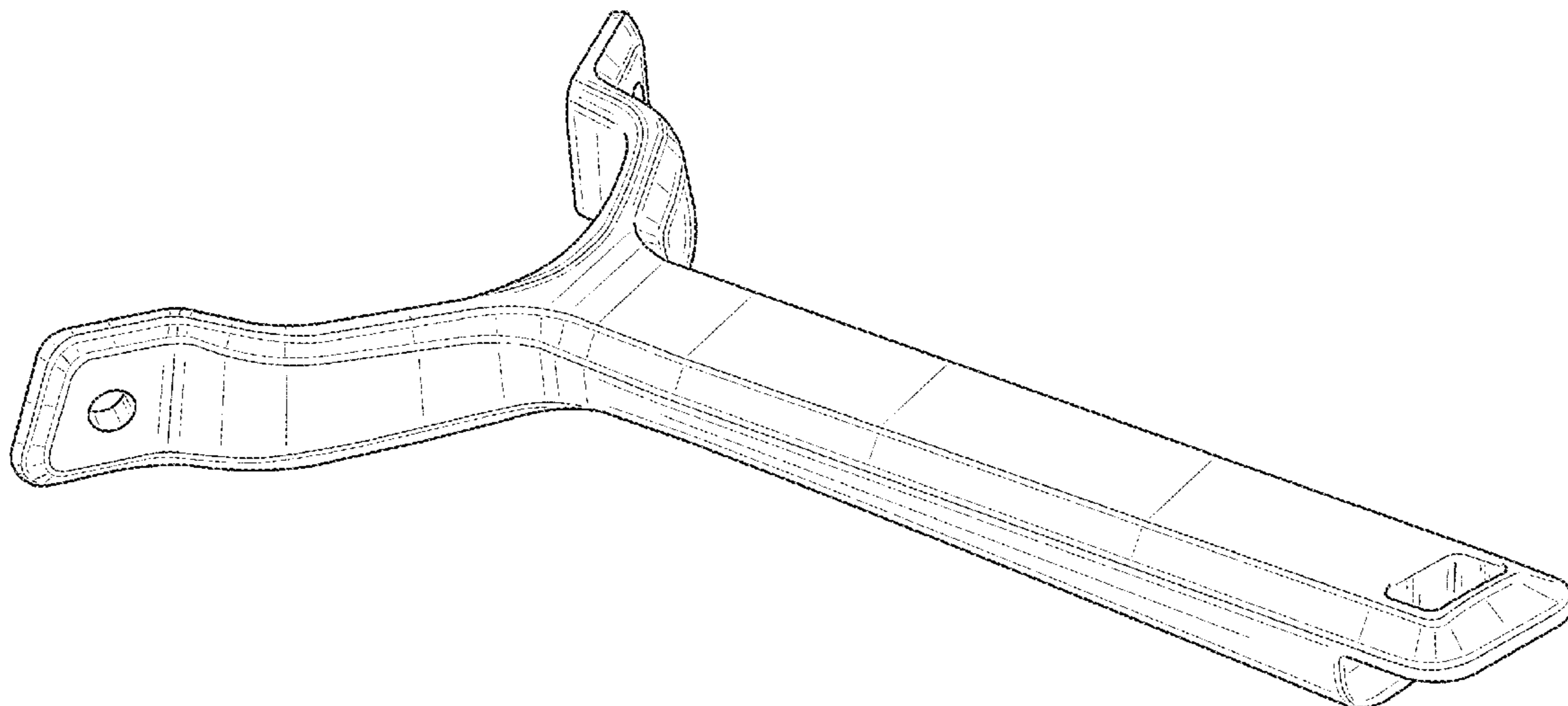
(57) **CLAIM**

The ornamental design for a cookware handle, as shown and described.

DESCRIPTION

FIG. 1 is a perspective view as seen from the top, front and left side of a handle for cookware showing the new design; FIG. 2 is a rear view thereof; FIG. 3 is a front view thereof; FIG. 4 is a left side view thereof; FIG. 5 is a right side view thereof; FIG. 6 is a top view thereof; and, FIG. 7 is a bottom view thereof.

1 Claim, 7 Drawing Sheets



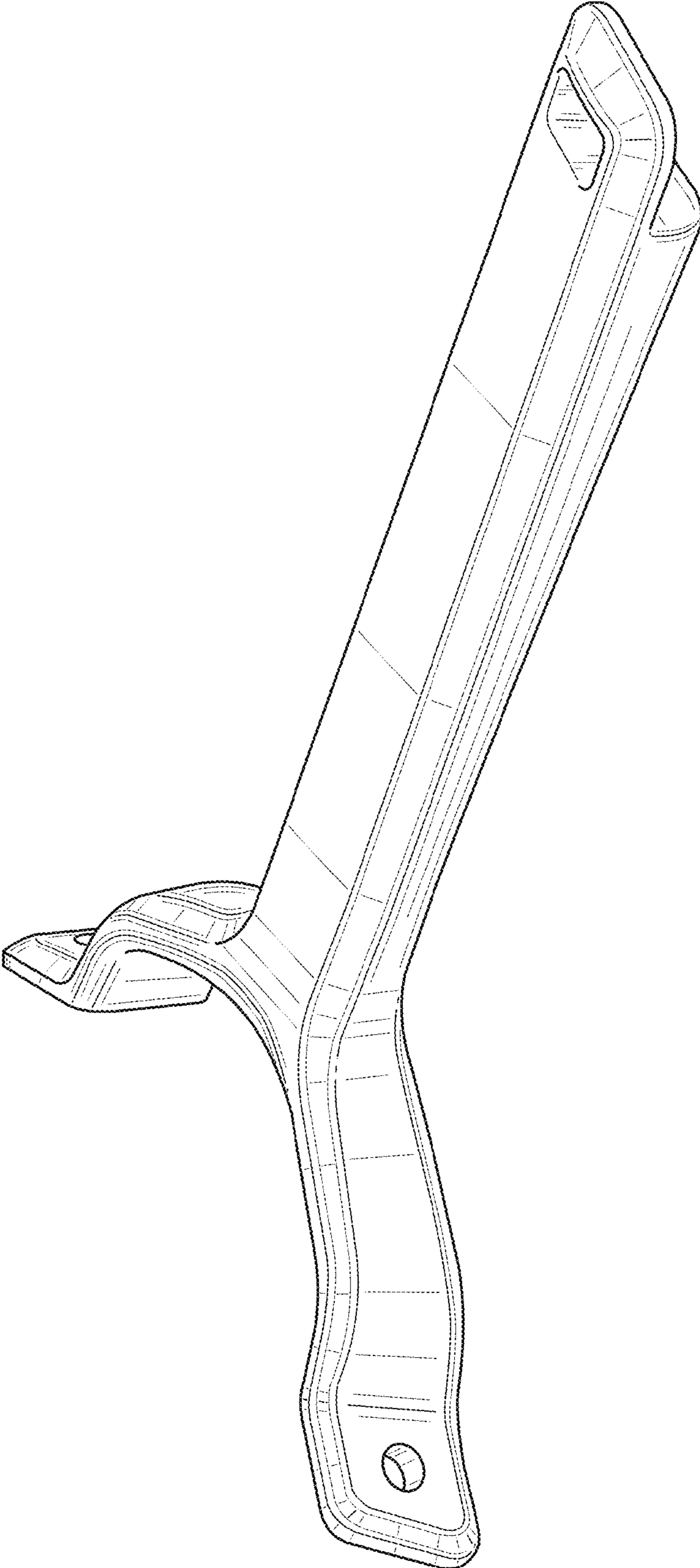


FIG. 1

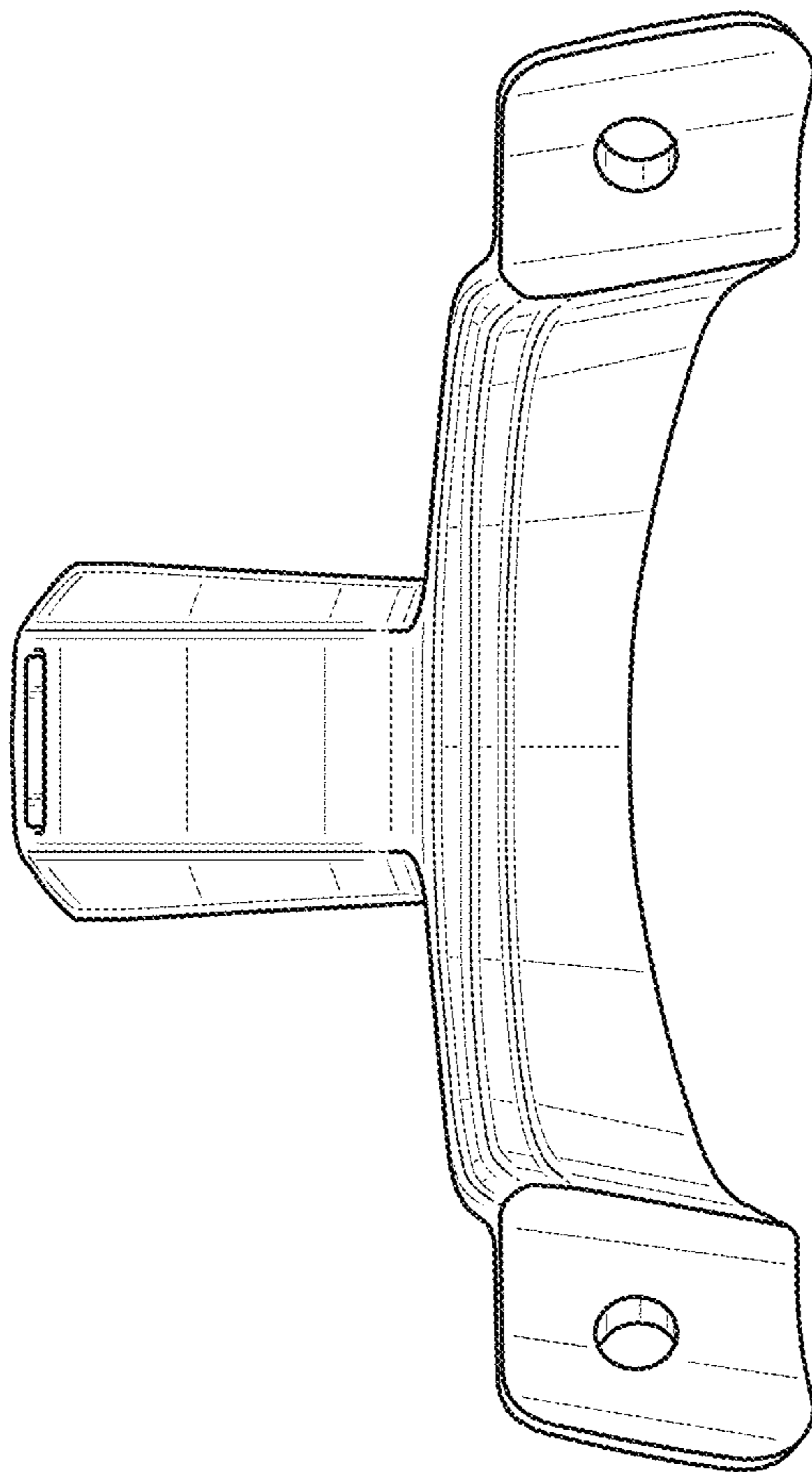


FIG. 2

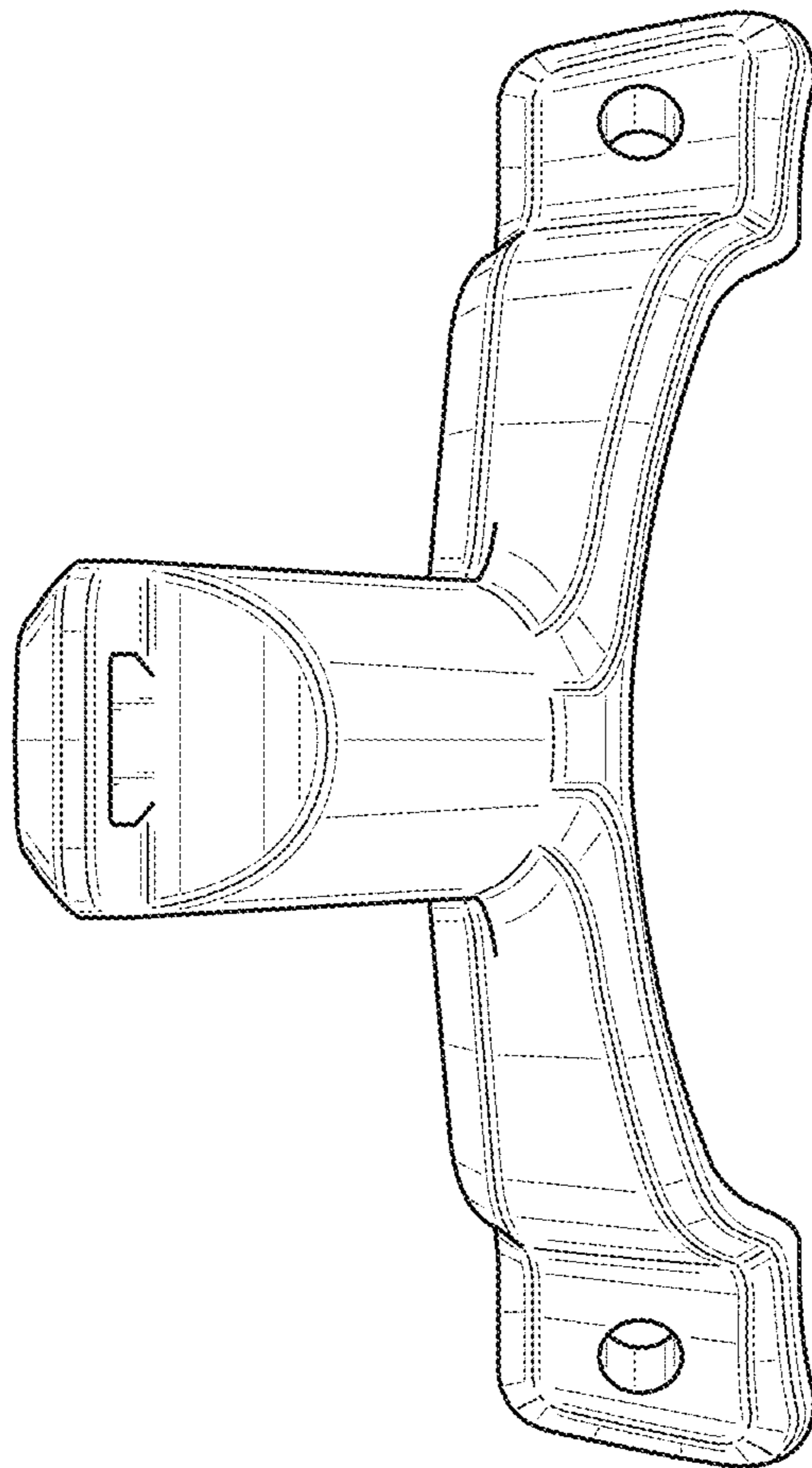


FIG. 3

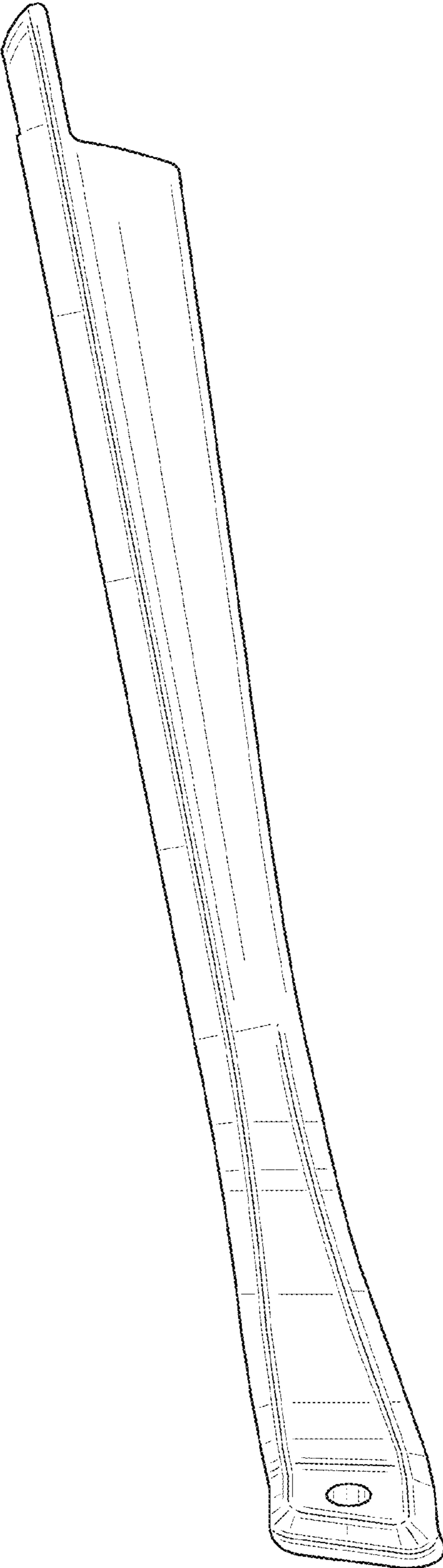


FIG. 4

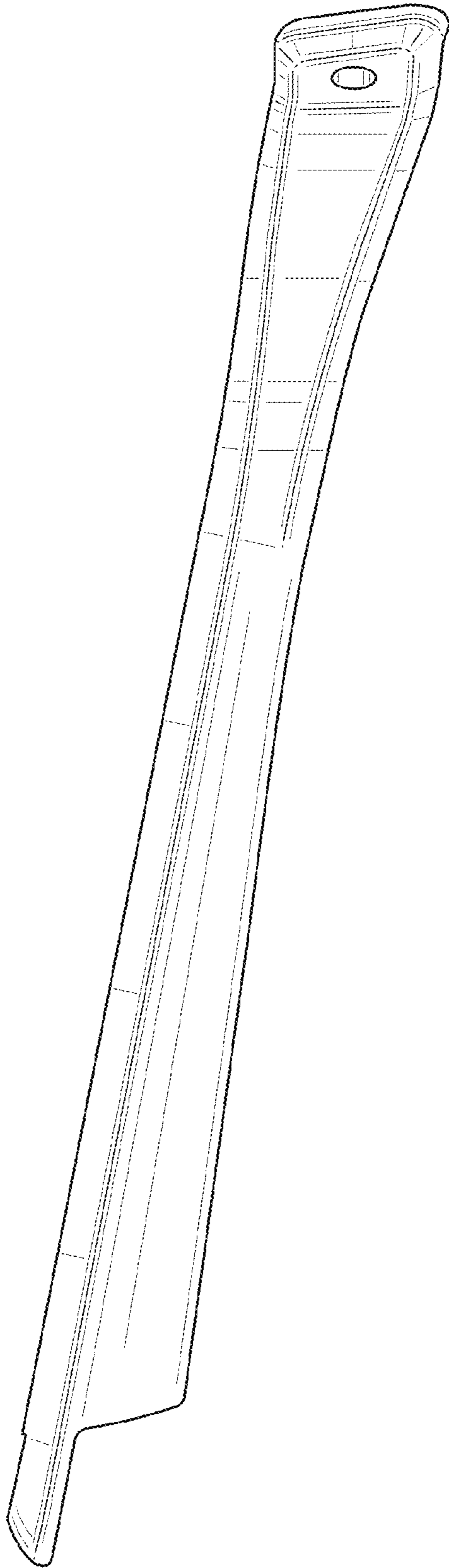


FIG. 5

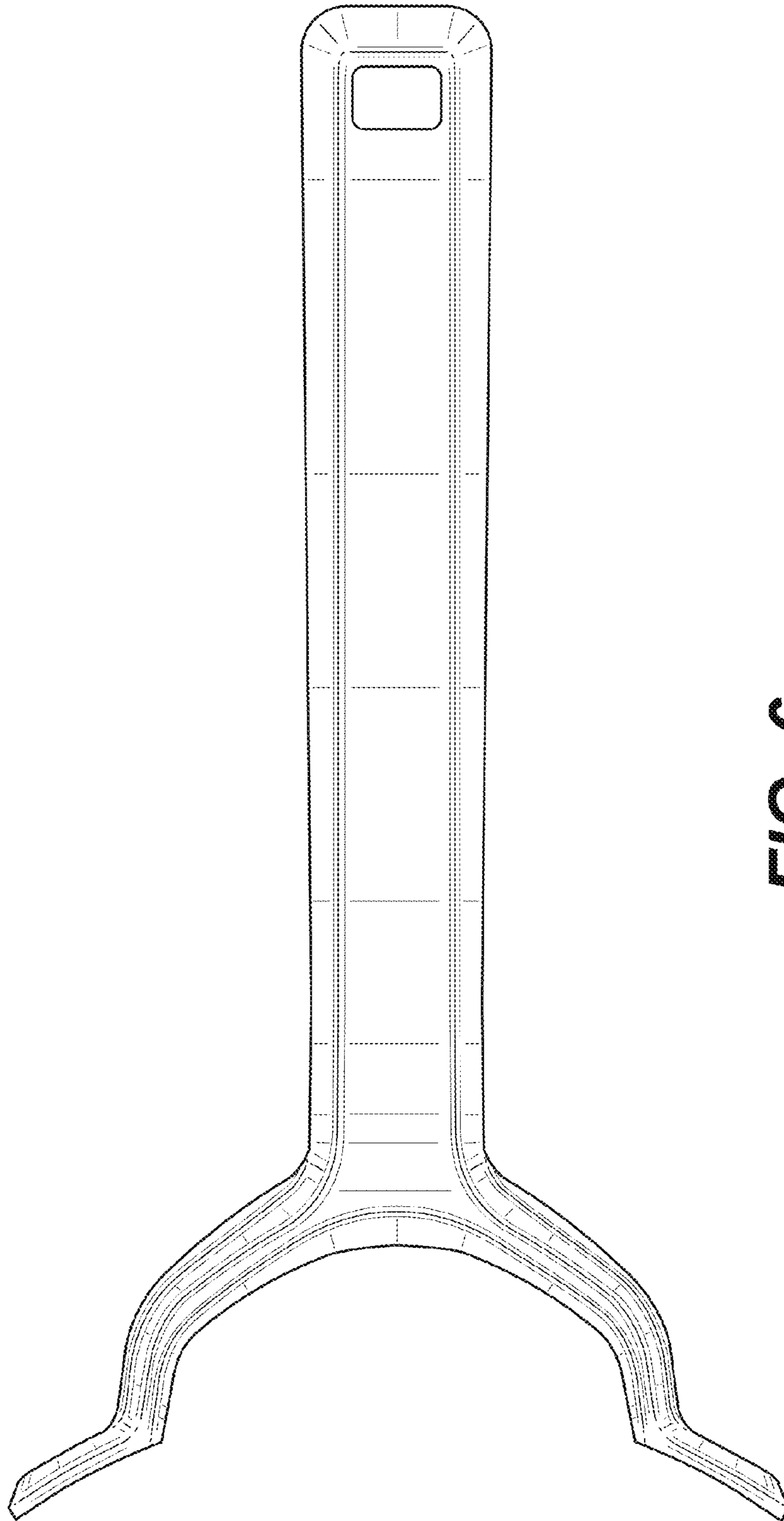


FIG. 6

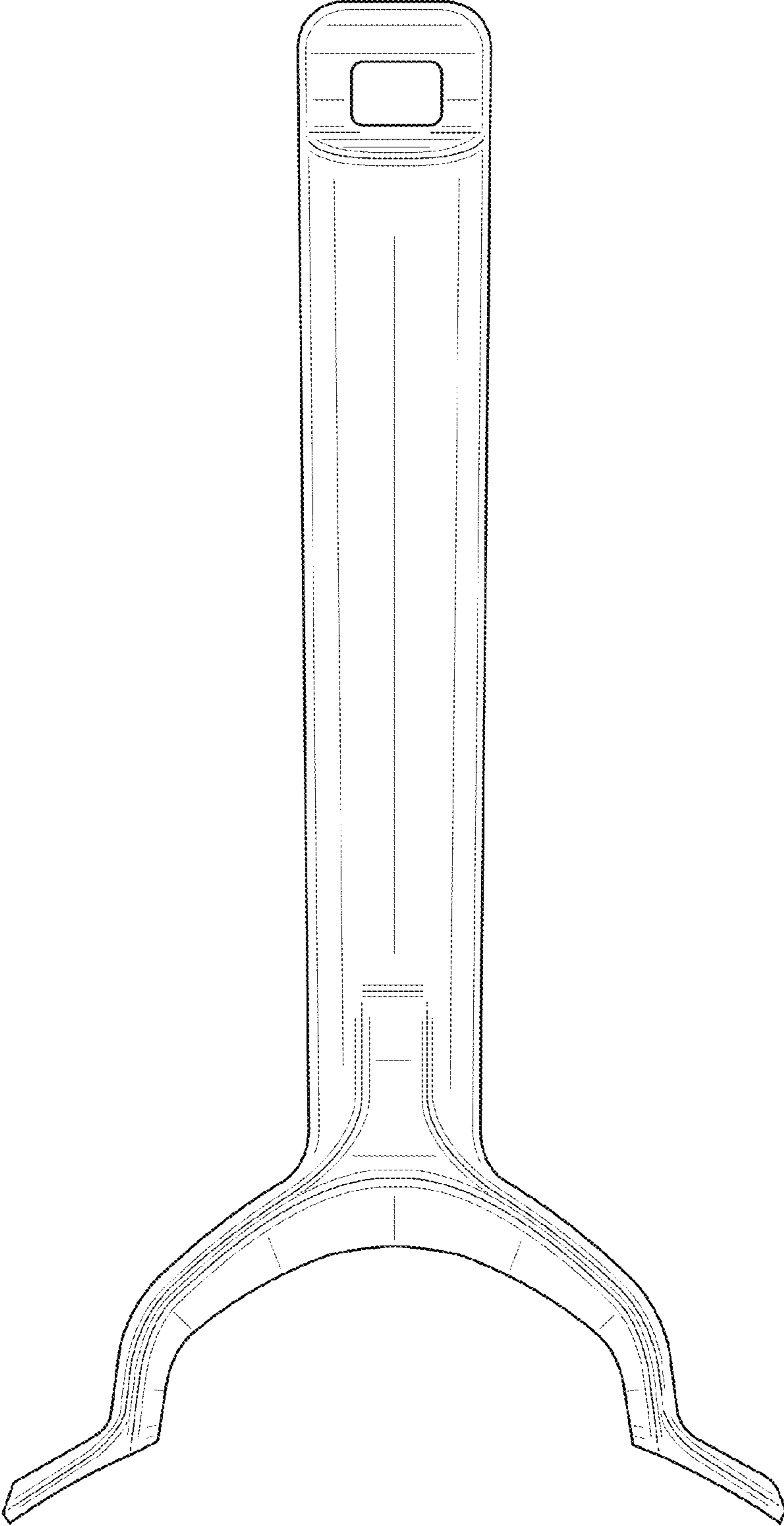


FIG. 7