



US00D749355S

(12) **United States Design Patent**
Steiner

(10) **Patent No.:** **US D749,355 S**
(45) **Date of Patent:** **** Feb. 16, 2016**

- (54) **COOKWARE HANDLE**
- (71) Applicant: **Hamilton Beach Brands, Inc.**, Glen Allen, VA (US)
- (72) Inventor: **Mark C Steiner**, Midlothian, VA (US)
- (73) Assignee: **Hamilton Beach Brands, Inc.**, Glen Allen, VA (US)
- (**) Term: **14 Years**
- (21) Appl. No.: **29/516,608**
- (22) Filed: **Feb. 4, 2015**
- (51) **LOC (10) Cl.** **07-02**
- (52) **U.S. Cl.**
USPC **D7/394**
- (58) **Field of Classification Search**
USPC D7/354-361, 391, 393-395, 396.2, 514, D7/664; D8/107, 300, 301, 306, 315, 316, D8/317, 319, 320, 321; D3/318
CPC A47J 45/06; A47J 45/061; A47J 45/62; A47J 45/08; A47J 45/085; B65D 25/2802; B65D 25/2882; B65D 25/2885; B65D 25/2888; B65D 25/2894; Y10S 220/912
See application file for complete search history.

D503,307 S *	3/2005	Thomkins	D7/394
D551,497 S *	9/2007	Rae	D7/394
D567,580 S *	4/2008	Rae	D7/394
D578,346 S *	10/2008	Rae	D7/394
D593,793 S *	6/2009	Rae	D7/394
D611,297 S *	3/2010	Tetreault	D7/394
D667,691 S	9/2012	Rae		
D682,013 S	5/2013	Huang		
D704,000 S *	5/2014	Clabots	D7/394
D704,988 S *	5/2014	Rae	D7/394
D704,994 S *	5/2014	Clabots	D7/394
D704,995 S *	5/2014	Rae	D7/394
D728,999 S *	5/2015	Barberi	D7/394

* cited by examiner

Primary Examiner — Cynthia M Chin

(74) *Attorney, Agent, or Firm* — Alexander D. Raring

(57) **CLAIM**

The ornamental design for a cookware handle, as shown and described.

DESCRIPTION

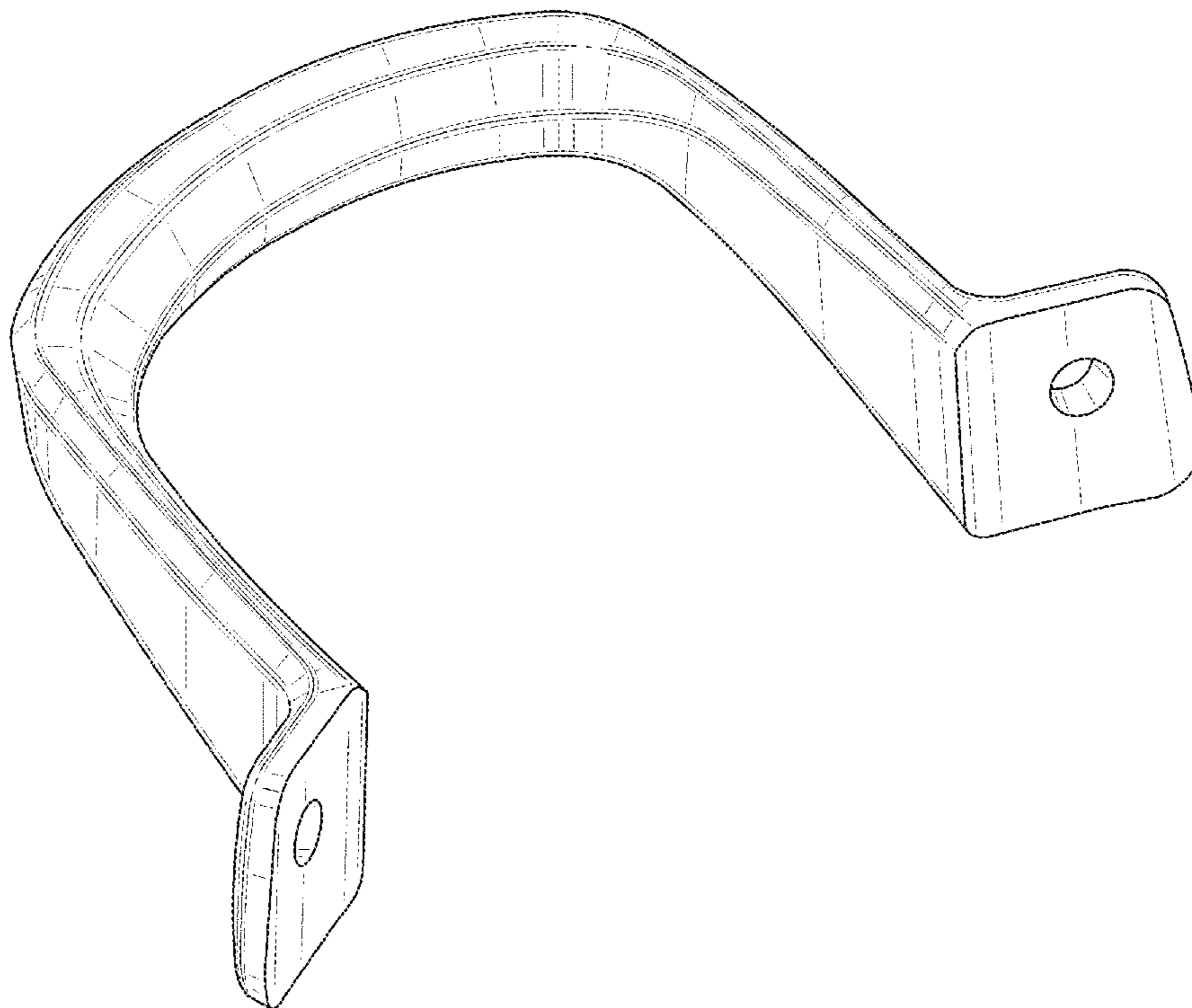
FIG. 1 is a perspective view as seen from the top, rear and right side of a cookware handle showing the new design; FIG. 2 is a top view thereof; FIG. 3 is a bottom view thereof; FIG. 4 is a front view thereof; FIG. 5 is a rear view thereof; FIG. 6 is a left side view thereof; and, FIG. 7 is a right side view thereof.

1 Claim, 7 Drawing Sheets

(56) **References Cited**

U.S. PATENT DOCUMENTS

D284,539 S *	7/1986	Baumgarten	D7/393
D494,808 S *	8/2004	Thomkins	D7/394



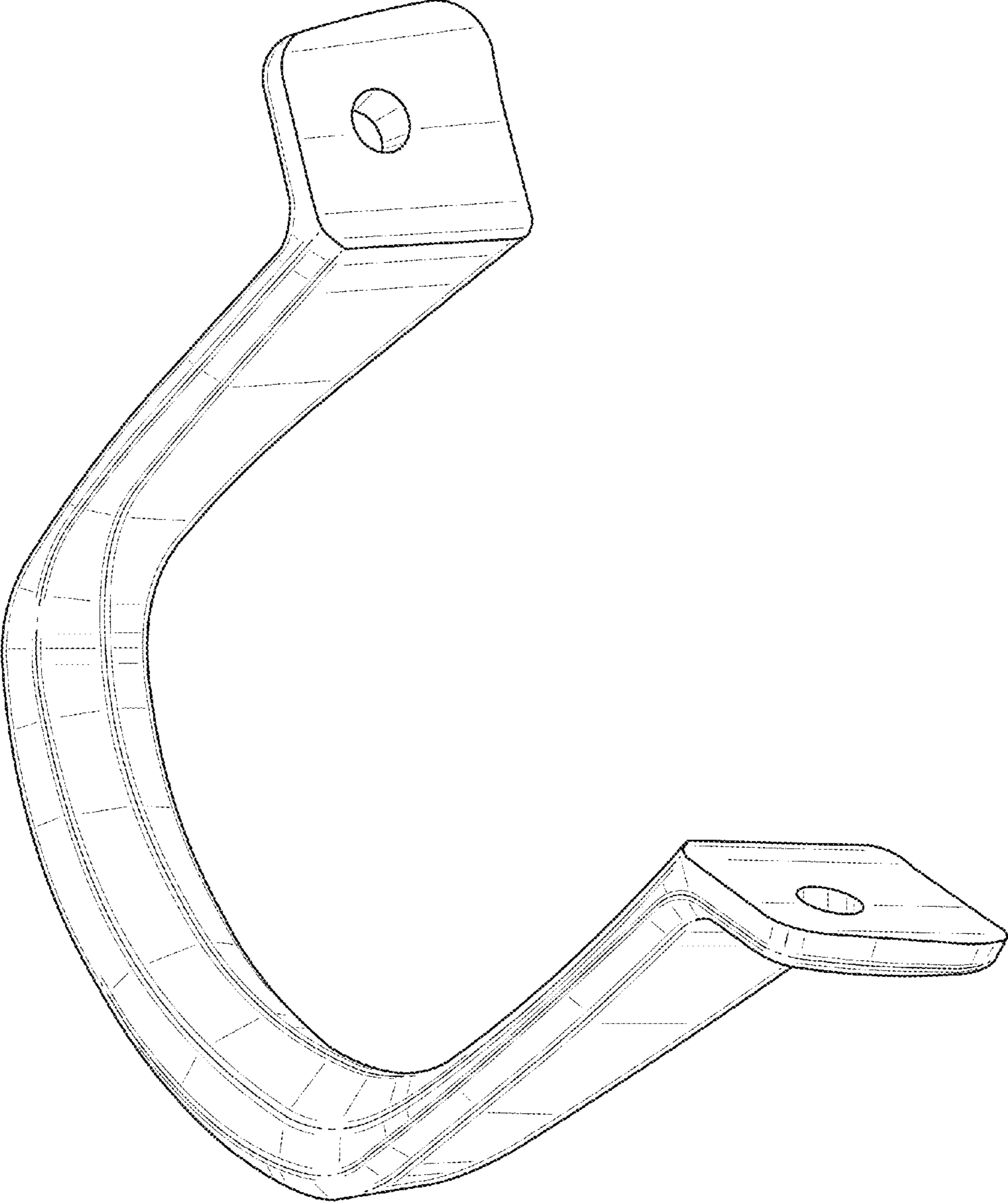


FIG. 1

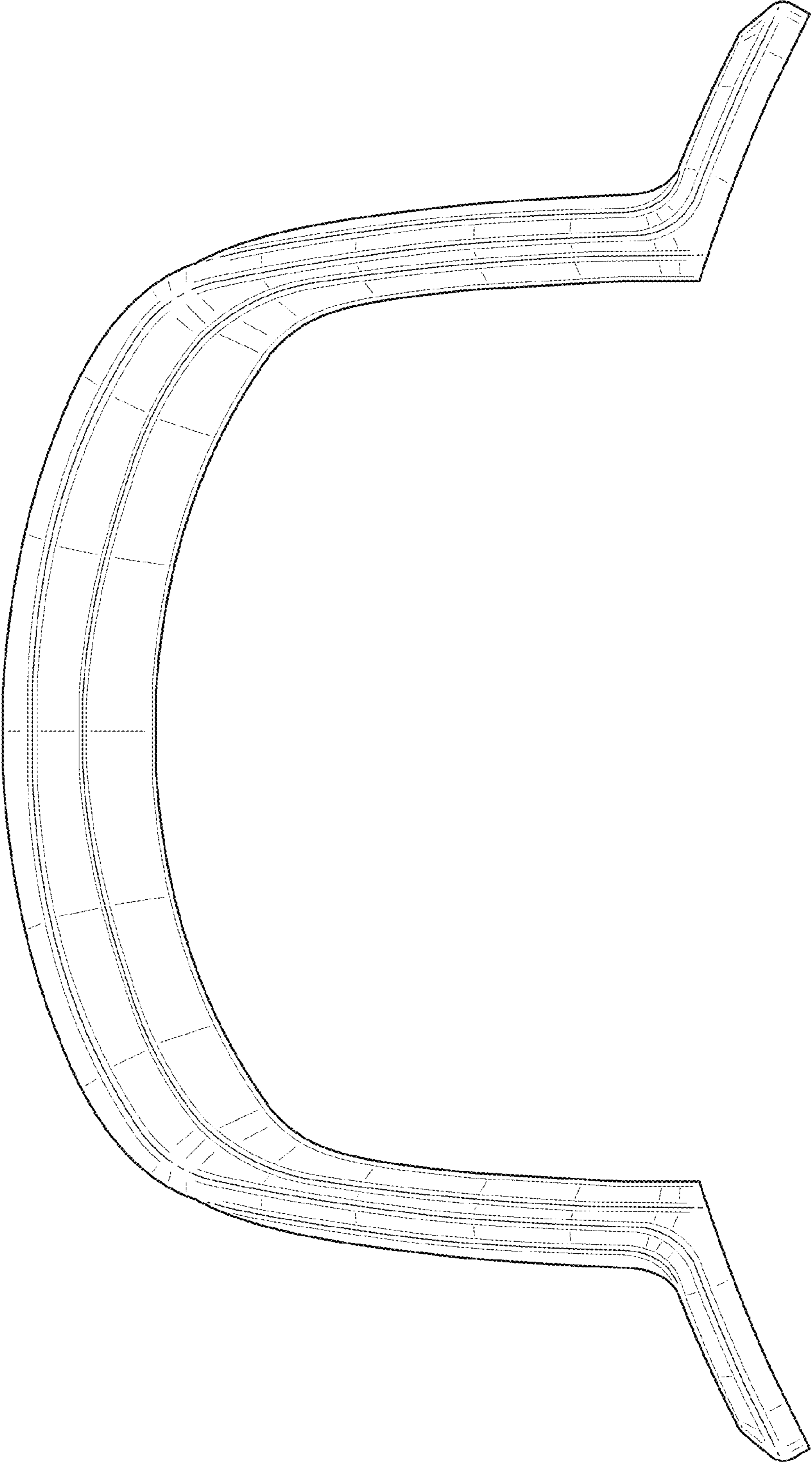


FIG. 2

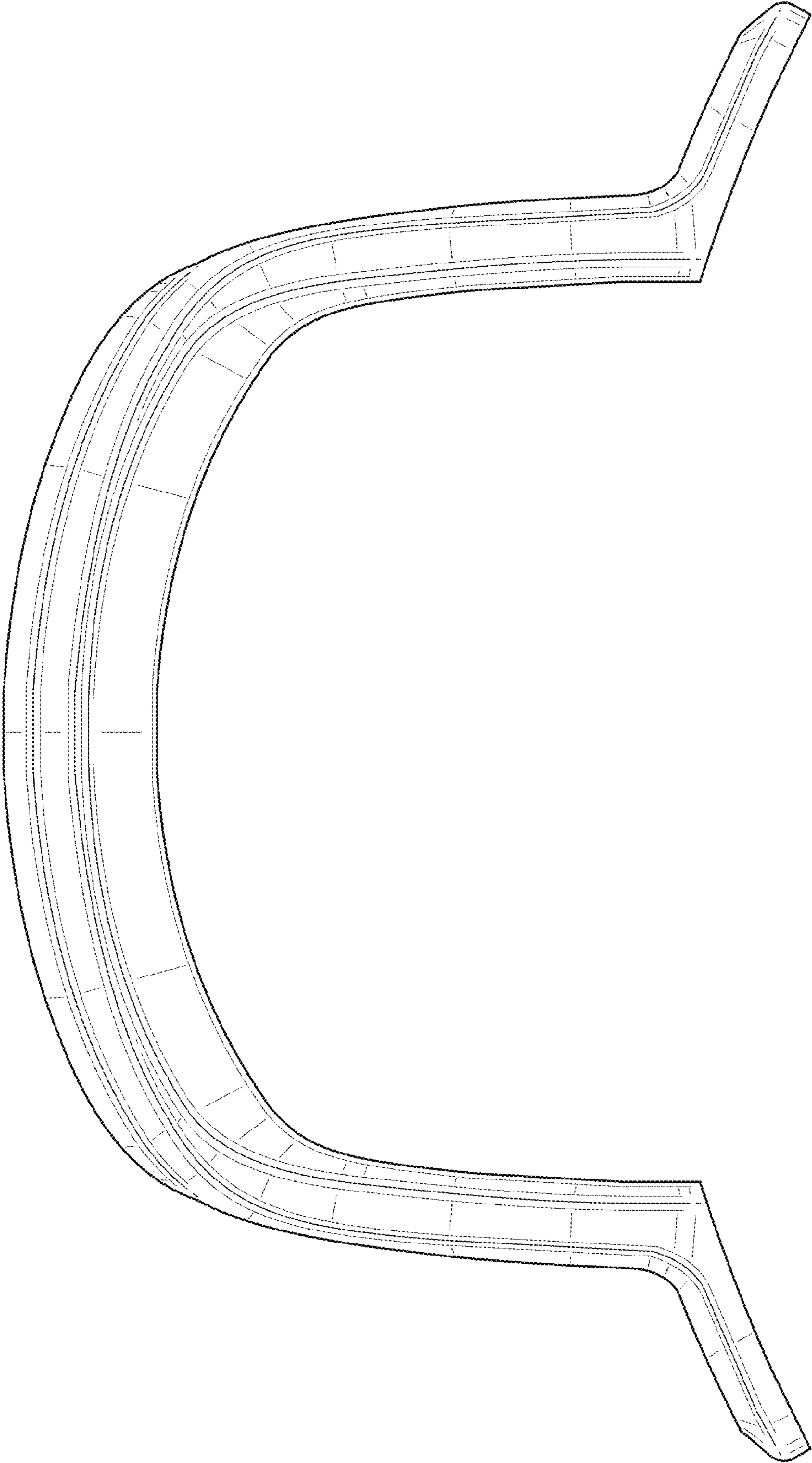


FIG. 3

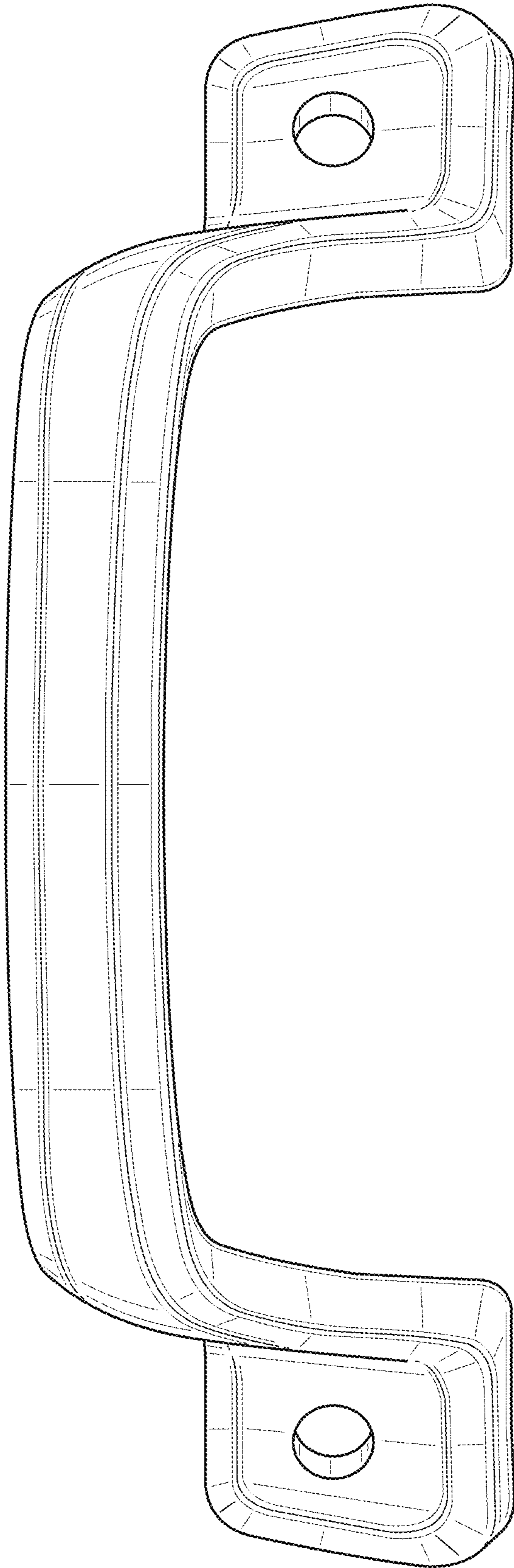


FIG. 4

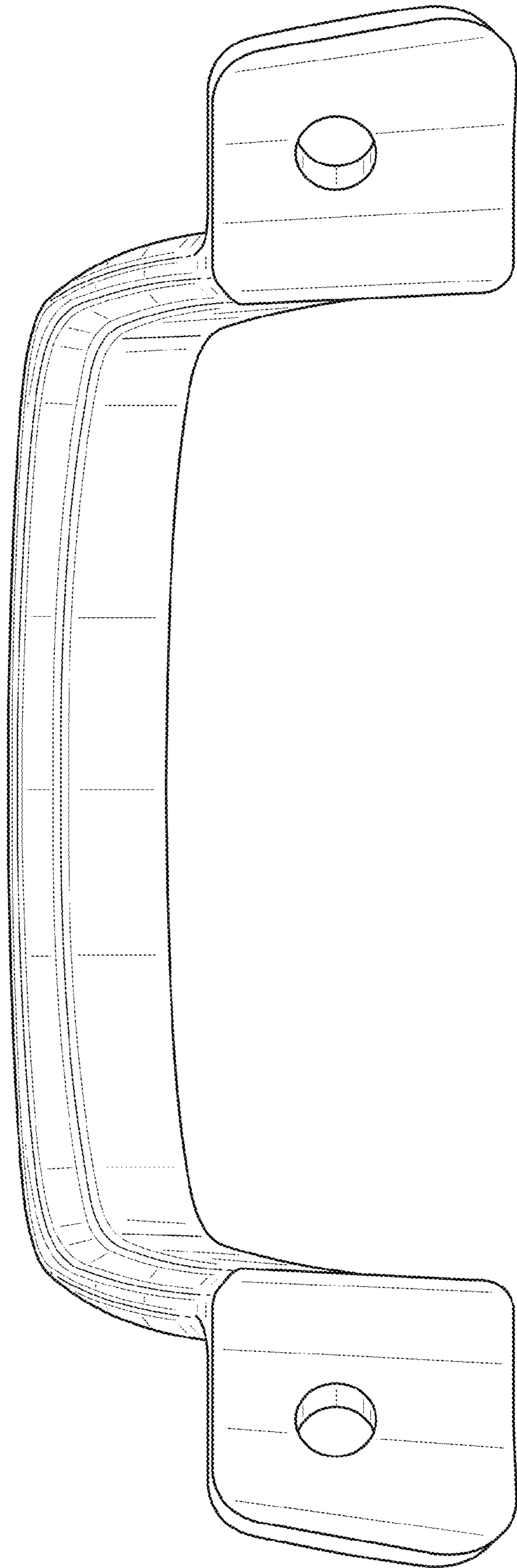


FIG. 5

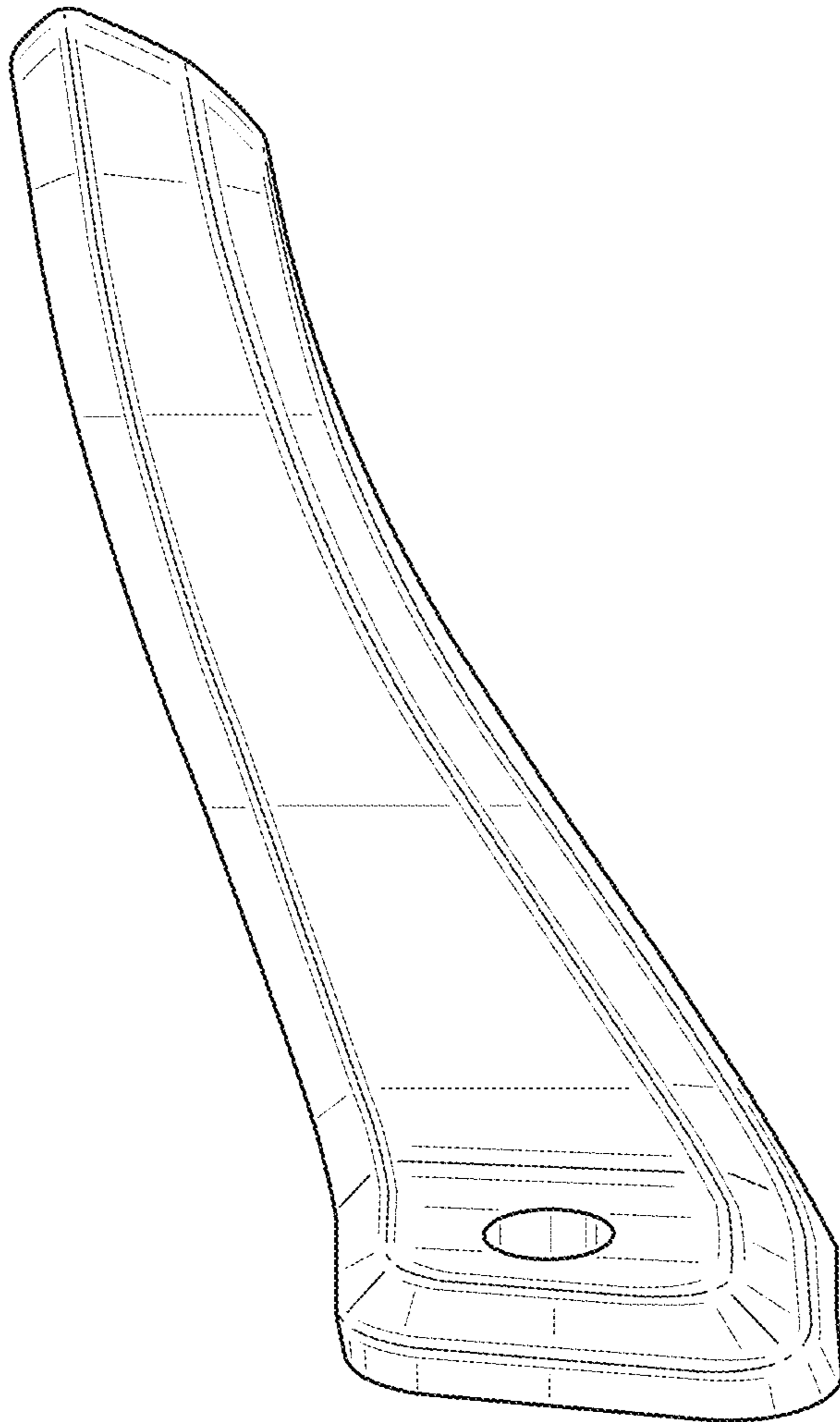


FIG. 6

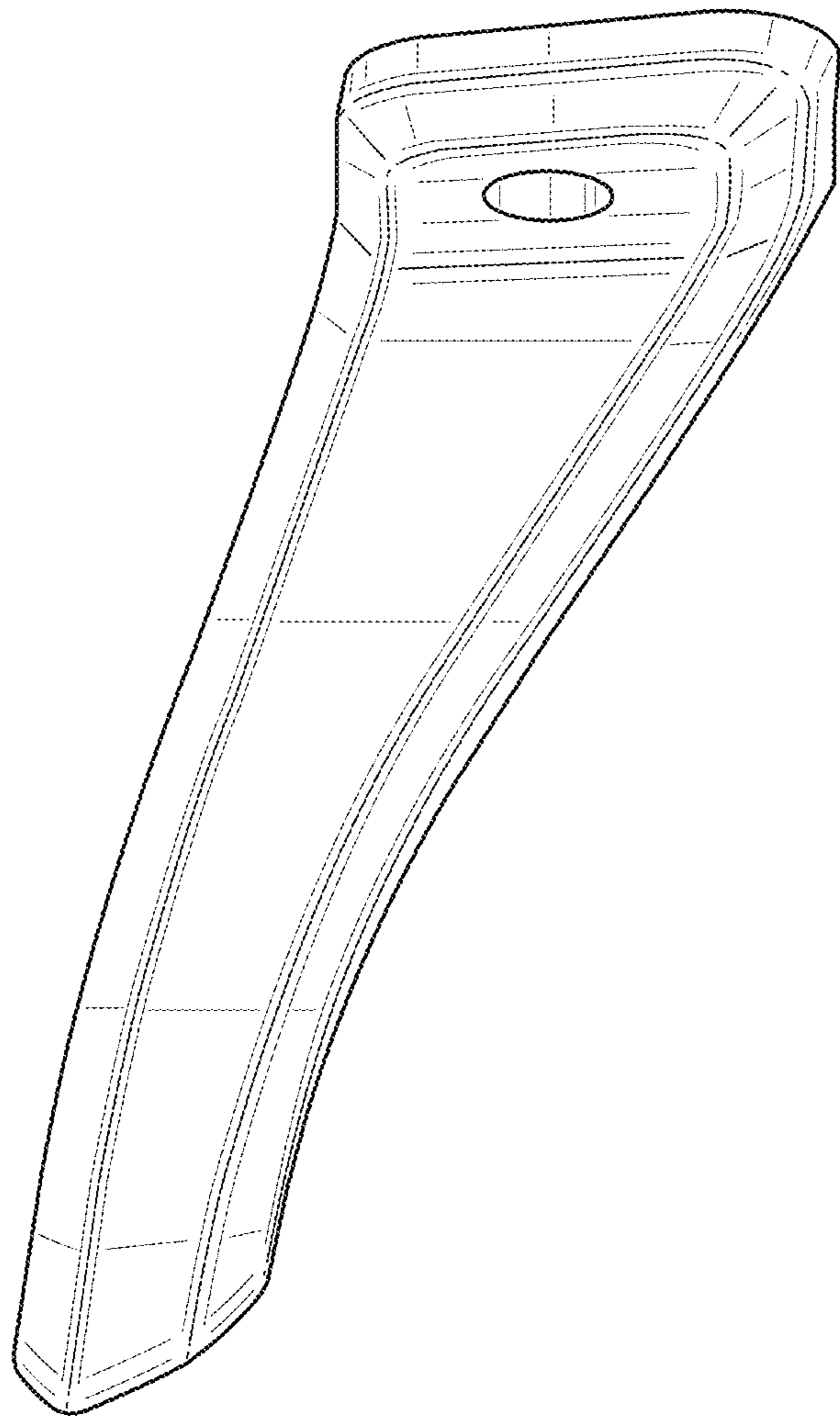


FIG. 7