



US00D749354S

(12) **United States Design Patent**
Lentine

(10) **Patent No.:** **US D749,354 S**

(45) **Date of Patent:** **** Feb. 16, 2016**

(54) **PLATE COVER**

(71) Applicant: **Lou Lentine**, Chattanooga, TN (US)

(72) Inventor: **Lou Lentine**, Chattanooga, TN (US)

(**) Term: **14 Years**

(21) Appl. No.: **29/507,758**

(22) Filed: **Oct. 30, 2014**

(51) **LOC (10) Cl.** **07-02**

(52) **U.S. Cl.**
USPC **D7/391; D7/354**

(58) **Field of Classification Search**
USPC D7/323, 354-363, 391, 392.1, 393-396,
D7/409, 610, 629

CPC A47G 19/12; A47G 19/26; A47J 27/00;
A47J 27/002; A47J 27/08; A47J 27/21;
A47J 27/58; A47J 36/025; A47J 36/06;
A47J 36/12; A47J 37/00; A47J 37/10; A47J
37/101; A47J 37/103; A47J 37/12; A47J
37/1204; A47J 45/061; A47J 45/071; A47J
45/08; B65D 43/0212; H05B 6/12

See application file for complete search history.

(56) **References Cited**

U.S. PATENT DOCUMENTS

3,066,824 A * 12/1962 Bostrom B65D 43/0212
220/315
3,470,944 A * 10/1969 Segal A47G 19/26
126/246

D233,115 S * 10/1974 Christian et al. 312/284
D254,166 S * 2/1980 Christian D7/610
D416,438 S * 11/1999 Molo D7/392
D479,952 S * 9/2003 Zimmerman D7/610
D508,378 S * 8/2005 Bertulis D7/629
D522,813 S * 6/2006 Swinford D7/610
D588,866 S * 3/2009 Ho D7/391
D609,979 S * 2/2010 Soibel D7/610
D614,453 S * 4/2010 Curtin D7/629
D641,206 S * 7/2011 Heiberg D7/378
D682,610 S * 5/2013 Carder D7/392.1

* cited by examiner

Primary Examiner — Ricky Pham

(74) *Attorney, Agent, or Firm* — Larry D. Johnson

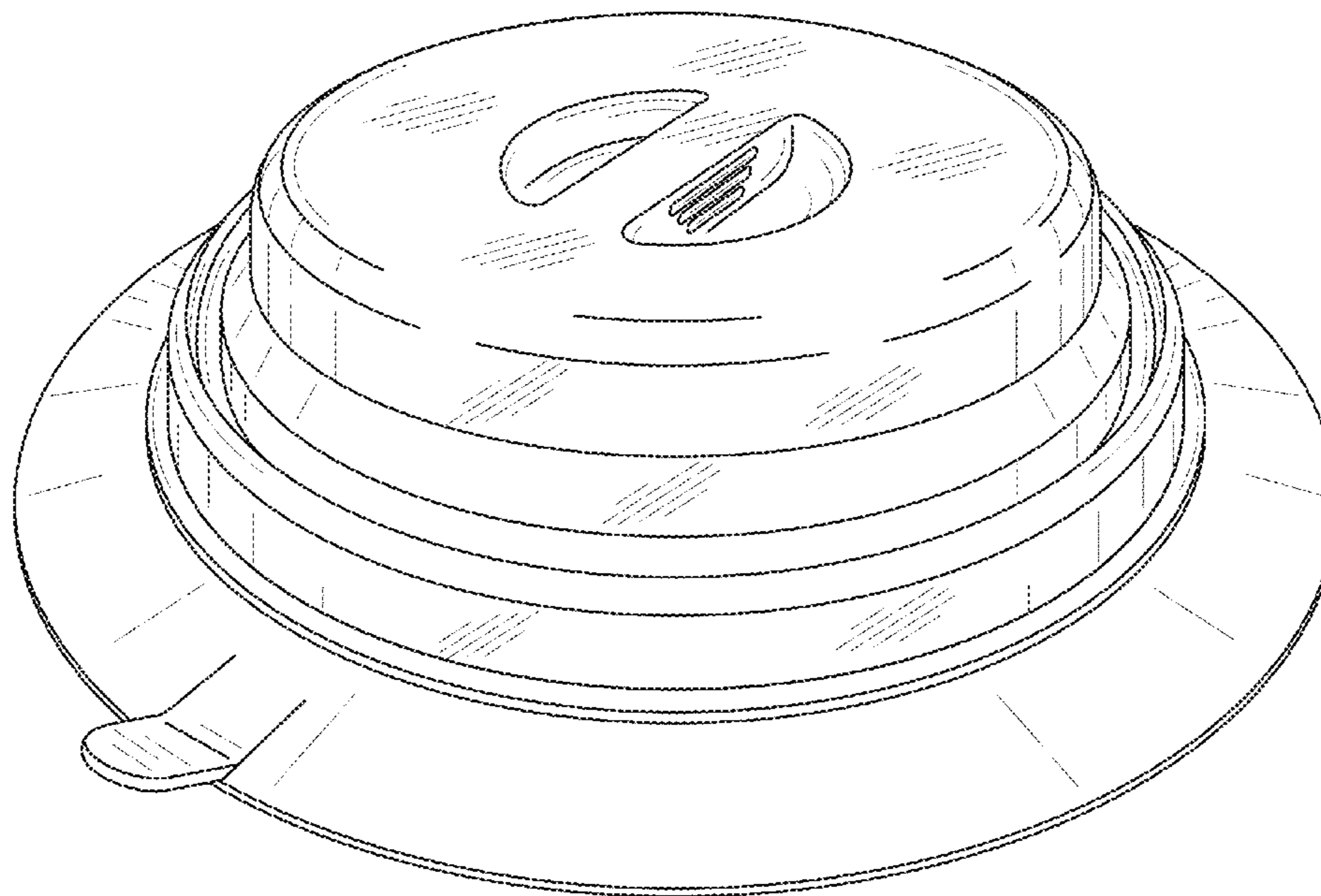
(57) **CLAIM**

The ornamental design for a plate cover, as shown and described.

DESCRIPTION

FIG. 1 is a front perspective view;
FIG. 2 is a front elevation view;
FIG. 3 is a rear elevation view;
FIG. 4 is a left side elevation view;
FIG. 5 is a right side elevation view;
FIG. 6 is a top view; and,
FIG. 7 is a bottom view.

1 Claim, 5 Drawing Sheets



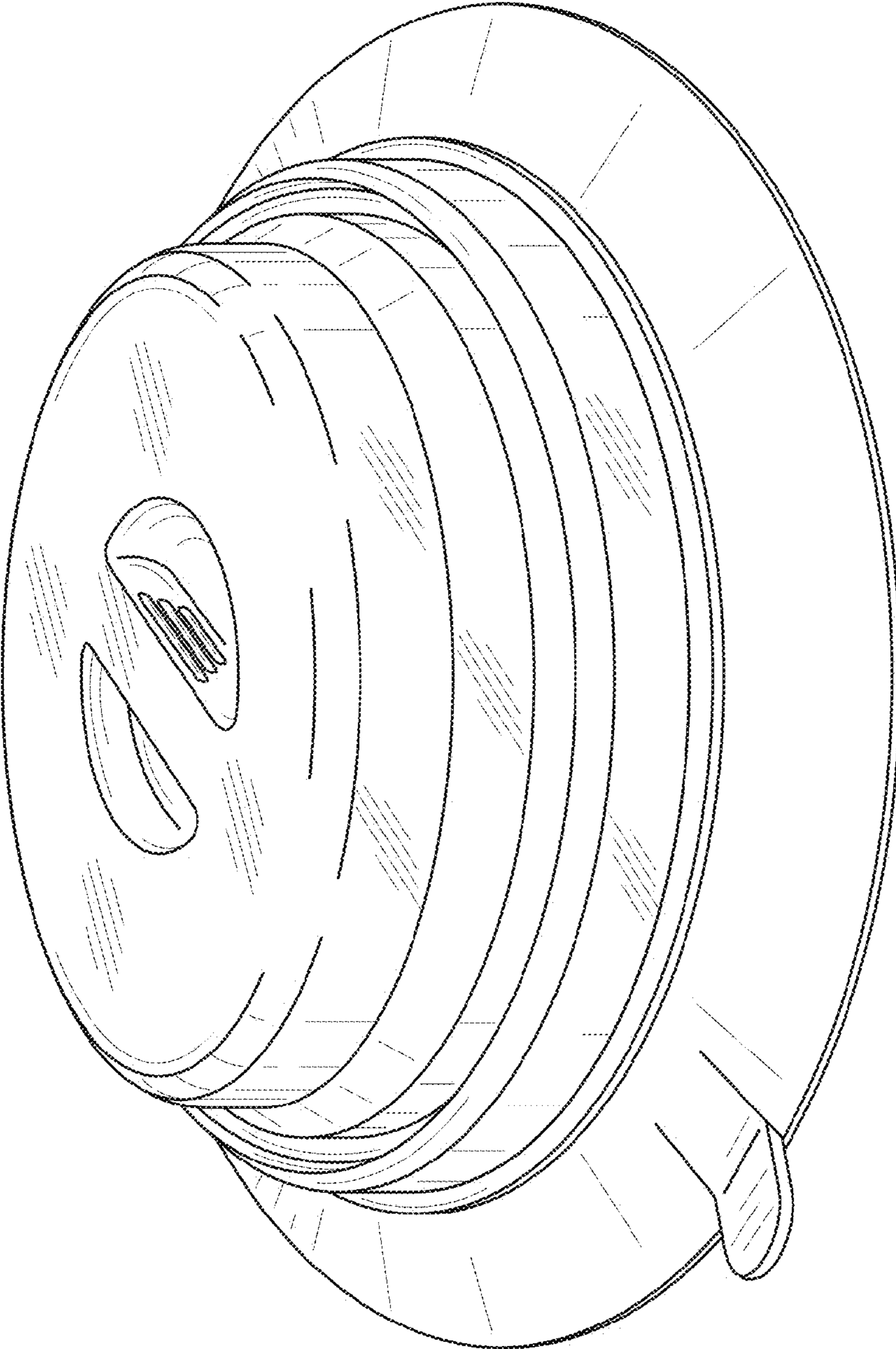


FIG. 1

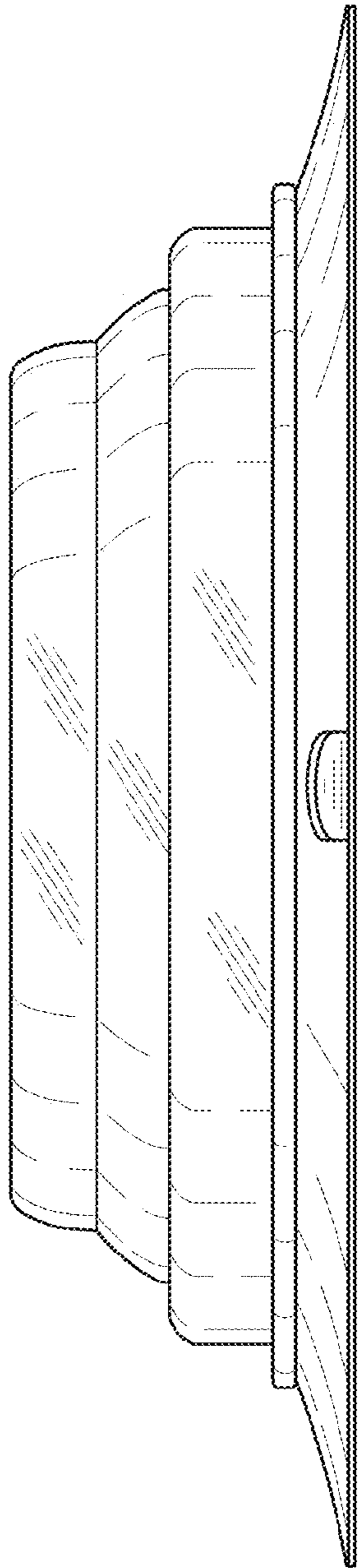


FIG. 2

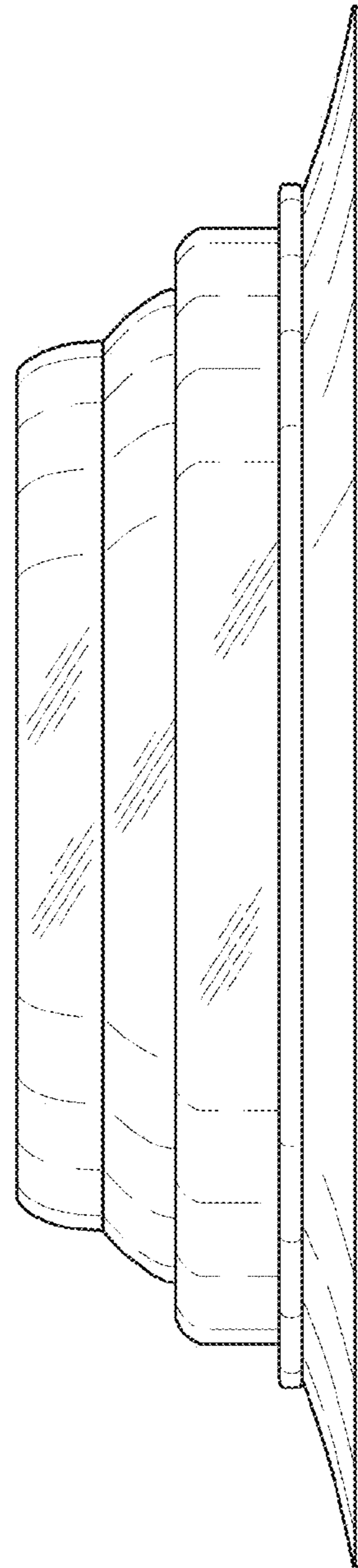


FIG. 3

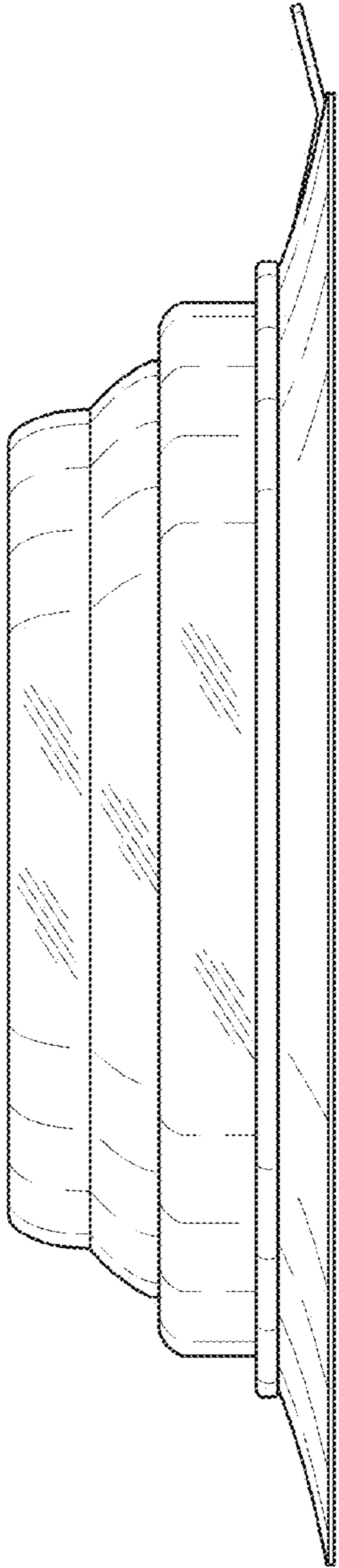


FIG. 4

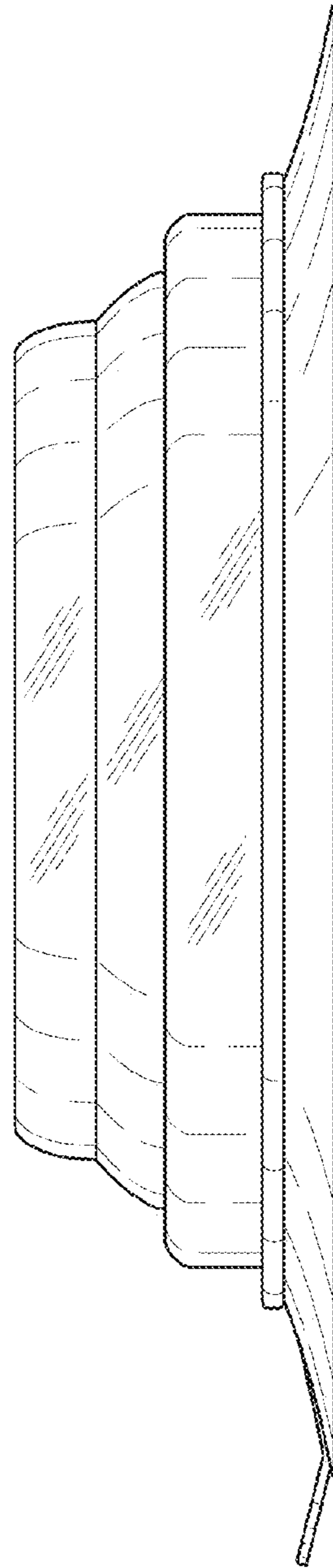


FIG. 5

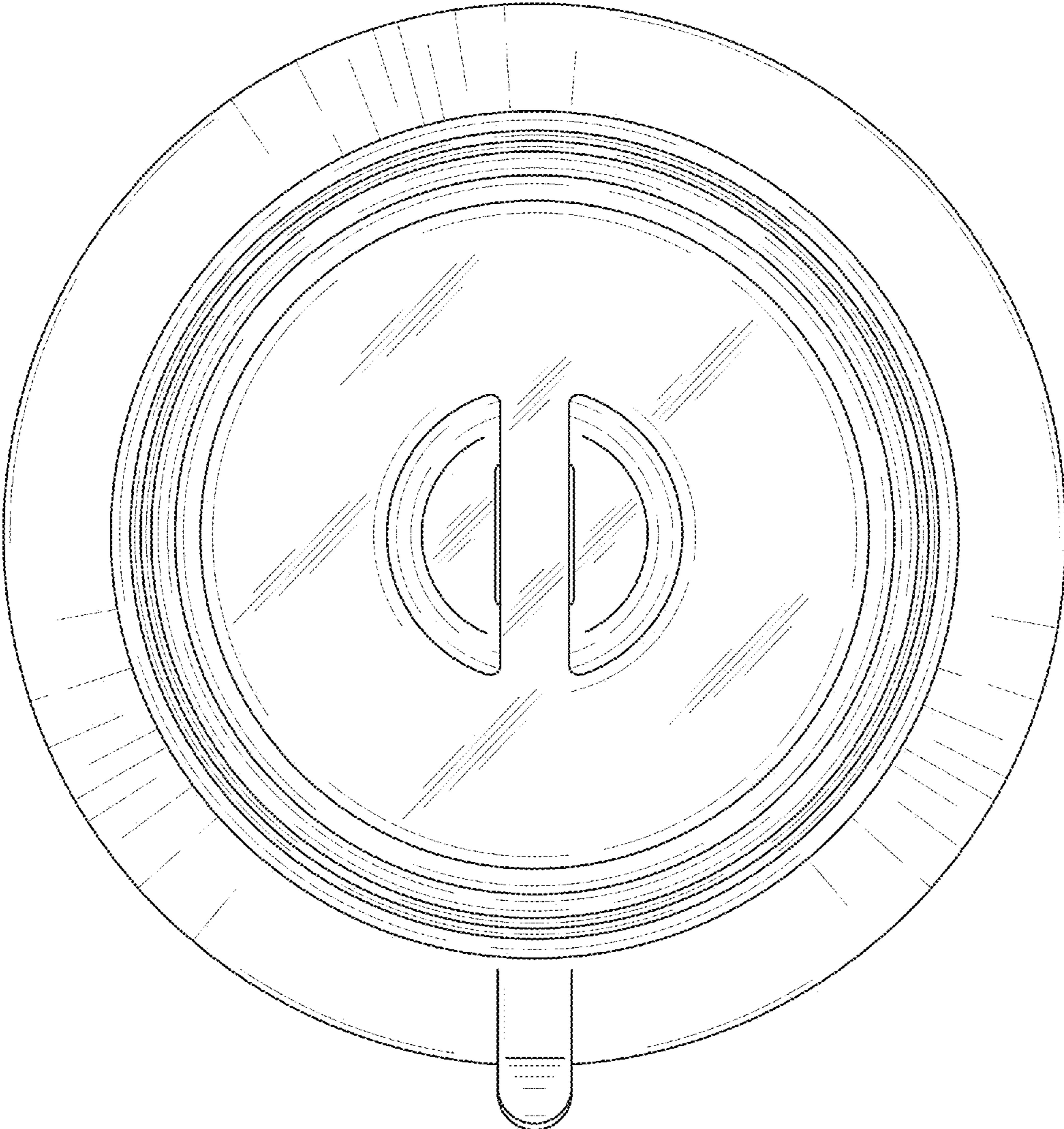


FIG. 6

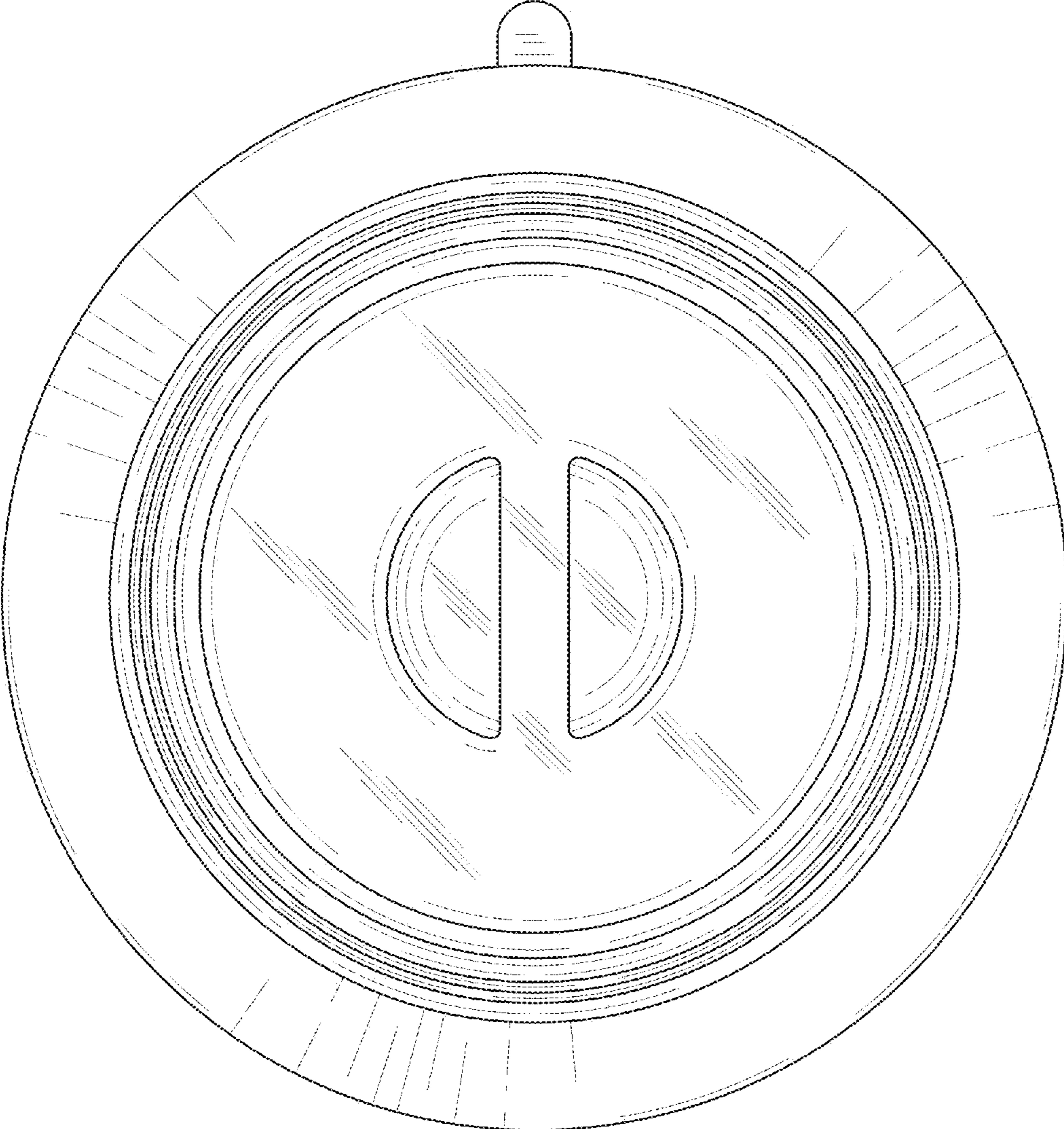


FIG. 7