



US00D749353S

(12) **United States Design Patent**
De'Longhi et al.

(10) **Patent No.:** **US D749,353 S**

(45) **Date of Patent:** **** Feb. 16, 2016**

(54) **MILK FOAMER**

(71) Applicant: **De'Longhi Appliances S.R.L. Con Unico Socio**, Treviso (IT)

(72) Inventors: **Giuseppe De'Longhi**, Treviso (IT);
Francesco Fiorotto, Roncade (IT)

(73) Assignee: **De'Longhi Appliances S.R.L. con Socio Unico**, Treviso (IT)

(**) Term: **14 Years**

(21) Appl. No.: **29/497,890**

(22) Filed: **Jul. 29, 2014**

(30) **Foreign Application Priority Data**

Jan. 30, 2014 (EM) 2395749-0005

(51) **LOC (10) Cl.** **31-00**

(52) **U.S. Cl.**
USPC **D7/376**

(58) **Field of Classification Search**

USPC D7/317-319, 372, 376-386, 412-413,
D7/602, 629, 665-666, 669, 679, 693-694
CPC A21C 1/02; A21C 1/04; A23N 1/00;
A23N 1/02; A47J 43/04; A47J 43/25; A47J
43/27; A47J 43/042; A47J 43/044; A47J
43/046; A47J 43/075; A47J 43/0722; A47J
43/0727; B01F 3/00; B01F 3/0807; B01F
3/0853; B01F 13/0059; B01F 13/0064;
B02C 1/08; B02C 2/04; B02C 4/42; B02C
4/142; B02C 4/143; B02C 4/423; B02C
13/1835; B28C 5/10; B28C 5/12; B28C 5/14;
B28C 5/16

See application file for complete search history.

(56) **References Cited**

U.S. PATENT DOCUMENTS

D475,233	S	*	6/2003	De Visser	D7/317
D527,940	S	*	9/2006	Cohen	D7/317
D586,172	S	*	2/2009	Brizio	D7/317
D592,446	S	*	5/2009	Berlencourt	D7/376
D602,304	S	*	10/2009	Elissen	D7/317
D603,647	S	*	11/2009	Bodum	D7/317
D607,685	S	*	1/2010	Elissen	D7/317
D613,988	S	*	4/2010	Lane	D7/317
D628,008	S	*	11/2010	Dahlstrom	D7/317
D630,463	S	*	1/2011	Picozza	D7/317
D630,882	S	*	1/2011	Cohen	D7/317
D646,522	S	*	10/2011	Collinson	D7/376
D731,226	S	*	6/2015	Sun	D7/316

* cited by examiner

Primary Examiner — Ricky Pham

(74) *Attorney, Agent, or Firm* — Flaster Greenberg P.C.

(57) **CLAIM**

The ornamental design for a milk foamer, as shown and described.

DESCRIPTION

FIG. 1 is a perspective view of a milk foamer;
FIG. 2 is a front evaluational view of the milk foamer of FIG. 1;
FIG. 3 is a rear elevational view of the milk foamer of FIG. 1;
FIG. 4 is a left side view of the milk foamer of FIG. 1;
FIG. 5 is a right side elevational view of the milk foamer of FIG. 1;
FIG. 6 is a top plan view of the milk foamer of FIG. 1;
FIG. 7 is a bottom plan view of the milk foamer of FIG. 1; and,
FIG. 8 is an alternative perspective view of the milk foamer of FIG. 1.

1 Claim, 8 Drawing Sheets

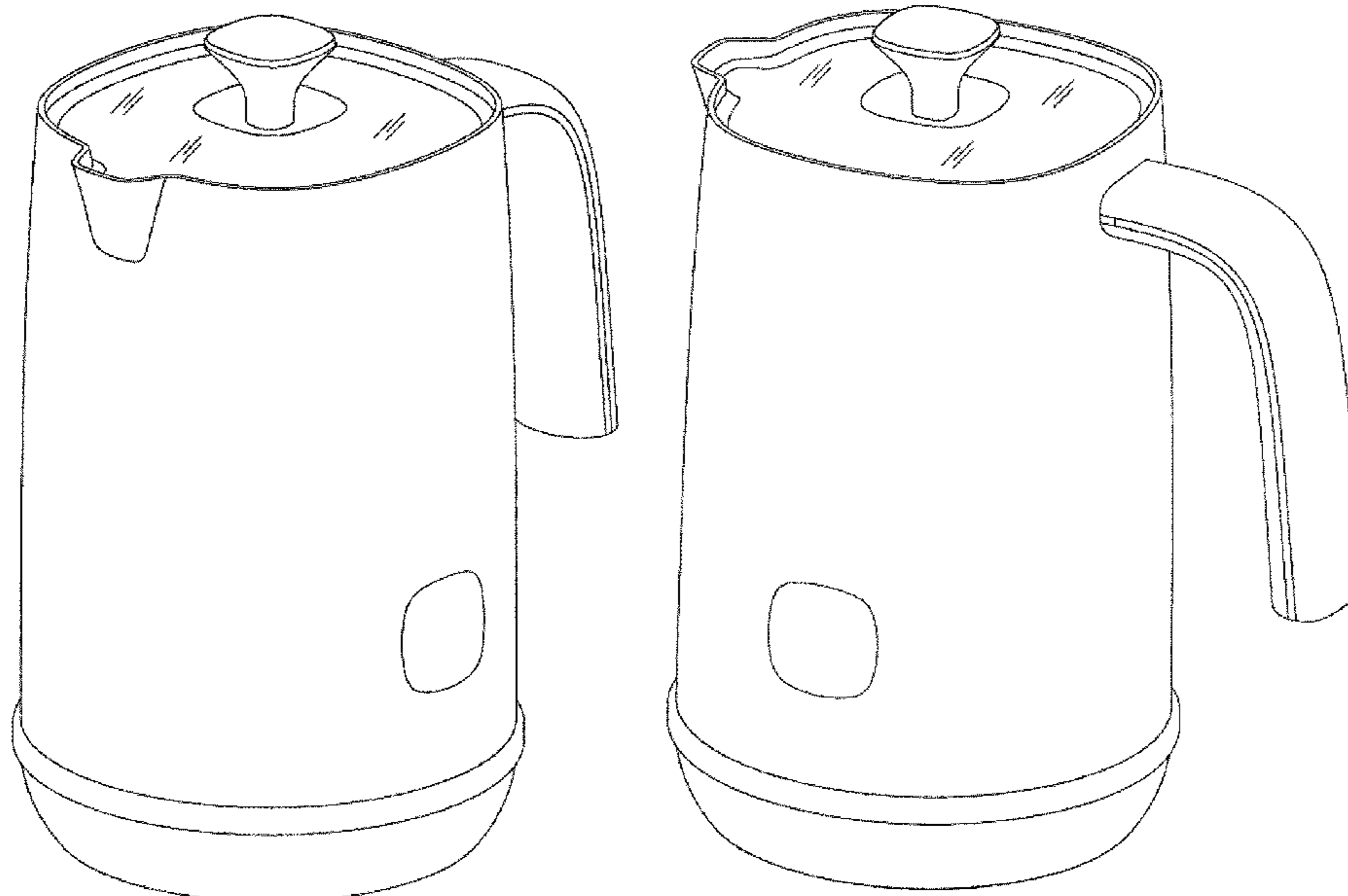


Fig. 1

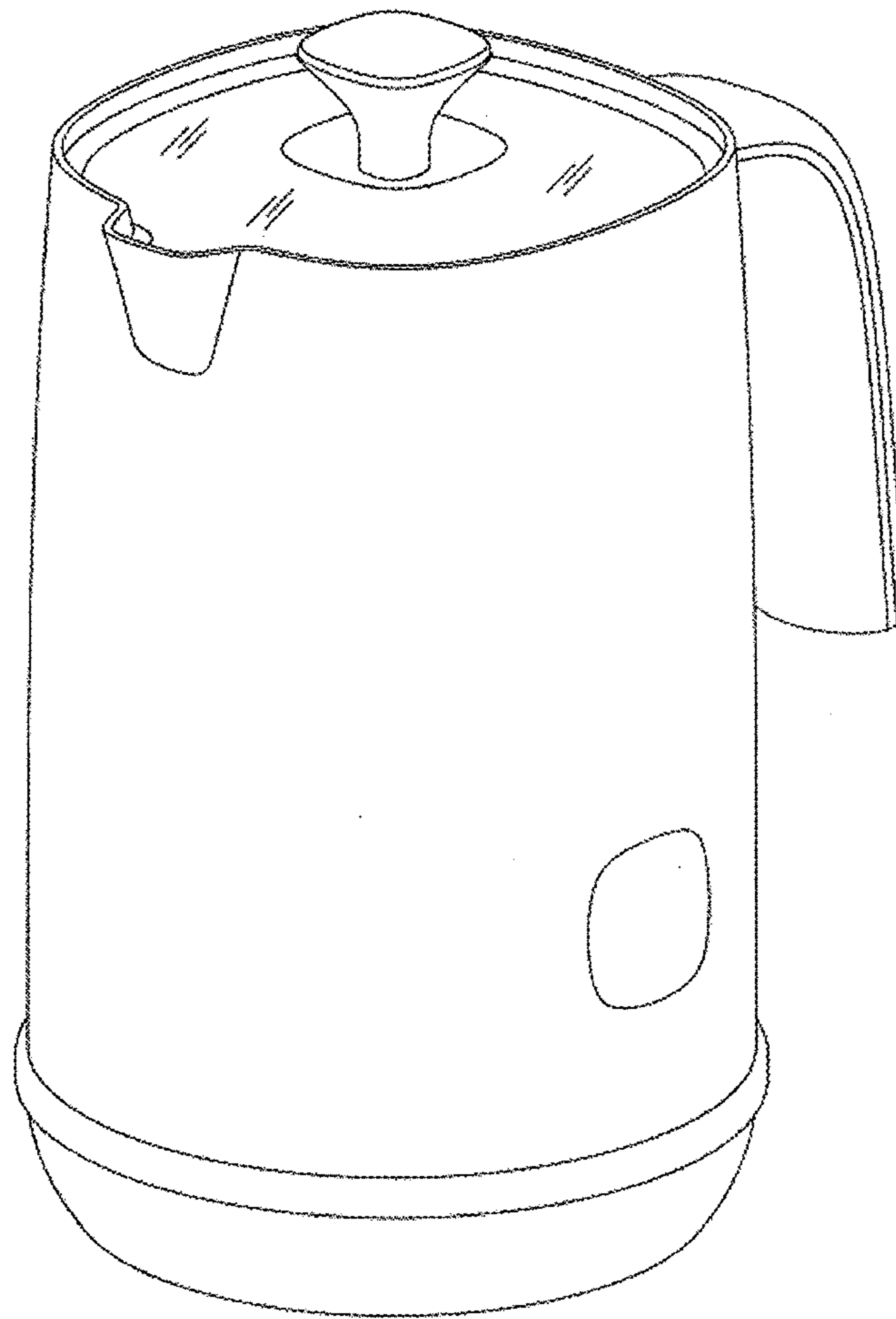


Fig. 2

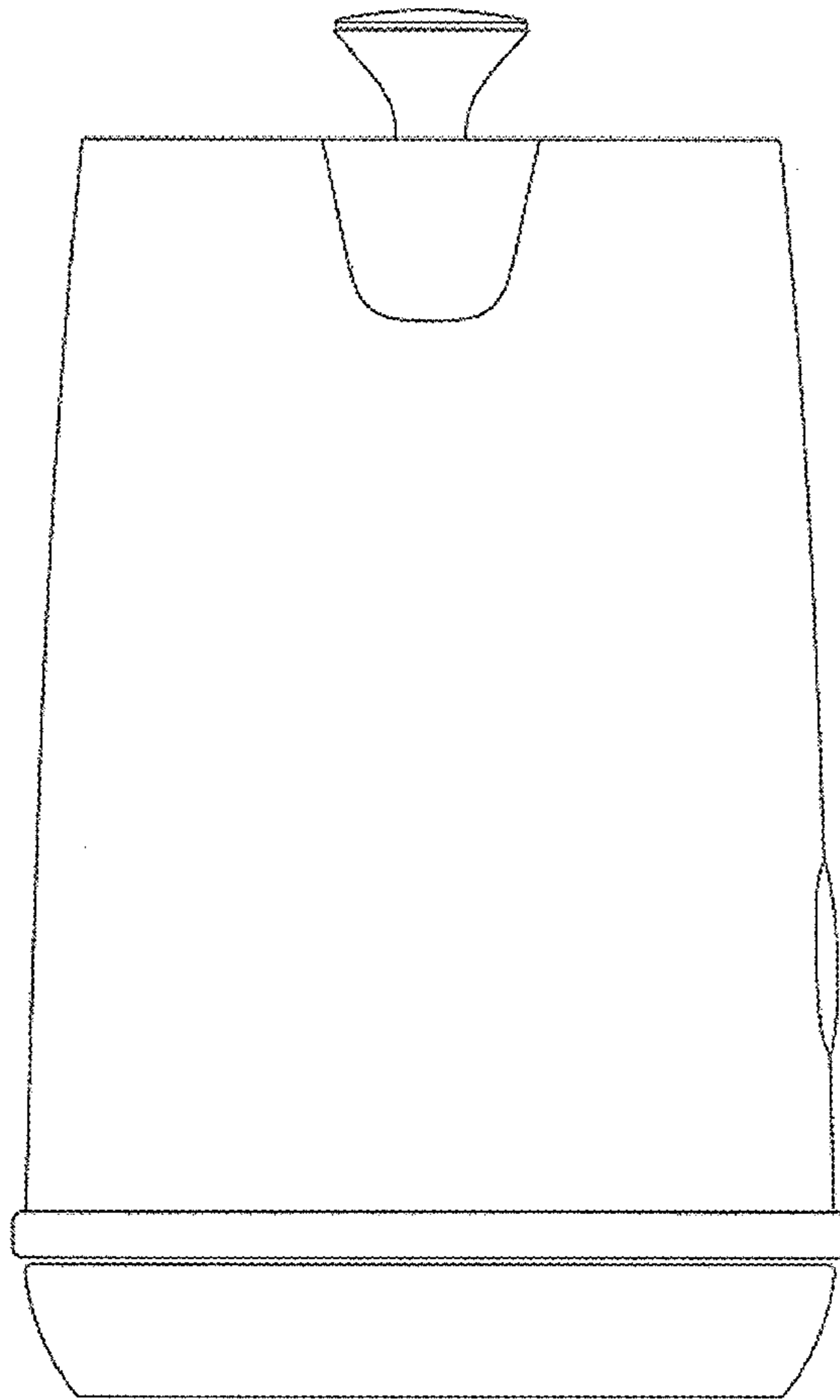


Fig. 3

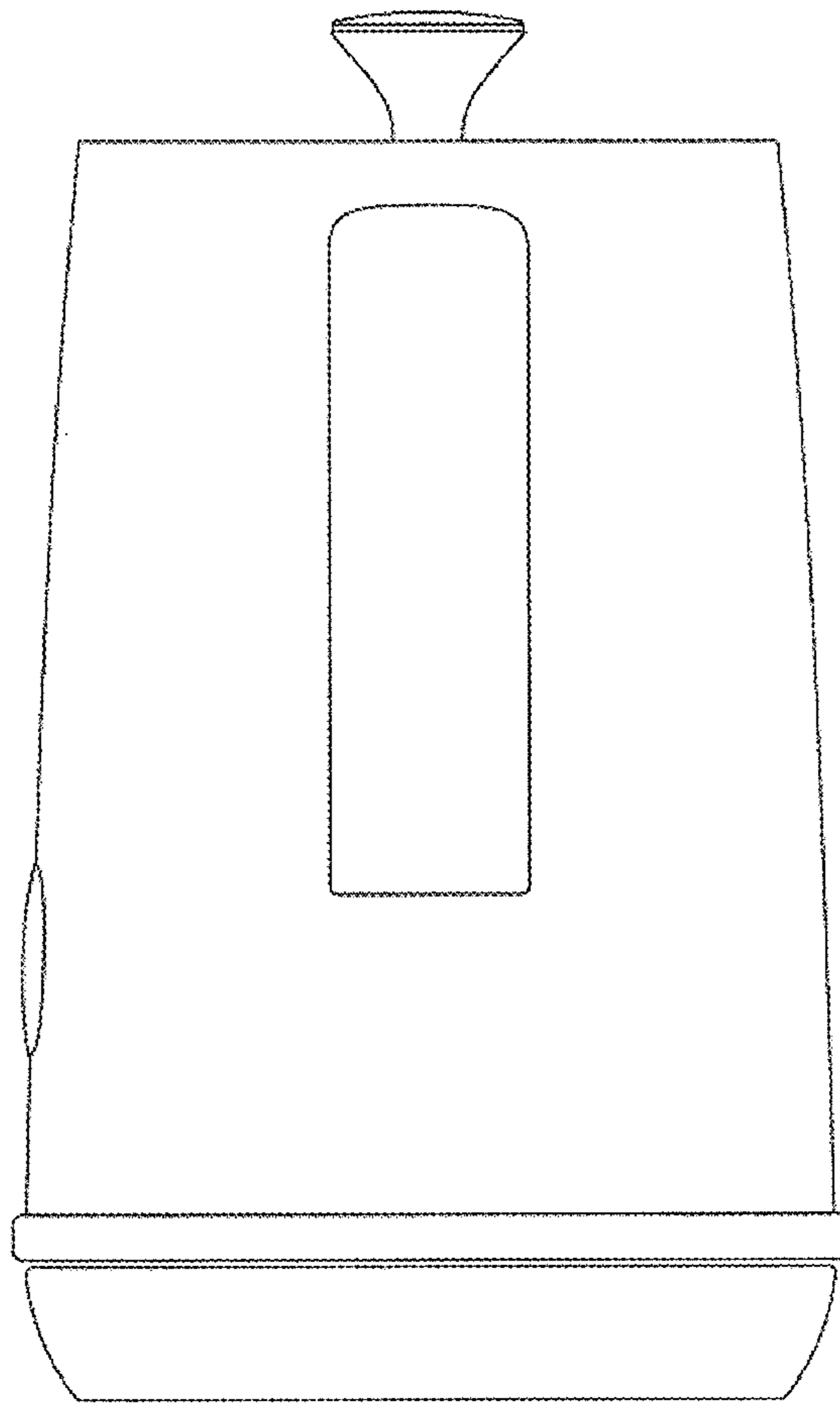


Fig. 4

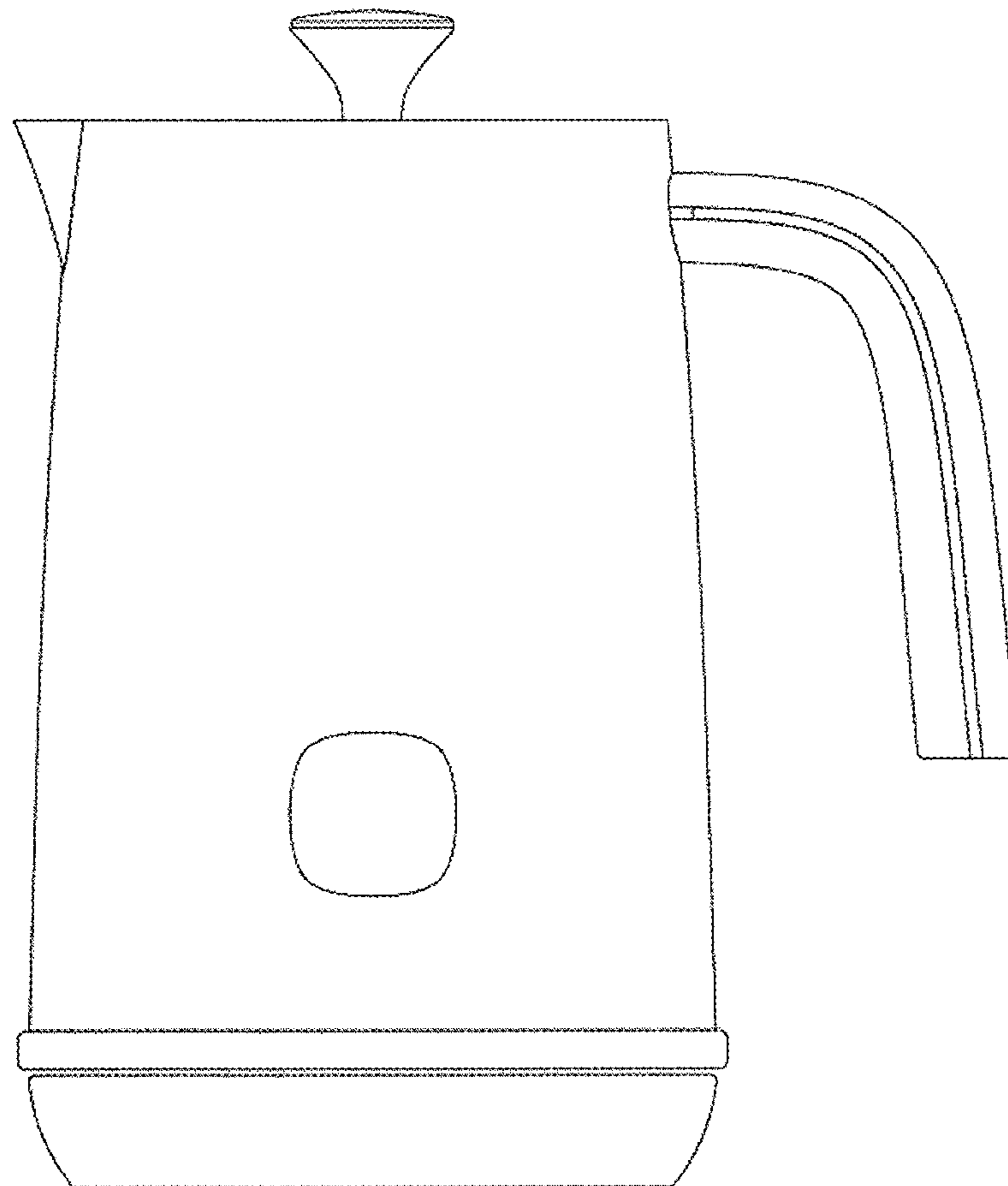


Fig. 5

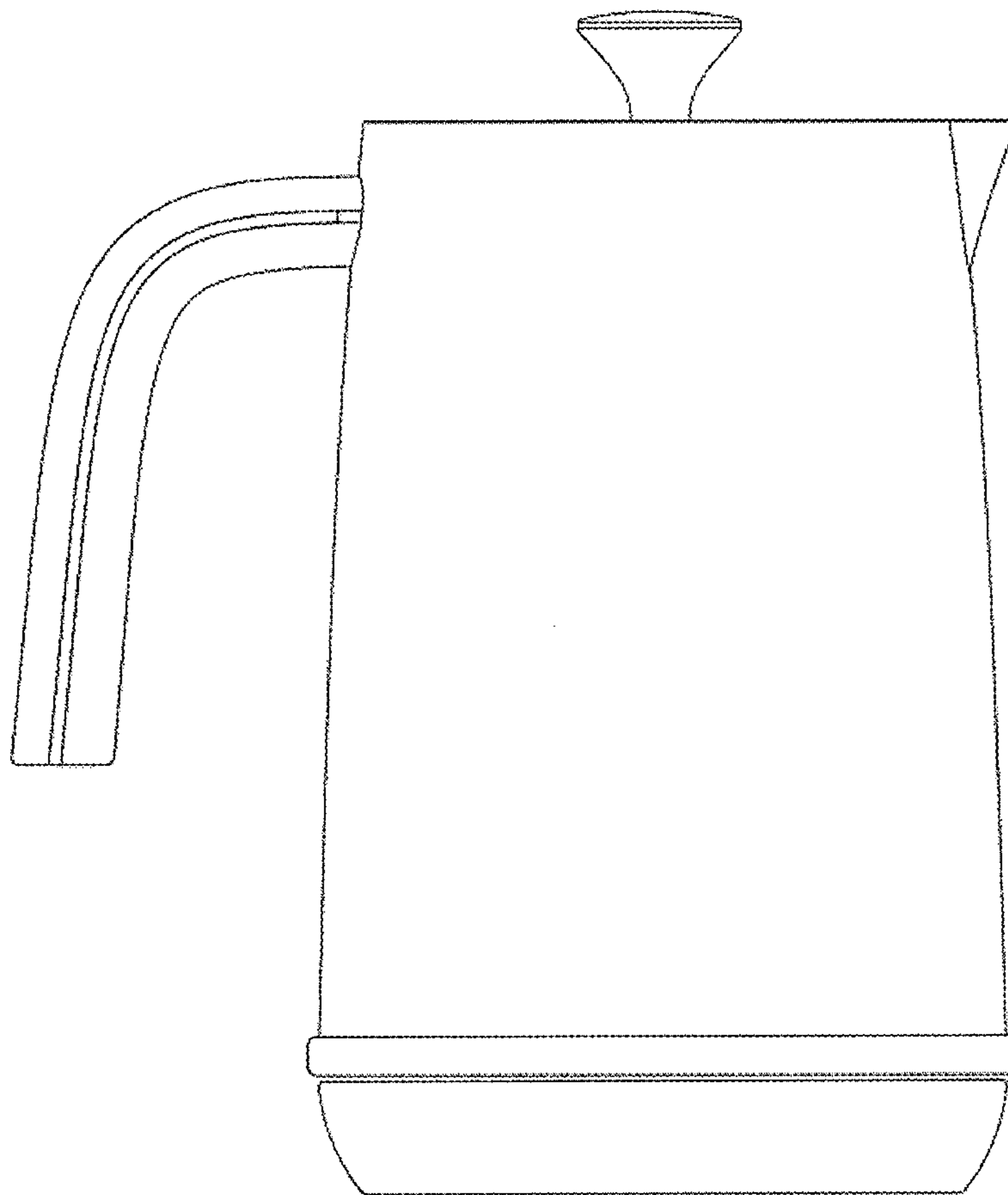


Fig. 6

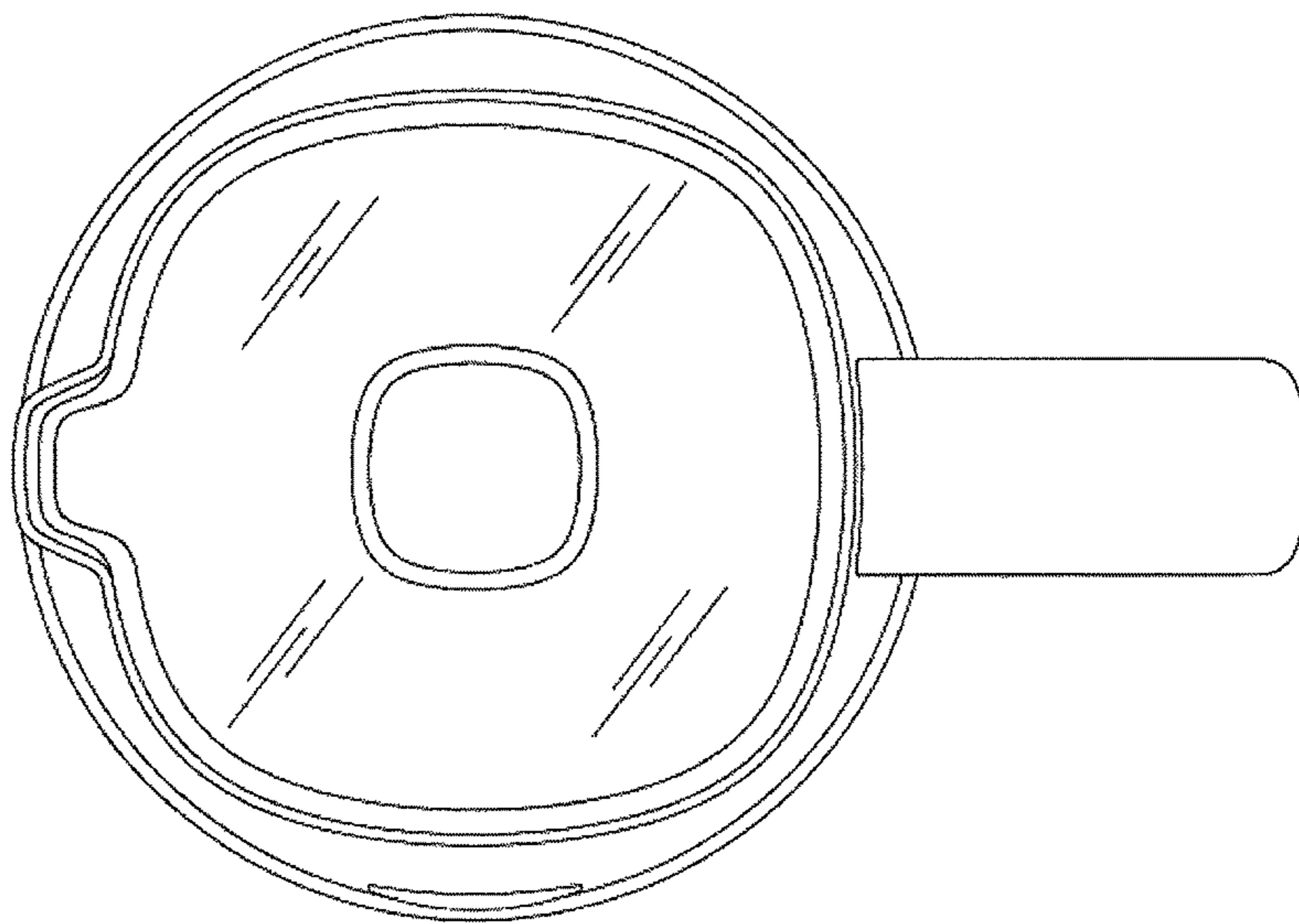


Fig. 7

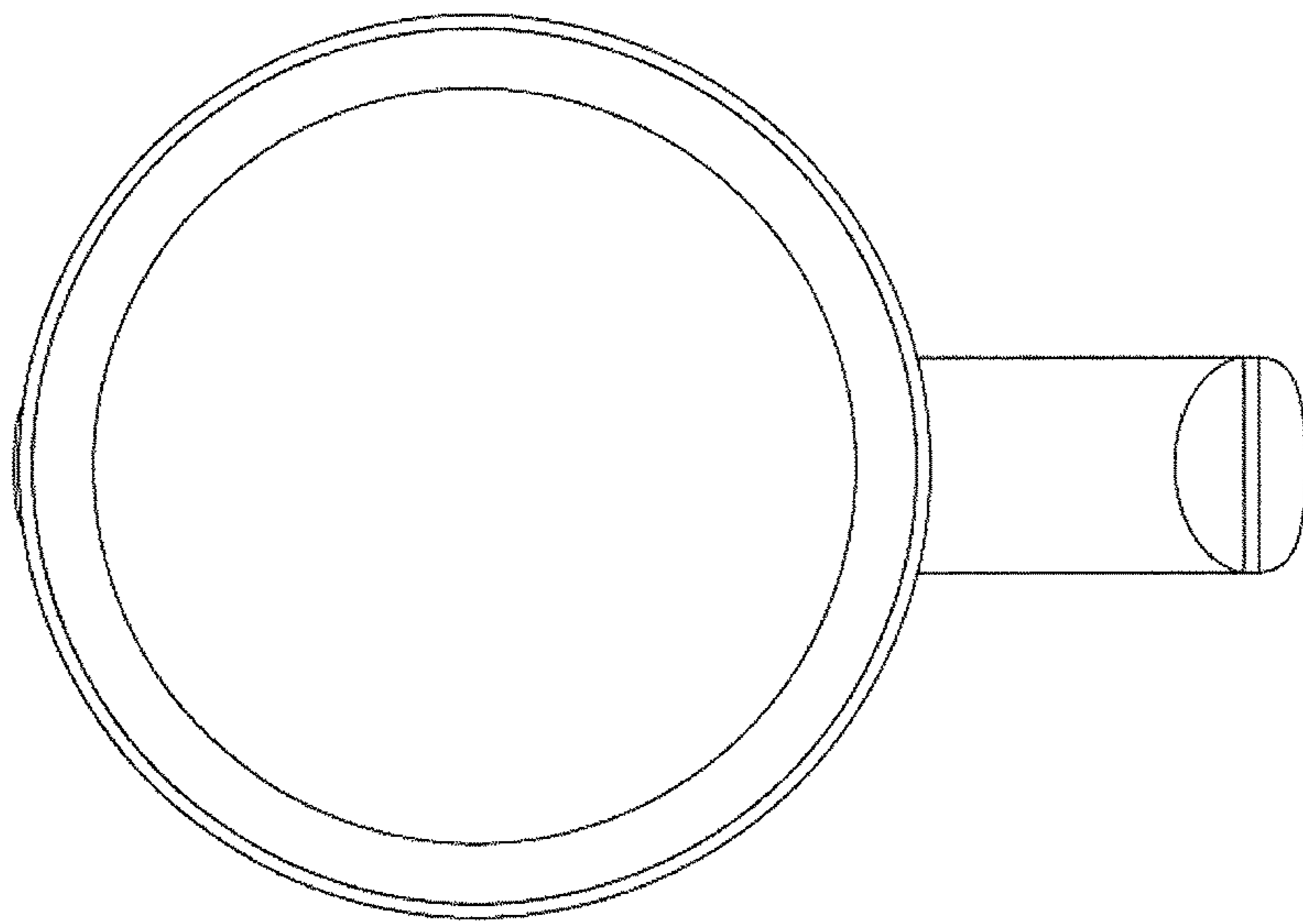


Fig. 8

