



US00D749352S

(12) **United States Design Patent**  
**Saber**

(10) **Patent No.:** **US D749,352 S**

(45) **Date of Patent:** **\*\* Feb. 16, 2016**

(54) **DEVICE FOR MAKING INSTANT JELLY**

(71) Applicant: **Chill Factor Global Pty Ltd,**  
Chadstone, Victoria (AU)

(72) Inventor: **Heath Saber,** Malvern (AU)

(73) Assignee: **Chill Factor Global Pty Ltd,**  
Chadstone, Victoria (AU)

(\*\*) Term: **14 Years**

(21) Appl. No.: **29/494,219**

(22) Filed: **Jun. 18, 2014**

(30) **Foreign Application Priority Data**

Dec. 18, 2013 (AU) ..... 16632/2013

(51) **LOC (10) CL.** ..... **31-00**

(52) **U.S. CL.**  
USPC ..... **D7/376**

(58) **Field of Classification Search**  
USPC ..... D7/300.1, 372, 376-386, 391, 412-413,  
D7/510, 597, 602, 612, 628-629, 665-666,  
D7/669, 679, 693-694; D9/428, 435, 503  
CPC ..... A21C 1/02; A21C 1/04; A23N 1/00;  
A23N 1/02; A47J 43/04; A47J 43/25; A47J  
43/27; A47J 43/042; A47J 43/044; A47J  
43/046; A47J 43/075; A47J 43/0722; A47J  
43/0727; B01F 3/00; B01F 3/0807; B01F  
3/0853; B01F 13/0059; B01F 13/0064;  
B02C 1/08; B02C 2/04; B02C 4/42; B02C  
4/142; B02C 4/143; B02C 4/423; B02C  
13/1835; B28C 5/10; B28C 5/12; B28C 5/14;  
B28C 5/16; B65D 43/0212; B65D 81/3211

See application file for complete search history.

(56) **References Cited**

U.S. PATENT DOCUMENTS

D233,116	S	*	10/1974	Swett	.....	D7/300.1
D243,069	S	*	1/1977	Igelman	.....	D9/428
4,003,555	A	*	1/1977	Swartz	.....	A47J 43/27 220/568
4,508,235	A	*	4/1985	Steele	.....	B65D 43/0212 215/307
D507,723	S	*	7/2005	Bodum	.....	D7/510
D517,869	S	*	3/2006	Graves	.....	D7/300.1
D641,631	S	*	7/2011	Kawahara	.....	D7/510
D677,978	S	*	3/2013	Evans	.....	D7/391
D692,276	S	*	10/2013	Cetera	.....	D7/510
D699,571	S	*	2/2014	Zomorodi	.....	D9/435
8,646,966	B2	*	2/2014	Marino	.....	B65D 81/3211 206/222
D724,389	S	*	3/2015	Yip	.....	D7/628
2004/0066705	A1	*	4/2004	Linz	.....	A47J 43/27 366/130

\* cited by examiner

*Primary Examiner* — Ricky Pham

(74) *Attorney, Agent, or Firm* — Panitch Schwarze Belisario & Nadel LLP

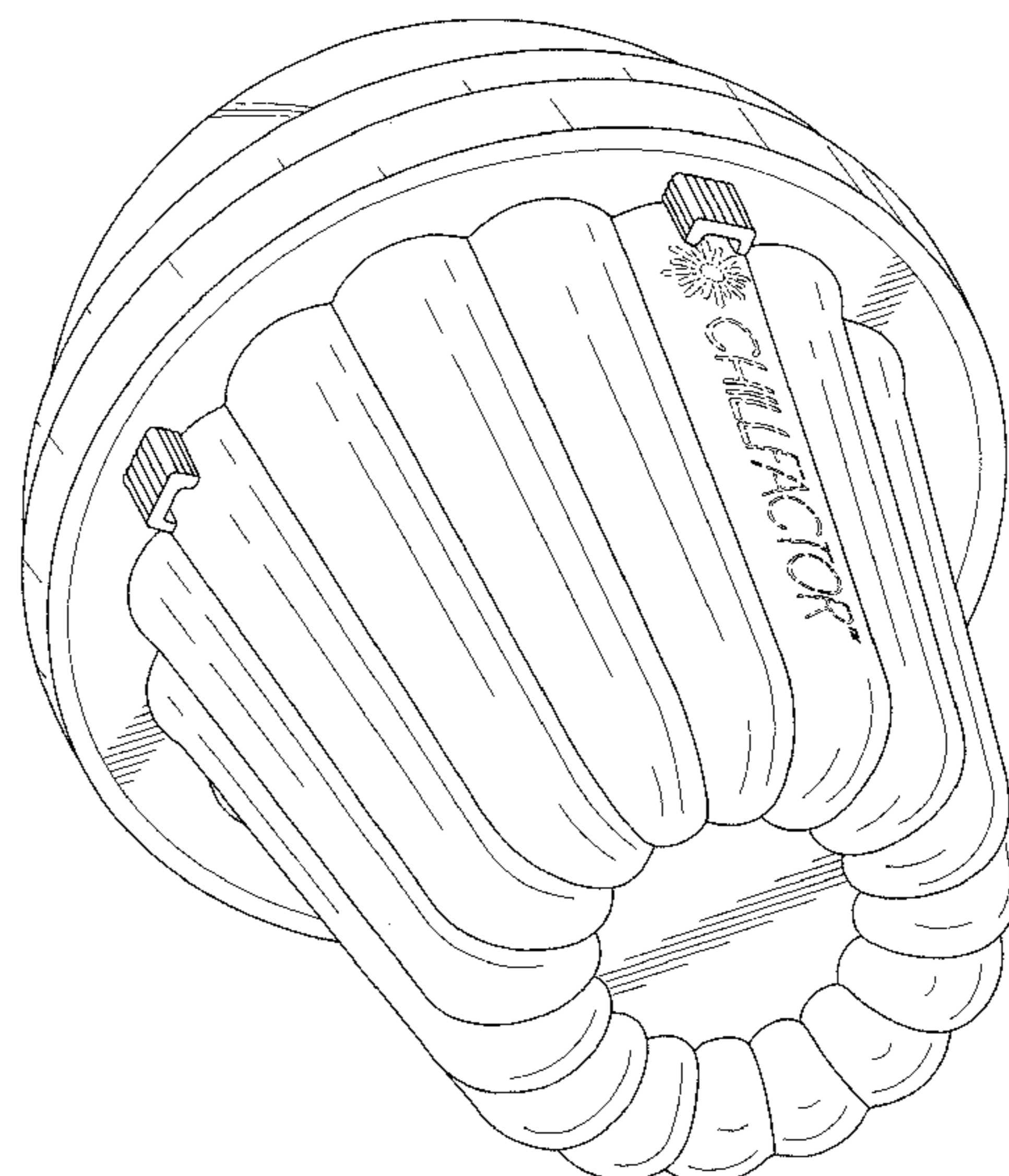
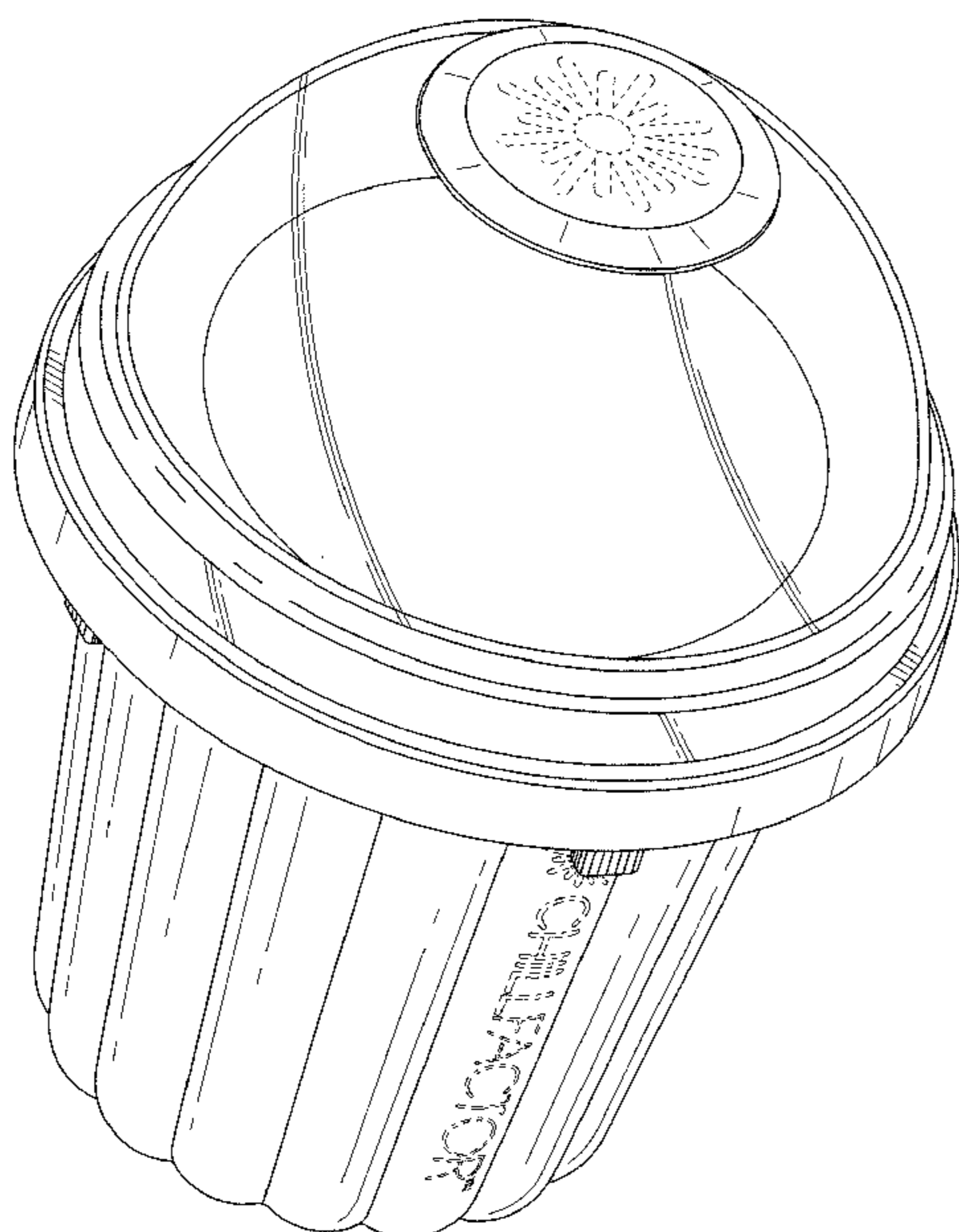
(57) **CLAIM**

The ornamental design for a device for making instant jelly, as shown and described.

**DESCRIPTION**

FIG. 1 is a top view showing the design;  
FIG. 2 is a front view thereof;  
FIG. 3 is a bottom view thereof;  
FIG. 4 is top perspective view thereof; and,  
FIG. 5 is a bottom perspective view thereof.

**1 Claim, 5 Drawing Sheets**



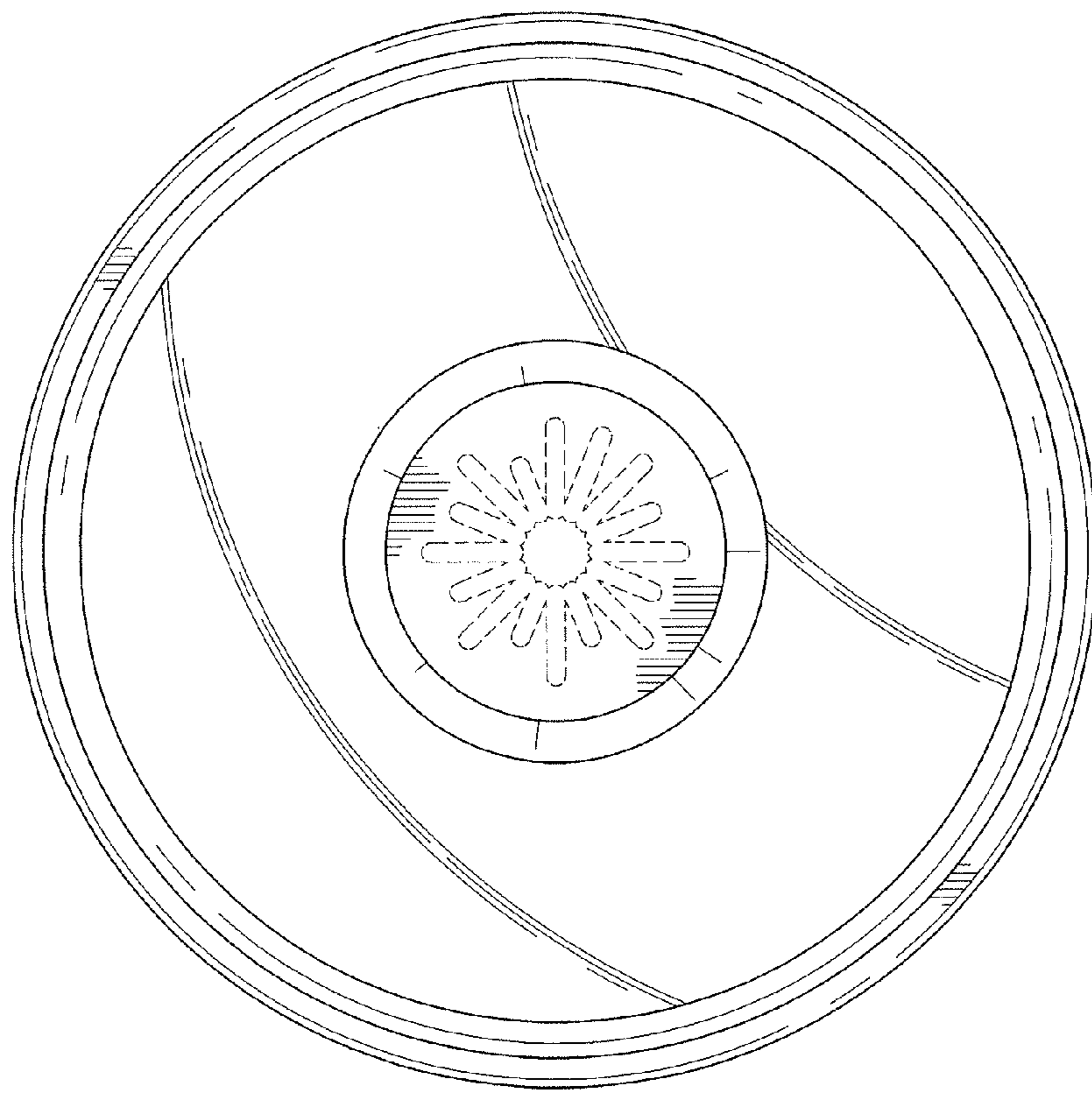


FIG. 1

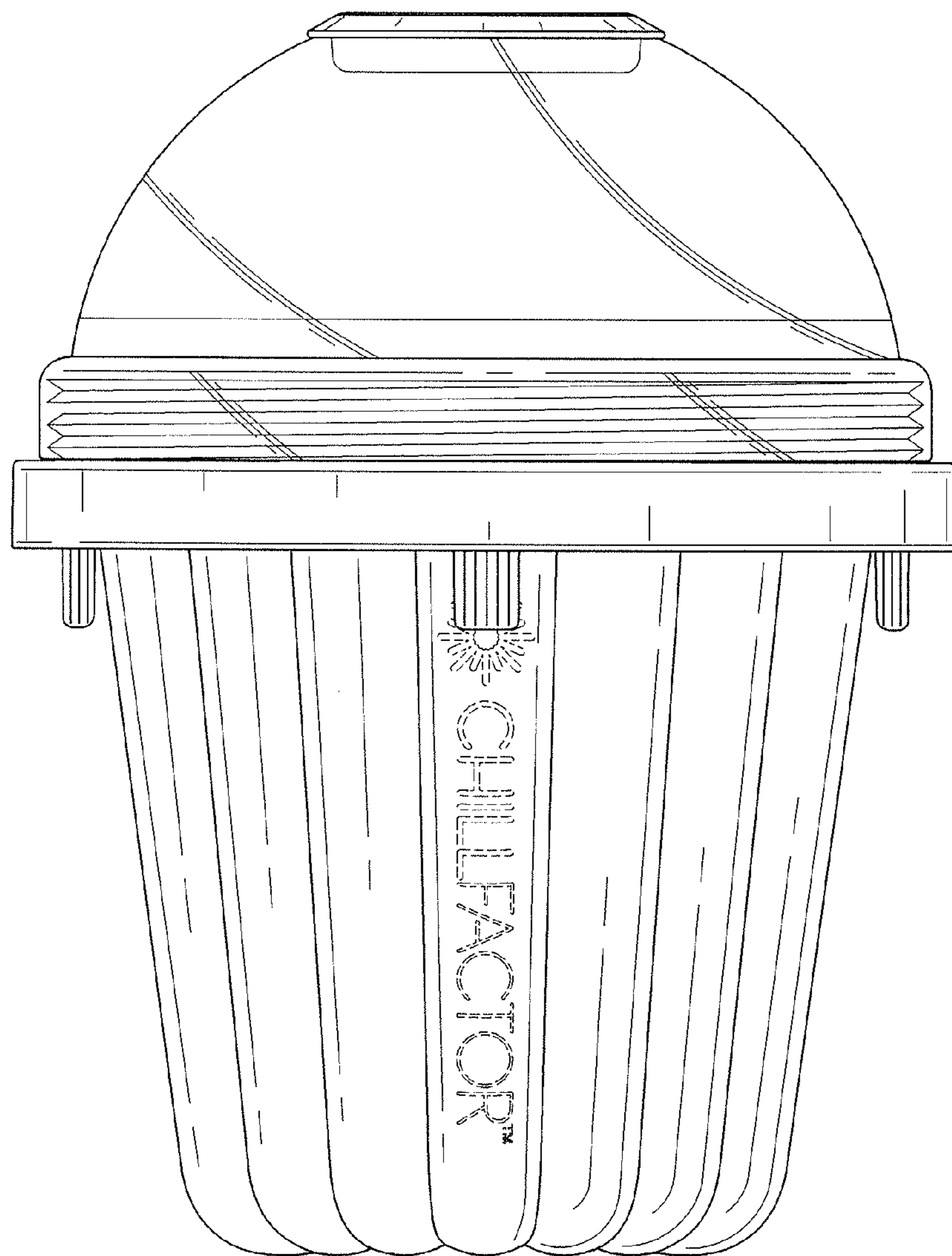


FIG. 2

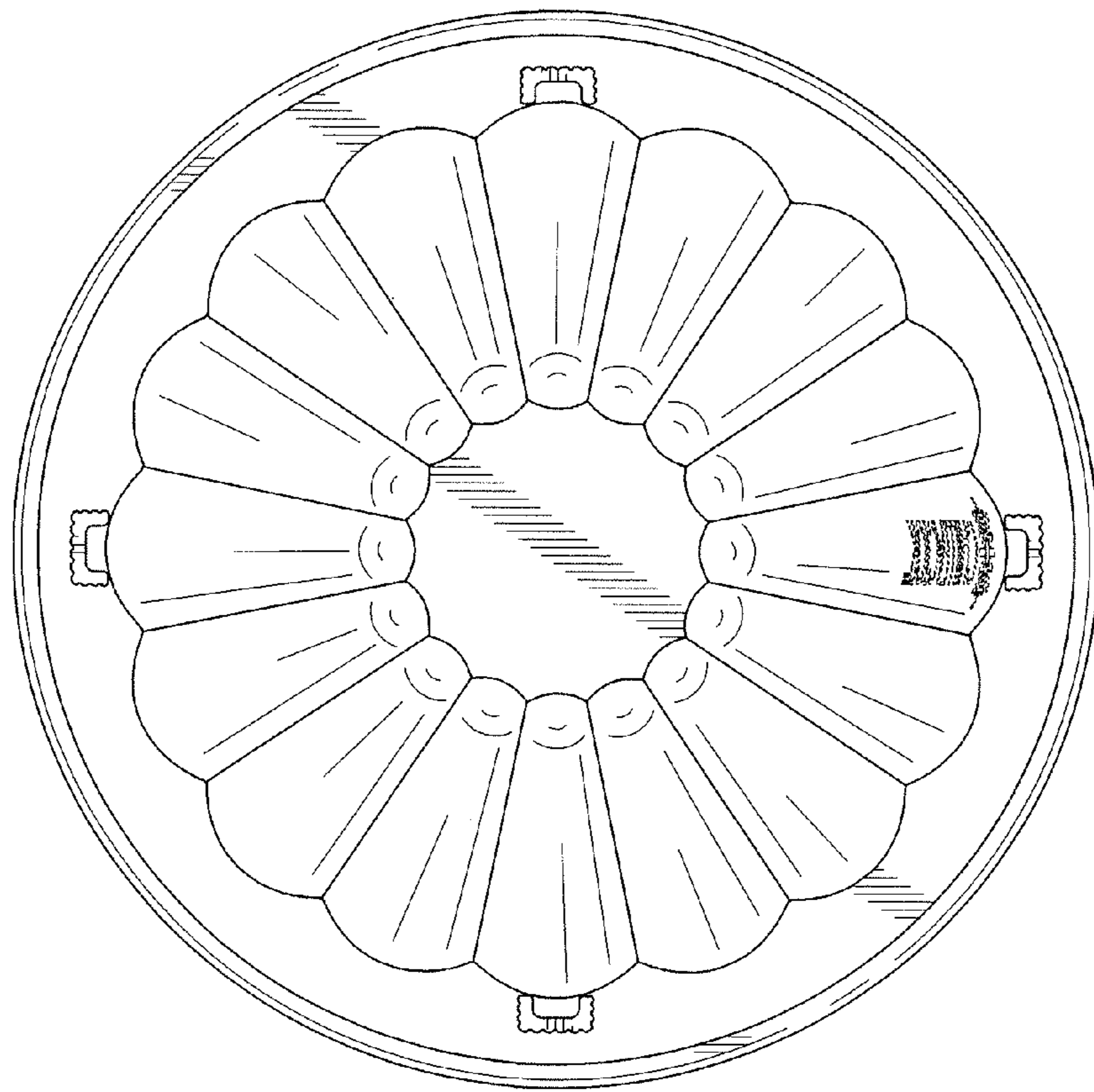


FIG. 3

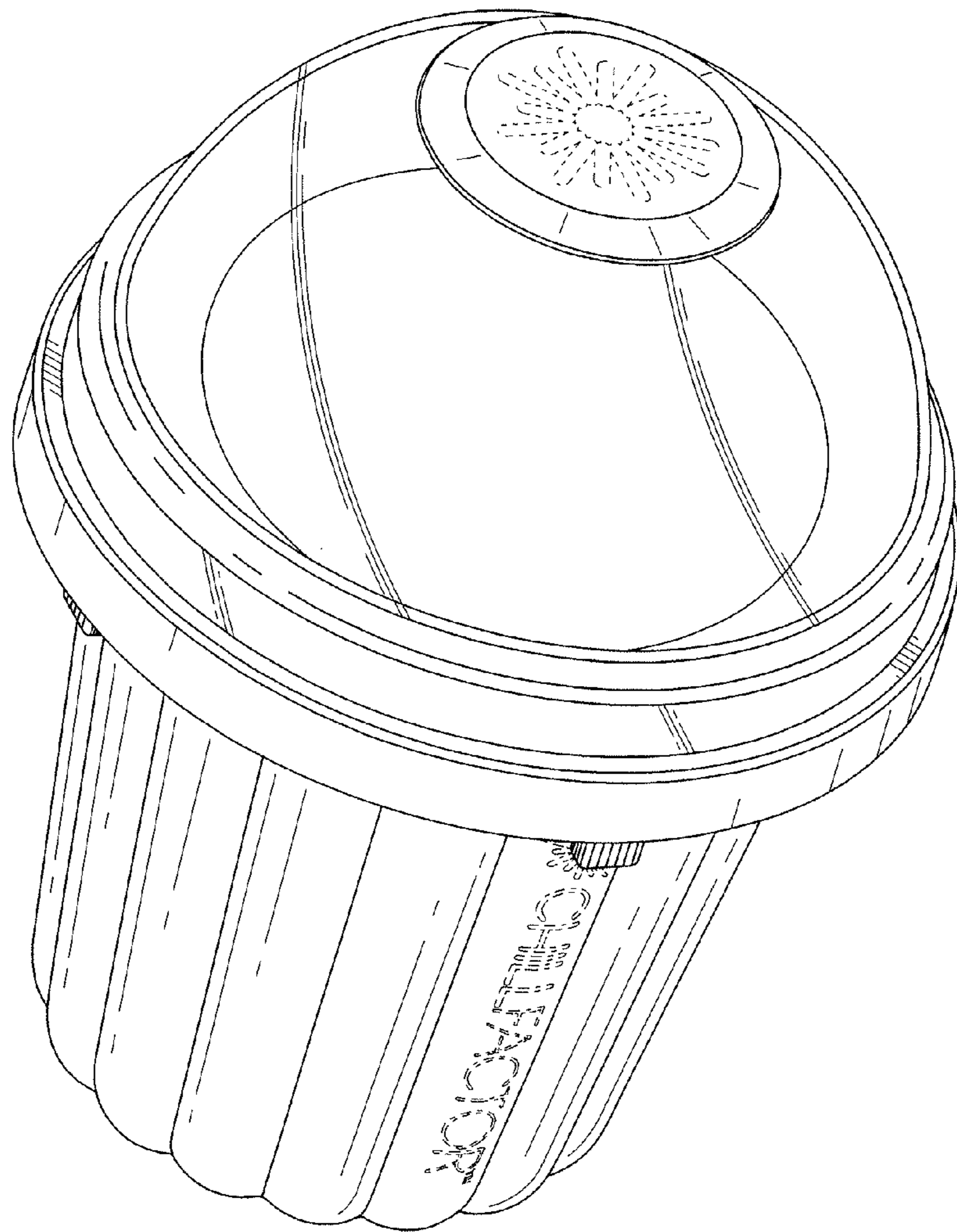


FIG. 4

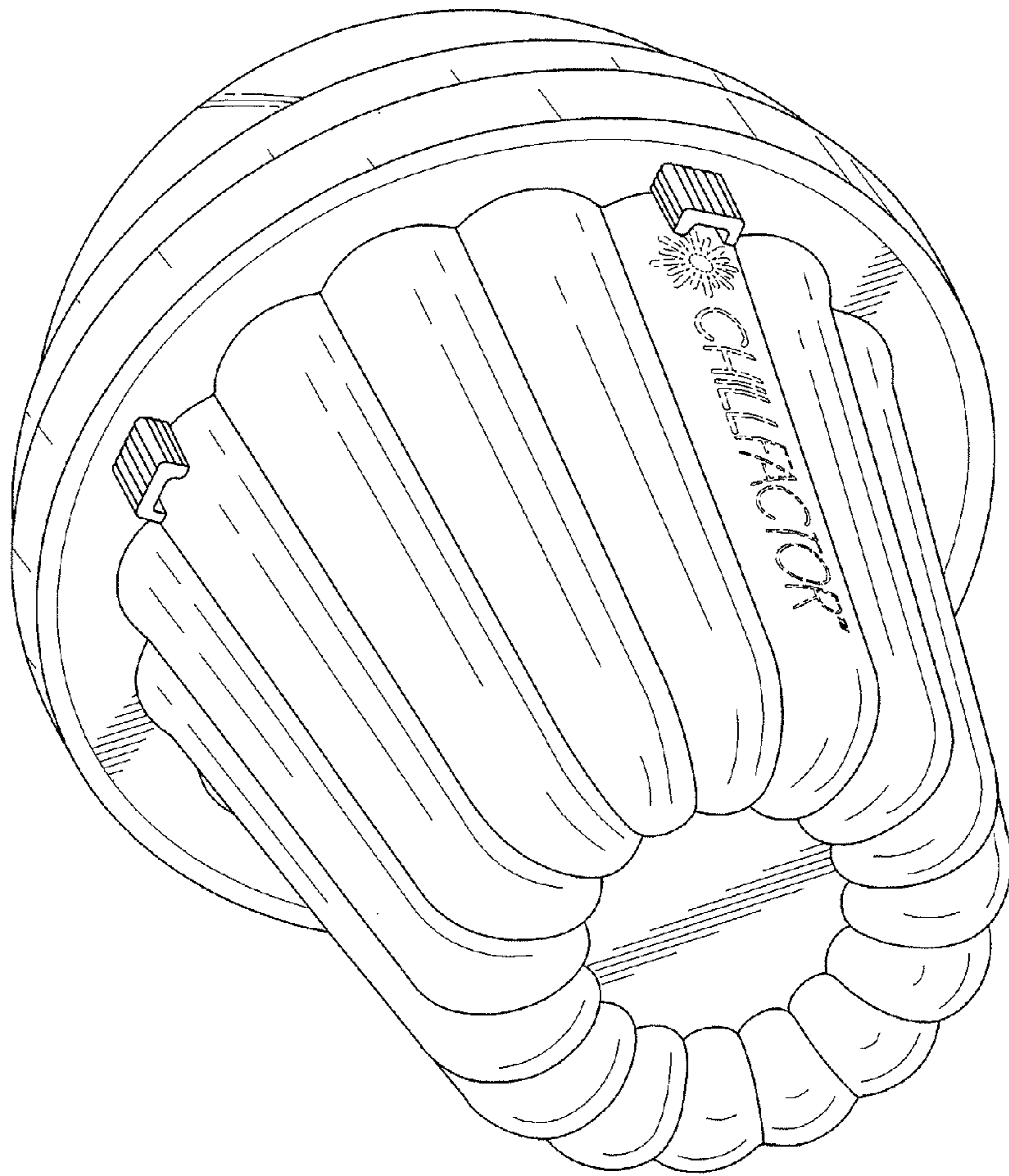


FIG. 5