



US00D749351S

(12) **United States Design Patent**
Chen

(10) **Patent No.:** **US D749,351 S**
(45) **Date of Patent:** **** Feb. 16, 2016**

- (54) **COOKWARE WITH A COVER**
- (71) Applicant: **Hsien-Chen Chen**, New Taipei (TW)
- (72) Inventor: **Hsien-Chen Chen**, New Taipei (TW)
- (**) Term: **14 Years**
- (21) Appl. No.: **29/502,306**
- (22) Filed: **Sep. 15, 2014**
- (51) **LOC (10) Cl.** **07-02**
- (52) **U.S. Cl.**
USPC **D7/354**
- (58) **Field of Classification Search**
USPC D6/674; D7/323, 354–363, 391,
D7/393–396, 409; D30/129
CPC A47G 19/12; A47J 27/00; A47J 27/002;
A47J 27/08; A47J 27/21; A47J 27/58; A47J
36/025; A47J 36/06; A47J 36/12; A47J 37/00;
A47J 37/10; A47J 37/101; A47J 37/103;
A47J 37/108; A47J 37/12; A47J 37/1204;
A47J 45/061; A47J 45/071; A47J 45/08;
A63H 33/3055; H05B 6/12; F24B 1/003
See application file for complete search history.

- (56) **References Cited**
U.S. PATENT DOCUMENTS
1,904,925 A * 4/1933 Perks A47J 37/10
126/215
1,936,551 A * 11/1933 Garrison A47J 37/10
99/339
2,413,204 A * 12/1946 Wolff F24B 1/003
126/275 R

- 2,568,637 A * 9/1951 Jardim A47J 37/101
126/299 C
- 2,573,719 A * 11/1951 Leberherz A47J 36/06
126/215
- D178,740 S * 9/1956 Stedman D7/363
- 3,120,717 A * 2/1964 Glass A63H 33/3055
446/397
- D226,838 S * 5/1973 Ruskin D30/129
- 5,967,022 A * 10/1999 Moschella A47J 37/108
220/731
- D536,199 S * 2/2007 Kloppsteck D6/674
- D555,419 S * 11/2007 Reckert D7/361
- D712,193 S * 9/2014 Nagrani D7/354

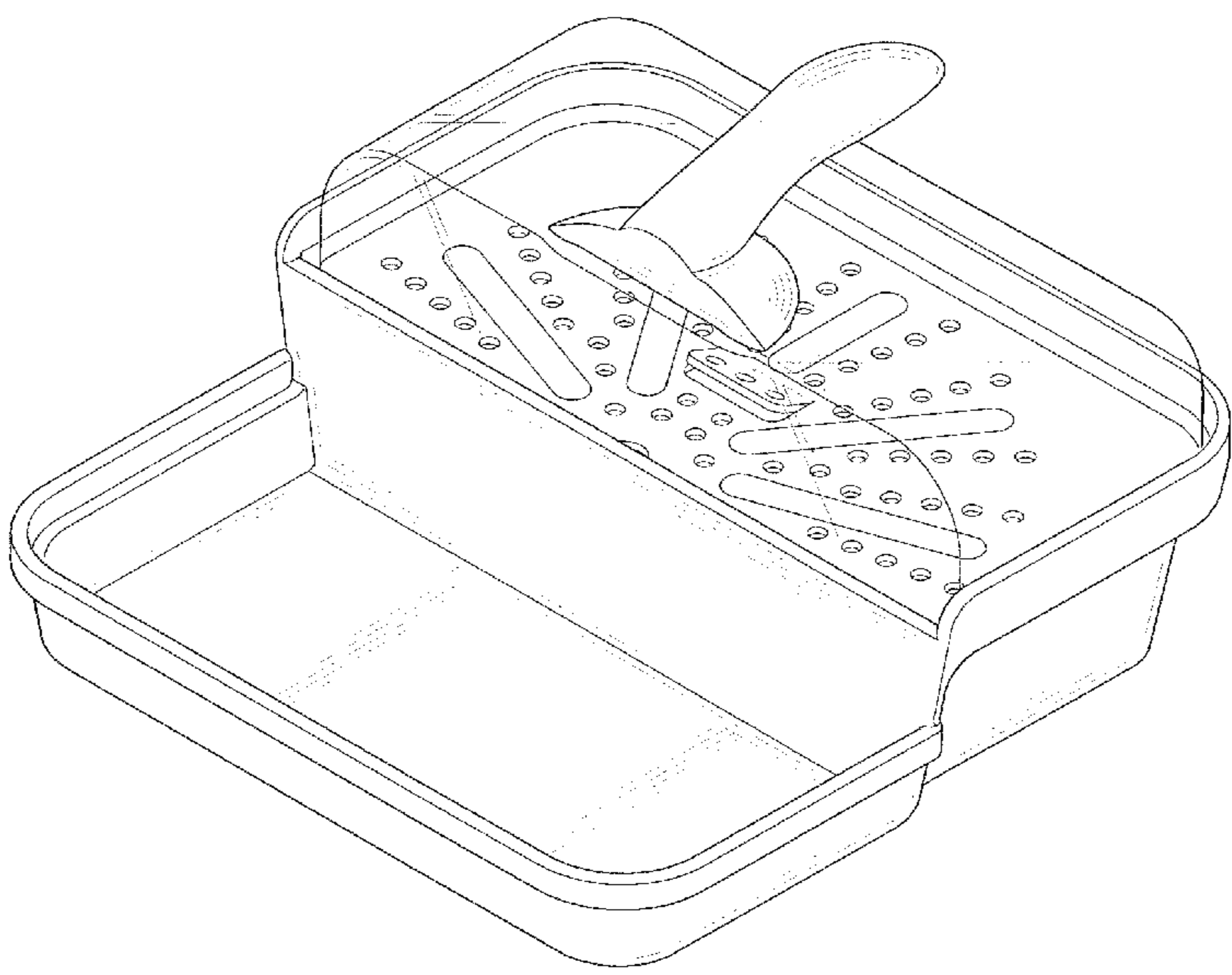
* cited by examiner
Primary Examiner — Ricky Pham
(74) *Attorney, Agent, or Firm* — Alan D. Kamrath; Kamrath
IP Lawfirm, P.A.

(57) **CLAIM**
The ornamental design for a cookware with a cover, as shown.

DESCRIPTION

FIG. 1 is a top perspective view of a cookware with a cover showing my new design;
FIG. 2 is a front view thereof;
FIG. 3 is a rear view thereof;
FIG. 4 is a left side view thereof;
FIG. 5 is a right side view thereof;
FIG. 6 is a top view thereof;
FIG. 7 is a bottom view thereof; and,
FIG. 8 is a bottom perspective view thereof.

1 Claim, 6 Drawing Sheets



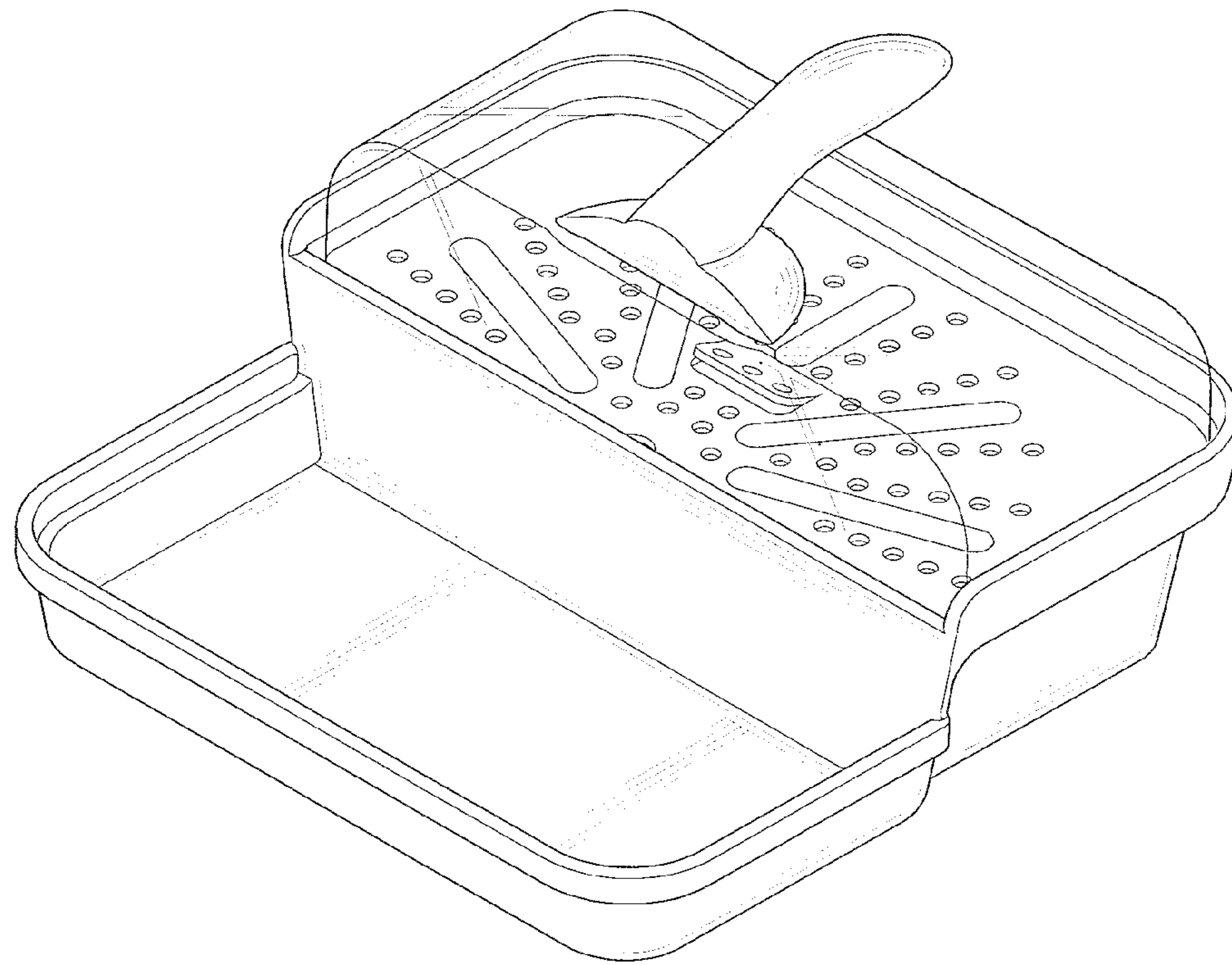


FIG.1

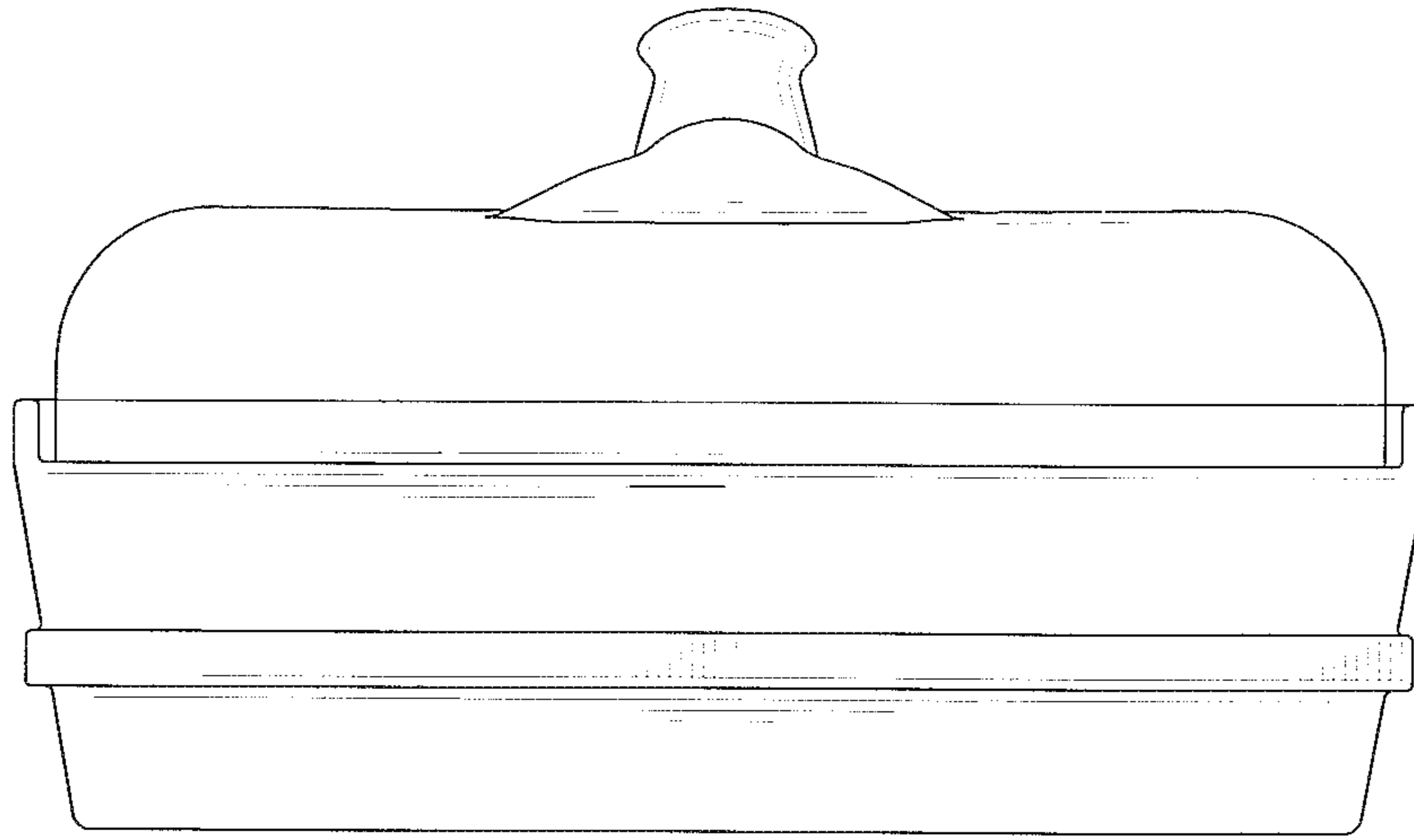


FIG. 2

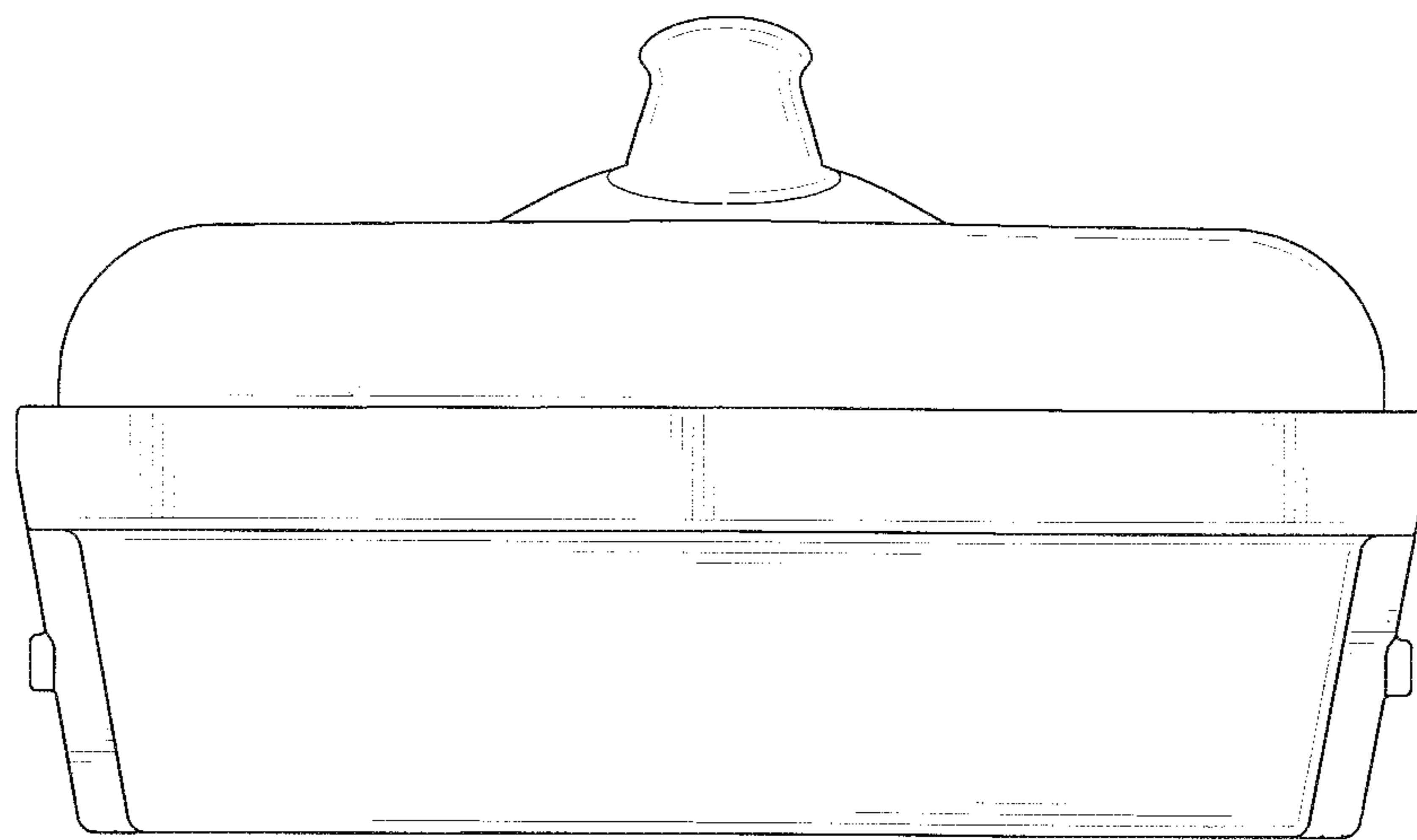


FIG. 3

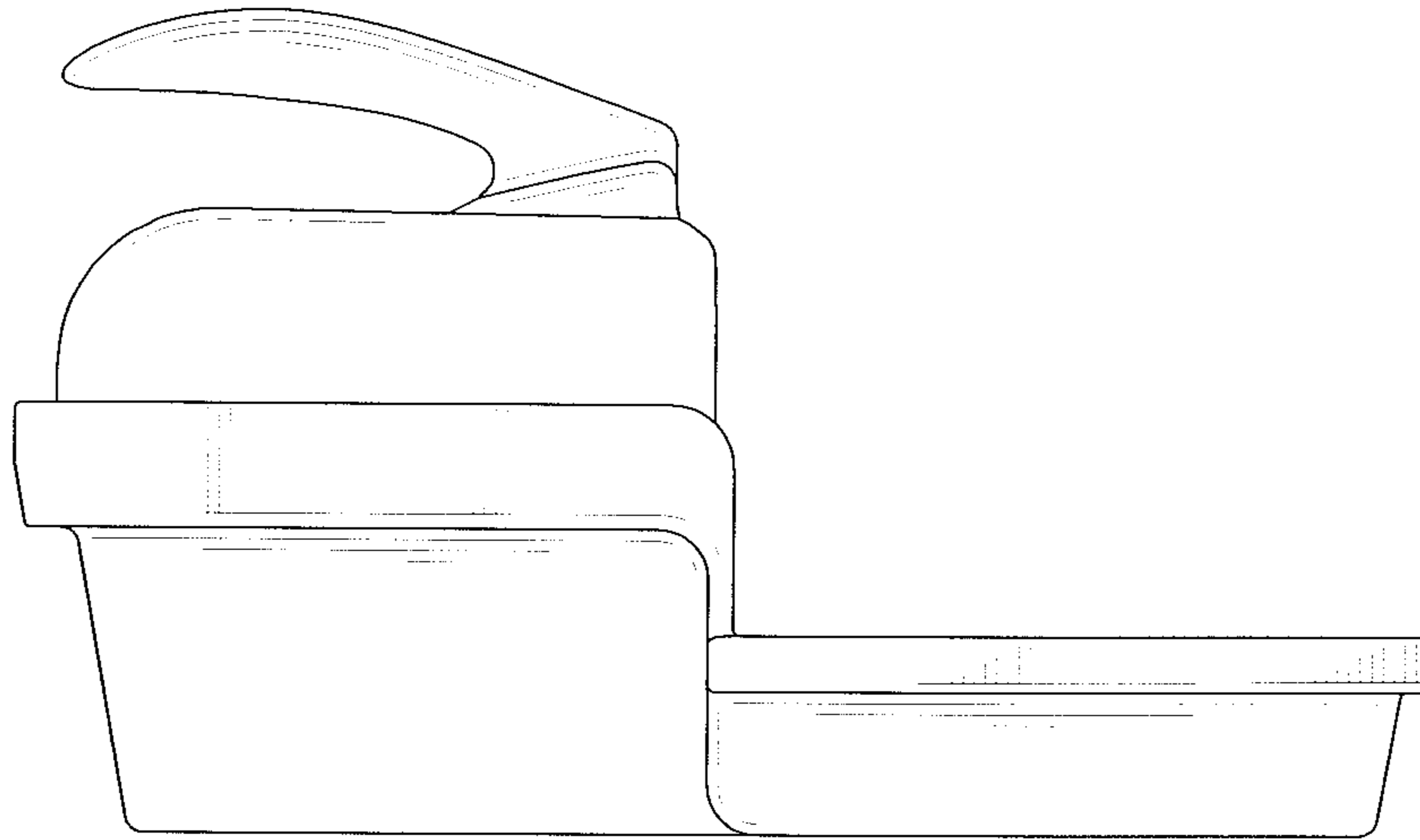


FIG. 4

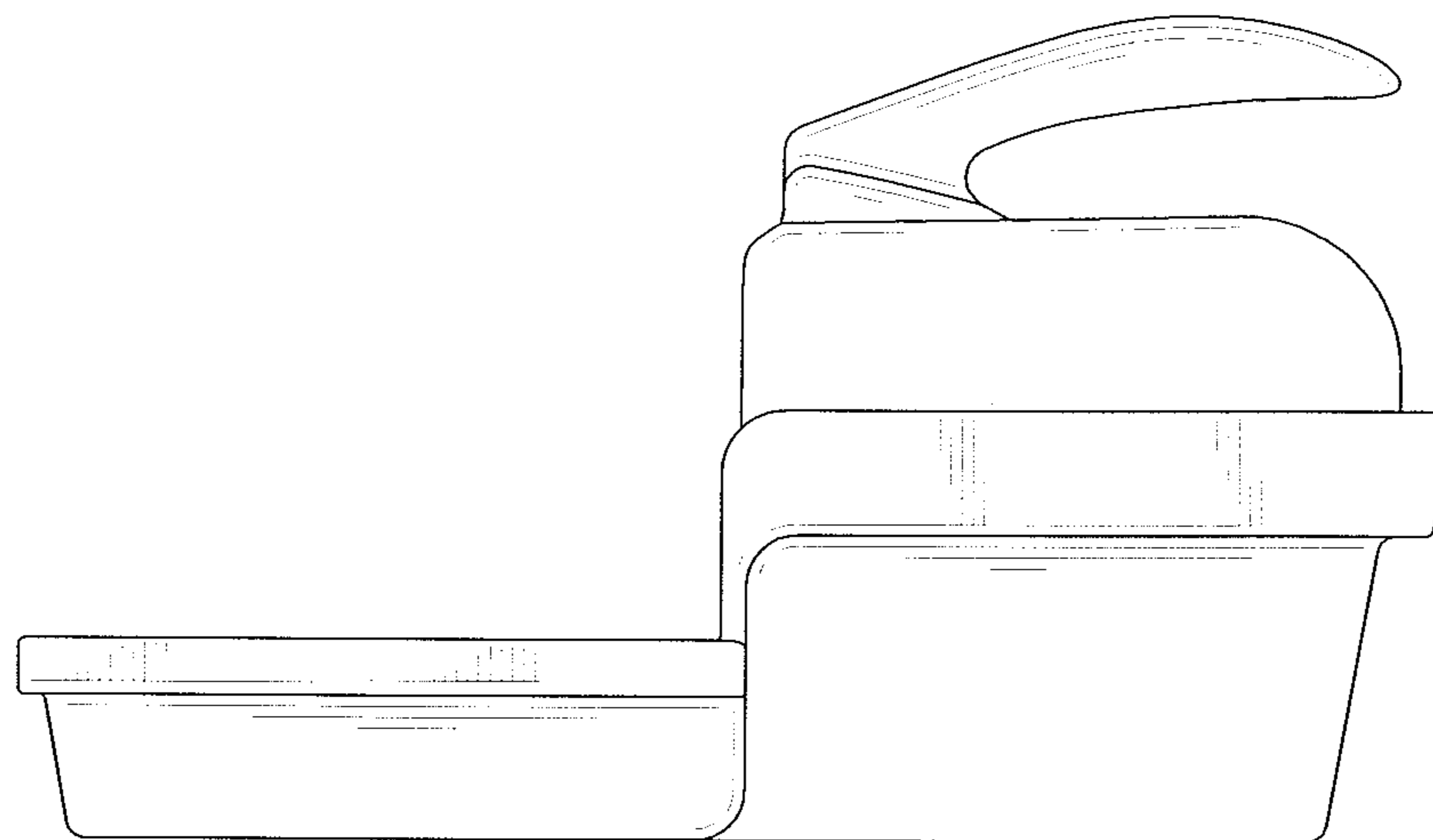


FIG. 5

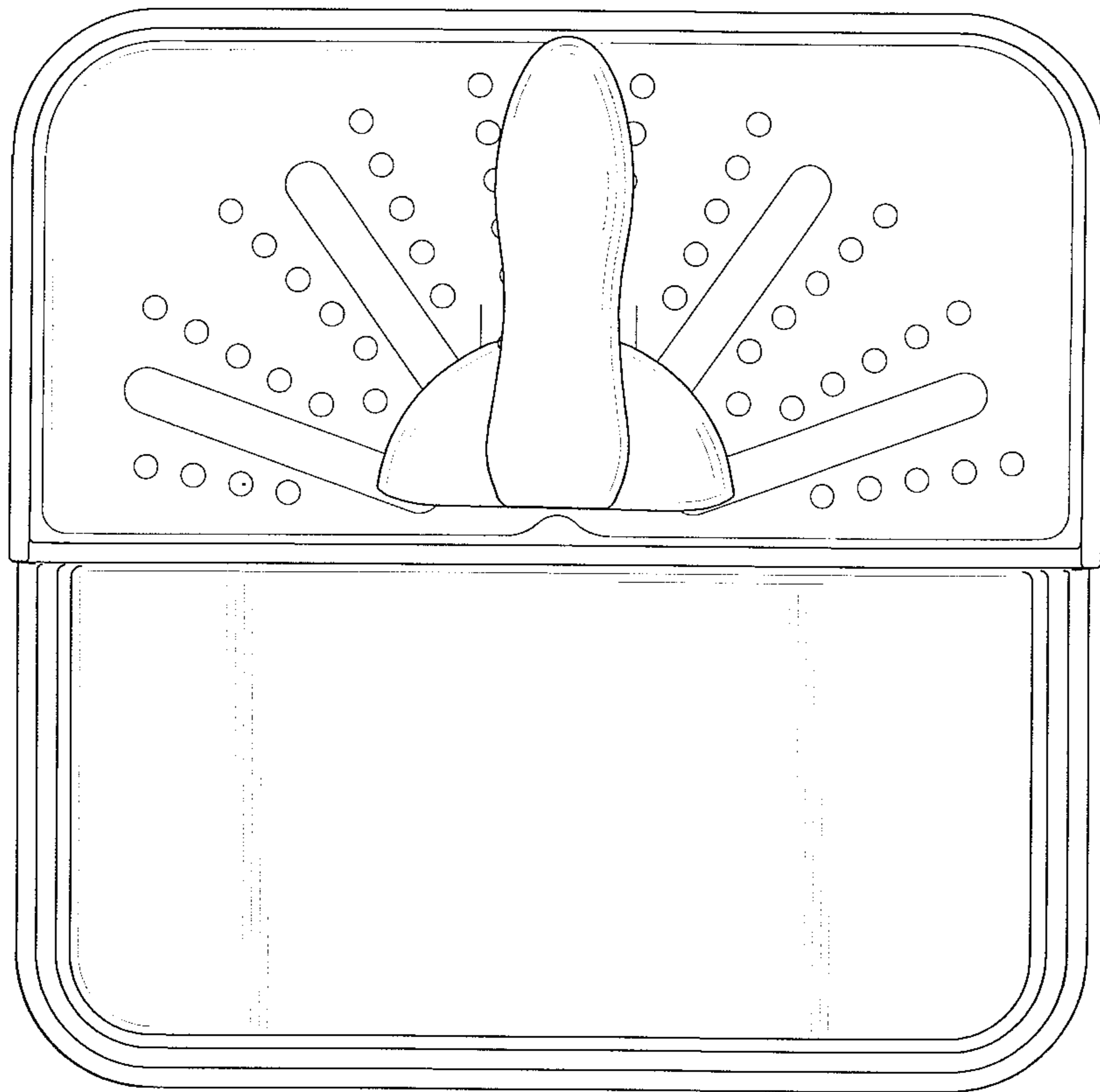


FIG.6

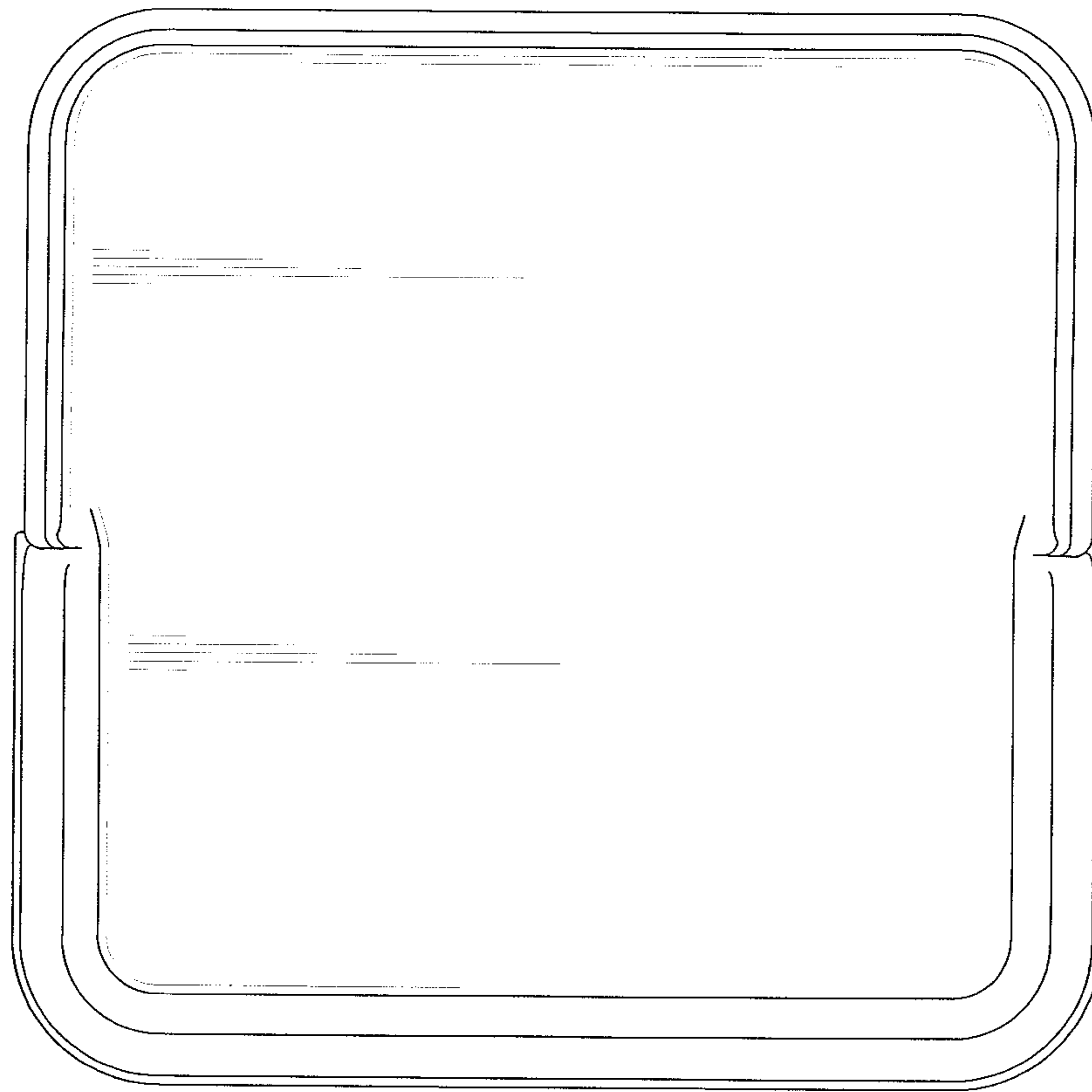


FIG. 7

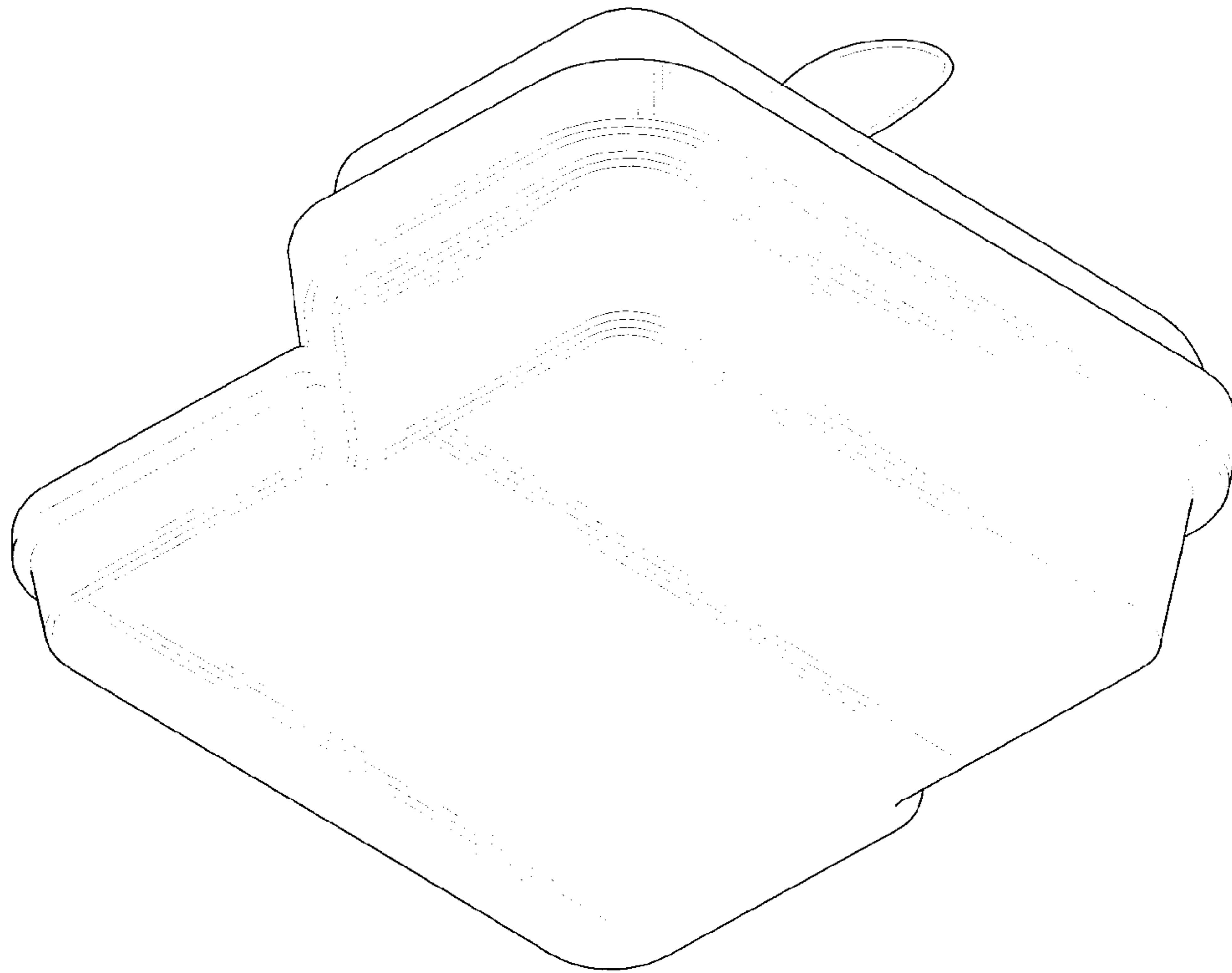


FIG.8