



US00D749350S

(12) **United States Design Patent**
Longchamps et al.

(10) **Patent No.:** **US D749,350 S**
(45) **Date of Patent:** **** Feb. 16, 2016**

- (54) **OUTDOOR POULTRY COOKER**
- (71) Applicants: **Patrick Longchamps**, Lewiston, ME (US); **Susan Longchamps**, Lewiston, ME (US)
- (72) Inventors: **Patrick Longchamps**, Lewiston, ME (US); **Susan Longchamps**, Lewiston, ME (US)
- (**) Term: **14 Years**
- (21) Appl. No.: **29/494,776**
- (22) Filed: **Jun. 24, 2014**
- (51) **LOC (10) Cl.** **07-02**
- (52) **U.S. Cl.**
USPC **D7/332**
- (58) **Field of Classification Search**
USPC D7/332, 334-337, 402-405, 417, 338, D7/348; 126/275 E
CPC A47J 37/0704; A47J 37/0763; A47J 37/0745; A47J 37/0713; A47J 37/0768; A47J 37/079; A47J 36/26; A47J 39/00; F24B 1/205; F24B 1/02; F24B 15/04; F24C 3/14; F24C 3/027; F24C 15/08; B65D 7/26; B65D 7/24; A23B 4/052
See application file for complete search history.

(56) **References Cited**

U.S. PATENT DOCUMENTS

D142,417 S *	9/1945	Jones	D7/332
D175,253 S *	8/1955	Greenblat	D7/337
D185,280 S *	5/1959	Greenblat	D7/337
D186,967 S *	12/1959	Webster et al.	D7/337
3,046,969 A *	7/1962	Davis	A47J 37/0704 126/25 R
3,112,716 A *	12/1963	Knight	A47J 37/079 126/168
3,116,704 A *	1/1964	Byars, Sr.	A47J 37/079 126/162
3,430,621 A *	3/1969	Doty	A47J 37/0763 126/162
D220,150 S *	3/1971	Roestenburg	D7/332
D221,816 S *	9/1971	Bryan	D7/337
D258,713 S *	3/1981	Harper	D23/420
D287,091 S *	12/1986	Elliston	D7/337

4,913,126 A *	4/1990	McCall	A01K 97/01 126/204
D321,108 S *	10/1991	Lutter	D7/332
D340,613 S *	10/1993	Kesling	D7/337
D382,765 S *	8/1997	Kellermann	D7/332
5,842,463 A *	12/1998	Hall	F24B 1/202 126/15 R
D442,422 S *	5/2001	Dabney	D11/152
D443,464 S *	6/2001	Davis	D7/334
D444,991 S *	7/2001	Measom	D7/337
D448,604 S *	10/2001	Cho	D7/337

(Continued)

OTHER PUBLICATIONS

Web page Keeperhome, Rocket Roaster, www.keeperhome.com/81161.html Accessed May 8, 2014.

Primary Examiner — Ruth McInroy

(74) *Attorney, Agent, or Firm* — Seth Natter; Natter & Natter

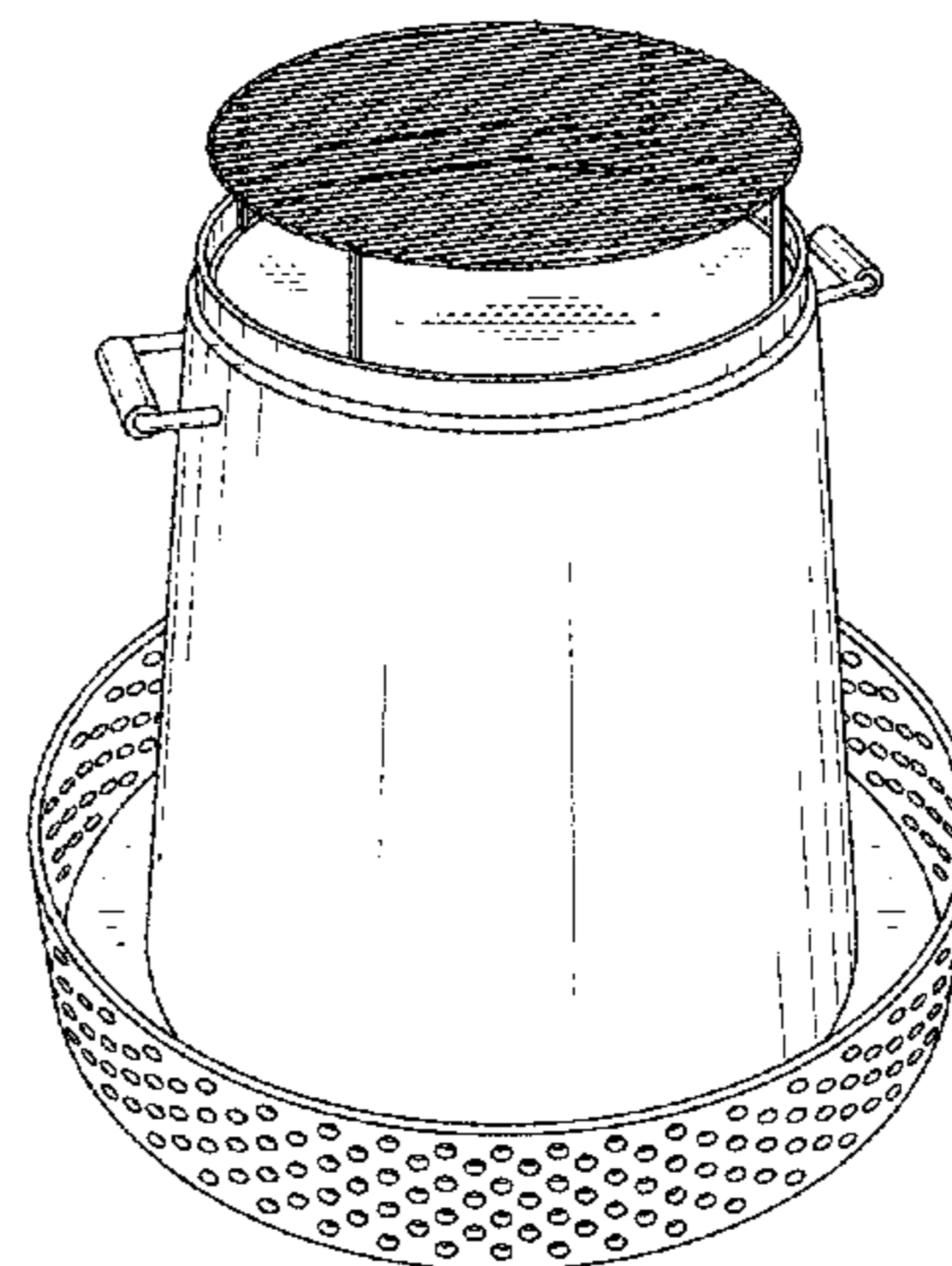
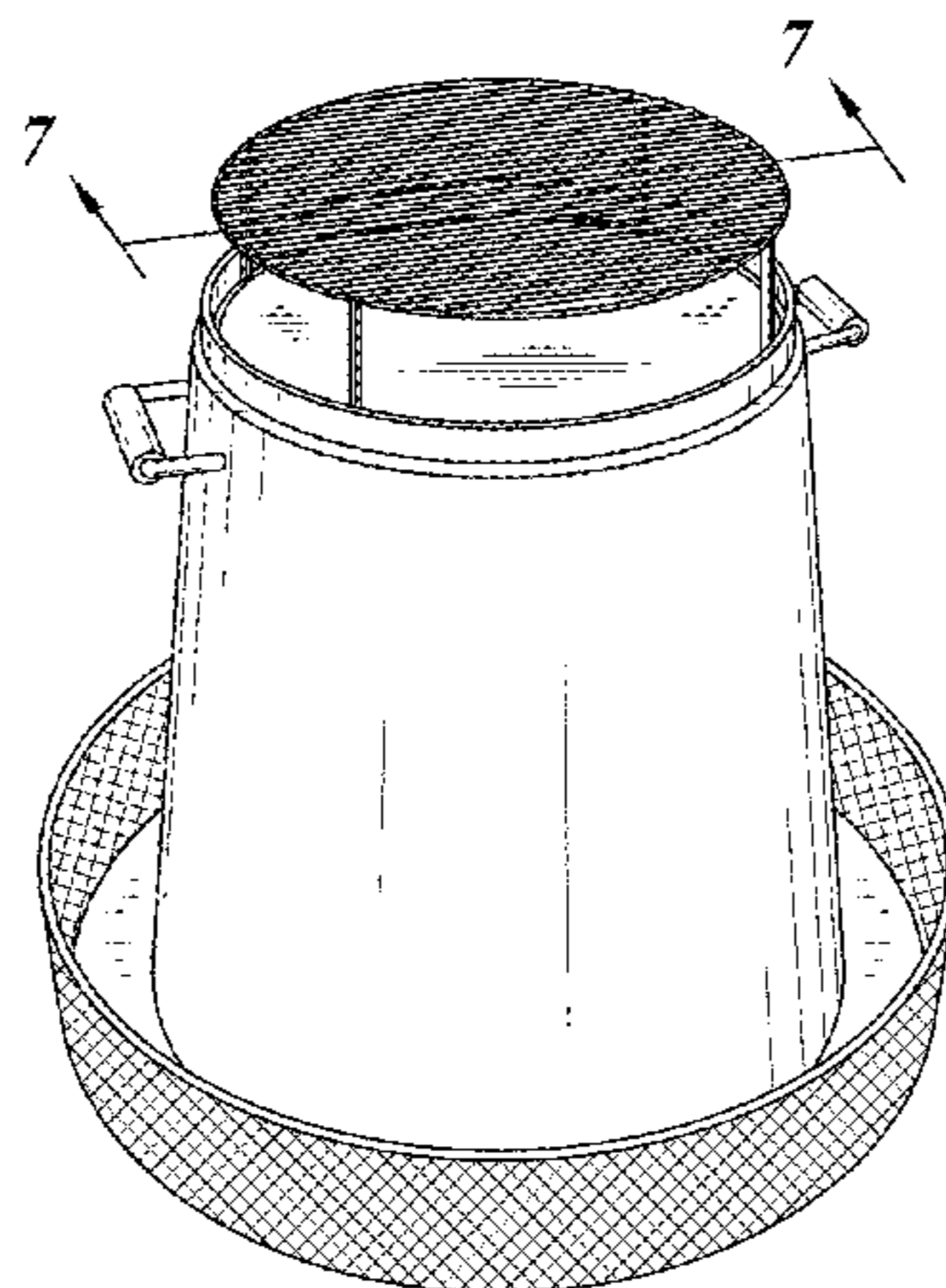
(57) **CLAIM**

The ornamental design for an outdoor poultry cooker, as shown and described.

DESCRIPTION

FIG. 1 is an isometric view of an outdoor poultry cooker showing our new design;
 FIG. 2 is a top plan view thereof;
 FIG. 3 is a front elevational view thereof; the rear elevation being a mirror image thereof;
 FIG. 4 is a side elevational view thereof: the opposite side being a mirror image thereof;
 FIG. 5 a bottom view thereof;
 FIG. 6 is an exploded isometric view thereof;
 FIG. 7 is a sectional view thereof, the same being taken along the plane 7-7 of FIG. 1; and,
 FIG. 8 is an isometric view of a second embodiment thereof. The remaining views of the alternate embodiment are identical to the corresponding views of FIGS. 1-7, except for the substitution of circular perforations in lieu of the mesh surfaces illustrated therein and the broken lines form no part of the claimed design.

1 Claim, 6 Drawing Sheets



US D749,350 S

Page 2

(56)

References Cited

U.S. PATENT DOCUMENTS

D481,903 S *	11/2003	Hester	D7/332	2001/0035175 A1*	11/2001	Lautner	A47J 33/00 126/9 R
7,107,983 B1 *	9/2006	West	A47J 33/00 126/25 R	2009/0205629 A1*	8/2009	Yamamoto	A47J 37/0704 126/25 R
D534,756 S *	1/2007	Jensen	D7/332	2014/0026765 A1*	1/2014	Fou	A23B 4/0523 99/445
D730,104 S *	5/2015	Stredney	D7/337	2014/0238377 A1*	8/2014	Moore	A47J 33/00 126/30

* cited by examiner

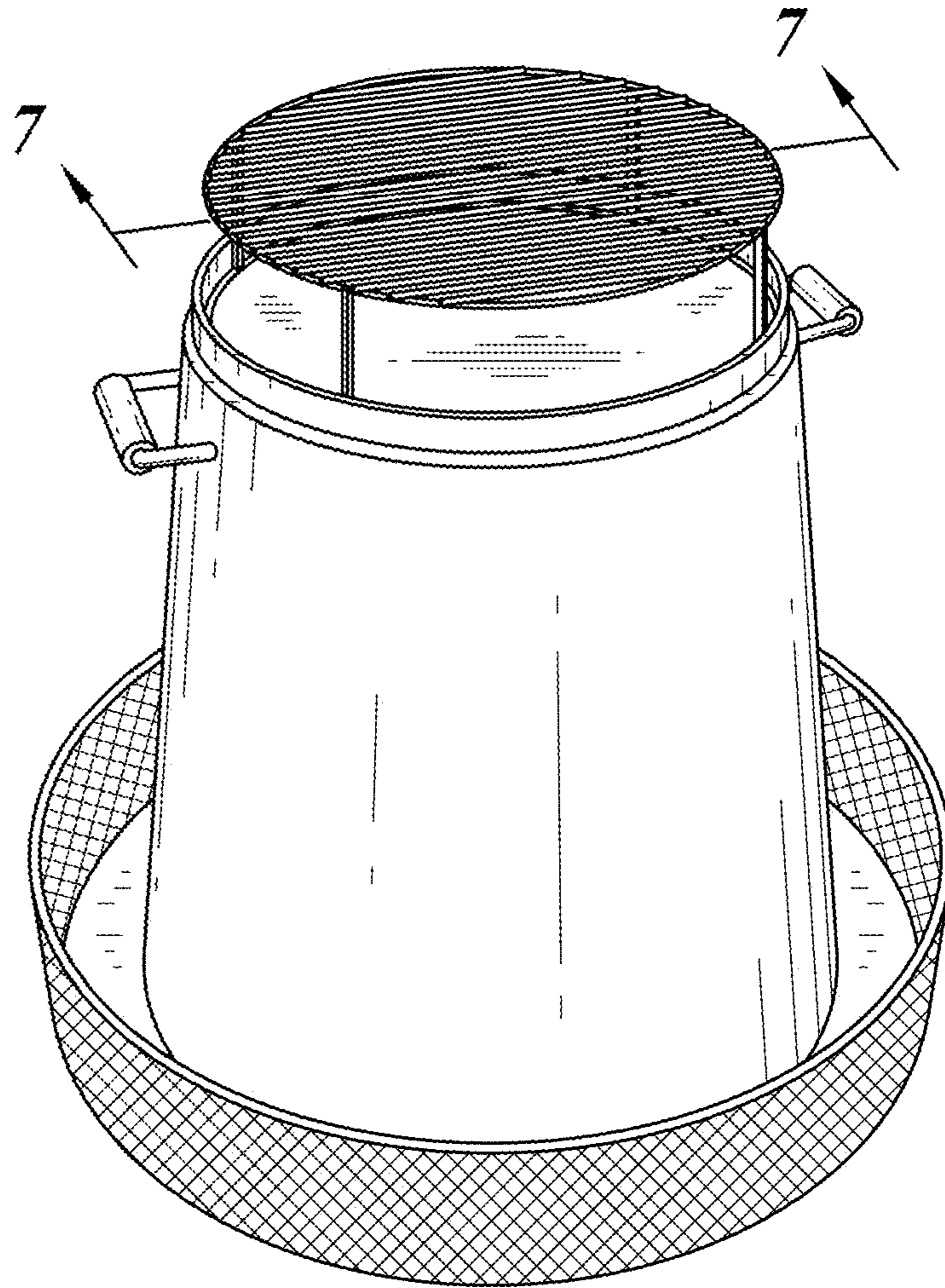


Fig. 1

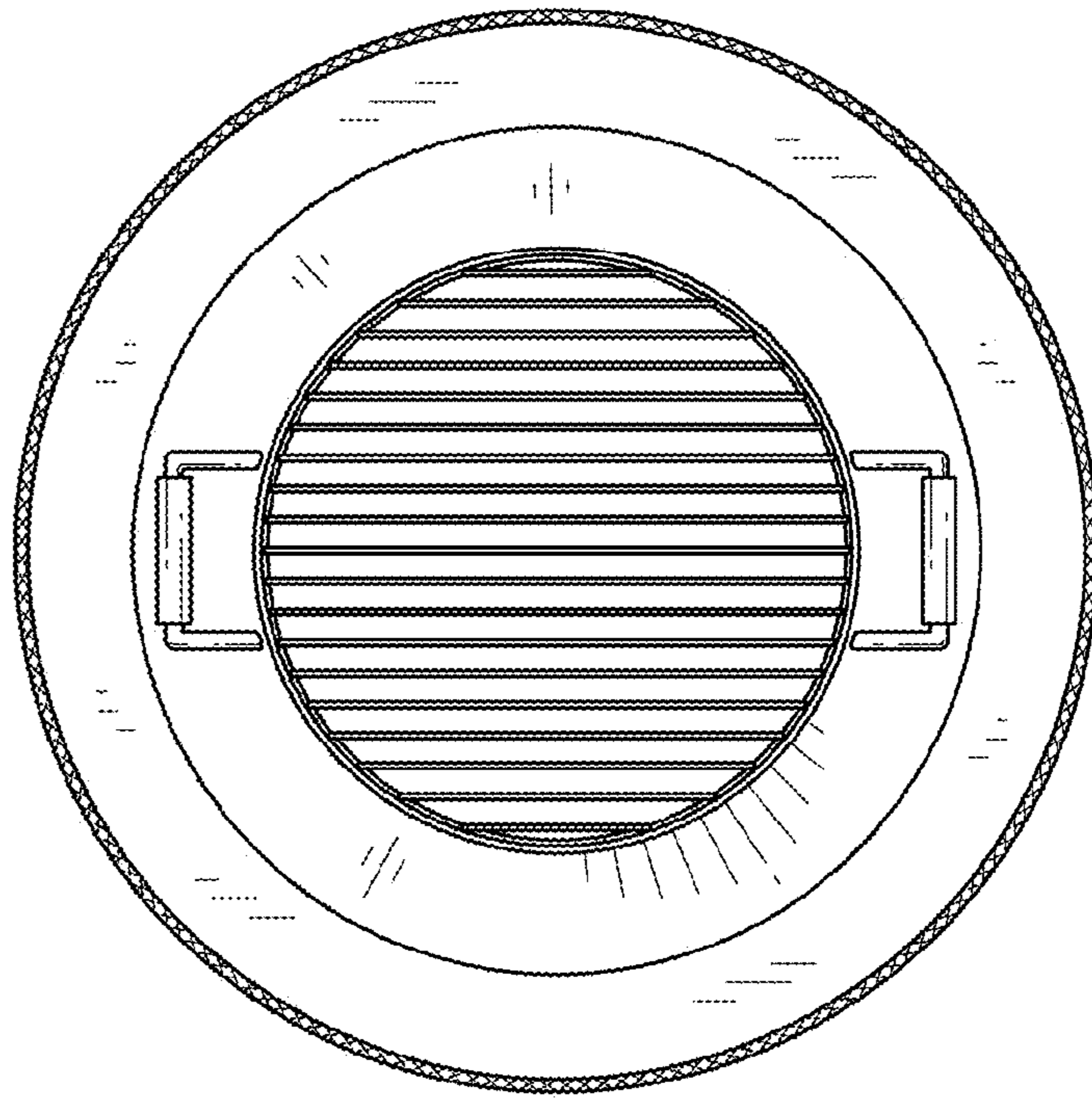


Fig. 2

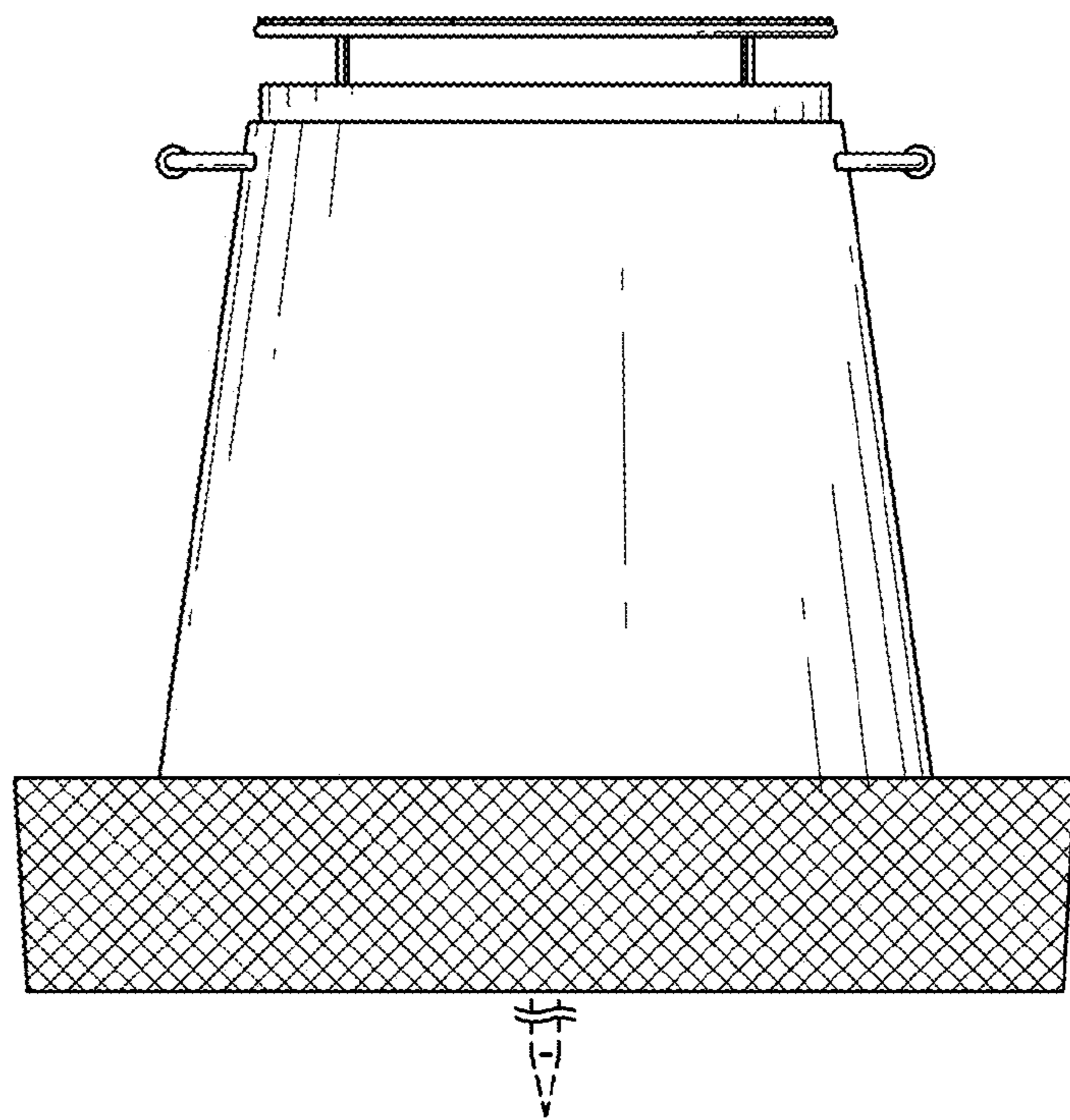


Fig. 3

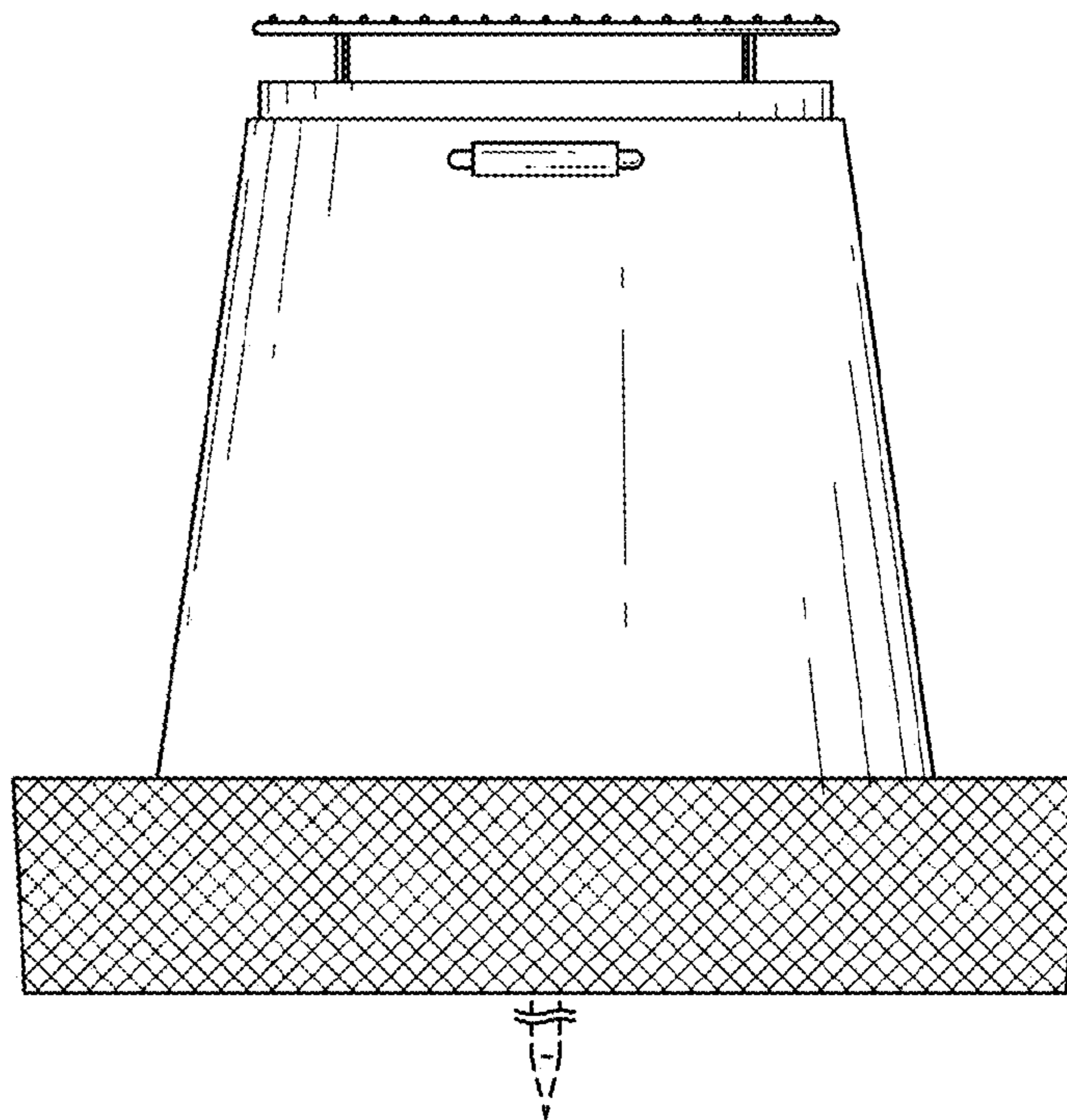


Fig. 4

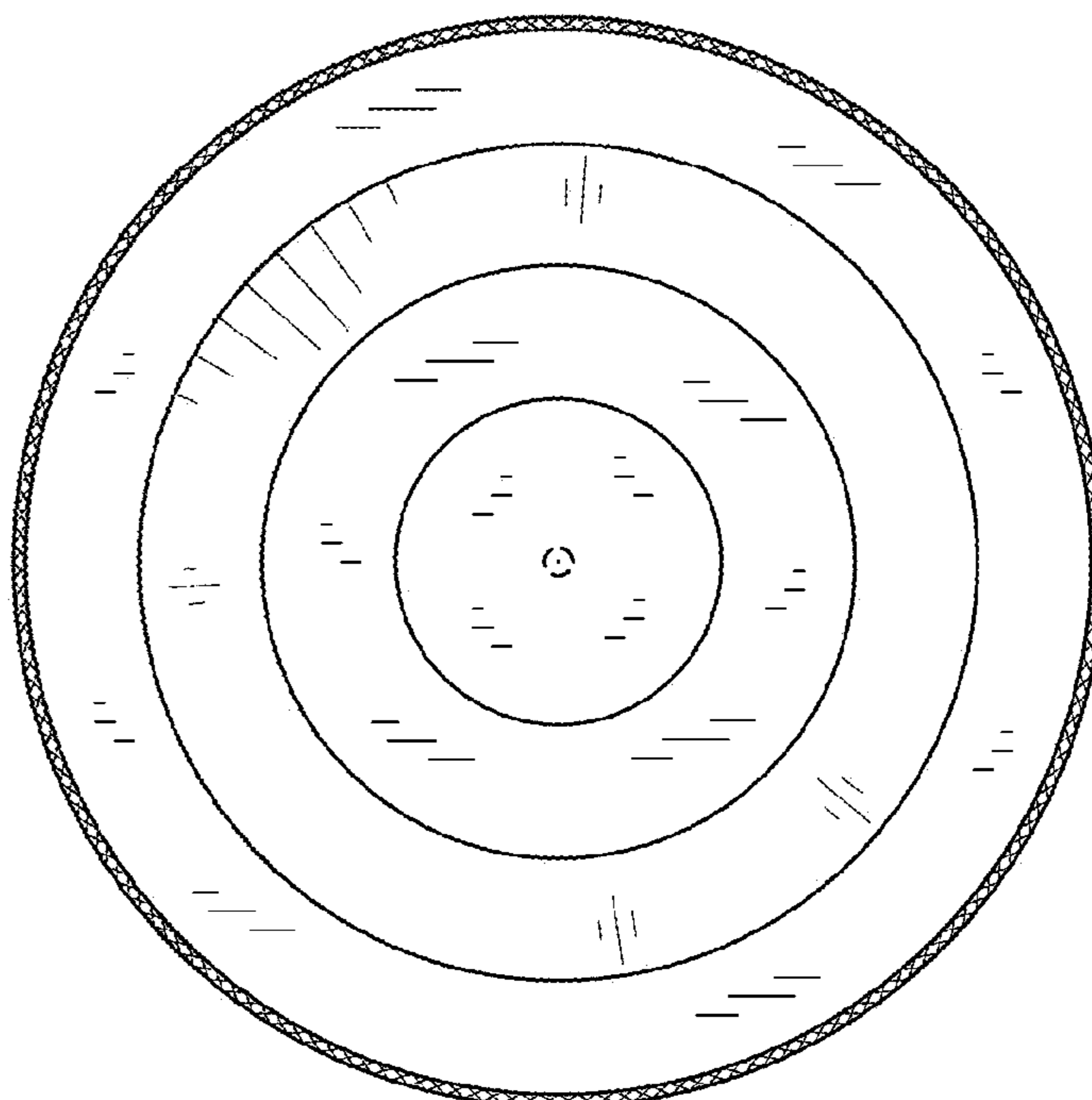
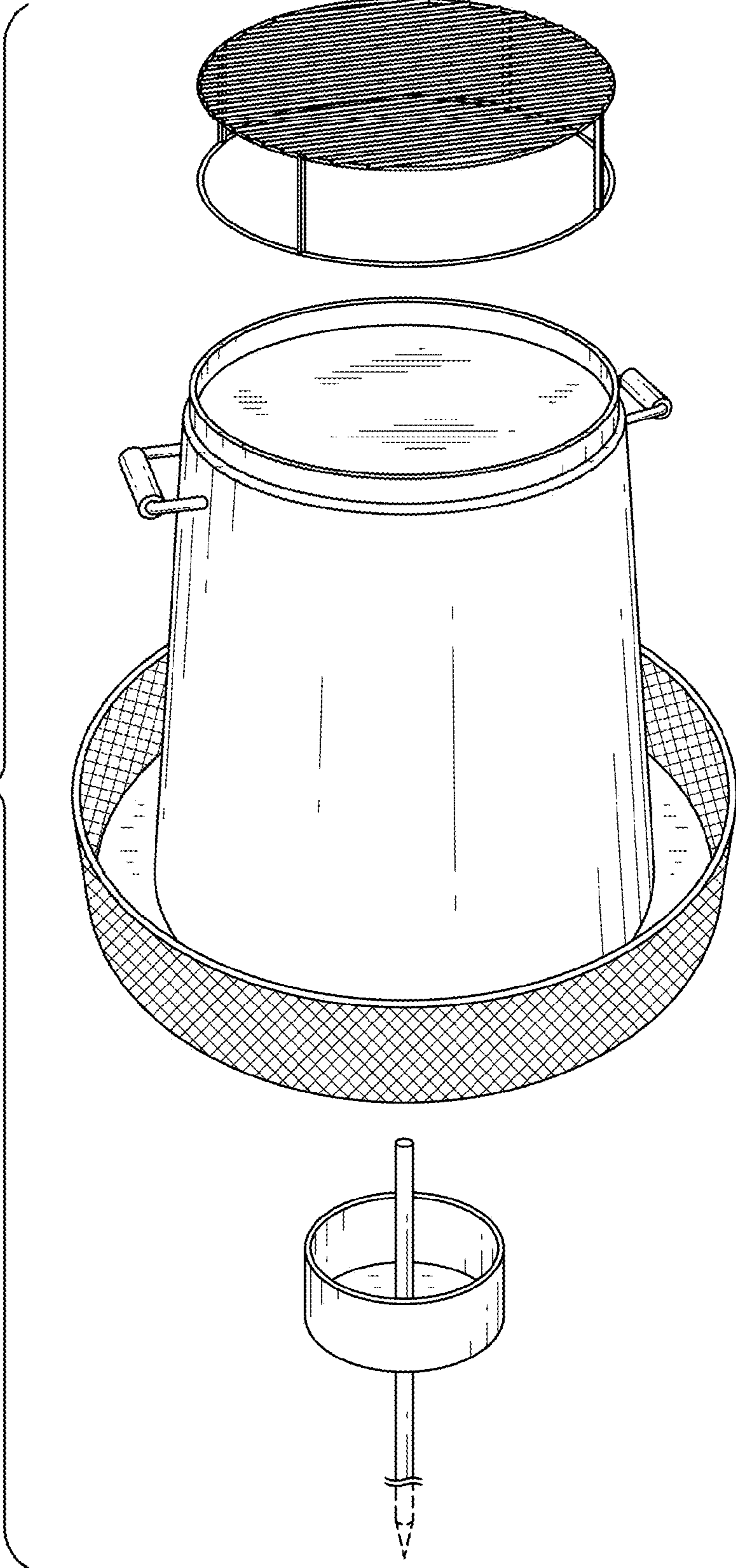


Fig. 5

Fig. 6



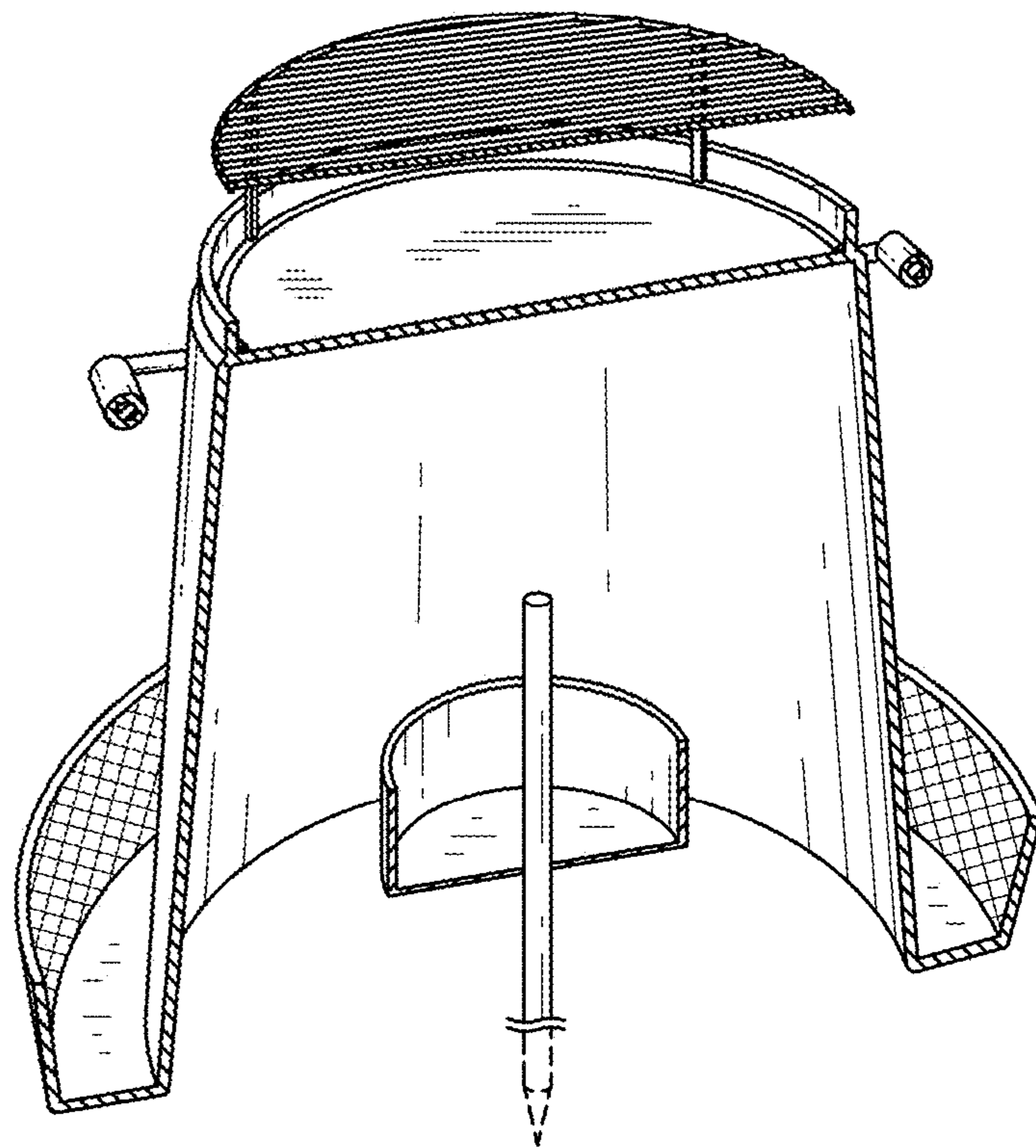


Fig. 7

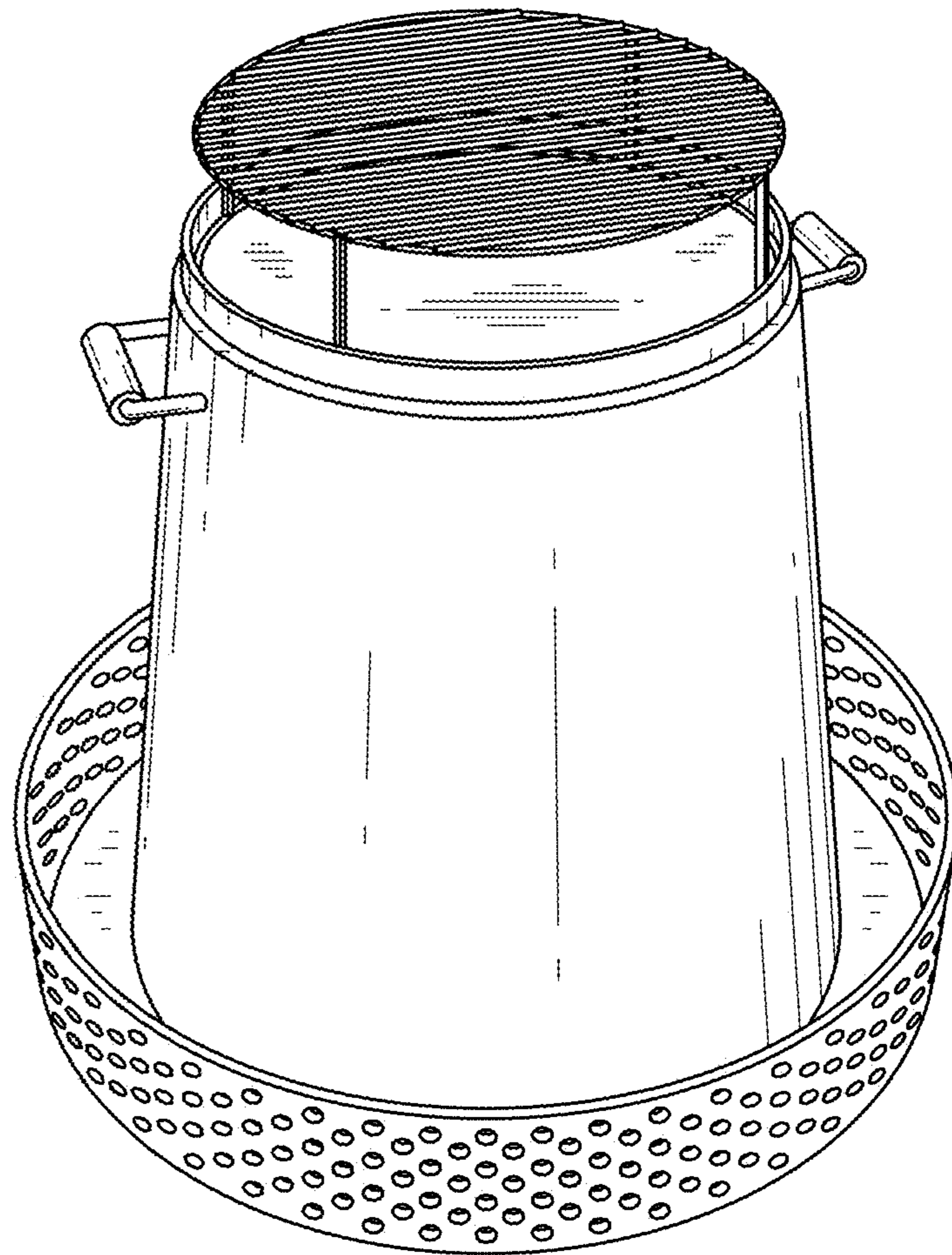


Fig. 8