



US00D749349S

(12) **United States Design Patent**
Carlson et al.

(10) **Patent No.:** **US D749,349 S**
(45) **Date of Patent:** **** Feb. 16, 2016**

- (54) **TOASTER**
- (71) Applicant: **Hamilton Beach Brands, Inc.**, Glen Allen, VA (US)
- (72) Inventors: **Drew Carlson**, Henrico, VA (US); **Delroy Dennisur**, Smyrna, GA (US); **Spencer Dodge**, Stone Mountain, GA (US); **Jonathan Dalton**, Marietta, GA (US)
- (73) Assignee: **Hamilton Beach Brands, Inc.**, Glen Allen, VA (US)
- (**) Term: **14 Years**
- (21) Appl. No.: **29/509,675**
- (22) Filed: **Nov. 20, 2014**
- (51) **LOC (10) Cl.** **07-02**
- (52) **U.S. Cl.**
USPC **D7/330**
- (58) **Field of Classification Search**
USPC D7/323, 328-330, 390
CPC A21B 2/00; A47J 37/00; A47J 37/06;
A47J 37/0611; A47J 37/08; A47J 37/0807;
A47J 37/0814; A47J 37/0835; A47J 37/0842;
A47J 37/085; A47J 37/0864; A47J 37/0871;
A47J 37/0878; A47J 37/0885; A47J 37/0892;
F24C 15/10; F24C 15/102
See application file for complete search history.

5,664,481 A	9/1997	Huggler	
D413,224 S *	8/1999	Cruz	D7/330
5,943,948 A	8/1999	Tanaka	
D422,832 S *	4/2000	Gaynor	D7/330
6,058,829 A *	5/2000	Endres	A47J 37/0871 426/518
6,105,486 A	8/2000	Belknap et al.	
6,311,609 B1	11/2001	Dotan	
6,675,700 B2	1/2004	Hong	
6,829,983 B2	12/2004	Arnedo et al.	
D503,581 S *	4/2005	Wong	D7/330
7,047,871 B1	5/2006	Christoffel	
7,351,939 B2	4/2008	Boyle et al.	
7,472,644 B2	1/2009	Friel, Sr.	
D615,343 S *	5/2010	Bock	D7/330
D635,390 S *	4/2011	Duncan	D7/330
D640,894 S *	7/2011	Duncan	D7/330
D644,473 S *	9/2011	Pantaleo	D7/330
8,015,916 B2	9/2011	Pan	
D655,126 S *	3/2012	Gregory	D7/330
D724,885 S *	3/2015	Kunz	D7/330

* cited by examiner

Primary Examiner — Ricky Pham

(74) Attorney, Agent, or Firm — Alexander D. Raring

(57) **CLAIM**

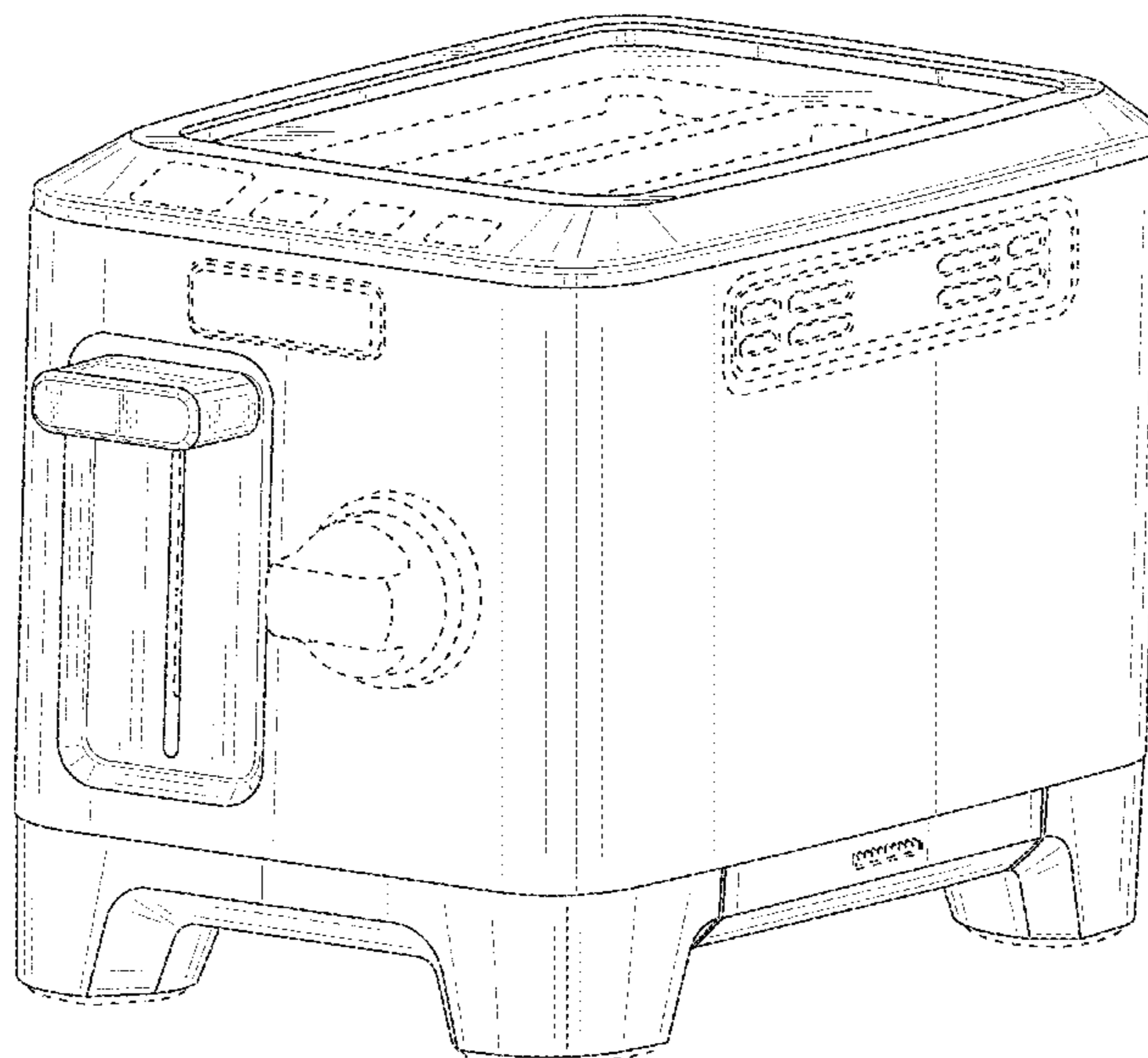
The ornamental design for a toaster, as shown and described.

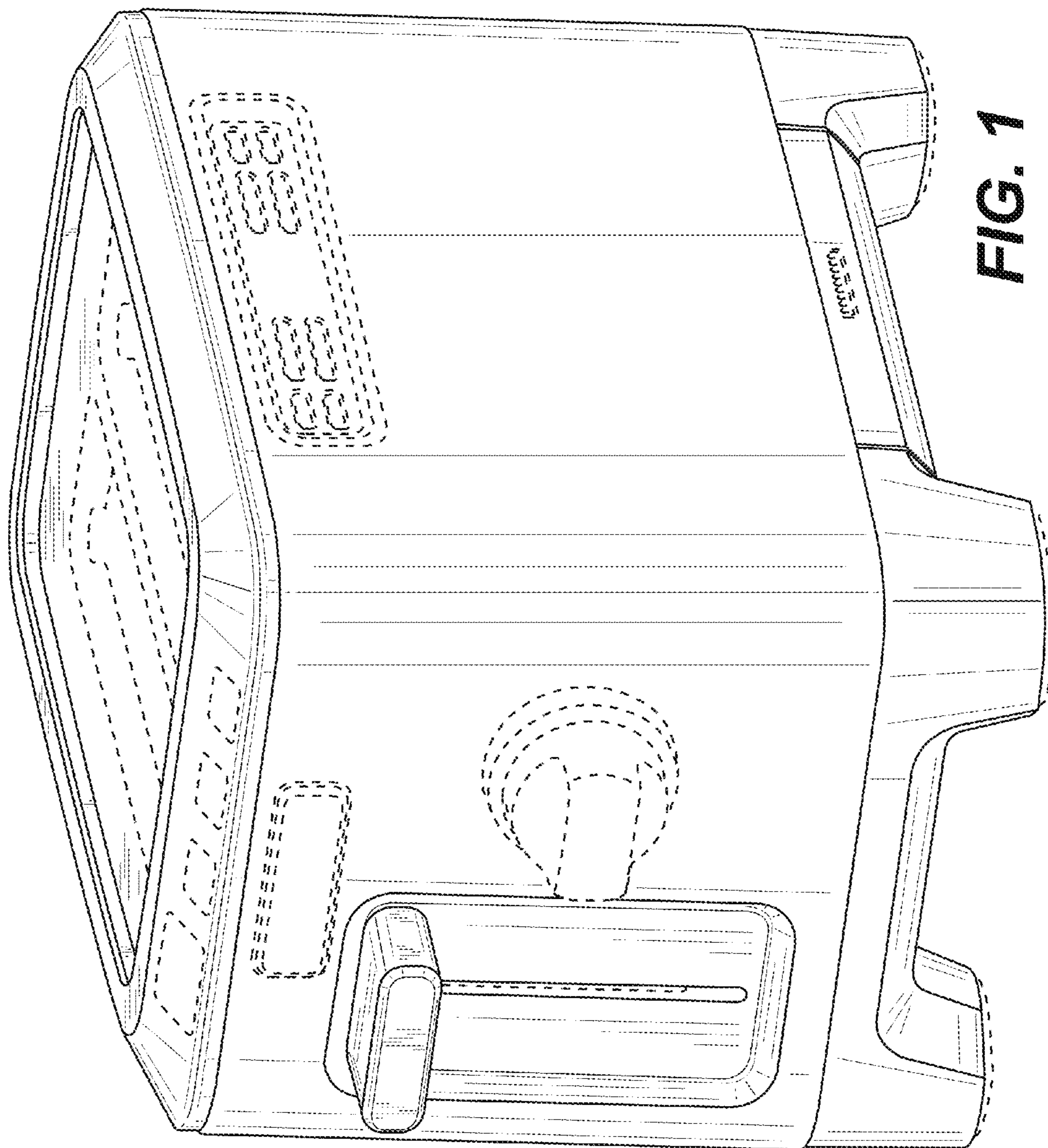
DESCRIPTION

FIG. 1 is a perspective view as seen from the top, front and right side of a toaster showing the new design;
 FIG. 2 is a front view thereof;
 FIG. 3 is a rear view thereof;
 FIG. 4 is a right side view thereof;
 FIG. 5 is a left side view thereof;
 FIG. 6 is a top view thereof; and
 FIG. 7 is a bottom view thereof.
 The broken lines in the drawings are included for illustrative purposes only and form no part of the claimed design.

1 Claim, 7 Drawing Sheets

- (56) **References Cited**
U.S. PATENT DOCUMENTS
D328,686 S * 8/1992 Wolfe D7/328
5,156,637 A 10/1992 Wai-Ching
D336,588 S * 6/1993 Myerly D7/328
D345,074 S * 3/1994 Myers D7/328
5,653,158 A 8/1997 Balandier et al.





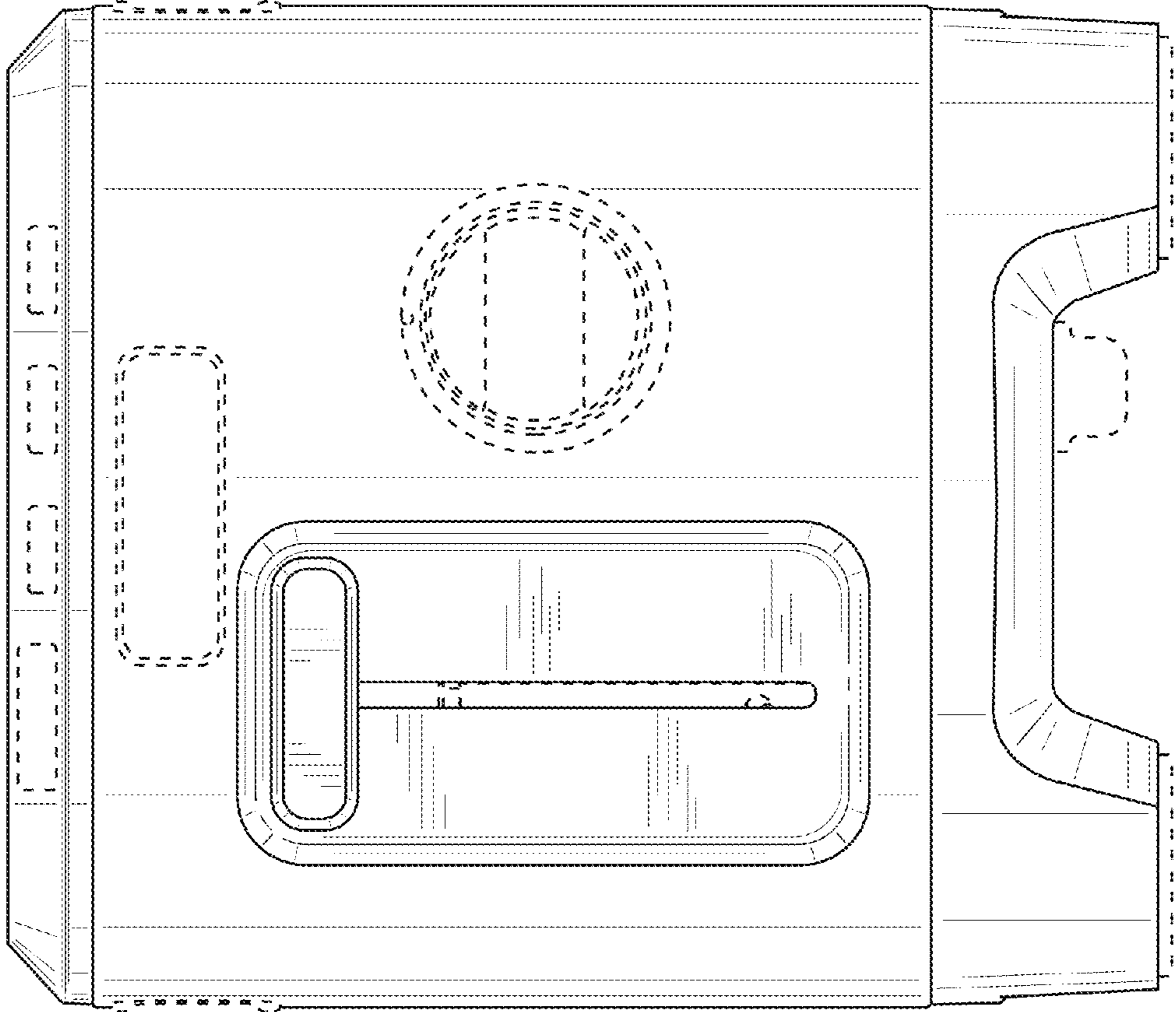


FIG. 2

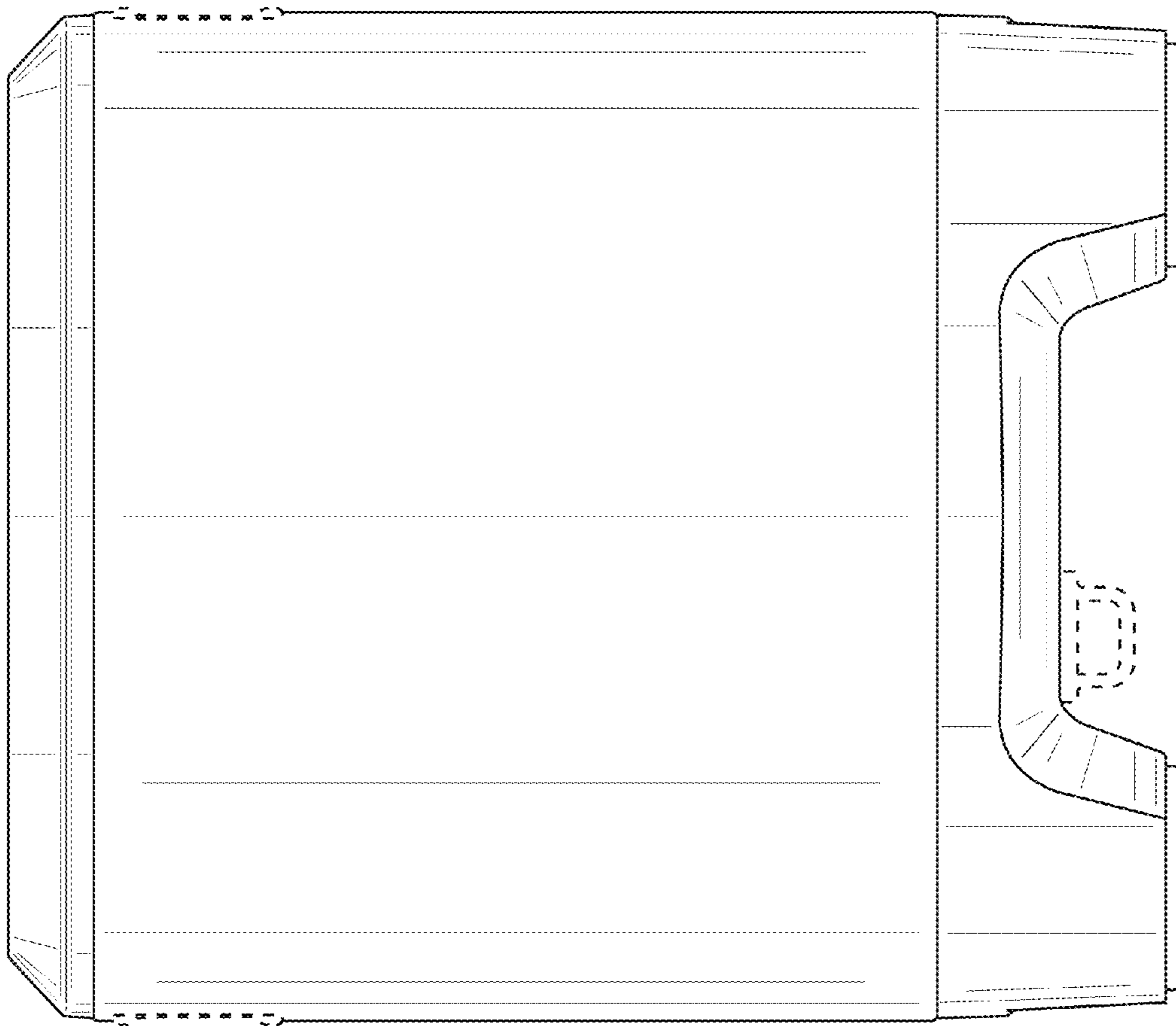
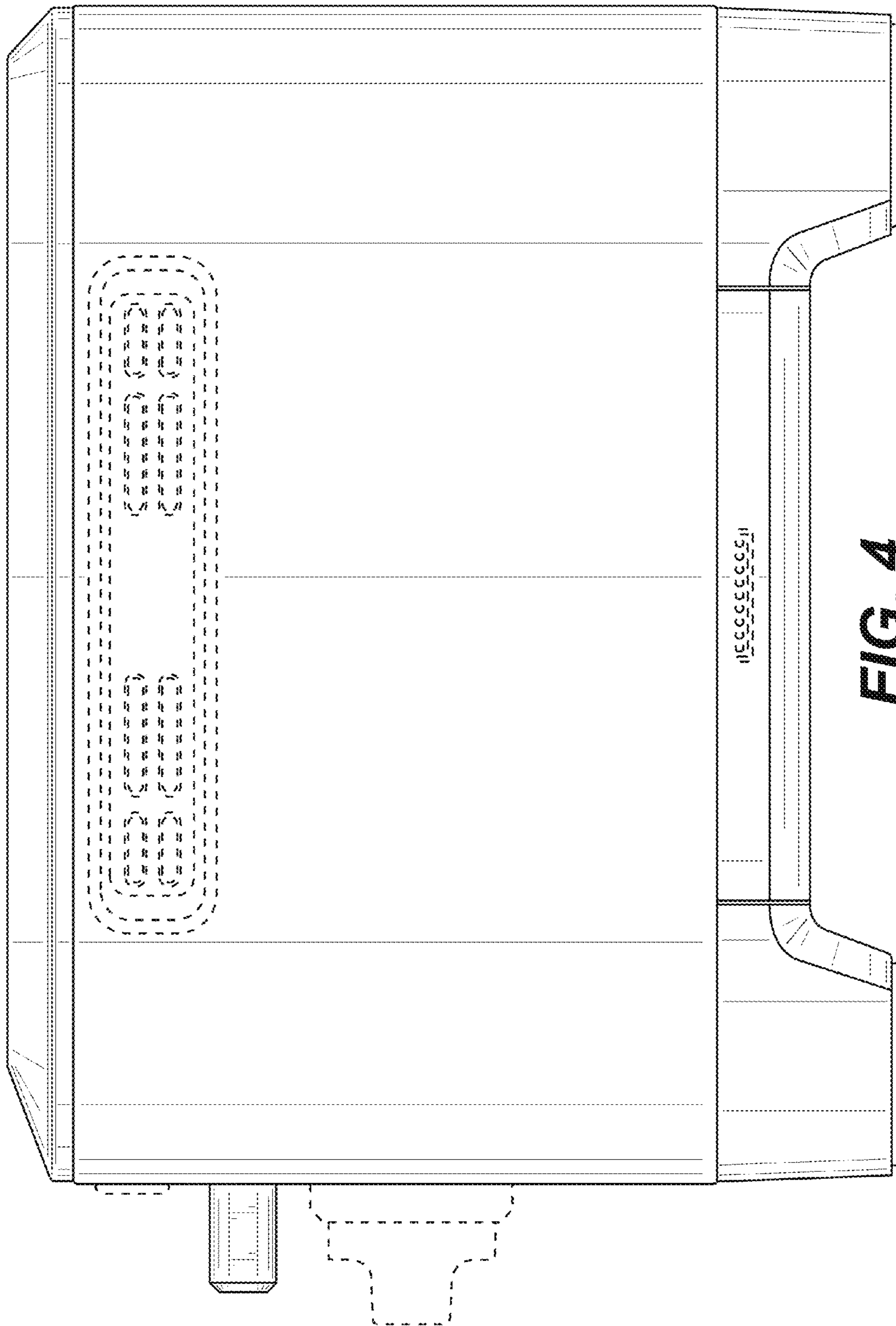


FIG. 3



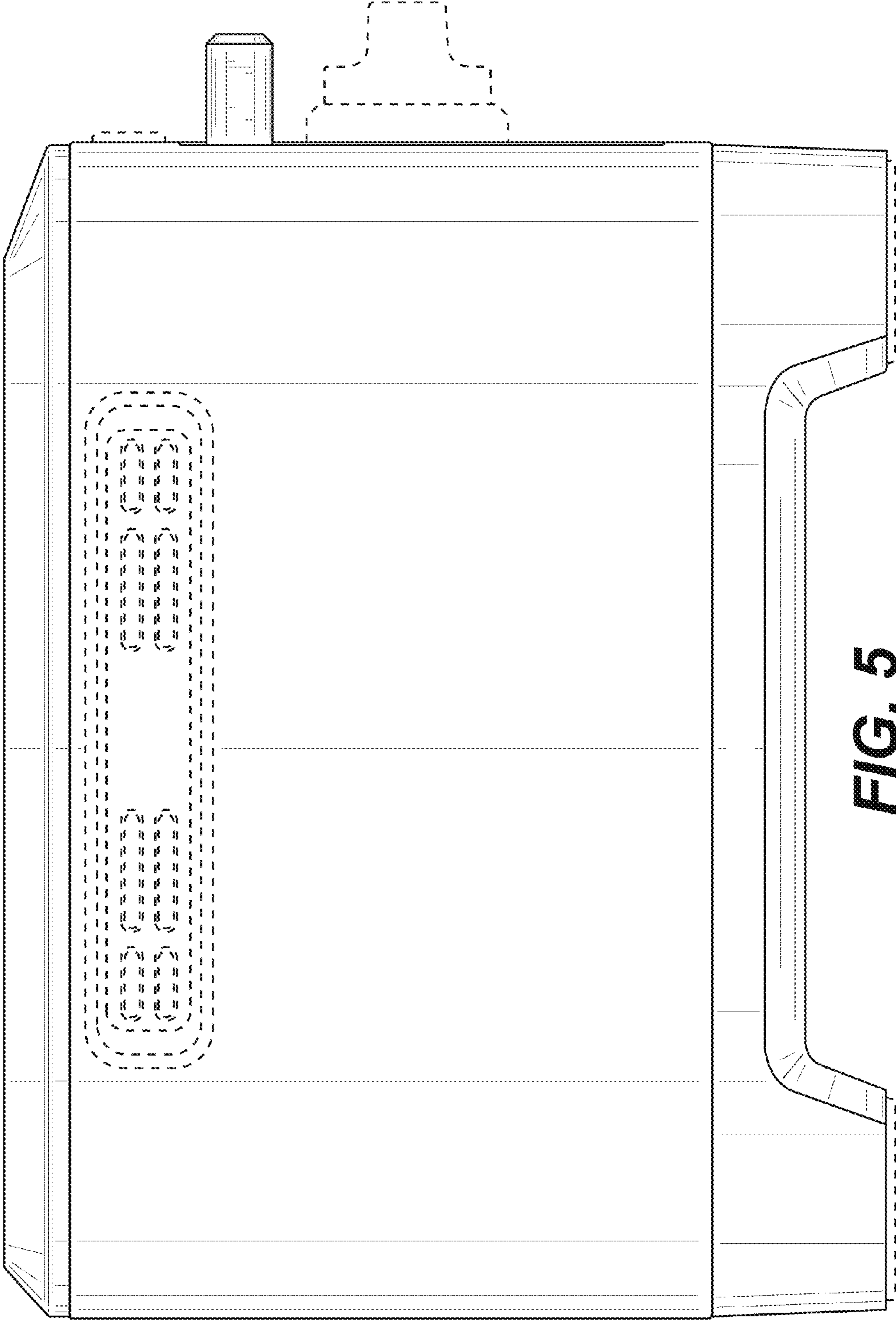


FIG. 5

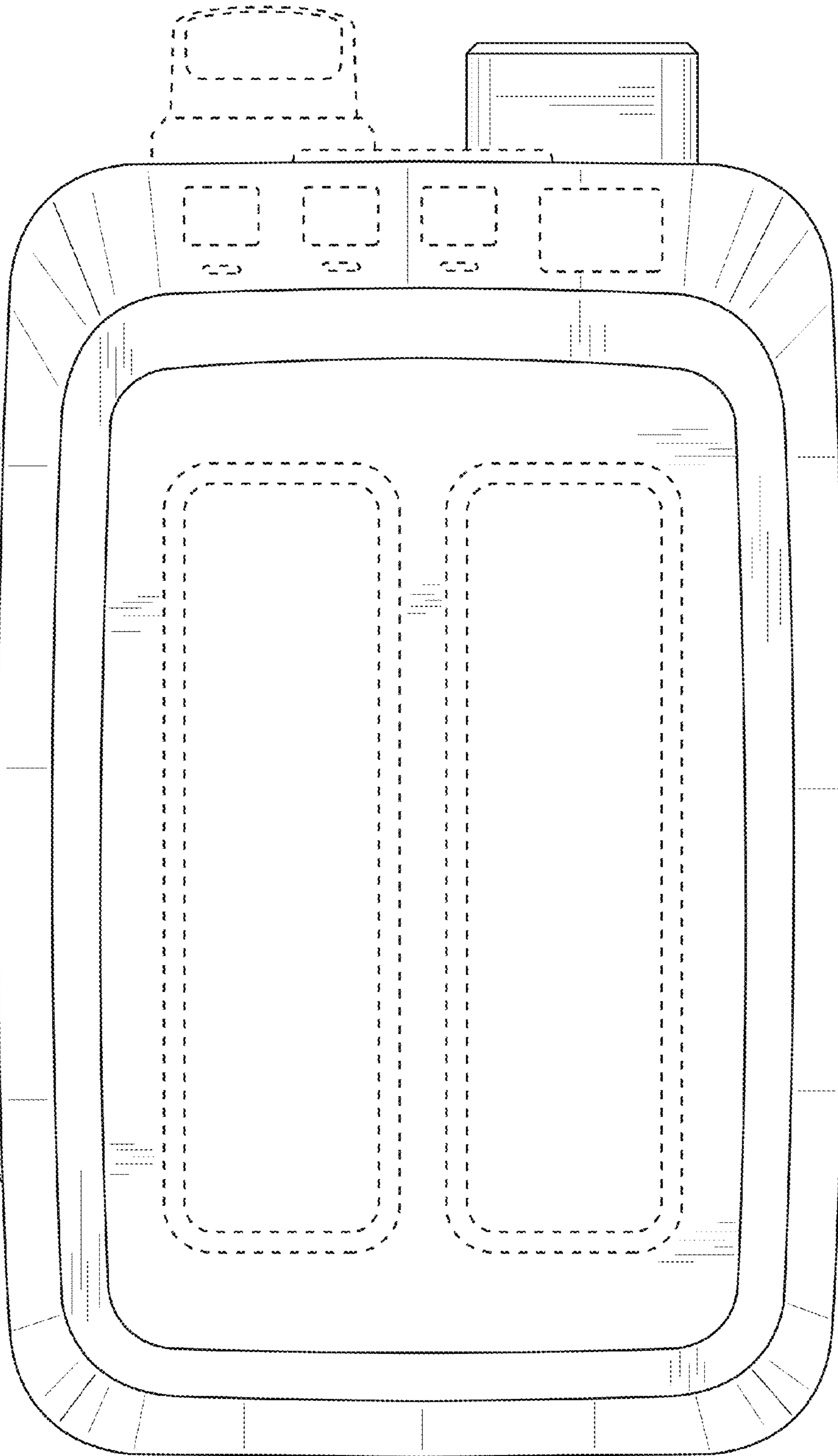


FIG. 6

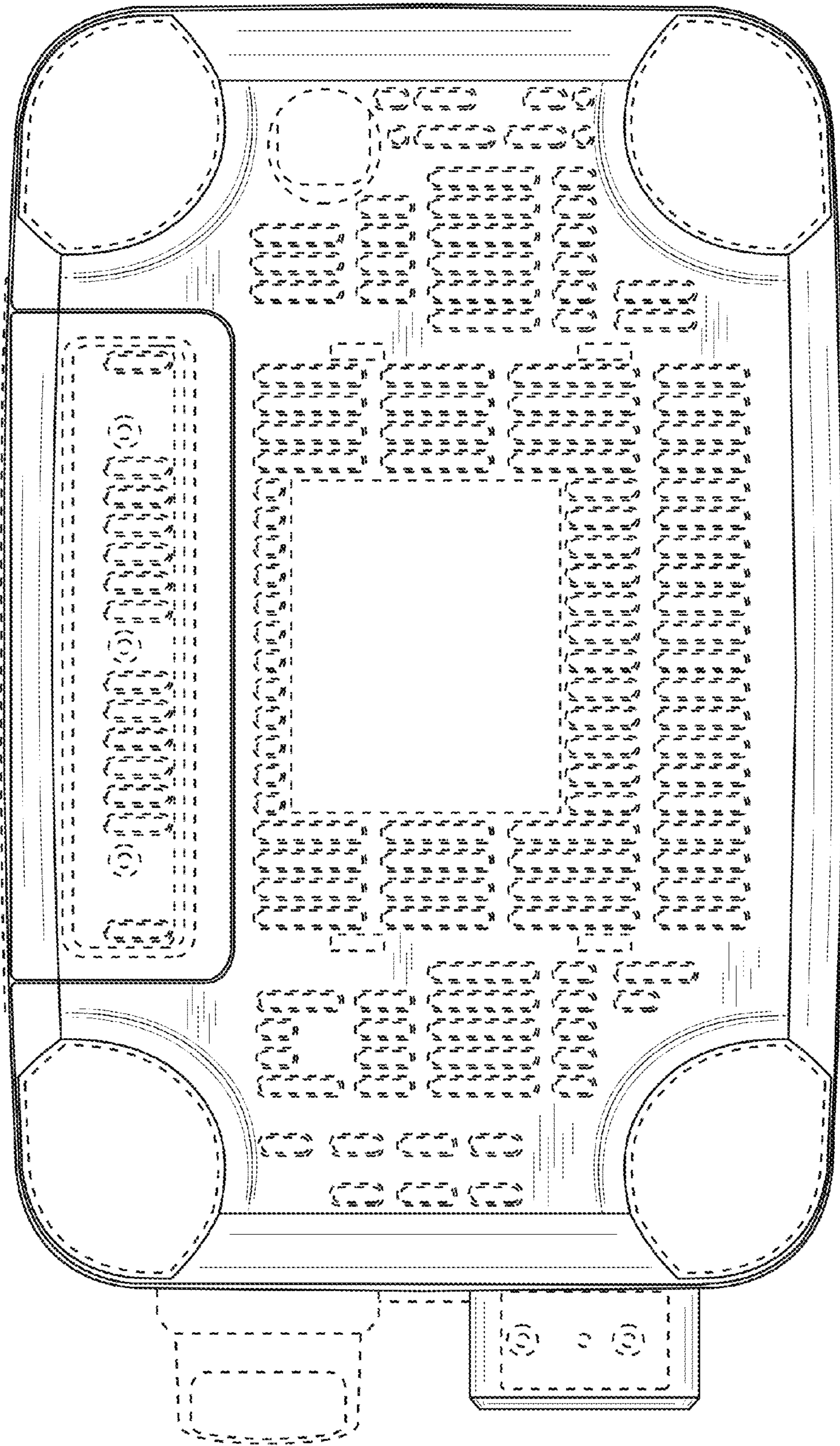


FIG. 7