

US00D749348S

(12) **United States Design Patent**
Carlson et al.

(10) **Patent No.:** **US D749,348 S**
(45) **Date of Patent:** **** Feb. 16, 2016**

- (54) **TOASTER**
- (71) Applicant: **Hamilton Beach Brands, Inc.**, Glen Allen, VA (US)
- (72) Inventors: **Drew Carlson**, Henrico, VA (US); **Delroy Dennisur**, Smyrna, GA (US); **Spencer Dodge**, Stone Mountain, GA (US); **Jonathan Dalton**, Marietta, GA (US)
- (73) Assignee: **Hamilton-Beach Brands, Inc.**, Glen Allen, VA (US)
- (**) Term: **14 Years**
- (21) Appl. No.: **29/509,674**
- (22) Filed: **Nov. 20, 2014**
- (51) **LOC (10) Cl.** **07-02**
- (52) **U.S. Cl.**
USPC **D7/330**
- (58) **Field of Classification Search**
USPC D7/323, 328-330, 390
CPC A21B 2/00; A47J 37/00; A47J 37/06; A47J 37/0611; A47J 37/08; A47J 37/0807; A47J 37/0814; A47J 37/0835; A47J 37/0842; A47J 37/085; A47J 37/0864; A47J 37/0871; A47J 37/0878; A47J 37/0885; A47J 37/0892; F24C 15/10; F24C 15/102
See application file for complete search history.

(56) **References Cited**

U.S. PATENT DOCUMENTS

- D328,686 S * 8/1992 Wolfe D7/328
- 5,156,637 A 10/1992 Wai-Ching
- D336,588 S * 6/1993 Myerly D7/328
- D345,074 S * 3/1994 Myers D7/328
- 5,653,158 A 8/1997 Balandier et al.
- 5,664,481 A 9/1997 Huggler
- D413,224 S * 8/1999 Cruz D7/330

- 5,943,948 A 8/1999 Tanaka
- D422,832 S * 4/2000 Gaynor D7/330
- 6,058,829 A * 5/2000 Endres A47J 37/0871
426/518
- 6,105,486 A 8/2000 Belknap et al.
- 6,311,609 B1 11/2001 Dotan
- 6,675,700 B2 1/2004 Hong
- 6,829,983 B2 12/2004 Arnedo et al.
- D503,581 S * 4/2005 Wong D7/330
- 7,047,871 B1 5/2006 Christoffel
- 7,351,939 B2 4/2008 Boyle et al.
- 7,472,644 B2 1/2009 Friel, Sr.
- D615,343 S * 5/2010 Bock D7/330
- D635,390 S * 4/2011 Duncan D7/330
- D640,894 S * 7/2011 Duncan D7/330
- D644,473 S * 9/2011 Pantaleo D7/330
- 8,015,916 B2 9/2011 Pan
- D655,126 S * 3/2012 Gregory D7/330
- D724,885 S * 3/2015 Kunz D7/330

FOREIGN PATENT DOCUMENTS

CN 101828875 B 1/2012

* cited by examiner

Primary Examiner — Ricky Pham

(74) *Attorney, Agent, or Firm* — Alexander D. Raring

(57) **CLAIM**

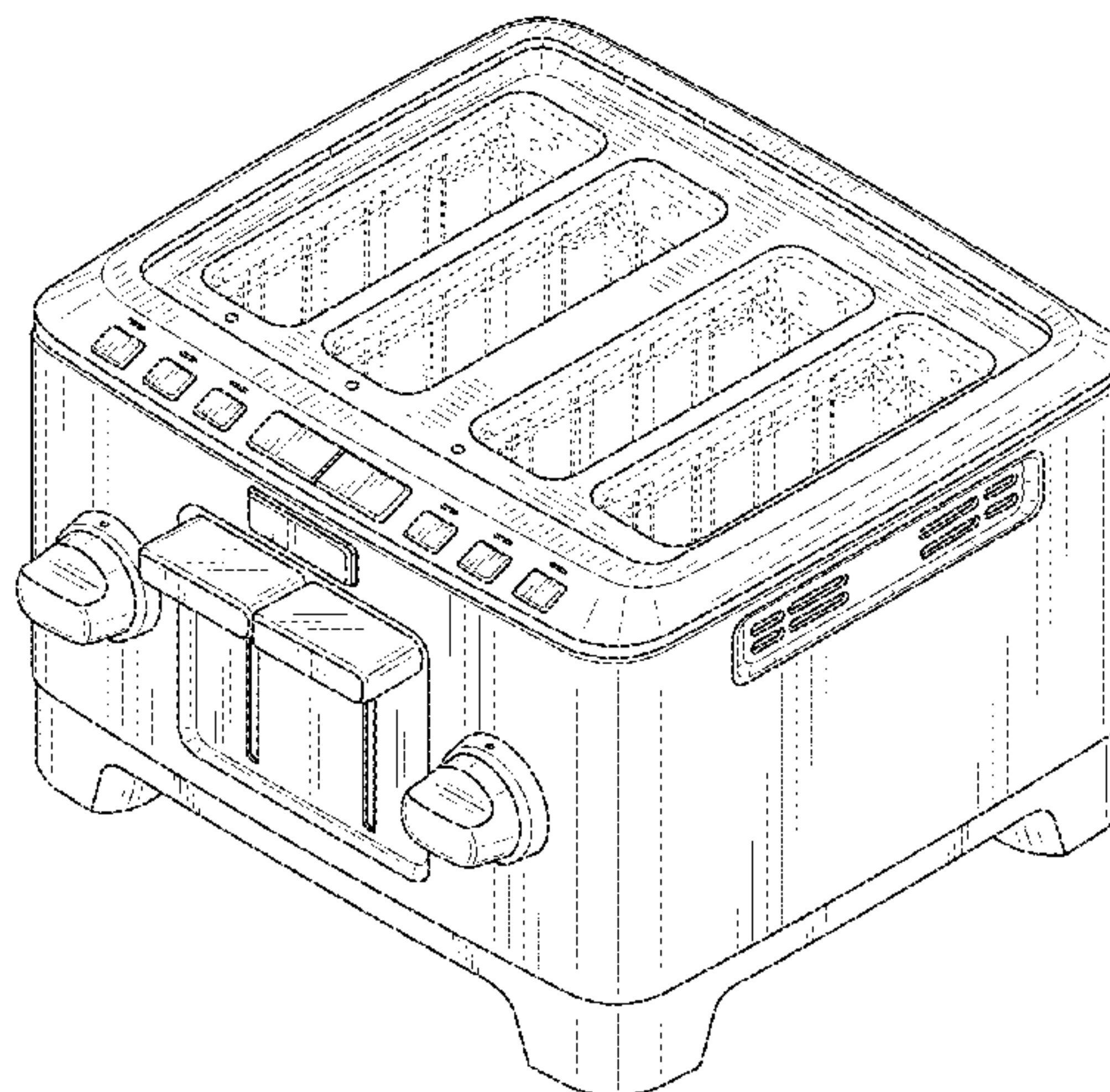
The ornamental design for a toaster, as shown and described.

DESCRIPTION

FIG. 1 is a perspective view as seen from the top, front and right side of a toaster showing the new design;
 FIG. 2 is a front view thereof;
 FIG. 3 is a rear view thereof;
 FIG. 4 is a left side view thereof;
 FIG. 5 is a right side view thereof;
 FIG. 6 is a top view thereof; and,
 FIG. 7 is a bottom view thereof.

The broken lines in the drawings are included for illustrative purposes only and form no part of the claimed design.

1 Claim, 7 Drawing Sheets



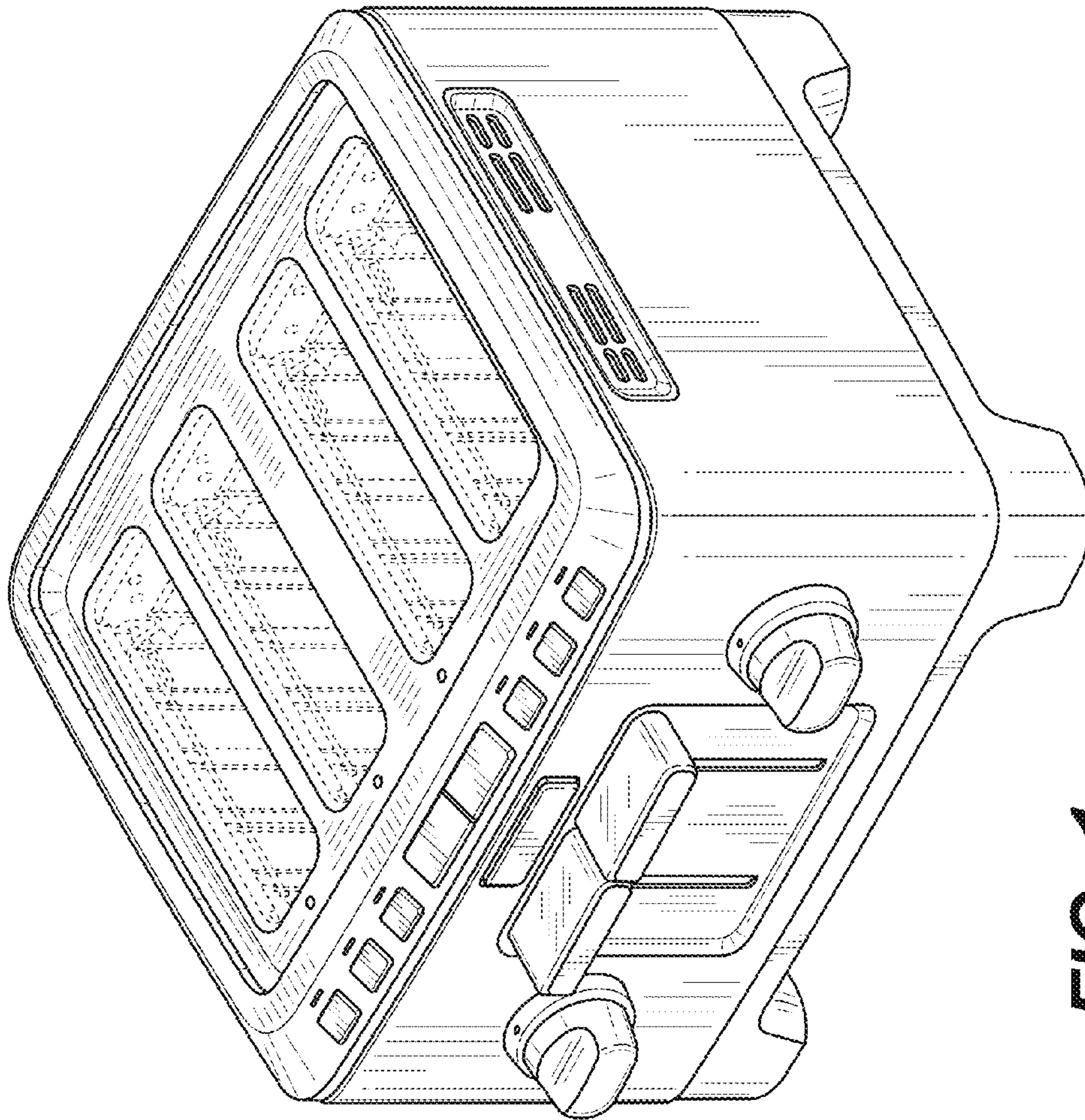


FIG. 1

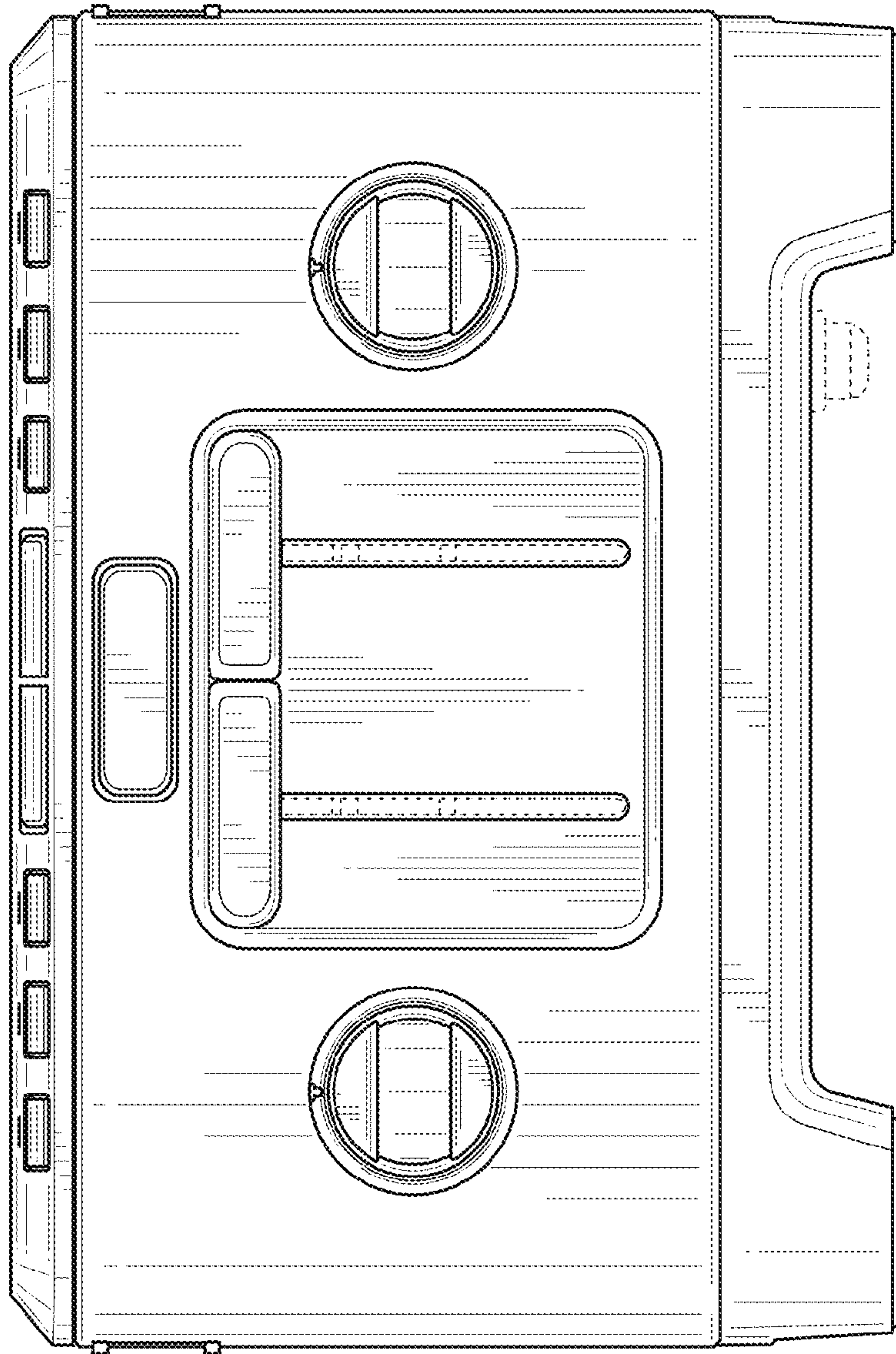


FIG. 2

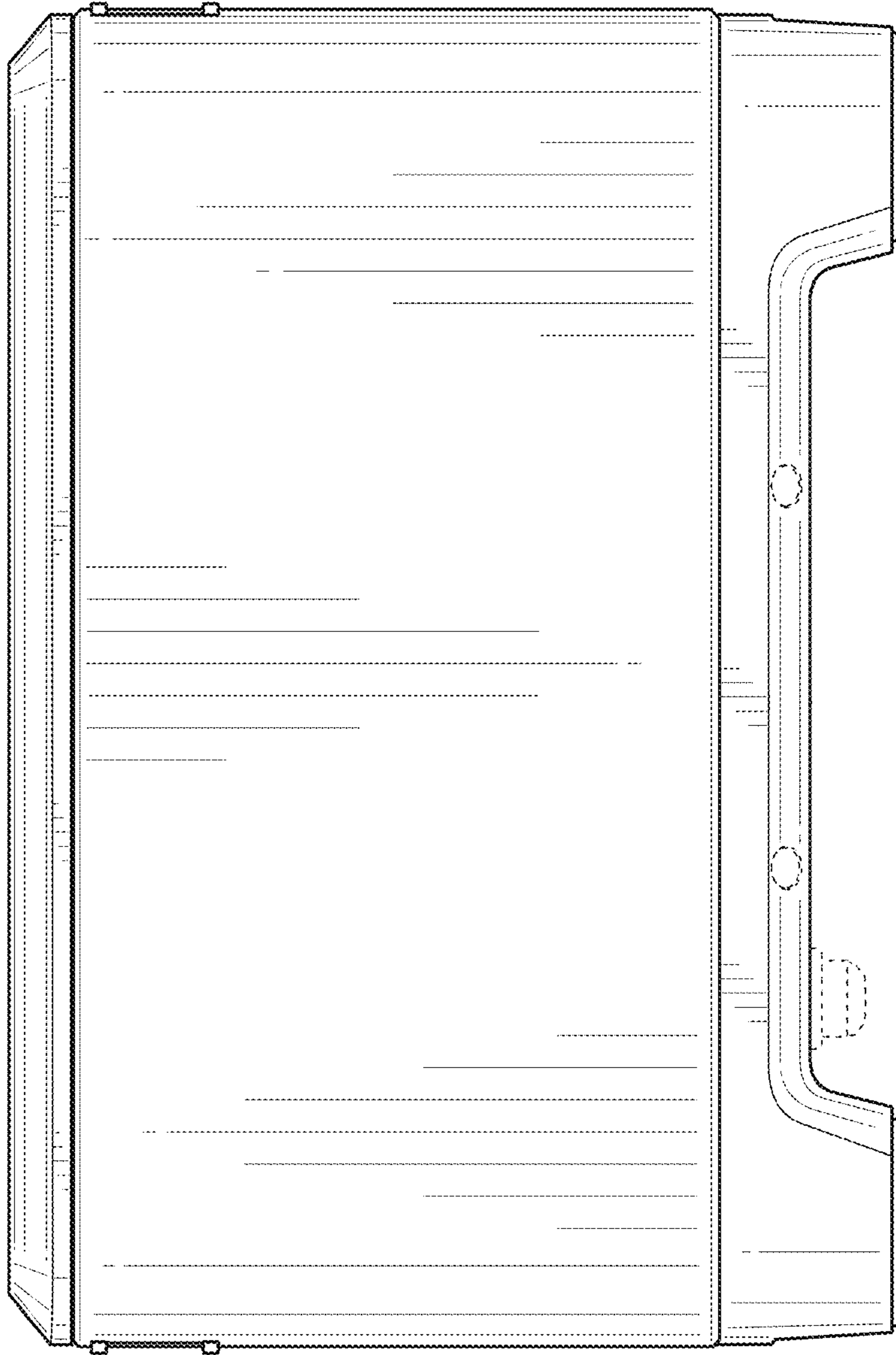


FIG. 3

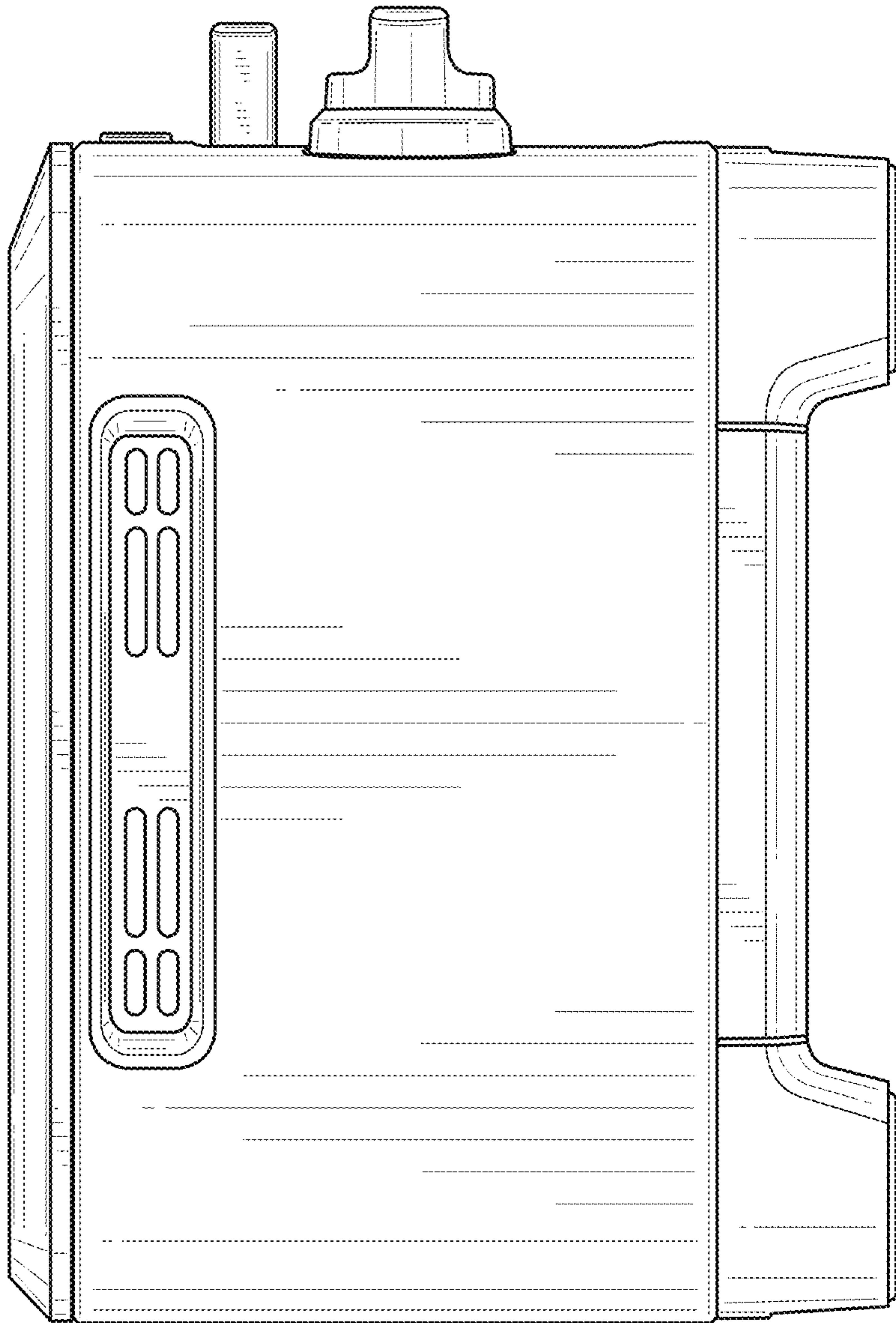


FIG. 4

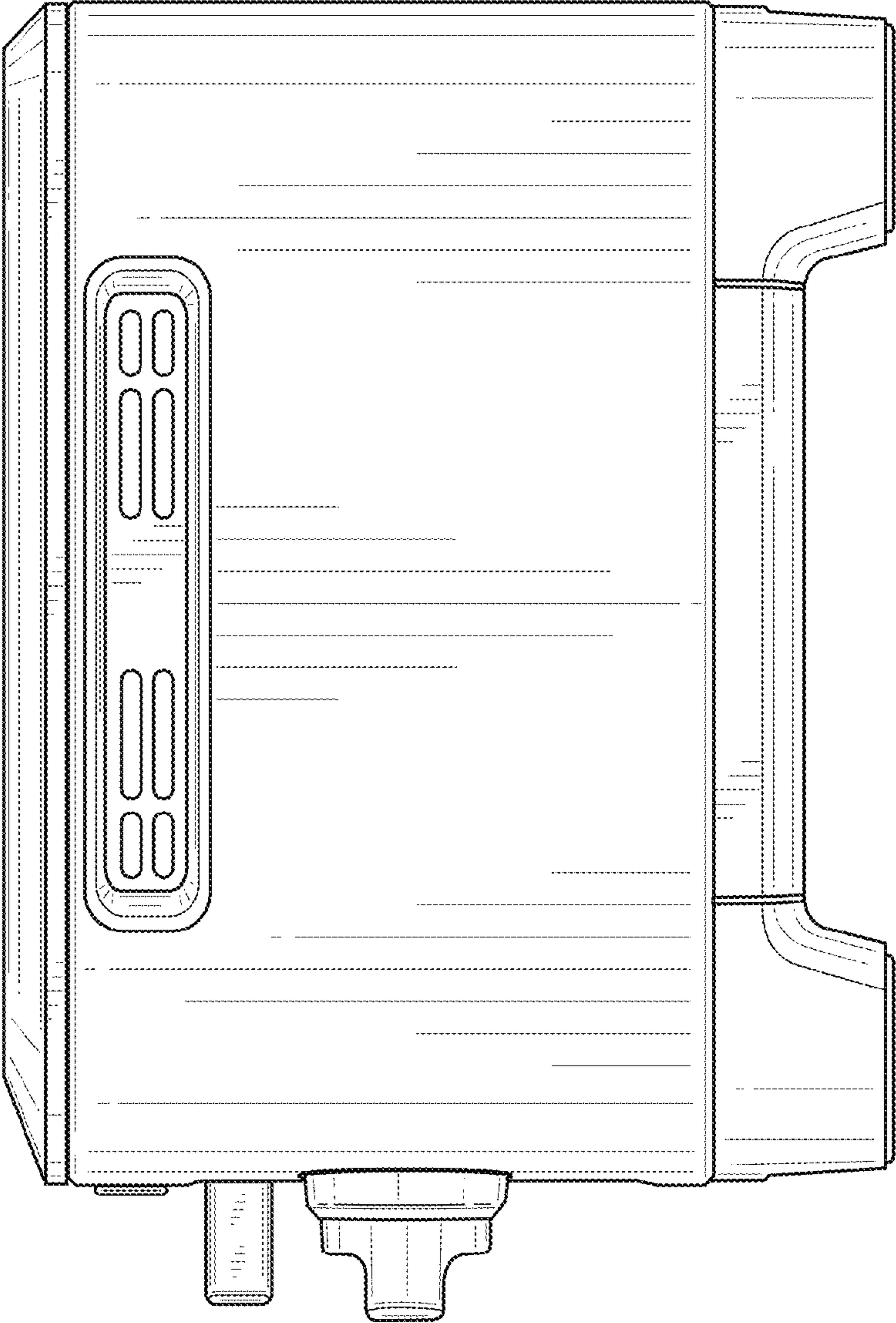


FIG. 5

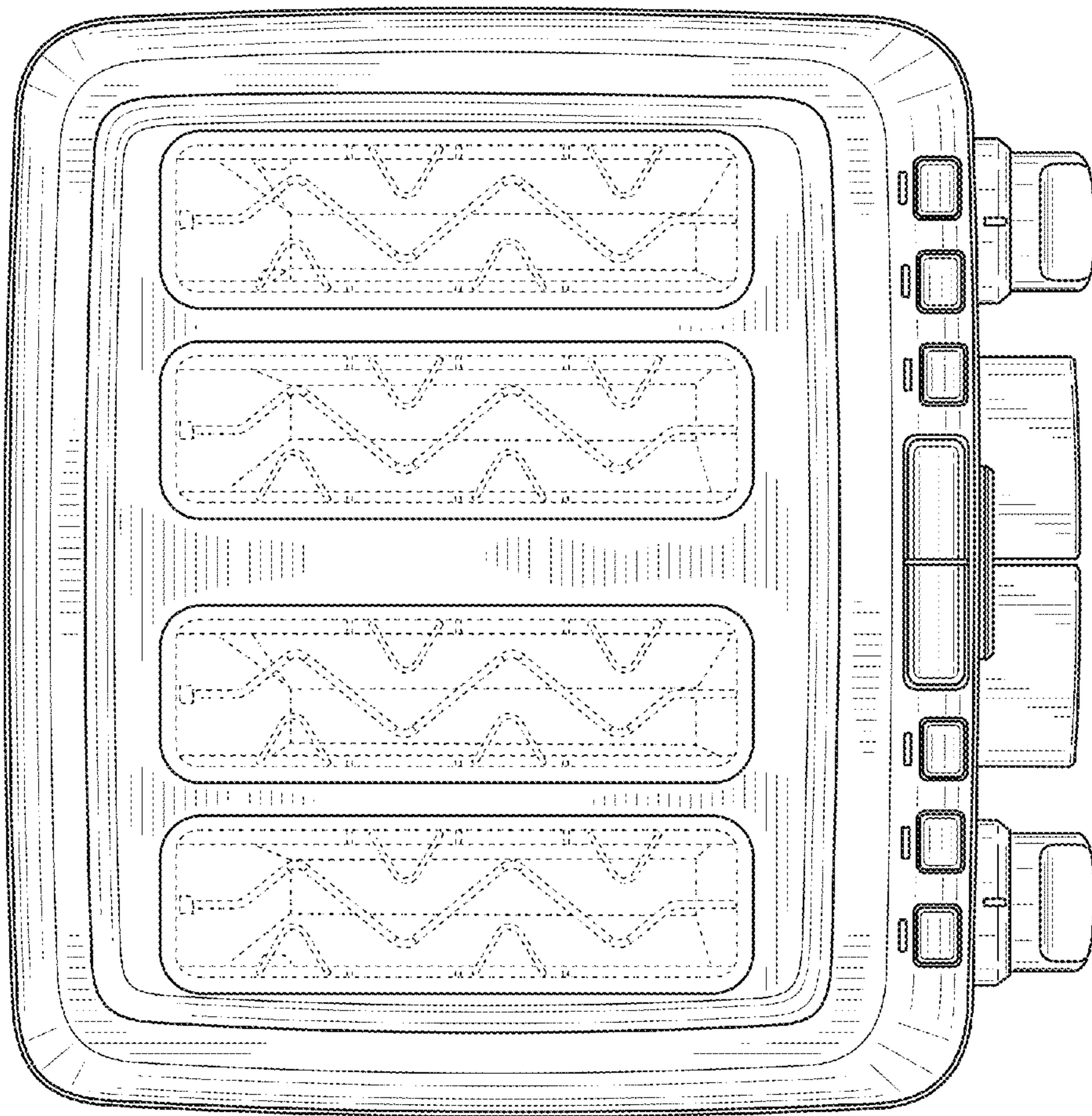


FIG. 6

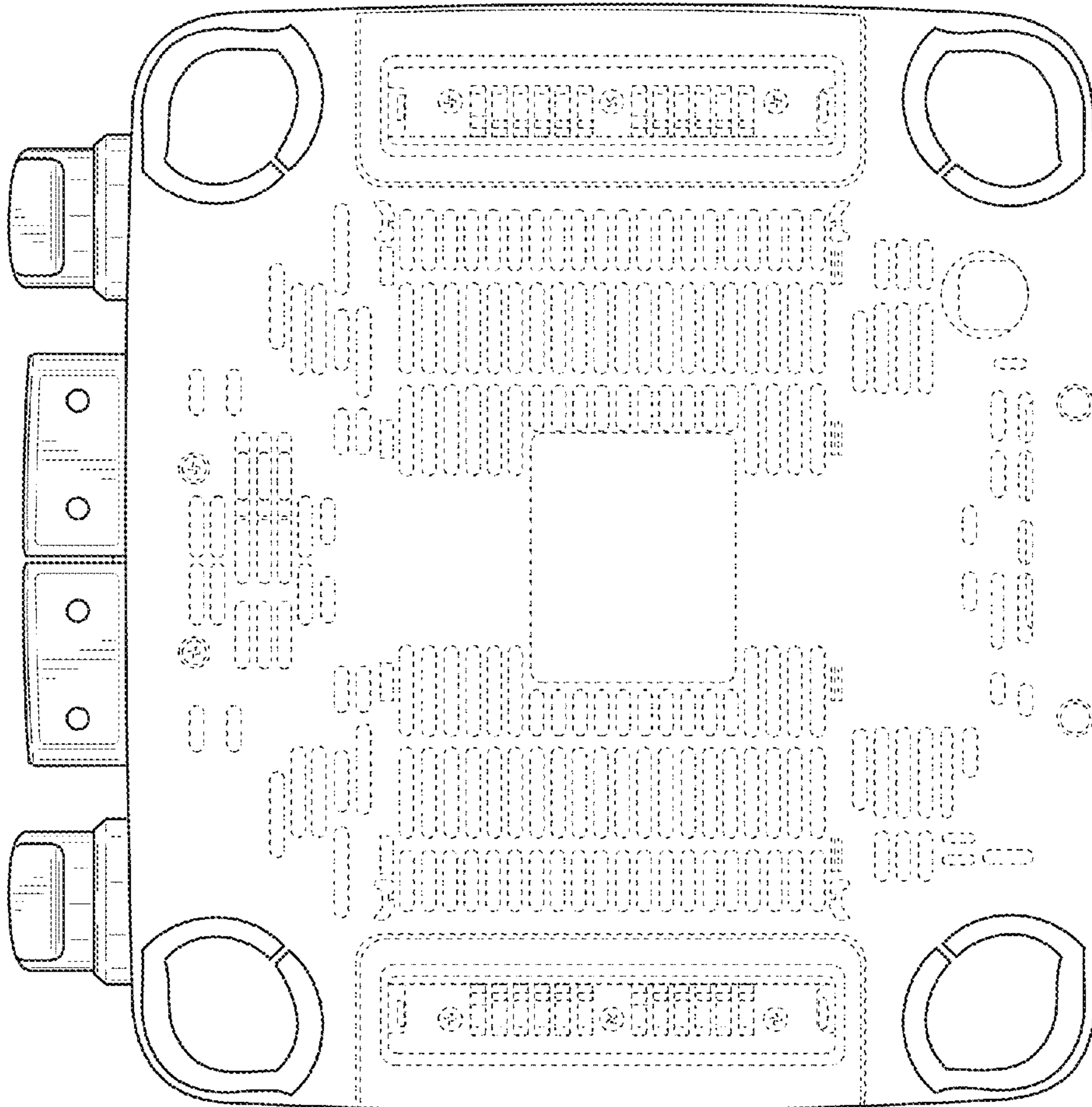


FIG. 7