



US00D749344S

(12) **United States Design Patent**
Belitz et al.

(10) **Patent No.:** **US D749,344 S**
(45) **Date of Patent:** **** Feb. 16, 2016**

- (54) **SUPPORT YOKE**
- (71) Applicant: **Swift Distribution, Inc.**, Torrance, CA (US)
- (72) Inventors: **Michael Belitz**, Manhattan Beach, CA (US); **Patrick M. Bertsch**, Thornton, CO (US)
- (73) Assignee: **Swift Distribution, LLC**, Loveland, CO (US)
- (**) Term: **14 Years**
- (21) Appl. No.: **29/479,896**
- (22) Filed: **Jan. 21, 2014**

- 414,962 A 11/1889 Anderson
- 438,238 A 10/1890 Jefferies et al.
- 566,361 A 8/1896 White
- 688,623 A 12/1901 Forry
- 730,062 A 6/1903 Widmer
- 742,453 A 10/1903 Lake
- 824,596 A 6/1906 Smith

(Continued)

FOREIGN PATENT DOCUMENTS

- WO 9520107 7/1995
- WO 2004065841 8/2004

(Continued)

OTHER PUBLICATIONS

“1993 Product Catalog (Music Stand Edition),” Ultimate Support Systems, Inc., 1993, 16 pages.

(Continued)

Related U.S. Application Data

- (63) Continuation-in-part of application No. 29/443,797, filed on Jan. 22, 2013.
- (51) **LOC (10) Cl.** **06-06**
- (52) **U.S. Cl.**
USPC **D6/682.3**
- (58) **Field of Classification Search**
USPC D6/396-397, 409-410, 419, 431, 449,
D6/498, 672, 678, 682, 682.1, 682.3;
108/150, 161; 248/121, 164, 166,
248/177.1
CPC A47F 5/00; A47F 5/04; A47F 5/10;
A47F 7/0021
See application file for complete search history.

Primary Examiner — Kelley Donnelly

(74) *Attorney, Agent, or Firm* — Sheridan Ross P.C.

(57) **CLAIM**

The ornamental design for a support yoke, as shown and described.

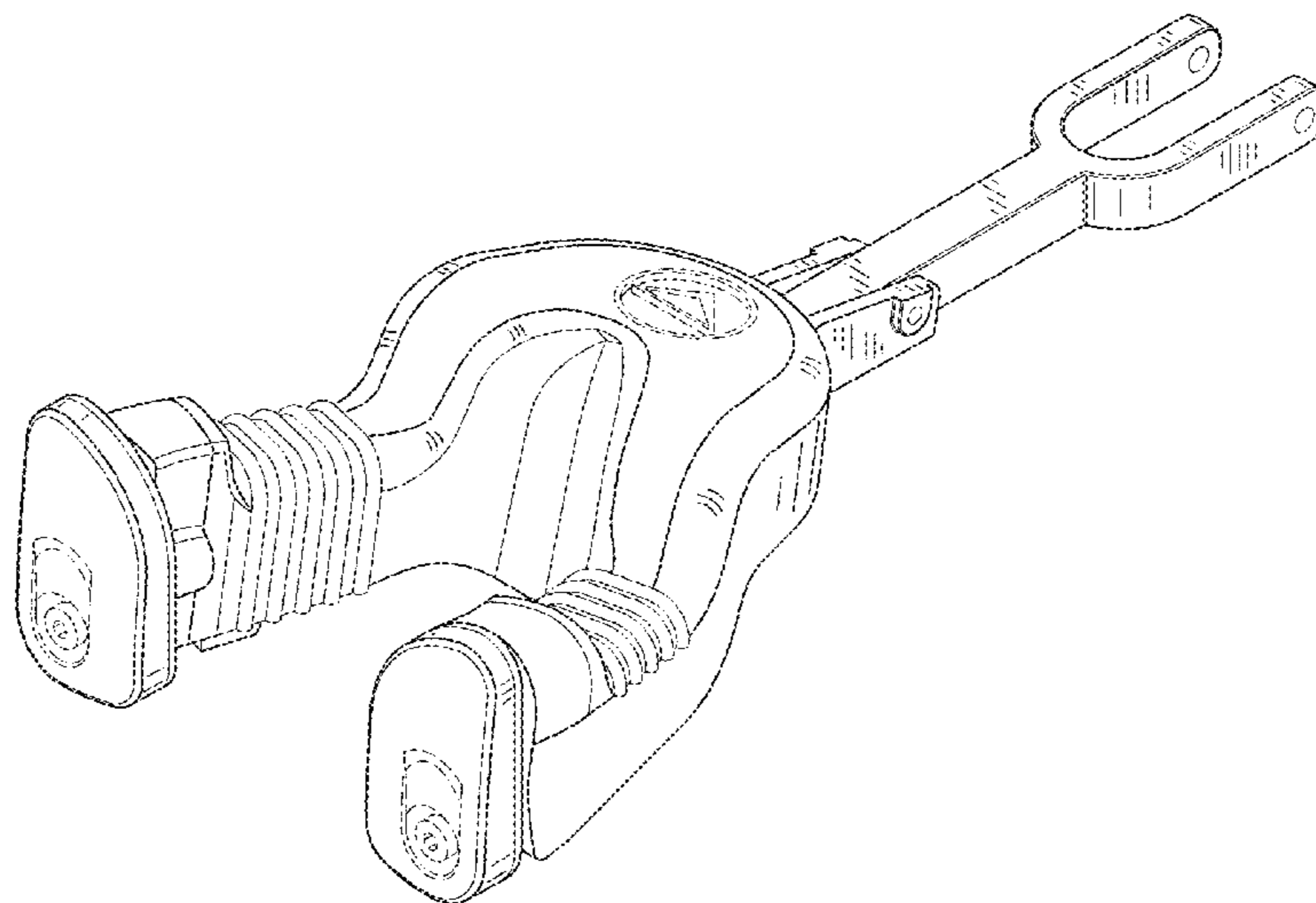
DESCRIPTION

FIG. 1 is a perspective view of a support yoke showing our new design;
FIG. 2 is a top view thereof;
FIG. 3 is a bottom view thereof;
FIG. 4 is a front view thereof;
FIG. 5 is a rear side view thereof;
FIG. 6 is a right side view thereof; and,
FIG. 7 is a left side view thereof.

The broken lines are for the purposes of illustrating the environment of the article only and form no part of the claimed design.

1 Claim, 7 Drawing Sheets

- (56) **References Cited**
U.S. PATENT DOCUMENTS
169,383 A 11/1875 Starr
230,851 A 8/1880 Anthony
259,957 A 6/1882 White
368,426 A 8/1887 Ruttman et al.
D18,940 S 2/1889 Jackson



(56)

References Cited

U.S. PATENT DOCUMENTS

958,052 A	5/1910	Williams	4,445,415 A	5/1984	Izquierdo
1,309,375 A	6/1919	Taylor	4,453,446 A	6/1984	Hoshino
1,376,593 A	5/1921	Tuttle	4,479,414 A	10/1984	Willis
1,574,899 A	3/1926	Kellogg	4,497,092 A	2/1985	Hoshino
1,612,148 A	12/1926	Oettinger	4,576,501 A	3/1986	McConnell
1,672,605 A	6/1928	Dobrick	4,579,229 A	4/1986	Porcaro et al.
1,673,205 A	6/1928	Romao	4,593,596 A	6/1986	Gauger
1,684,912 A	9/1928	Dunklau	4,596,484 A	6/1986	Nakatani
1,863,756 A	6/1932	Lufkin	4,606,525 A	8/1986	Lombardi
1,970,624 A	8/1934	Recker	4,634,307 A	1/1987	Gnaedinger et al.
D120,114 S	4/1940	Waechter	D288,755 S	3/1987	Schoenig
2,196,338 A	4/1940	McDaniel	D289,952 S	5/1987	Kido
D137,960 S	5/1944	Hagar	D290,355 S	6/1987	Nagele
D139,445 S	11/1944	Barger	4,669,691 A	6/1987	Solomon
2,630,342 A	3/1953	Gilmont	4,671,479 A	6/1987	Johnson et al.
2,652,221 A	9/1953	Kampa	4,684,091 A	8/1987	Moreschi
2,662,164 A	12/1953	Murray	4,691,610 A	9/1987	Gilbert
2,727,708 A	12/1955	Lorenzen	4,691,611 A	9/1987	May
2,754,616 A	7/1956	Law	4,693,161 A	9/1987	Uhrig
2,767,003 A	10/1956	Gilmont	4,695,021 A	9/1987	Leinfelder
2,817,548 A	12/1957	Uthemann	4,697,773 A	10/1987	Juamann et al.
2,902,592 A	9/1959	Cole et al.	4,712,756 A	12/1987	Kester et al.
3,191,484 A	6/1965	Walling	D295,471 S	5/1988	Lindskog
3,290,770 A	12/1966	Silverman et al.	4,744,536 A	5/1988	Bancalari
3,338,539 A	8/1967	Foster	4,744,690 A	5/1988	Hsieh
3,405,587 A	10/1968	Meazzi et al.	D296,130 S	6/1988	Riske
3,463,520 A	8/1969	Turro	4,761,092 A	8/1988	Nakatani
3,495,853 A	2/1970	Furrer	4,763,864 A	8/1988	Healy
3,514,066 A	5/1970	Singleton et al.	4,763,865 A	8/1988	Danner
3,514,091 A	5/1970	Johnson et al.	4,768,798 A	9/1988	Reed et al.
3,526,380 A	9/1970	Tong	4,770,380 A	9/1988	Eason et al.
3,535,976 A	10/1970	Osuga	4,785,708 A	11/1988	Vaughan
3,576,149 A	4/1971	Slingerland, Jr.	D298,813 S	12/1988	Borromeo
3,603,623 A	9/1971	Widman	D299,244 S	1/1989	Jones et al.
3,604,734 A	9/1971	Friedman et al.	4,796,508 A	1/1989	Hoshino
3,704,645 A	12/1972	Grauso et al.	4,807,837 A	2/1989	Gawlik et al.
3,709,454 A	1/1973	Hyde	4,818,135 A	4/1989	Desjardins
3,711,054 A	1/1973	Bauer	4,844,392 A	7/1989	Bauer et al.
3,737,137 A	6/1973	Sheehan	4,852,830 A	8/1989	Howard et al.
D229,132 S	11/1973	Uroshevich	4,865,346 A	9/1989	Carlile
3,788,587 A	1/1974	Stemmler	D304,270 S	10/1989	Goldman
3,804,355 A	4/1974	Uroshevich	4,890,531 A	1/1990	Tischer
3,823,245 A	7/1974	Suzuki	D306,943 S	4/1990	Hodge et al.
3,843,083 A	10/1974	Antigaud	4,917,341 A	4/1990	Pirchio
2,433,594 A	12/1974	Calo	4,923,156 A	5/1990	Linneusson
3,881,675 A	5/1975	Matchett	4,946,122 A	8/1990	Ramsey et al.
D236,227 S	8/1975	Kester	4,948,076 A	8/1990	Sumrell et al.
3,945,291 A	3/1976	Zickos	4,958,793 A	9/1990	Hess
3,958,786 A	5/1976	Mann	4,971,271 A	11/1990	Sularz
3,981,491 A	9/1976	Snyder	4,988,064 A	1/1991	Hoshino
3,989,211 A	11/1976	Gundlach	4,988,150 A	1/1991	Lindow et al.
3,989,321 A	11/1976	McCloskey	5,029,796 A	7/1991	Schoenig
3,997,724 A	12/1976	Seebinger	D320,034 S	9/1991	Brooks et al.
4,010,922 A	3/1977	Heller et al.	5,048,789 A	9/1991	Eason et al.
4,061,302 A	12/1977	Boone	5,060,894 A	10/1991	Hillinger
4,078,757 A	3/1978	Waters	D321,293 S	11/1991	Kucsak
4,102,219 A	7/1978	Plamper	5,062,606 A	11/1991	Hoshino
4,108,423 A	8/1978	Skubal	5,063,821 A	11/1991	Battle
4,111,575 A	9/1978	Hoshino	5,069,254 A	12/1991	Vogelsang
4,140,415 A	2/1979	Koyamato	D323,081 S	1/1992	Schaffer
4,141,272 A	2/1979	Yanagisawa	5,078,351 A	1/1992	Gualtieri
4,158,981 A	6/1979	Kurosaki	5,109,321 A	4/1992	Maglica
4,185,936 A	1/1980	Takahaski	D326,108 S	5/1992	Sassmannshausen
4,227,049 A	10/1980	Thompson et al.	5,112,020 A	5/1992	Ginsberg
D257,987 S	1/1981	Schoenig	5,112,071 A	5/1992	Jones
4,307,864 A	12/1981	Benoit	D326,969 S	6/1992	Eason et al.
4,321,874 A	3/1982	Cenna	D328,898 S	8/1992	Christie
D264,852 S	6/1982	Schoenig	5,140,889 A	8/1992	Segan et al.
4,352,480 A	10/1982	Gathright	D329,342 S	9/1992	Schoenig
4,357,651 A	11/1982	Mayer	5,154,449 A	10/1992	Suei/Long
D268,458 S	4/1983	Schoenig	5,161,761 A	11/1992	May
4,397,088 A	8/1983	Hampel	5,165,635 A	11/1992	Hoshino
4,405,107 A	9/1983	Clyburn	5,169,104 A	12/1992	Kwoh
4,408,924 A	10/1983	Huebner	5,182,416 A	1/1993	Schweizer
4,430,017 A	2/1984	Stefancich	D332,882 S	2/1993	Graves
			5,188,321 A	2/1993	Hirschenson et al.
			5,199,930 A	4/1993	Weber
			D335,889 S	5/1993	Gibran
			5,208,736 A	5/1993	Crooks et al.

(56)

References Cited

U.S. PATENT DOCUMENTS

5,213,296 A	5/1993	Lee	5,949,009 A	9/1999	Chen
D336,099 S	6/1993	Scheonig	D414,962 S	10/1999	Welsh
5,251,925 A	10/1993	Haley, Sr.	5,973,248 A	10/1999	Chen
5,301,910 A	4/1994	Lang et al.	D416,464 S	11/1999	Eason
D346,920 S	5/1994	Vidal	5,979,856 A	11/1999	Hsu
5,312,076 A	5/1994	Rogov	5,996,814 A	12/1999	Workman et al.
5,322,250 A	6/1994	Wilhite	D421,447 S	3/2000	Eason et al.
5,337,646 A	8/1994	Austin	6,045,179 A	4/2000	Harrison
5,340,066 A	8/1994	Ditch	6,054,645 A	4/2000	Gauger
5,358,204 A	10/1994	Terada	6,062,396 A	5/2000	Eason
D353,729 S	12/1994	MacOwan	6,070,835 A	6/2000	Stillinger
5,375,497 A	12/1994	Pirchio et al.	6,073,903 A	6/2000	Lindsay
5,383,637 A	1/1995	Biber	6,075,190 A	6/2000	Mosser et al.
5,390,764 A	2/1995	Kerber	6,093,878 A	7/2000	Hoshino
5,392,476 A	2/1995	Williams	2,096,956 A	8/2000	Hoshino
5,393,161 A	2/1995	Mata et al.	6,121,527 A *	9/2000	Hamm 84/327
D356,759 S	3/1995	Pawsat	6,121,538 A	9/2000	Yoshino et al.
5,395,088 A	3/1995	Ginsberg	D435,365 S	12/2000	Eason et al.
D356,901 S	4/1995	Schoenig et al.	6,189,229 B1	2/2001	Thomas et al.
D358,048 S	5/1995	Schoenig et al.	D438,783 S	3/2001	Elliott
D360,887 S	8/1995	Karanze	D445,274 S	7/2001	Gasmi
5,454,473 A	10/1995	Hennessey	6,260,812 B1	7/2001	Auke
D364,281 S	11/1995	Eason	6,264,396 B1	7/2001	Dobrovolny
D364,516 S	11/1995	Helenowski	6,271,458 B1	8/2001	Yoshino et al.
5,467,680 A	11/1995	Kurosaki	6,283,421 B1	9/2001	Eason et al.
5,467,953 A	11/1995	Malizia	D450,339 S	11/2001	Eason
5,498,098 A	3/1996	Cairns	6,312,184 B1	11/2001	Hoshino
5,501,544 A	3/1996	Cairns	D451,494 S	12/2001	Oikawa
5,505,413 A	4/1996	Hennessey	6,338,738 B1	1/2002	Bellotti et al.
5,509,629 A	4/1996	Sassmannshausen et al.	6,343,802 B1	2/2002	Workman et al.
5,520,292 A	5/1996	Lombardi	6,344,605 B1	2/2002	Liao
D370,575 S	6/1996	Lechleiter et al.	6,346,665 B1	2/2002	Liao
5,531,148 A	7/1996	Wilson	D454,263 S	3/2002	Worrall
5,531,413 A	7/1996	Wolf et al.	6,375,135 B1	4/2002	Eason et al.
D372,691 S	8/1996	Eason	6,384,308 B1	5/2002	Hoshino
5,565,889 A	10/1996	Crooks et al.	6,386,786 B1	5/2002	Perlman et al.
D375,639 S	11/1996	House et al.	6,394,408 B1	5/2002	Henderson et al.
5,570,968 A	11/1996	Sassmannshausen et al.	6,484,977 B1	11/2002	Yu
5,572,237 A	11/1996	Crooks et al.	D468,133 S	1/2003	Lauts
5,603,480 A	2/1997	Chen	D470,336 S	2/2003	Malizia
5,645,253 A	7/1997	Hoshino	6,513,774 B2	2/2003	Hailson
5,660,364 A	8/1997	Hsieh	6,513,846 B2	2/2003	McCauley
D383,967 S	9/1997	DeMars	6,520,465 B1	2/2003	Sack et al.
5,664,756 A	9/1997	Liao	D471,891 S	3/2003	Oikawa
5,667,185 A	9/1997	Maglica	6,536,720 B1	3/2003	Yu
5,669,695 A	9/1997	Parker et al.	6,557,878 B2	5/2003	Chen
D390,953 S	2/1998	Ward et al.	6,563,035 B2	5/2003	Hsieh
5,713,547 A	2/1998	Yu	D475,555 S	6/2003	Lauts
5,713,553 A	2/1998	Cooper	D476,290 S *	6/2003	Gates et al. D12/408
5,726,369 A	3/1998	Gilday	6,581,892 B2	6/2003	Carnevali
5,732,928 A	3/1998	Chang	6,588,637 B2 *	7/2003	Gates et al. 224/546
5,738,326 A	4/1998	Liao	6,610,916 B1	8/2003	Torrez
5,744,738 A	4/1998	Gatzen	6,619,598 B2	9/2003	DeMiranda
5,756,912 A	5/1998	Liao	D481,563 S	11/2003	Hsieh
D396,579 S	8/1998	Kalayjian	6,653,540 B2	11/2003	Izen et al.
5,803,642 A	9/1998	Sassmannshausen	6,666,427 B2	12/2003	Hennessey
5,804,747 A	9/1998	Chen	6,670,536 B2	12/2003	Godin et al.
D400,565 S	11/1998	Ahl	6,676,570 B2	1/2004	Valentino
D400,735 S	11/1998	House et al.	6,695,268 B1	2/2004	Hsieh
5,833,051 A	11/1998	Tiefenbrun et al.	D488,803 S	4/2004	Chin
5,857,649 A	1/1999	Eason	6,719,257 B1	4/2004	Greene et al.
5,860,728 A	1/1999	Maglica	6,722,810 B1	4/2004	Tachikawa
5,881,667 A	3/1999	Herbert	D492,587 S	7/2004	Eason
5,894,406 A	4/1999	Blend et al.	D493,363 S	7/2004	Eason
5,895,874 A	4/1999	Liao	6,789,772 B2	9/2004	Eason
D409,020 S	5/1999	Hardin	D497,904 S	11/2004	Dardashti
D409,594 S	5/1999	Lepack	6,814,332 B2	11/2004	Eason
5,899,627 A	5/1999	Dobrovolny	6,830,225 B2	12/2004	Kato
D411,698 S	6/1999	Kalayjian	6,830,227 B2	12/2004	Nakatani
5,911,523 A	6/1999	Burchart	D506,219 S	6/2005	Eason
5,926,961 A	7/1999	Uhl	D506,918 S	7/2005	Nakajima
5,929,355 A	7/1999	Adinolfi	6,988,696 B2	1/2006	Attee
5,934,628 A	8/1999	Bosnakovic	D515,555 S	2/2006	Liang
D413,995 S *	9/1999	Lee et al. D26/63	7,005,568 B2	2/2006	Hsieh
5,949,008 A	9/1999	Augsburger	7,007,901 B2	3/2006	Kondo
			7,007,909 B2	3/2006	Hsieh
			7,055,910 B2	6/2006	Wright
			7,191,988 B2	3/2007	Kim et al.
			D547,643 S *	7/2007	Ratajczek et al. D8/395

(56)

References Cited

U.S. PATENT DOCUMENTS

7,258,320 B2 8/2007 Tai
 D555,946 S 11/2007 DeJule
 D557,035 S 12/2007 Huang
 D560,847 S * 1/2008 Ladewig D26/141
 7,320,449 B2 1/2008 Hsieh
 D562,307 S 2/2008 Warden
 D567,547 S 4/2008 Gauger
 7,384,078 B2 6/2008 Cobb et al.
 7,412,069 B2 8/2008 Workman et al.
 D576,870 S 9/2008 Eason et al.
 D578,103 S 10/2008 Matsuoka
 D578,940 S * 10/2008 Tsay et al. D12/175
 D579,926 S 11/2008 Whitworth
 D579,927 S 11/2008 Whitworth
 D580,262 S 11/2008 Eason et al.
 D581,697 S 12/2008 Fix
 D581,698 S 12/2008 Fix
 D582,697 S 12/2008 Goodman et al.
 7,468,480 B1 12/2008 Sikra
 D585,432 S 1/2009 Baker
 D589,151 S 3/2009 Sabio
 7,534,965 B1 5/2009 Thompson
 7,560,633 B1 7/2009 Wang
 D601,817 S 10/2009 Barbieri
 7,628,360 B2 12/2009 Anthes et al.
 7,632,999 B2 12/2009 Wilkerson
 7,637,686 B2 12/2009 Wood et al.
 7,681,768 B2 * 3/2010 Gates et al. 224/440
 D613,092 S 4/2010 Eason et al.
 D623,331 S 9/2010 Rotwitt
 D624,865 S * 10/2010 Figueiredo D12/345
 7,805,881 B2 10/2010 Kavanaugh
 D626,494 S * 11/2010 Gates et al. D12/412
 7,928,304 B2 4/2011 Eason et al.
 D639,088 S 6/2011 Rodgers et al.
 D643,230 S 8/2011 Hepeng
 D646,501 S 10/2011 Hepeng
 D646,505 S * 10/2011 Eason D6/682.3
 8,075,217 B2 12/2011 Eason
 D652,190 S 1/2012 Slaton et al.
 8,106,278 B2 1/2012 Eason et al.
 D667,819 S 9/2012 Slaton
 D694,466 S * 11/2013 Kjaergaard D26/142
 D707,475 S * 6/2014 Triato D6/682.3
 D711,307 S * 8/2014 Fair D12/412
 D713,302 S * 9/2014 Williams D12/160
 D716,592 S * 11/2014 Belitz D6/682.3
 D718,963 S * 12/2014 Hazlett D6/682.3
 D725,793 S * 3/2015 Nosworthy D25/68
 2001/0020668 A1 9/2001 Thomas et al.
 2002/0030146 A1 3/2002 Akaike
 2002/0100852 A1 8/2002 Eason et al.
 2002/0109051 A1 8/2002 Kitagawa et al.
 2002/0169460 A1 11/2002 Foster
 2002/0194979 A1 12/2002 Hsieh
 2003/0042283 A1 * 3/2003 Carnevali 224/560
 2003/0052237 A1 3/2003 Yu
 2003/0140766 A1 7/2003 Izen et al.
 2003/0168484 A1 * 9/2003 Gates et al. 224/401
 2003/0178544 A1 9/2003 Anderson
 2004/0113041 A1 * 6/2004 Hancock et al. 248/688
 2004/0144233 A1 7/2004 Hsieh
 2004/0175013 A1 9/2004 Gleissner
 2004/0245416 A1 12/2004 Atlee
 2005/0035247 A1 2/2005 Roberts et al.
 2006/0060113 A1 3/2006 Chang
 2006/0175523 A1 8/2006 Tai
 2006/0177260 A1 8/2006 Liao
 2006/0185495 A1 8/2006 Hsieh
 2006/0198628 A1 9/2006 Knightlinger
 2006/0201309 A1 * 9/2006 Hsieh 84/329
 2007/0001413 A1 1/2007 Rossini
 2007/0200036 A1 * 8/2007 Hsieh 248/122.1
 2007/0262567 A1 11/2007 Benson et al.
 2008/0078914 A1 4/2008 Liao

2008/0135697 A1 6/2008 Workman et al.
 2008/0229901 A1 9/2008 Eason et al.
 2008/0247810 A1 10/2008 Eason
 2008/0253601 A1 10/2008 Hilderman
 2009/0215545 A1 8/2009 King et al.
 2010/0042111 A1 2/2010 Qureshi
 2010/0116121 A1 5/2010 Eason
 2010/0163693 A1 * 7/2010 Wang 248/121
 2010/0181441 A1 * 7/2010 Yu 248/121
 2010/0243828 A1 9/2010 Lippert et al.
 2010/0301188 A1 12/2010 Schimelfenyg
 2010/0313735 A1 12/2010 Steinhause et al.
 2011/0154975 A1 6/2011 Belitz et al.
 2011/0239844 A1 10/2011 Eason et al.
 2011/0271516 A1 11/2011 Slaton

FOREIGN PATENT DOCUMENTS

WO 2004066667 8/2004
 WO 20050070132 A2 4/2005
 WO 20050067541 A2 7/2005
 WO 2005070123 A2 8/2005
 WO 2005070184 8/2005
 WO 2006073383 A2 7/2006
 WO 2008134653 11/2008
 WO 2009091929 7/2009
 WO 2010083333 A1 7/2010
 WO 2011088238 A1 7/2011

OTHER PUBLICATIONS

“1994 Product Catalog (Music Stand Edition),” Ultimate Support Systems, Inc., 1994, 28 pages.
 “1996 Product Catalog (Music Stand Edition),” Ultimate Support Systems, Inc., 1996, 28 pages.
 “1998 Product Catalog (Music Stand Edition),” Ultimate Support Systems, Inc., 1998, 32 pages.
 “1999 Product Catalog (Music Stand Edition),” Ultimate Support Systems, Inc., 1999, 28 pages.
 “2000 Product Catalog (Music Stand Edition),” Ultimate Support Systems, Inc., 2000, 40 pages.
 “2001 Product Catalog (Music Stand Edition),” Ultimate Support Systems, Inc., 2001, 28 pages.
 “2002 Product Catalog (Music Stand Edition),” Ultimate Support Systems, Inc., 2002, 29 pages.
 “2003 Product Catalog (Music Stand Edition),” Ultimate Support Systems, Inc., 2003, 48 pages.
 “2004 Product Catalog (Music Stand Edition),” Ultimate Support Systems, Inc., 2004, 48 pages.
 “2005 Product Catalog (Music Stand Edition),” Ultimate Support Systems, Inc., 2005, 32 pages.
 “2008 Product Catalog (Music Stand Edition),” Ultimate Support Systems, Inc., 2008, 36 pages.
 “2010 Product Catalog (Music Stand Edition),” Ultimate Support Systems, Inc., 2010, 9 pages.
 “Konig & Meyer Spider Keyboard Stand,” audioMIDI.com, © 2004, 1 page [retrieved from: http://208.39.189.27/common/cfm/product.cfm?Product_ID=5204].
 Gibraltar Hardware, “Rack Factory #GRS400c, Ride/Crash Overhead Station and Xhat to boom and Rack Options” Kaman Music Corp. © 2001, 2 pages [retrieved from <http://www.gibraltarhardware.com/?fa=rf11>].
 Gibraltar Hardware, “Rack Factory GRS400C, MiniSnare on Curved Support Tube Option” Kaman Music Corp., © 2001, 2 pages [retrieved from: <http://gibraltarhardware.com/?rf10>].
 Gibraltar Hardware, “Rack Factory GRS400C and GRS150C, Boom Arm to Rack and Multi-Cymbal Overhead Station Options” Kaman Music Corp. © 2001, 2 pages [retrieved from <http://www.gibraltarhardware.com/?fa=rf9>].
 Gibraltar Hardware, “Rack Factory GRS250C, MultiCymbal Setup to rack. Mini Timbale to Rack, Tambourine to Open Tube, and Percussion Table to Open Tube Options” Kaman Music Corp. © 2001, 2 pages [retrieved from: <http://www.gibraltarhardware.com/?fa=rf3>].

(56)

References Cited

OTHER PUBLICATIONS

Gibraltar Hardware, "Rack Factory, GRS350C. Triple Cymbal Station to Rack and Large Tom to Rack Options" Kaman Music Corp. © 2001, 2 pages [retrieved from: <http://www.gibraltarhardware.com/?fa=rf2>].

"Control the Sound with America's E Drum Brochure," Pintech USA, Inc., 2004, 5 pages.

"Roland MDS-10RD/10PL Drum Stand: Overview," Roland Corporation, © 2004, 1 page [retrieved from http://www.roland.com/products/en/MDS-10RD_10PL/index.html].

"Roland MDS-8C Drum Stand: Overview," Roland Corporation, © 2004, 1 page [retrieved from: <http://www.roland.com/products/en/MDS-8C/index.html>].

"Roland MDS-6 Drum Stand: Overview," Roland Corporation, © 2004, 1 page [retrieved from: <http://www.roland.com/products/en/MDS-6/index.html>].

"Tama Hardware : PMD300FC Power Tower System," Hoshino Gakki Group, © 2004, 1 page [retrieved from: <http://www.tama.com/hardware/product.asp?ID=46>].

Tama Hardware: PMD800SS Rack, Power Tower System, Hoshino Gakki Group, © 2004, 2 pages [retrieved from: <http://www.tama.com/hardware/product.asp?ID=44>].

"Yamaha Percussion System Drum Rack," Yamaha Music Corporation, not later than Jan. 18, 2012, 2 pages.

* cited by examiner

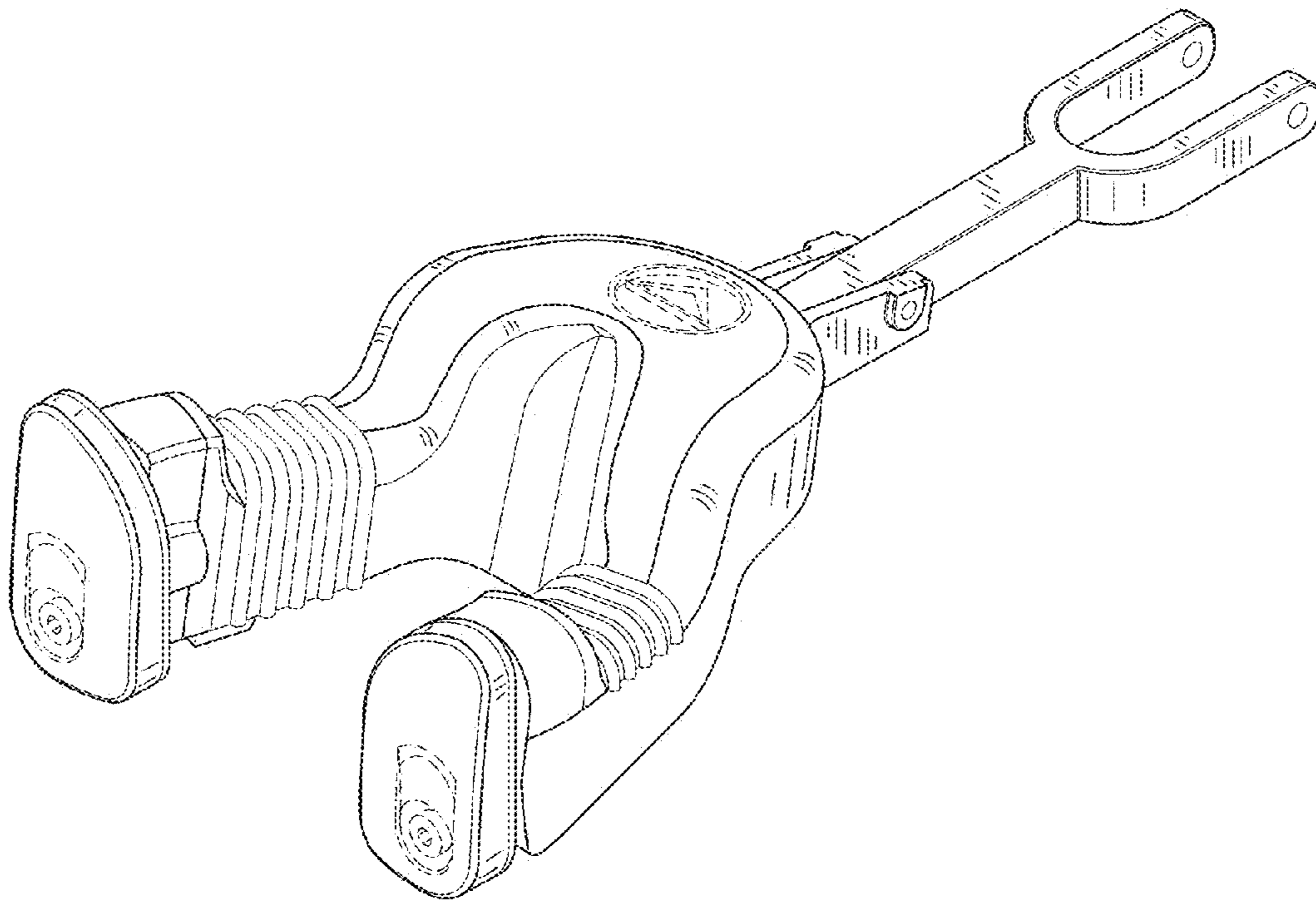


FIG.1

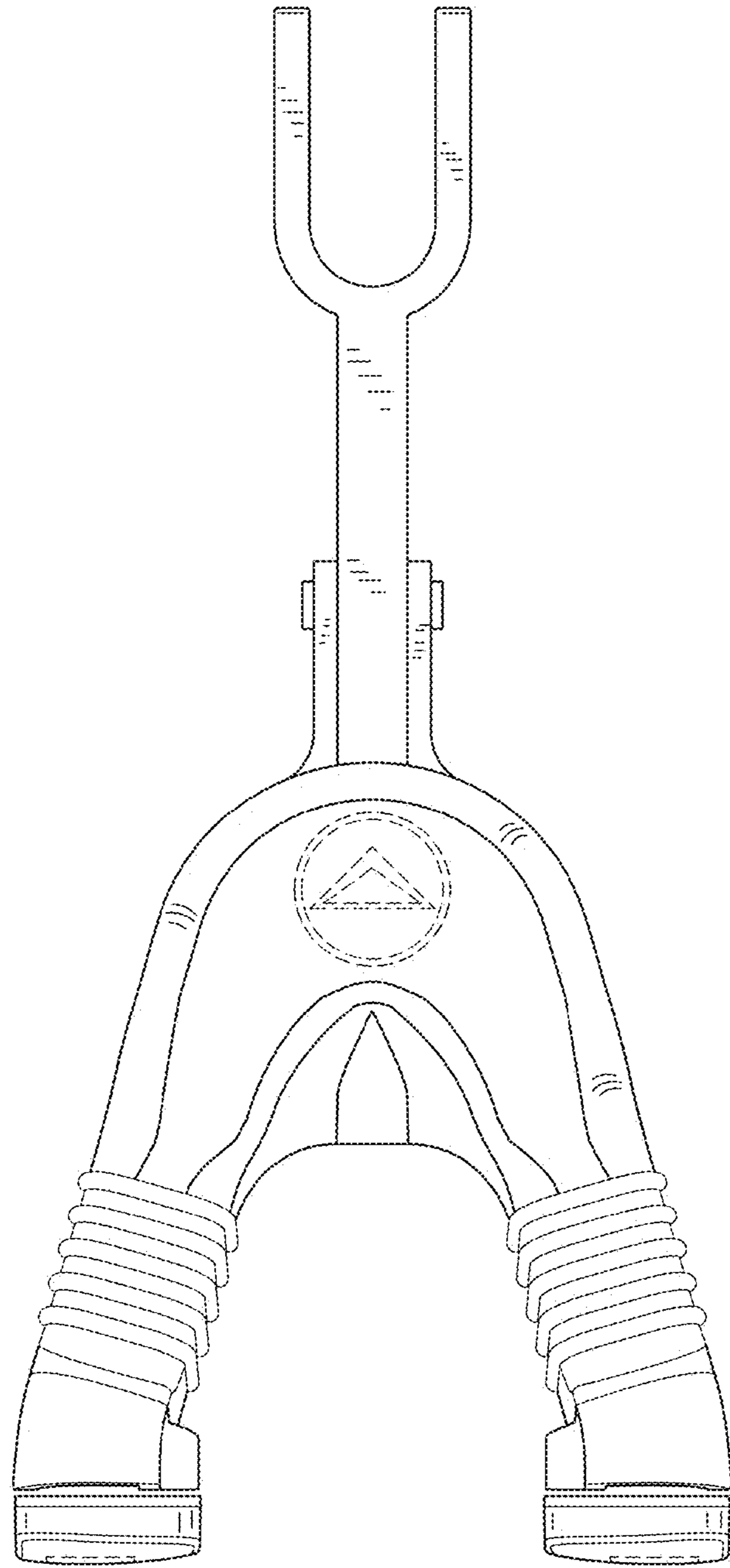


FIG.2

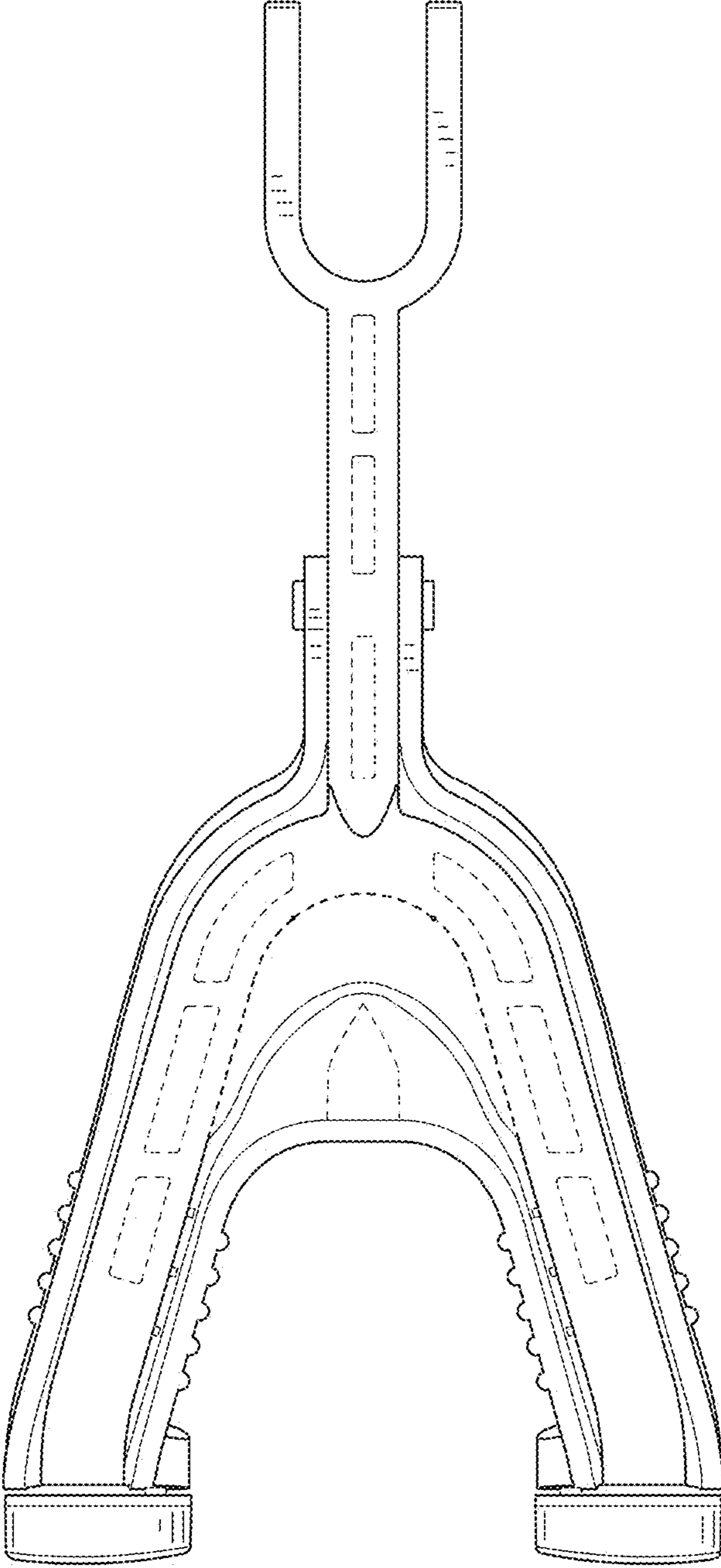


FIG.3

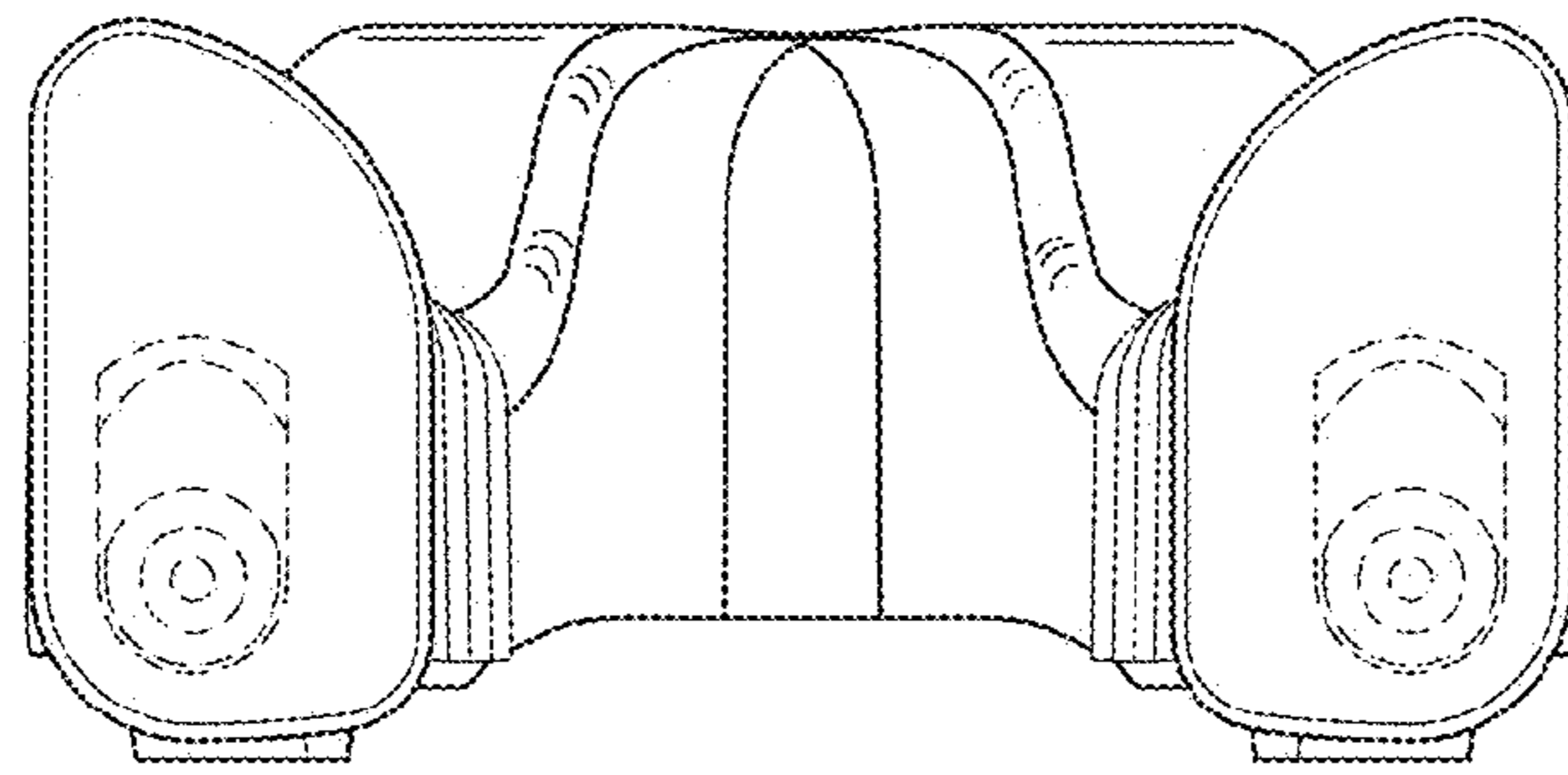


FIG.4

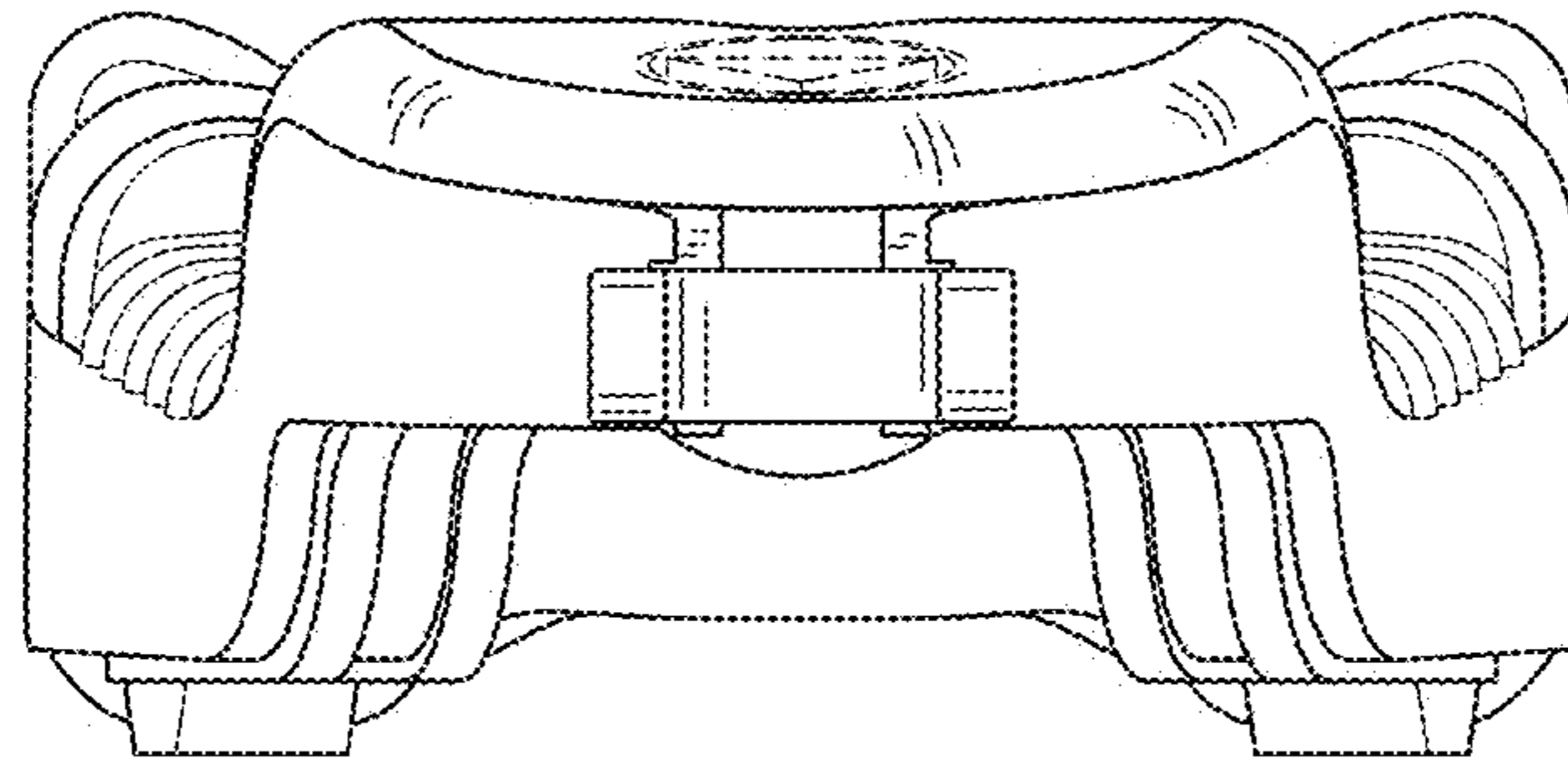


FIG.5

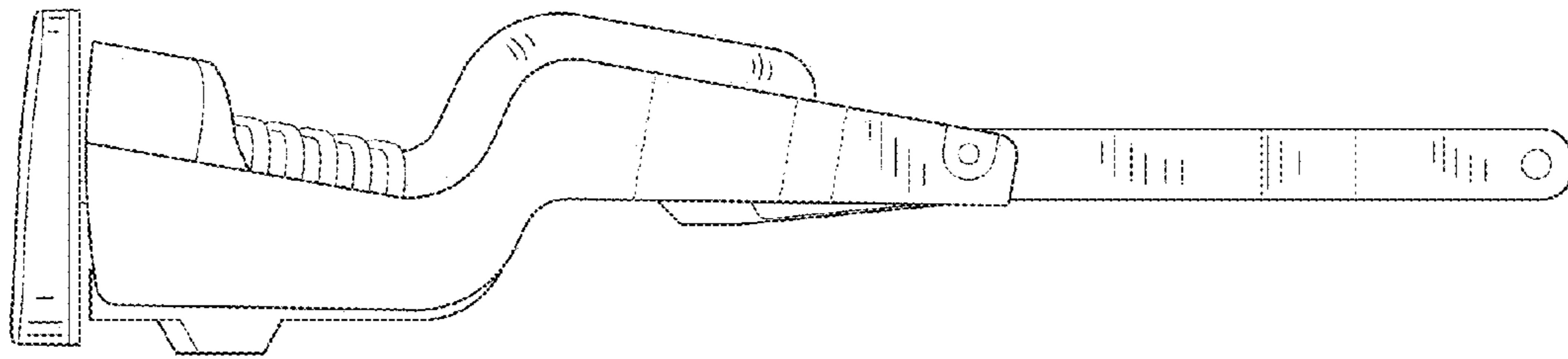


FIG.6

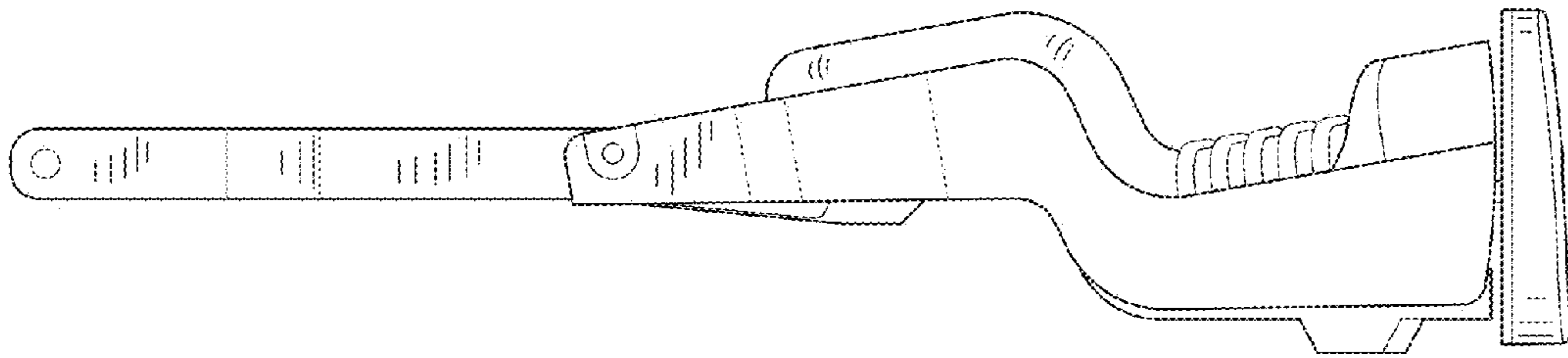


FIG.7