



US00D749343S

(12) **United States Design Patent**
Bergsten

(10) **Patent No.:** **US D749,343 S**
(45) **Date of Patent:** **** Feb. 16, 2016**

(54) **KEYBOARD STAND**

(71) Applicant: **Industrial Ergonomics**, Lakeville, MN
(US)
(72) Inventor: **Jeffrey Don Bergsten**, Lakeville, MN
(US)

(73) Assignee: **INDUSTRIAL ERGONOMICS**,
Lakeville, MN (US)

(**) Term: **14 Years**

(21) Appl. No.: **29/513,802**

(22) Filed: **Jan. 6, 2015**

(51) **LOC (10) Cl.** **06-06**

(52) **U.S. Cl.**
USPC **D6/682**

(58) **Field of Classification Search**
USPC D6/641, 656, 656.16, 656.17, 682;
D18/59, 34.9
CPC A47F 7/0021; A47F 7/00
See application file for complete search history.

(56) **References Cited**

U.S. PATENT DOCUMENTS

3,185,423	A *	5/1965	Jones, III	A47B 91/16	108/150
D237,660	S *	11/1975	Bertleson	D6/681.1	
D277,717	S *	2/1985	Petrick	D18/59	
D288,509	S *	3/1987	van de Oudeweetering	..	D6/682	
D293,397	S *	12/1987	Hunt	D6/656.11	
4,763,865	A *	8/1988	Danner	F16M 11/38	

						108/118
D304,270	S *	10/1989	Goldman	D17/9	
D409,020	S *	5/1999	Hardin	D6/654.21	
D409,861	S *	5/1999	Newhouse	D6/708.23	
D475,555	S *	6/2003	Lauts	D6/682	
D557,522	S *	12/2007	Stapleton	D6/656.17	
D647,725	S *	11/2011	Seidel	D6/681	

* cited by examiner

Primary Examiner — Kelley Donnelly

(74) *Attorney, Agent, or Firm* — Vidas, Arrett & Steinkraus,
P.A.

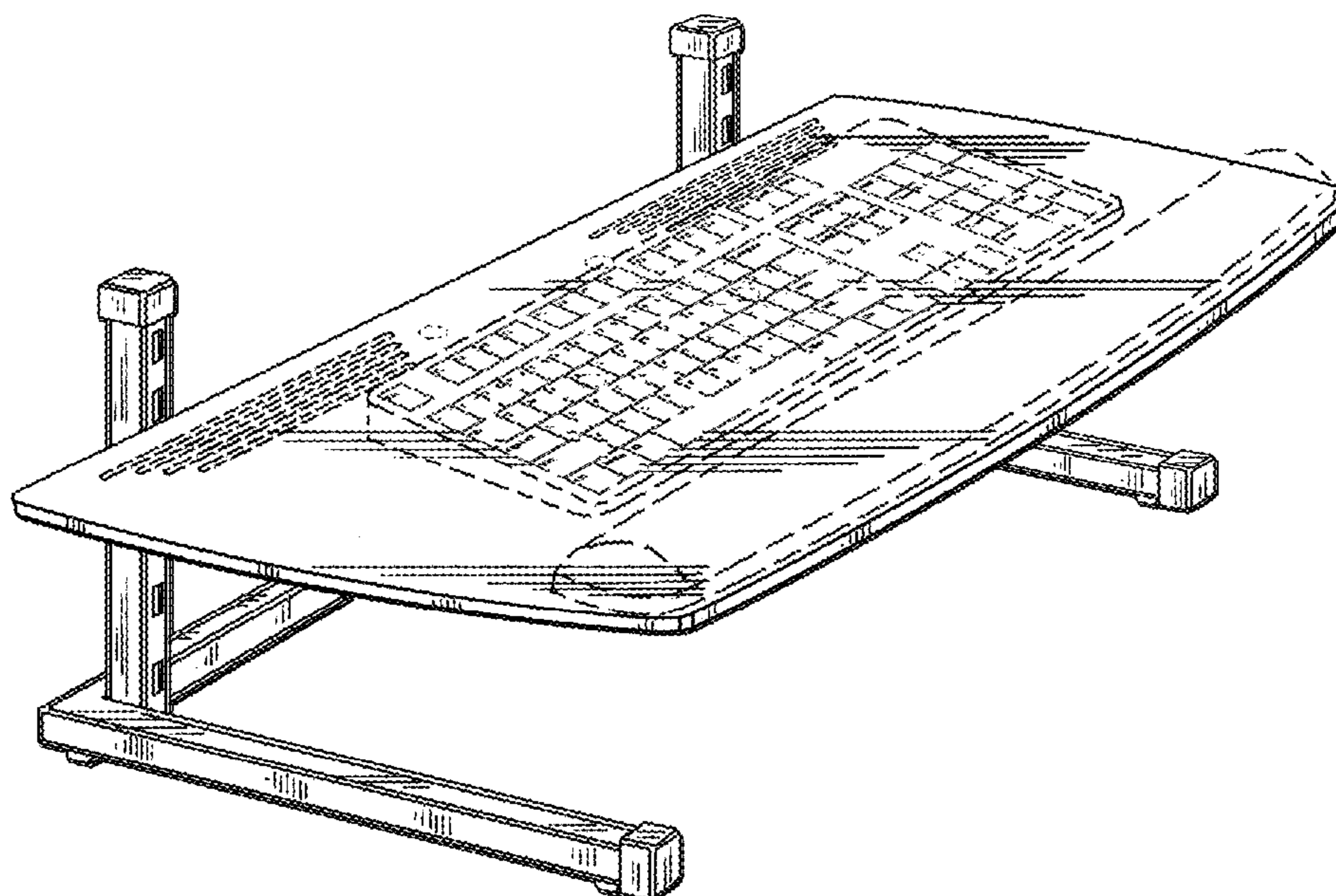
(57) **CLAIM**

The ornamental design for a keyboard stand, as shown and described.

DESCRIPTION

FIG. 1 is a perspective view of a keyboard stand showing the new design;
FIG. 2 is a perspective view thereof;
FIG. 3 is a bottom view of the keyboard stand of FIG. 1.
FIG. 4 is a top view of the keyboard stand of FIG. 1.
FIG. 5 is a front elevation view of the keyboard stand of FIG. 1.
FIG. 6 is a rear elevation view of the keyboard stand of FIG. 1; and,
FIG. 7 is a side elevation view thereof.
The broken lines showing a keyboard and wrist support in FIGS. 1, 2, and 7 are for the purposes of illustrating the environment of the article only and form no part of the claimed design.

1 Claim, 3 Drawing Sheets



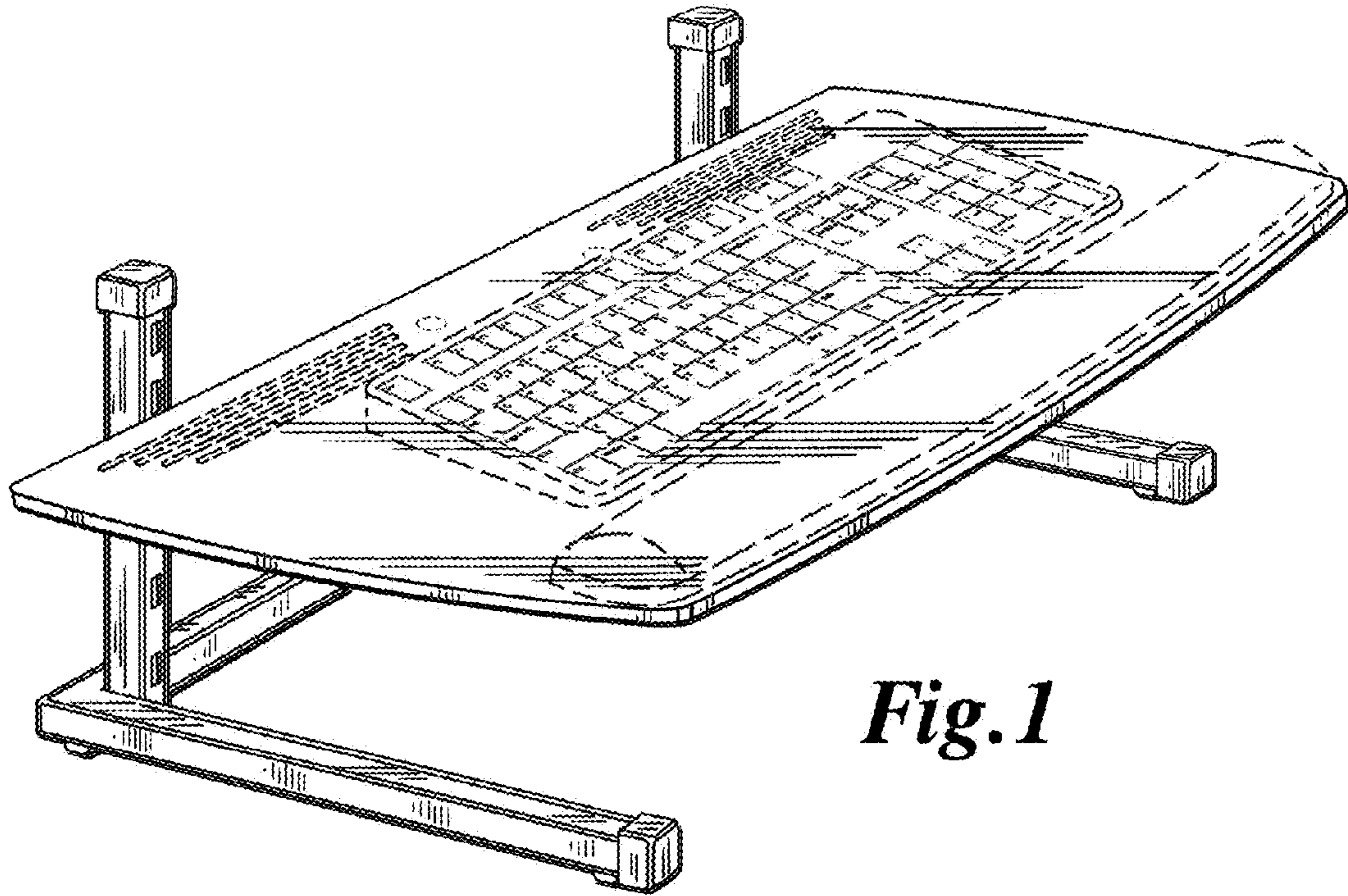


Fig. 1

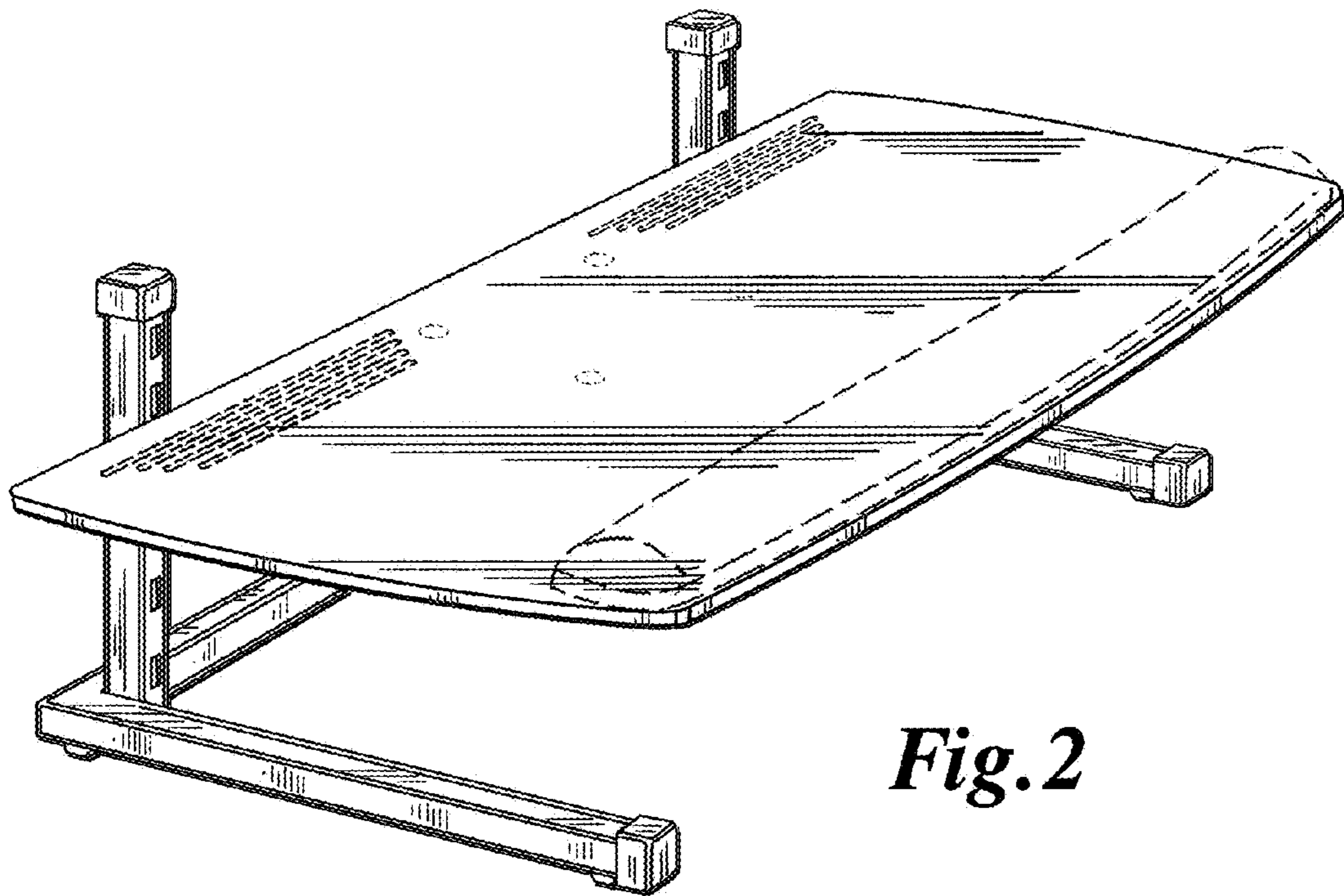


Fig. 2

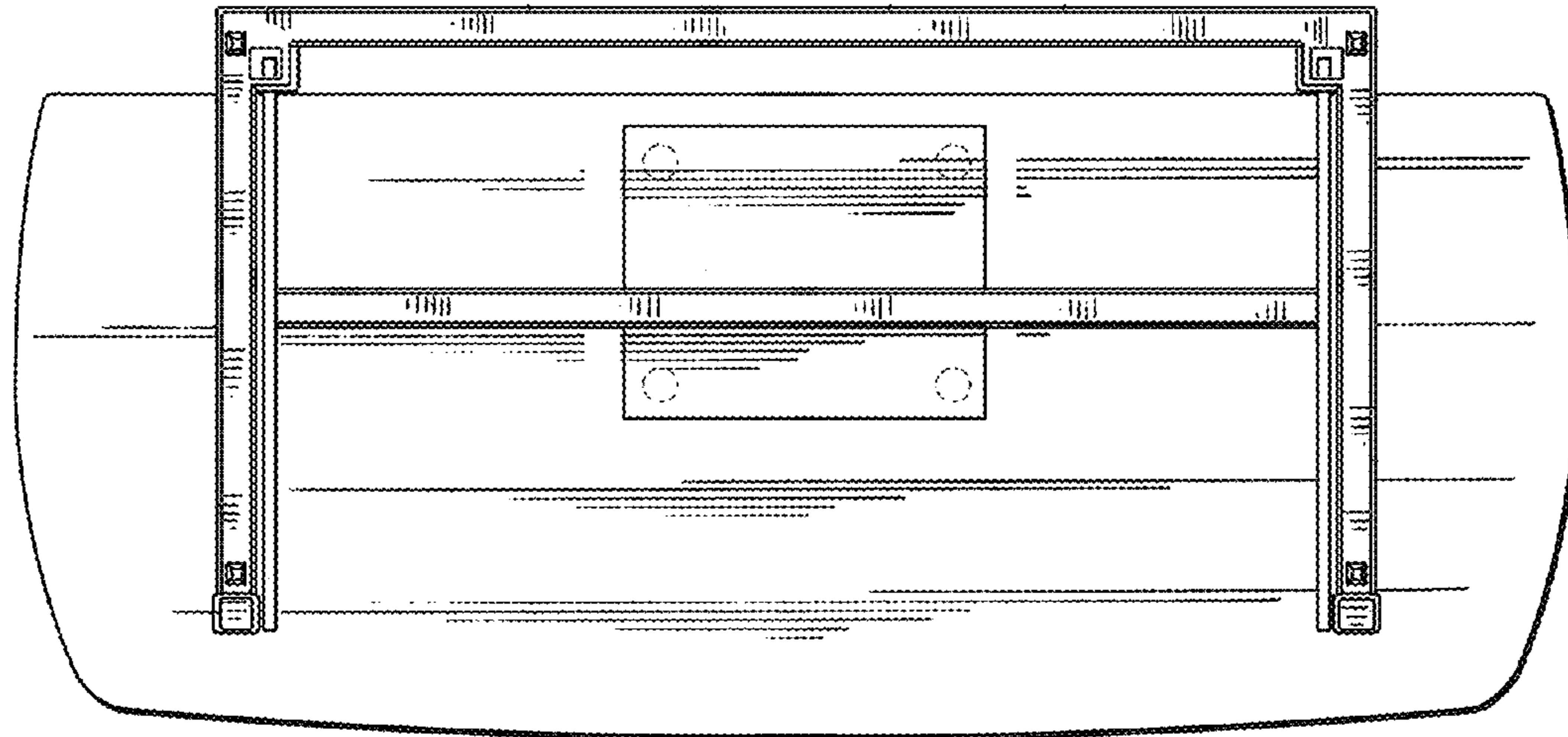


Fig. 3

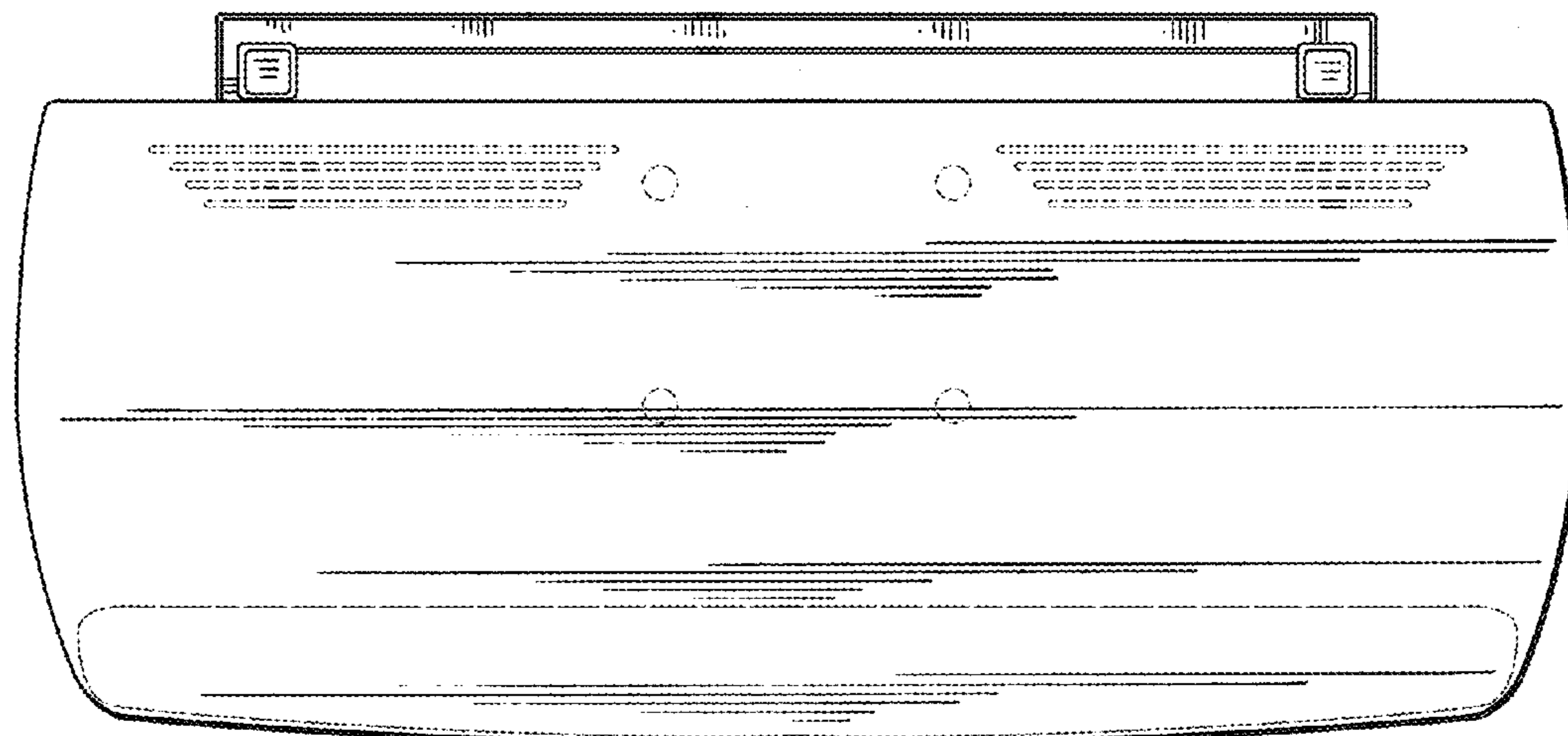


Fig. 4

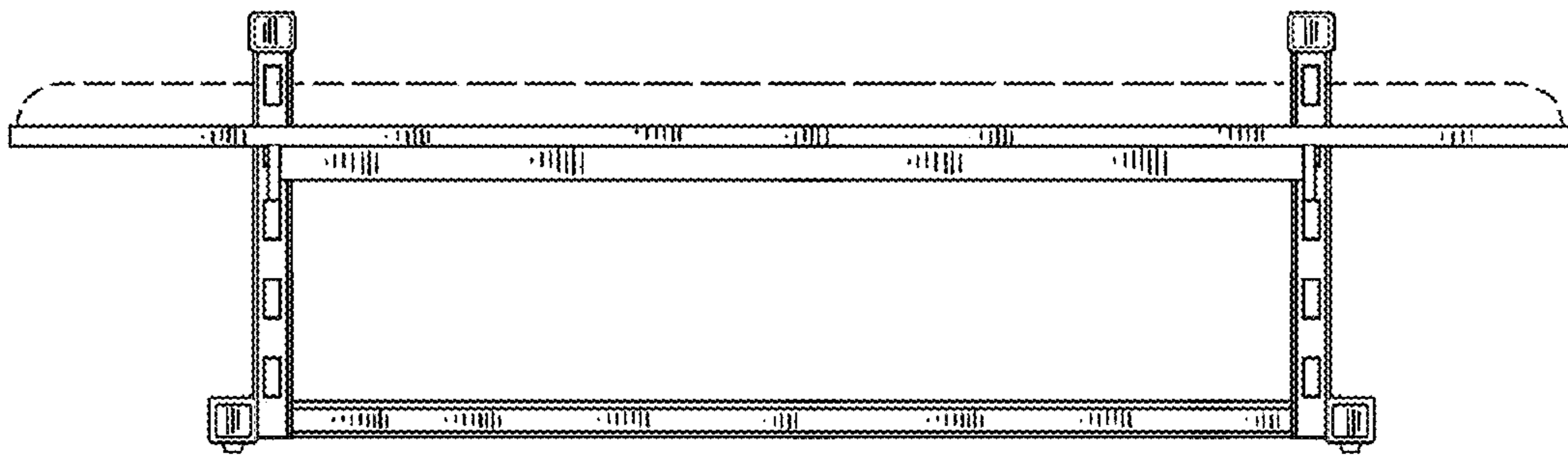


Fig. 5

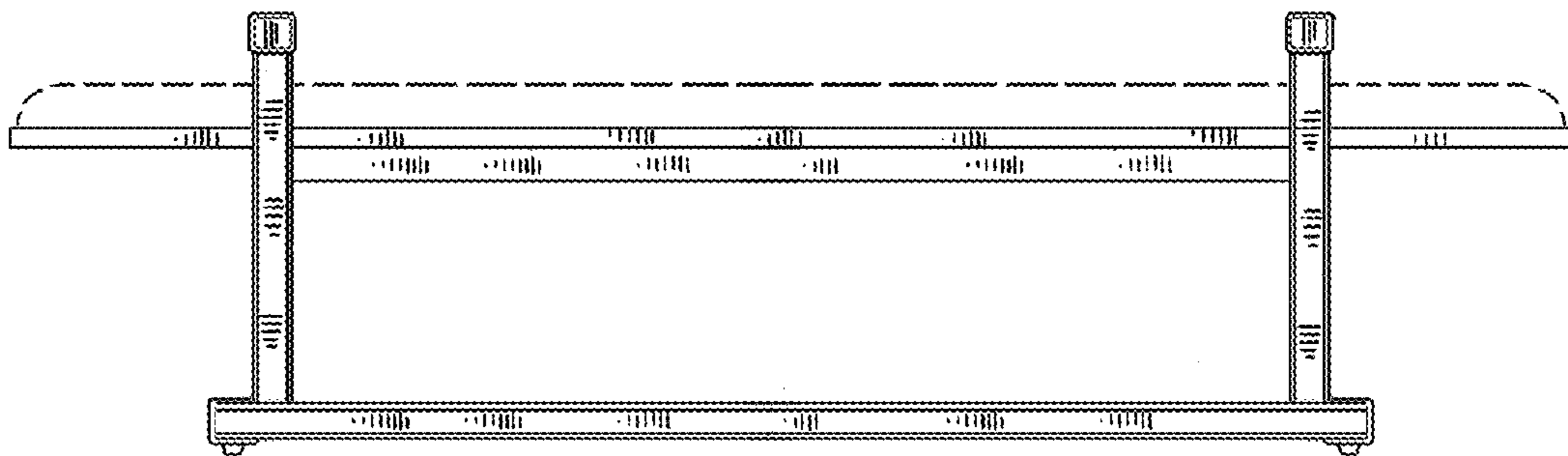


Fig. 6

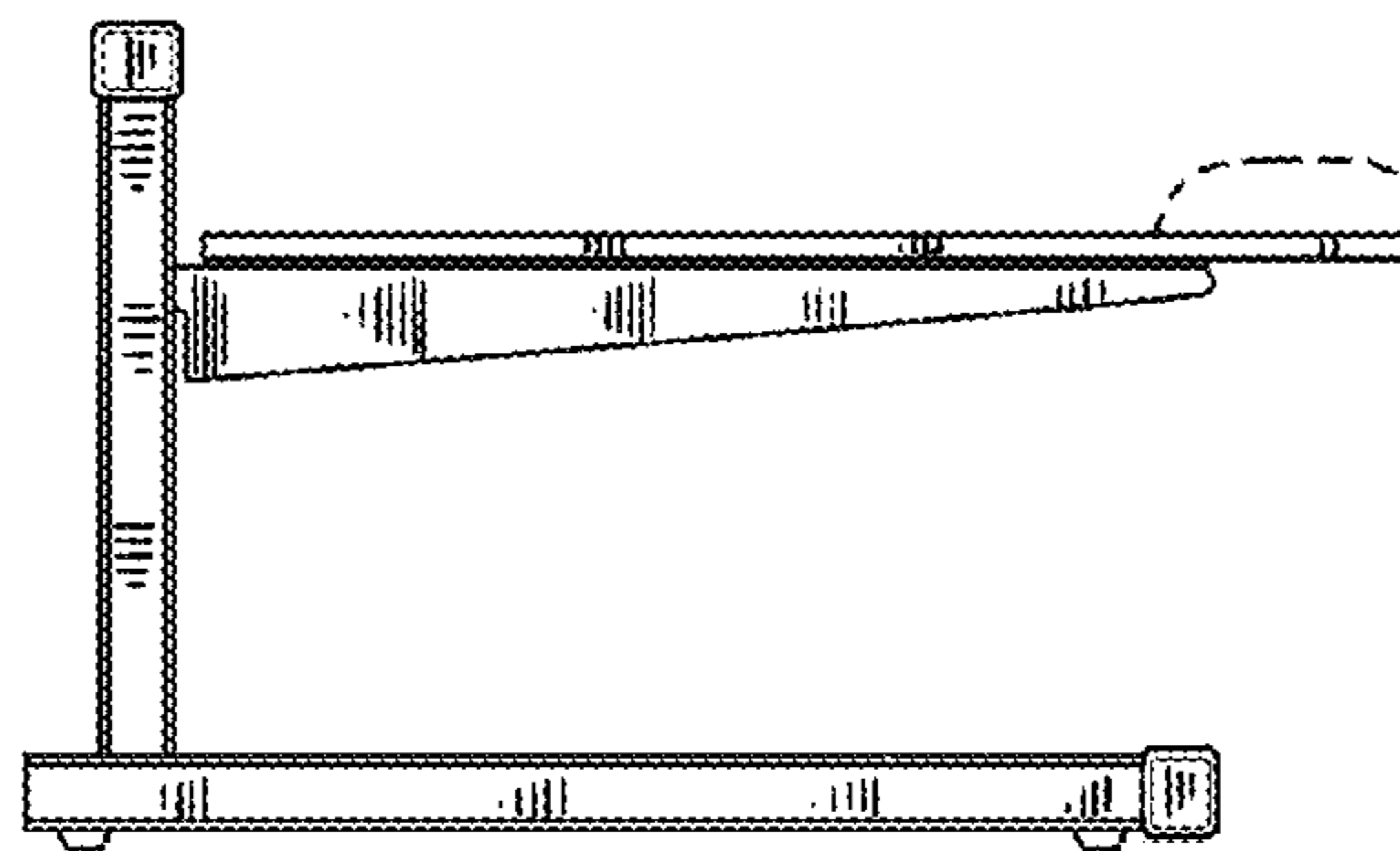


Fig. 7