

US00D749335S

(12) **United States Design Patent**  
**Vanderminden**

(10) **Patent No.:** **US D749,335 S**

(45) **Date of Patent:** **\*\* Feb. 16, 2016**

- (54) **CHAISE LOUNGE**
- (71) Applicant: **Telescope Casual Furniture, Inc.**,  
Granville, NY (US)
- (72) Inventor: **William M. Vanderminden**,  
Queensbury, NY (US)
- (73) Assignee: **Telescope Casual Furniture, Inc.**,  
Granville, NY (US)
- (\*\*) Term: **14 Years**
- (21) Appl. No.: **29/490,588**
- (22) Filed: **May 12, 2014**
- (51) **LOC (10) Cl.** ..... **06-01**
- (52) **U.S. Cl.**  
USPC ..... **D6/361**
- (58) **Field of Classification Search**  
USPC ..... D6/334-336, 361, 367, 369, 370, 374,  
D6/716, 716.1, 716.2, 716.3, 716.4  
CPC ..... A47C 4/28; A47C 4/30; A47C 4/32;  
A47C 4/36; A47C 7/50; A47C 1/14; A47C  
1/143  
See application file for complete search history.

- 5,927,812 A 7/1999 Vanderminden, Sr.
- D439,757 S 4/2001 Saad Rionda
- D446,660 S 8/2001 Pluer
- D473,388 S 4/2003 Hutton
- D479,052 S \* 9/2003 Goodman ..... D6/361
- D486,969 S 2/2004 Weaver
- D490,618 S 6/2004 Green et al.

(Continued)

**OTHER PUBLICATIONS**

Vanderminden, Design U.S. Appl. No. 29/456,722, entitled Seat, filed Jun. 3, 2013, 7-pages.

(Continued)

*Primary Examiner* — Mimoso De

(74) *Attorney, Agent, or Firm* — Heslin Rothenberg Farley & Mesiti P.C.

(57) **CLAIM**

The ornamental design for a chaise lounge, as shown and described.

**DESCRIPTION**

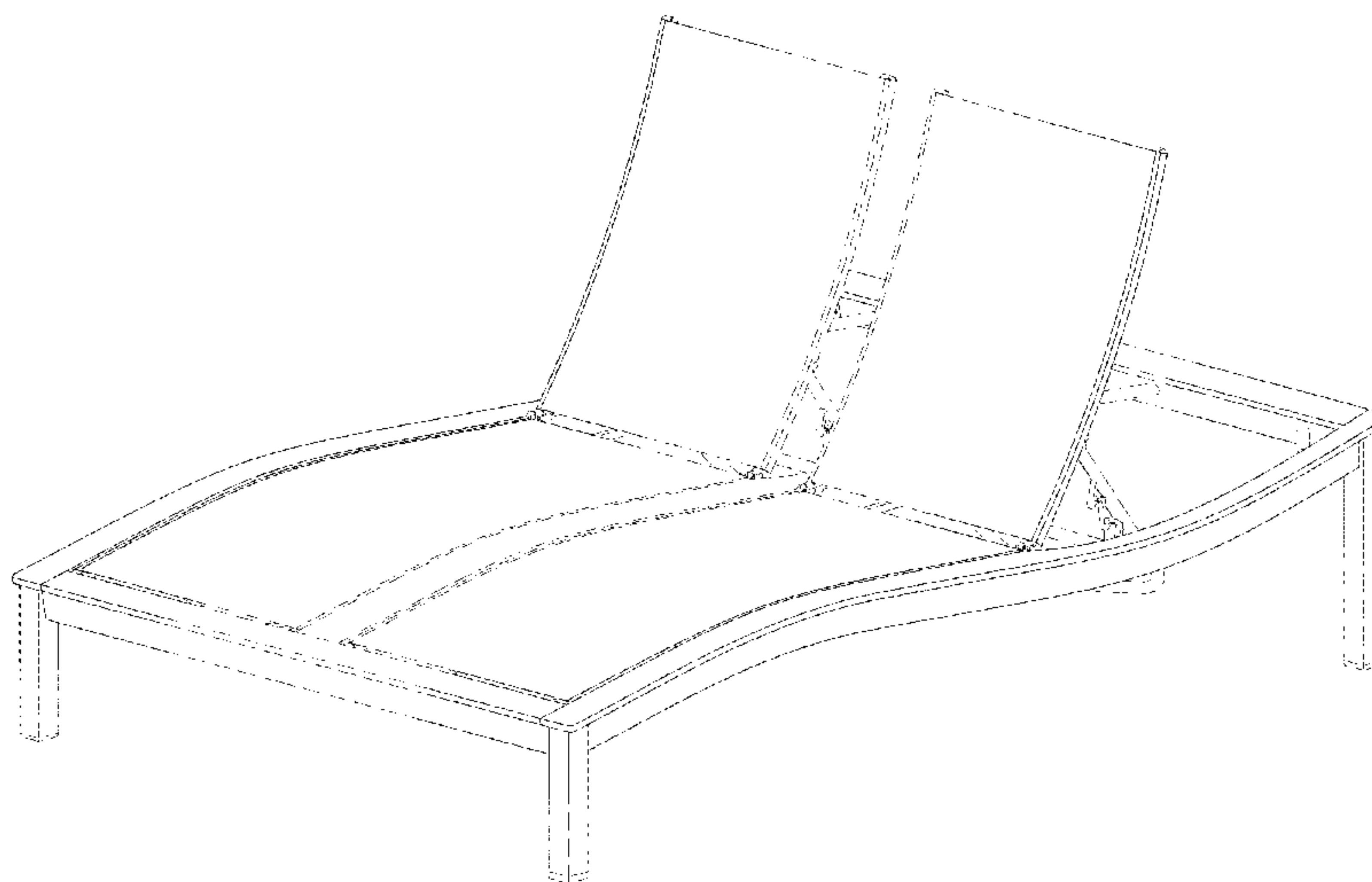
FIG. 1 is a perspective view of a chaise lounge in accordance with the new design;  
 FIG. 2 is a front elevational view thereof;  
 FIG. 3 is a left side elevational view thereof;  
 FIG. 4 is a right side elevational view thereof;  
 FIG. 5 is a rear elevational view thereof;  
 FIG. 6 is a top view thereof;  
 FIG. 7 is another perspective view of the chaise lounge with the back lowered; and,  
 FIG. 8 is a perspective view of an alternative embodiment of the chaise lounge design, portions of which are broken away to illustrate indeterminate width, which is the sole difference between it and FIGS. 1-7. Any portion of the article between the broken break lines forms no part of the claimed design. The broken lines in the figures are for illustration purposes only and form no part of the claimed invention.

**1 Claim, 8 Drawing Sheets**

(56) **References Cited**

**U.S. PATENT DOCUMENTS**

- D211,338 S 6/1968 Schultz
- 3,737,926 A 6/1973 Hermanson
- 4,201,416 A 5/1980 Vanderminden
- D278,392 S 4/1985 Bayly
- 4,514,009 A 4/1985 Vanderminden et al.
- D279,053 S 6/1985 Vanderminden
- D284,143 S 6/1986 Vanderminden
- D287,316 S 12/1986 Vanderminden
- D287,552 S 1/1987 Vanderminden
- D301,412 S \* 6/1989 Duvivier ..... D6/361
- 4,867,505 A 9/1989 Parker
- D343,069 S \* 1/1994 Trudo ..... D6/336
- D344,415 S \* 2/1994 Gibbs ..... D6/361
- D406,701 S 3/1999 Slear



(56)

**References Cited**

U.S. PATENT DOCUMENTS

D496,801 S	10/2004	Vanderminden, Sr.	
D512,230 S	12/2005	Krake	
D514,336 S *	2/2006	Spector .....	D6/361
D515,324 S	2/2006	Grosfillex	
D517,333 S	3/2006	Grosfillex	
D545,581 S	7/2007	Gower	
D646,067 S	10/2011	Frinier	
D657,150 S *	4/2012	Hughes .....	D6/361
D657,969 S	4/2012	Nguyen	
D704,463 S	5/2014	Vanderminden	
D707,049 S *	6/2014	Asner .....	D6/361
D734,047 S *	7/2015	Vanderminden .....	D6/361
2005/0017550 A1	1/2005	Vanderminden, Sr.	

OTHER PUBLICATIONS

Vanderminden, Design U.S. Appl. No. 29/456,723, entitled Seat, filed Jun. 3, 2013, 7-pages.

Balencia Chaise Lounge, designed by Claude Robin, available from Frontgate, West Chester, Ohio, four images, 4-pages, at least as early as May 2011.

Windward Sling Chaise, available from Telescope Casual Furniture, Granville, Inc., New York, 4-pages, 2009.

Chaise with Thatched Roof, two photographs taken at Beaches Resort in Turks & Caicos, 1-page, Nov. 2009.

Telescope Casual 2010 Catalog, Telescope Casual Furniture, Inc., Granville, New York, 99 pages, Jul. 1, 2009.

Telescope Casual 2012 Catalog, Telescope Casual Furniture, Inc., Granville, New York, 104 pages, Jul. 1, 2011.

Telescope Casual 2013 Catalog, Telescope Casual Furniture, Inc., Granville, New York, 92 pages, Jul. 1, 2012.

Vanderminden, Sr., Design U.S. Appl. No. 29/464,029, entitled "Seat Frame", filed Aug. 12, 2013, 10-pages.

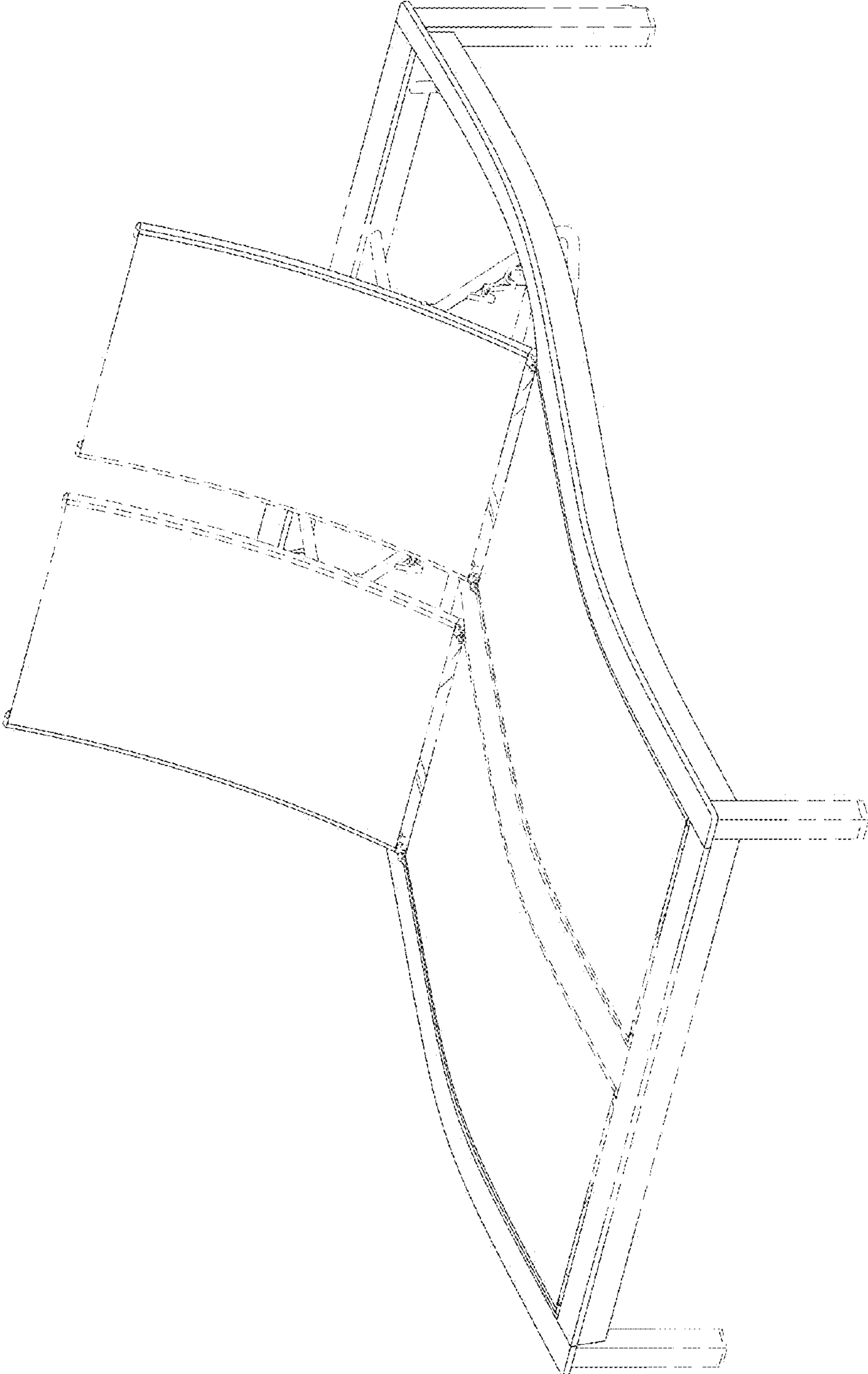
Hampton Marine Grade Polymer Outdoor Furniture, available from Windward Design Group, Sarasota, Florida, 6-pages, Sep. 28, 2012.

Telescope Casual 2014 Catalog, Telescope Casual Furniture, Inc., Granville, New York, 100 pages, Jul. 1, 2013.

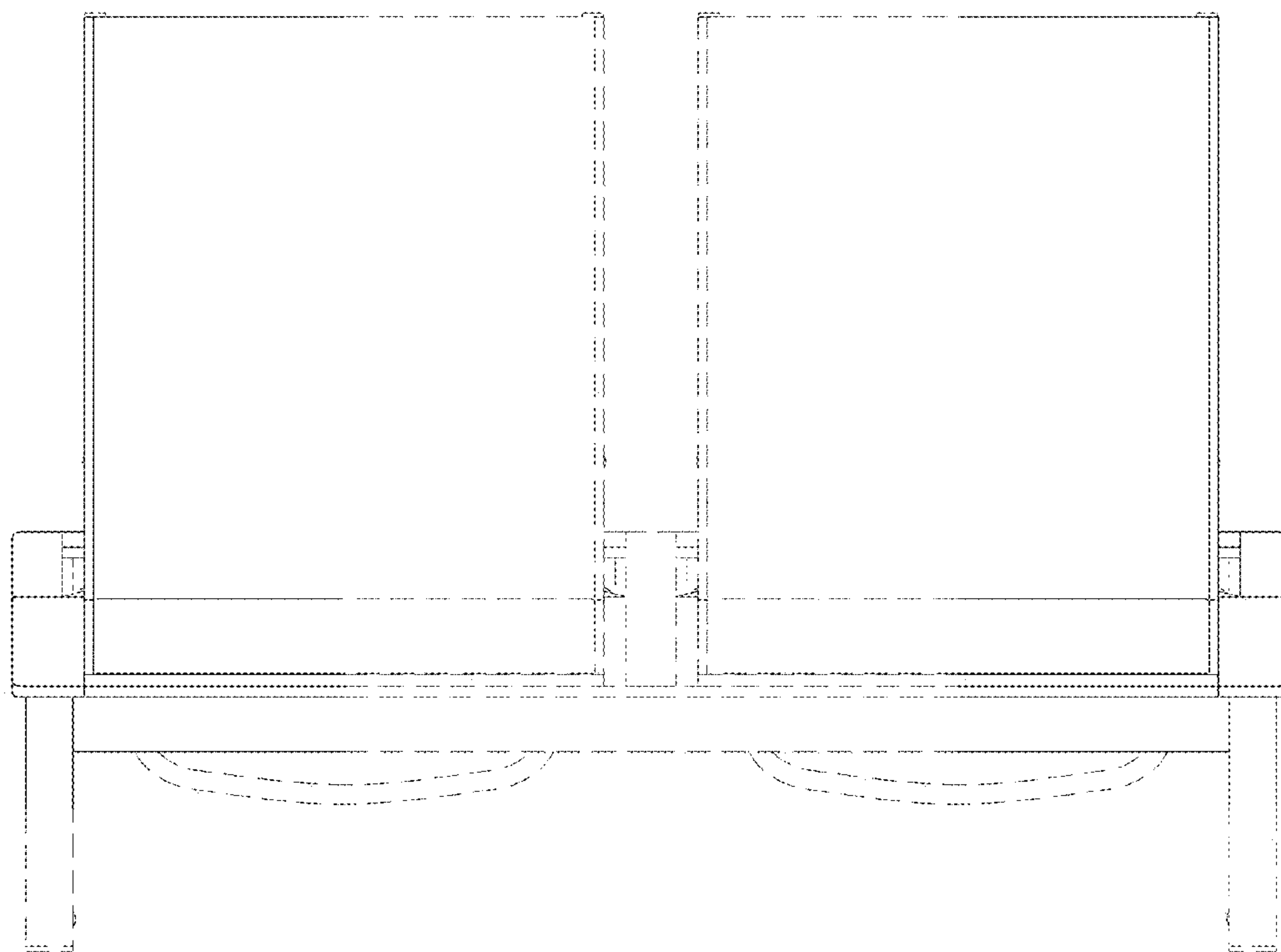
Bazza Chaise and Chair, available from Telescope Casual Furniture, Granville, Inc., New York, 4-pages, Jul. 1, 2013.

Vanderminden, Design U.S. Appl. No. 29/490,583, entitled "Portion of a Chaise Lounge", filed May 12, 2014, 9-pages.

\* cited by examiner



**FIG. 1**



**FIG. 2**

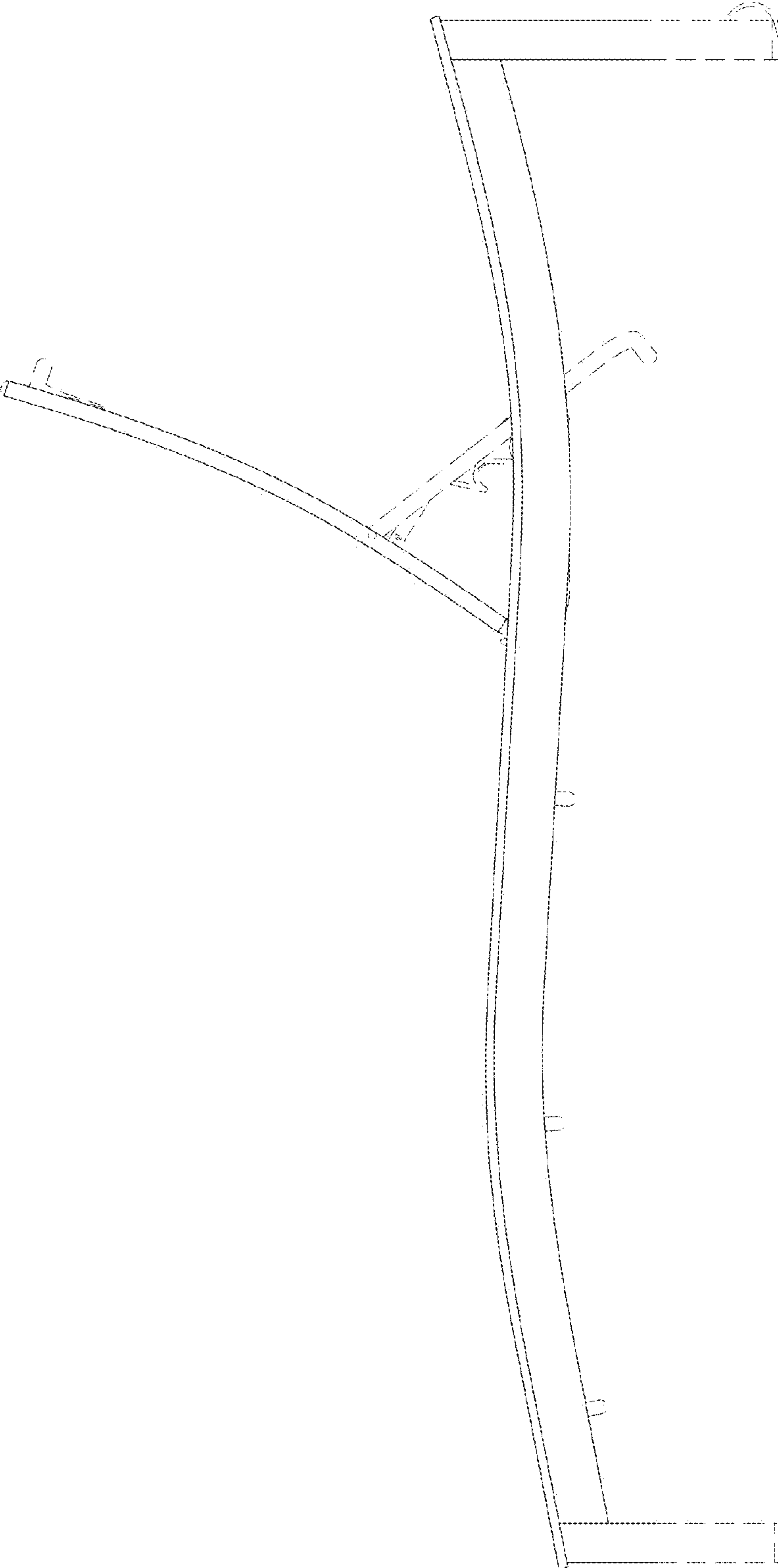
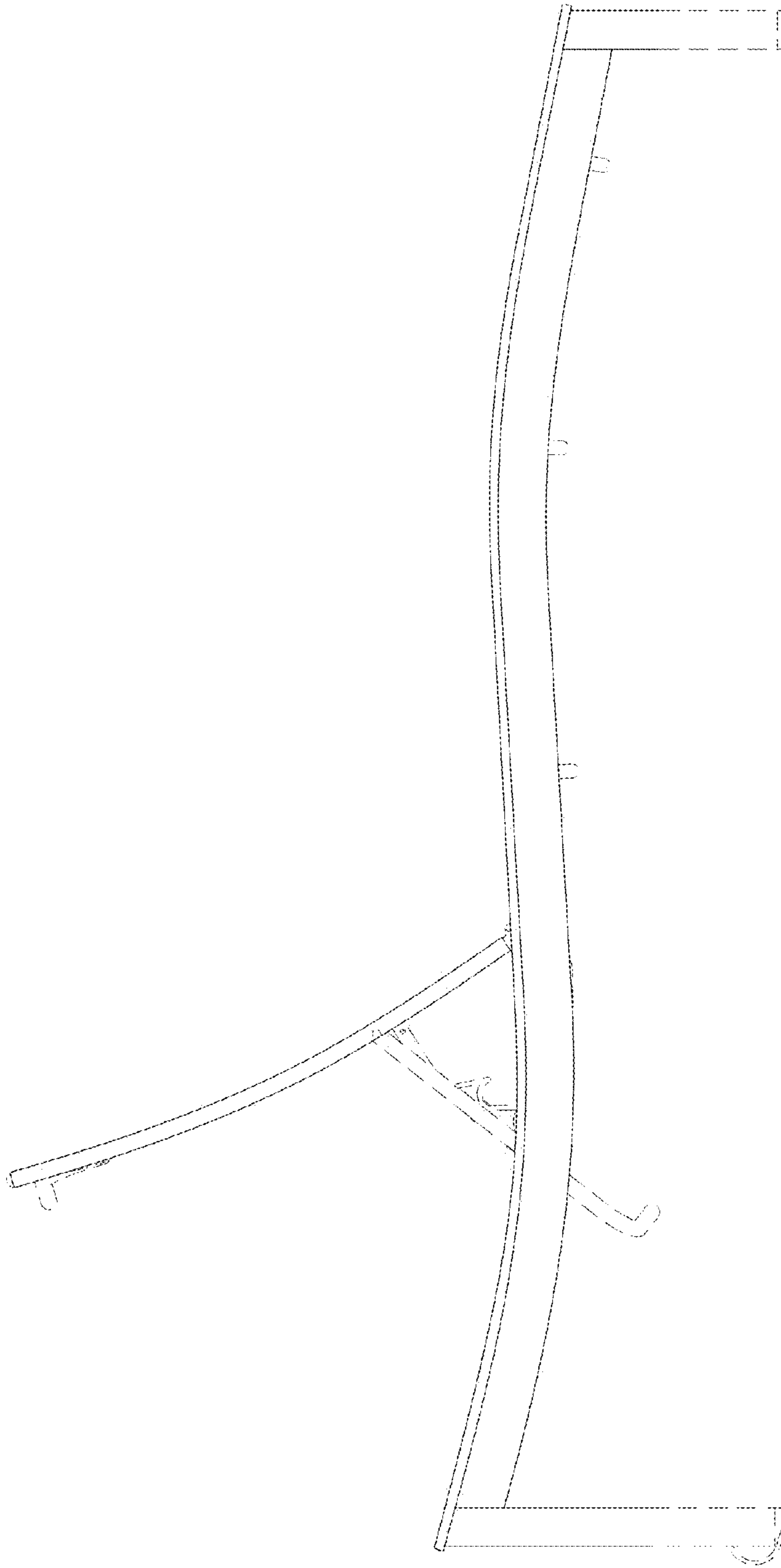
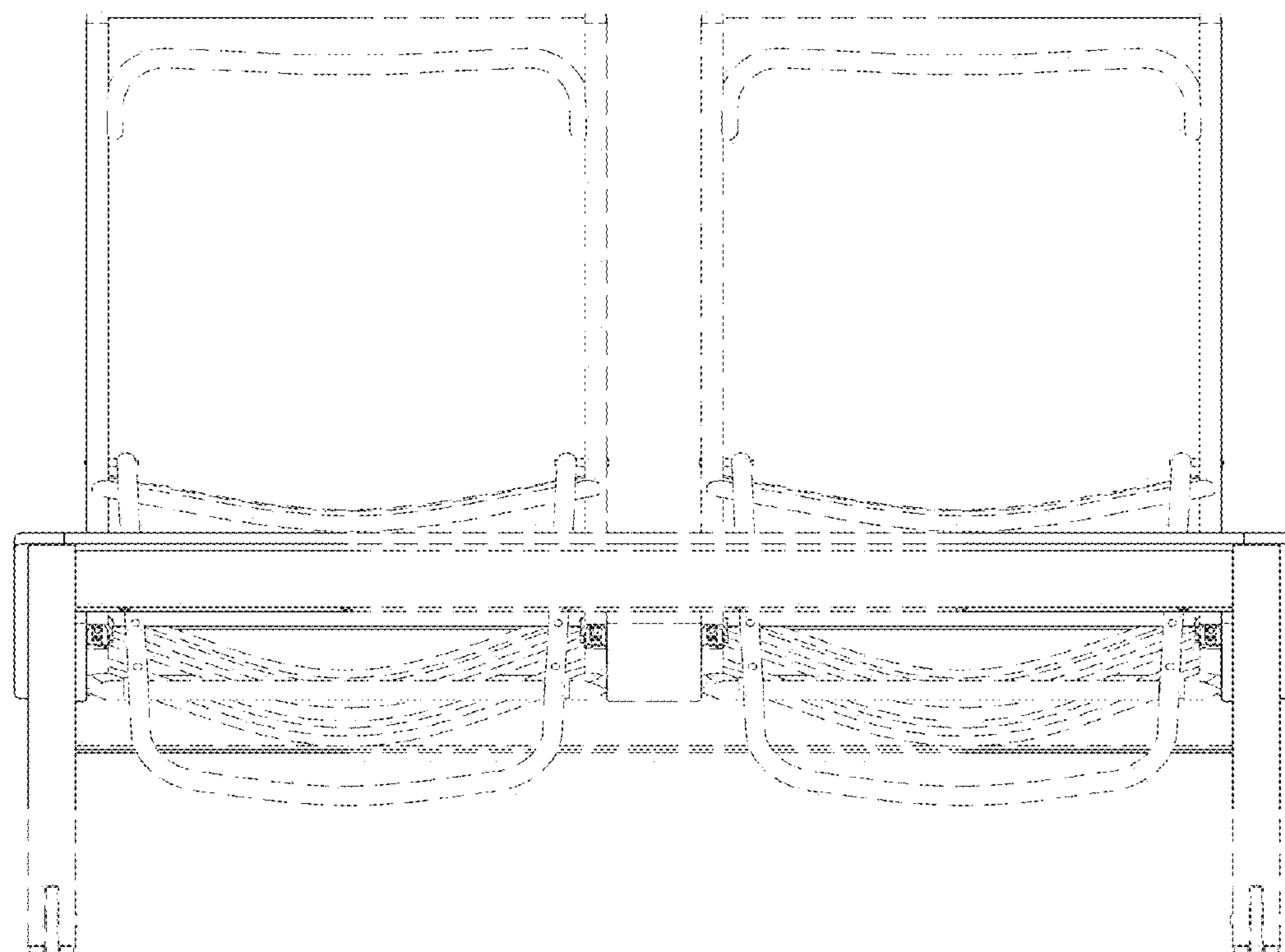


FIG. 3

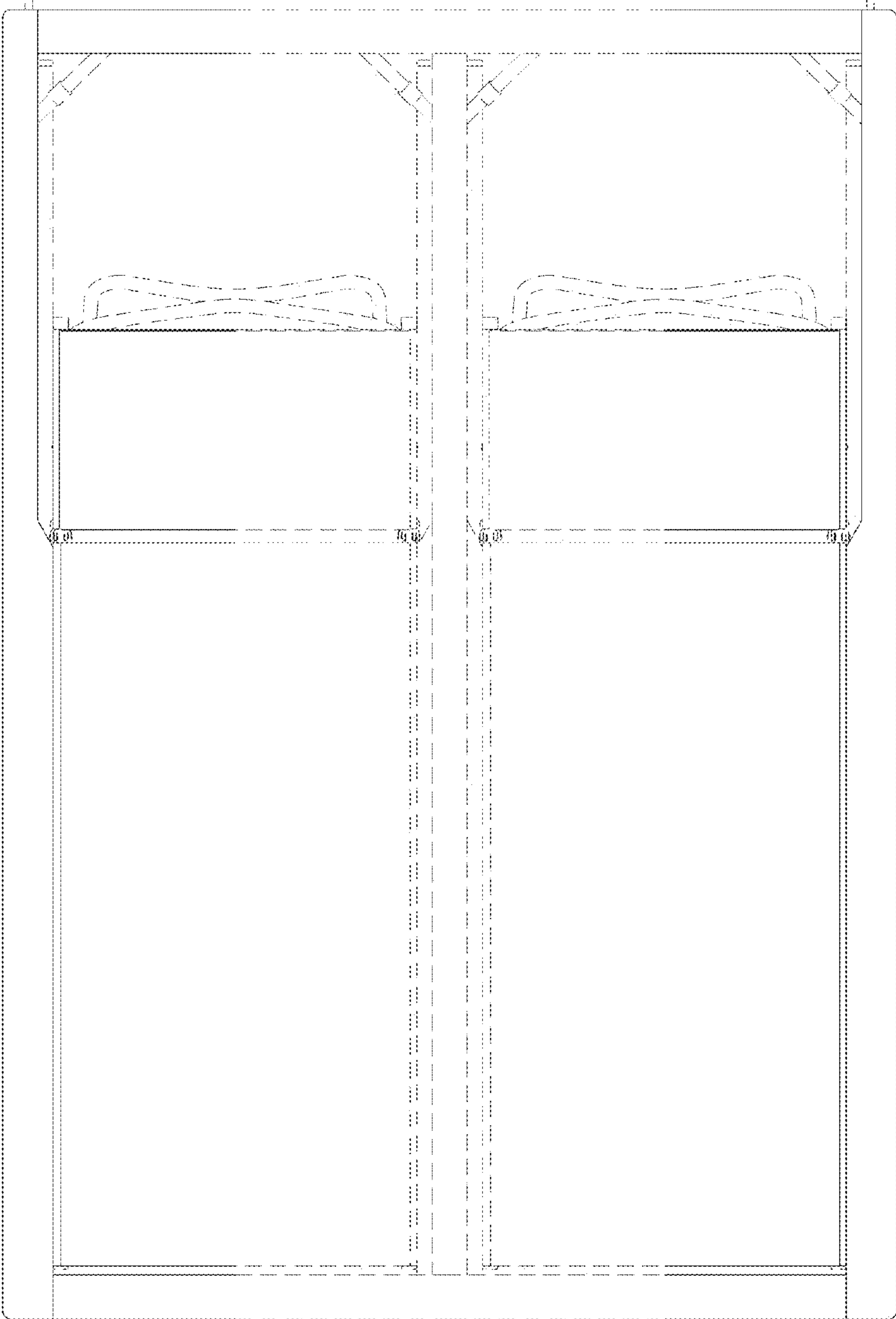


**FIG. 4**



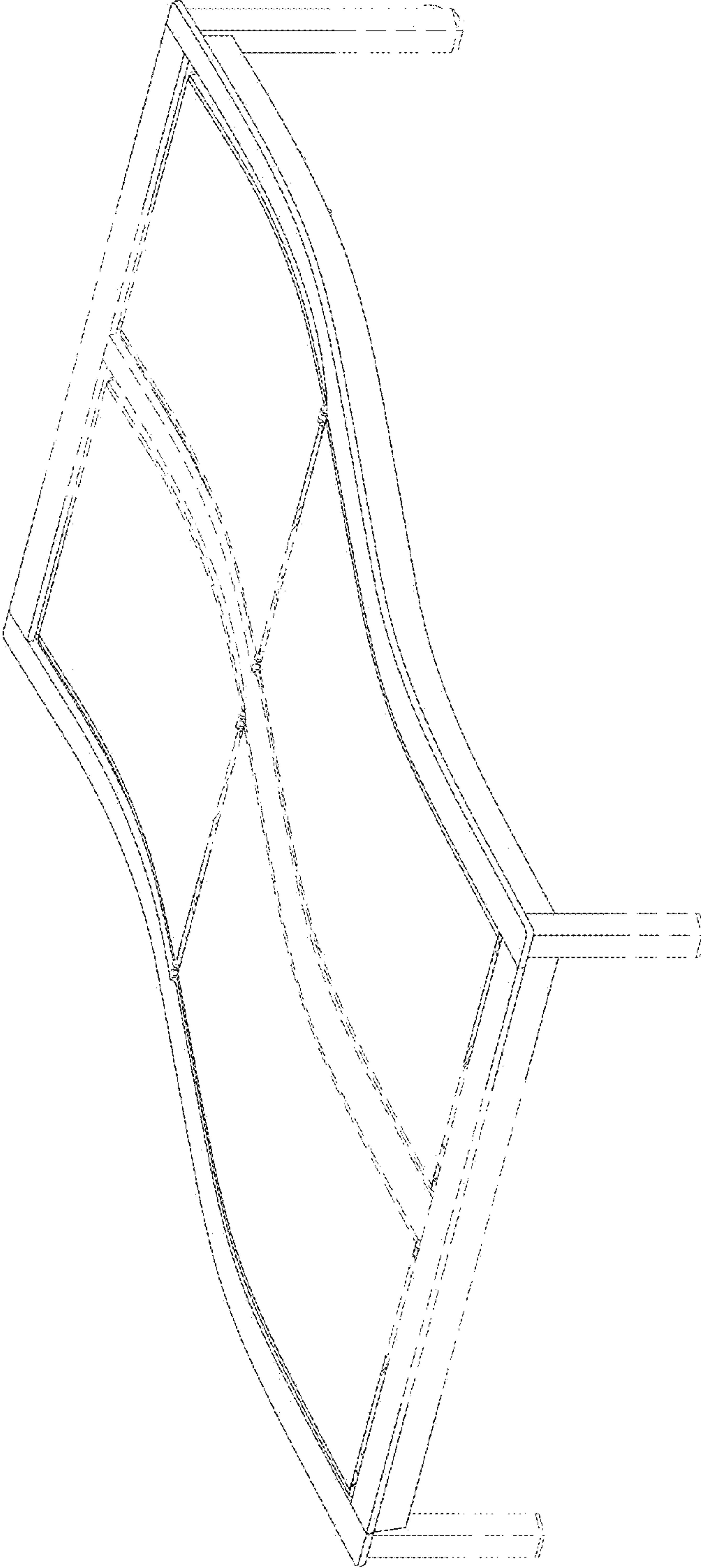


**FIG. 5**

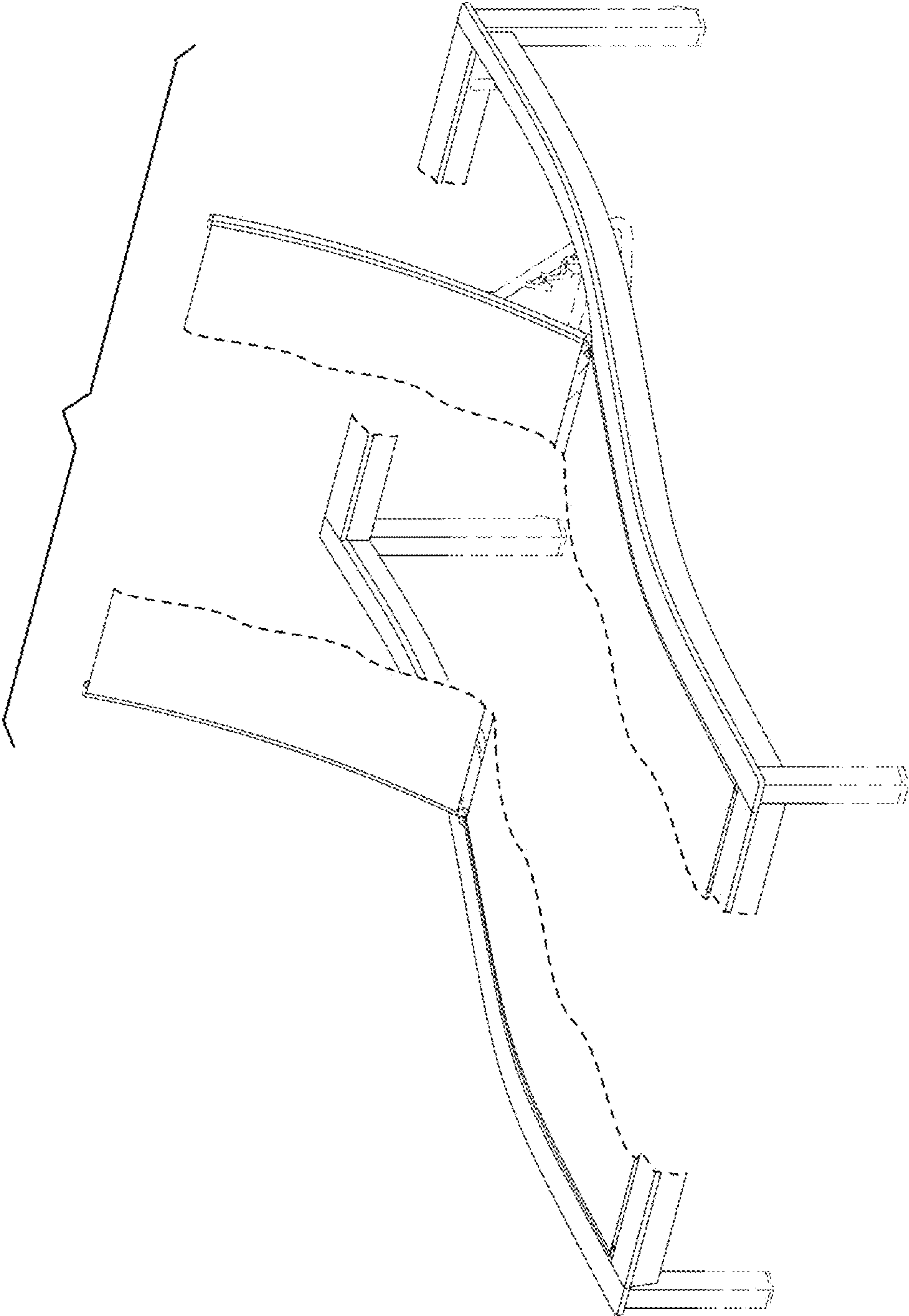


**FIG. 6**





**FIG. 7**



**FIG. 8**