



US00D749334S

(12) **United States Design Patent**
Henstridge

(10) **Patent No.:** **US D749,334 S**

(45) **Date of Patent:** **** Feb. 16, 2016**

(54) **VEHICLE COMPONENT**

(71) Applicant: **Jaguar Land Rover Limited**, Coventry (GB)

(72) Inventor: **Sean Henstridge**, Whitley (GB)

(73) Assignee: **Jaguar Land Rover Limited** (GB)

(**) Term: **14 Years**

(21) Appl. No.: **29/512,729**

(22) Filed: **Dec. 22, 2014**

(30) **Foreign Application Priority Data**

Jun. 24, 2014 (EM) 002489708

(51) **LOC (10) Cl.** **06-01**

(52) **U.S. Cl.**
USPC **D6/356**

(58) **Field of Classification Search**

USPC D6/334-336, 356, 367, 368, 374, 375,
D6/381, 716, 716.1, 716.2, 716.3, 716.4
CPC B60N 2/48; B60N 2/22; B60N 2/449;
B60N 2/4882; A47C 7/40; A47C 7/022;
A47C 7/18

See application file for complete search history.

(56) **References Cited**

U.S. PATENT DOCUMENTS

D536,185 S * 2/2007 Ritzel D6/356

D542,041 S * 5/2007 Moburg D6/356
D574,619 S * 8/2008 Maezono D6/356
D578,315 S * 10/2008 Wyszogrod D6/356
D590,612 S * 4/2009 Zhang D6/356
D591,964 S * 5/2009 Pohanka D6/356
D591,965 S * 5/2009 Pohanka D6/356
D650,188 S * 12/2011 Nakaminami D6/356
D650,189 S * 12/2011 Nakaminami D6/356
D723,825 S * 3/2015 Persson D6/356

* cited by examiner

Primary Examiner — Mimoso De

(74) *Attorney, Agent, or Firm* — Fishman Stewart PLLC

(57) **CLAIM**

The ornamental design for a vehicle component, as shown and described.

DESCRIPTION

FIG. 1 is a front perspective view of a vehicle component; FIG. 2 is a rear perspective view of a vehicle component; FIG. 3 is a front view of a vehicle component; FIG. 4 is a rear view of a vehicle component; FIG. 5 is a left side view of a vehicle component; FIG. 6 is a right side view of a vehicle component; and, FIG. 7 is a top view of a vehicle component.

1 Claim, 6 Drawing Sheets

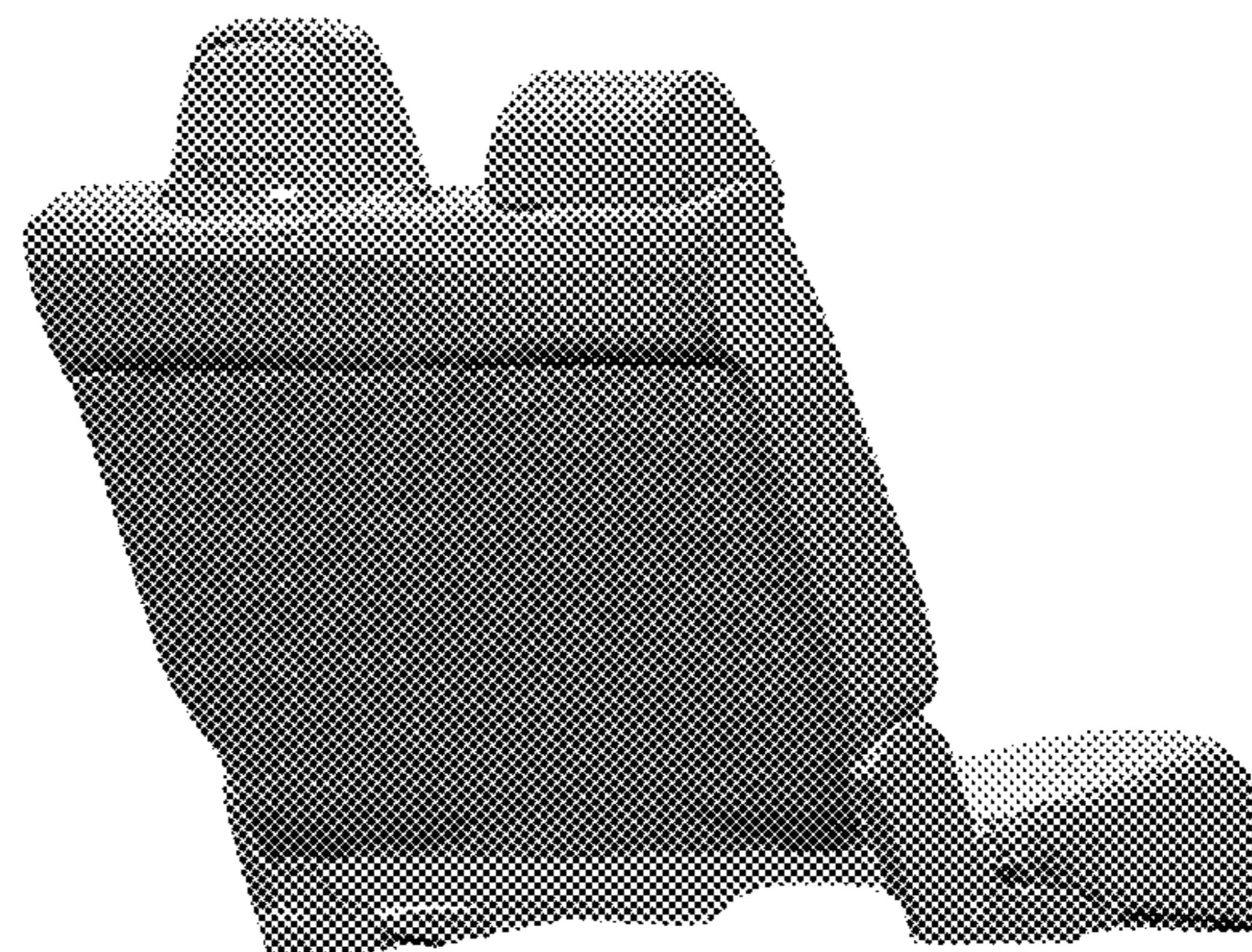




FIG. 1

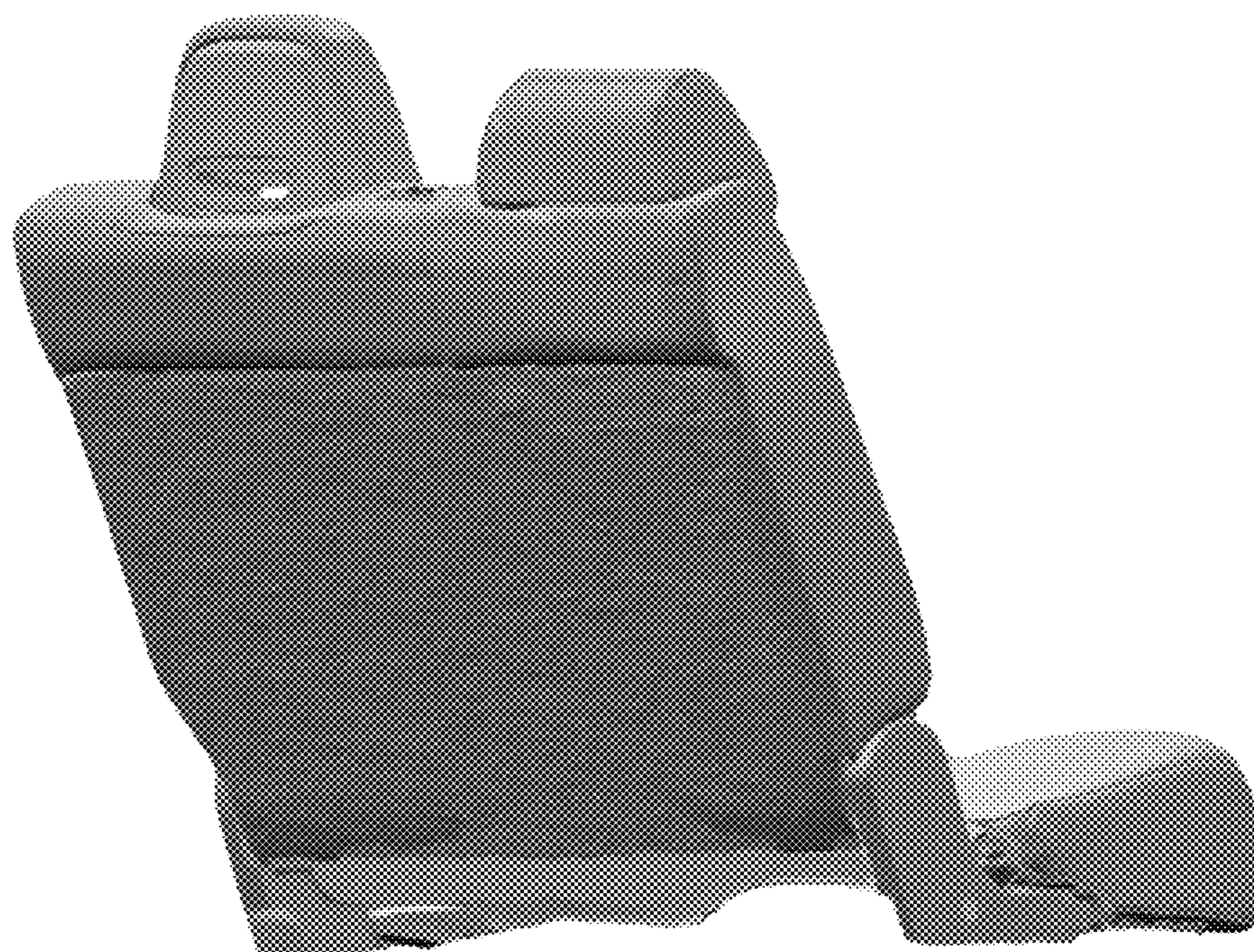


FIG. 2



FIG. 3



FIG. 4



FIG. 5

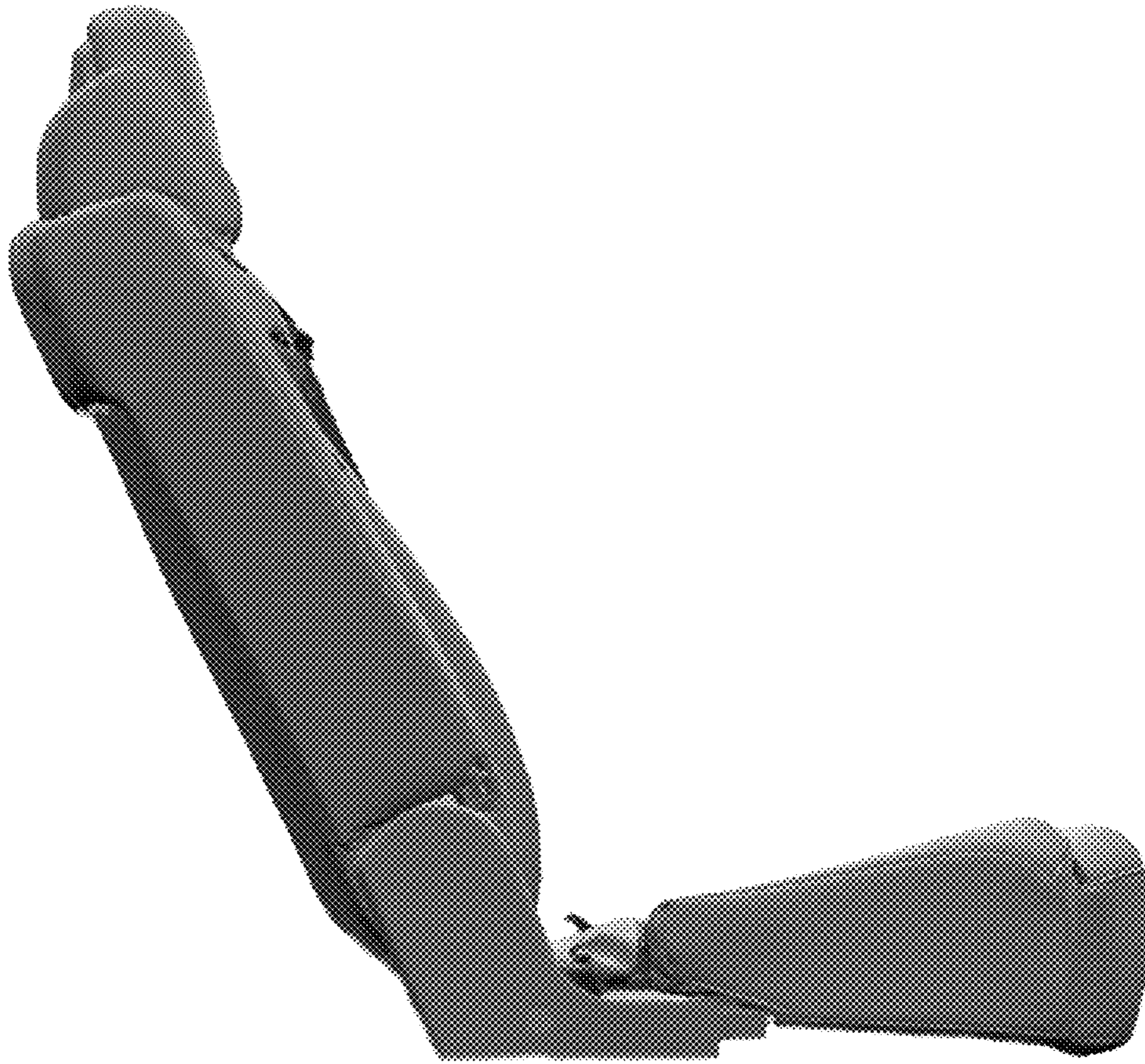


FIG. 6



FIG. 7

UNITED STATES PATENT AND TRADEMARK OFFICE
CERTIFICATE OF CORRECTION

PATENT NO. : D749,334 S
APPLICATION NO. : 29/512729
DATED : February 16, 2016
INVENTOR(S) : Sean Henstridge

Page 1 of 1

It is certified that error appears in the above-identified patent and that said Letters Patent is hereby corrected as shown below:

In the Title Page:

At column 1, line number 7, under "Inventor", the city "Whitley" is incorrect and should be deleted.

The city should read "Coventry".

Signed and Sealed this
Twenty-fifth Day of October, 2016



Michelle K. Lee
Director of the United States Patent and Trademark Office