



US00D749331S

(12) **United States Design Patent**
Shibuta

(10) **Patent No.:** **US D749,331 S**

(45) **Date of Patent:** **** Feb. 16, 2016**

(54) **PASSENGER SEAT FOR MOTORCYCLES**

(56) **References Cited**

(71) Applicant: **Kawasaki Jukogyo Kabushiki Kaisha,**
Hyogo (JP)

(72) Inventor: **Yu Shibuta,** Kobe (JP)

(73) Assignee: **KAWASAKI JUKOGYO**
KABUSHIKI KAISHA, Kobe-Shi,
Hyogo (JP)

(**) Term: **14 Years**

(21) Appl. No.: **29/463,987**

(22) Filed: **Apr. 25, 2014**

(30) **Foreign Application Priority Data**

Oct. 30, 2013 (JP) 2013-025240

(51) **LOC (10) Cl.** **12-11**

(52) **U.S. Cl.**
USPC **D6/354; D12/110**

(58) **Field of Classification Search**
USPC D6/354; D12/110, 126, 182, 186, 307
CPC B62J 1/00
See application file for complete search history.

U.S. PATENT DOCUMENTS

D564,417 S *	3/2008	Uchiyama	D12/110
D606,906 S *	12/2009	Chosa	D12/110
D636,708 S *	4/2011	Katagiri	D12/110
7,992,885 B2 *	8/2011	Ishikawa	B62J 25/00 180/219
D647,824 S *	11/2011	Kouchi	D12/110
D651,138 S *	12/2011	Lai	D12/110
D689,406 S *	9/2013	Yasuhara	D12/110
D737,179 S *	8/2015	Futamata	D12/110

* cited by examiner

Primary Examiner — George D Kirschbaum

Assistant Examiner — Jennifer Watkins

(57) **CLAIM**

The ornamental design for a passenger seat for motorcycles, as shown and described.

DESCRIPTION

FIG. 1 is a rear elevational view of a passenger seat for motorcycles showing my new design; FIG. 2 is a left side elevational view thereof; FIG. 3 is a right side elevational view thereof; FIG. 4 is a top plan view thereof; FIG. 5 is a front left perspective view thereof; and, FIG. 6 is a rear right perspective view thereof. The broken lines in FIGS. 1 to 6, showing portions of a motorcycle, form no part of the claimed design.

1 Claim, 6 Drawing Sheets

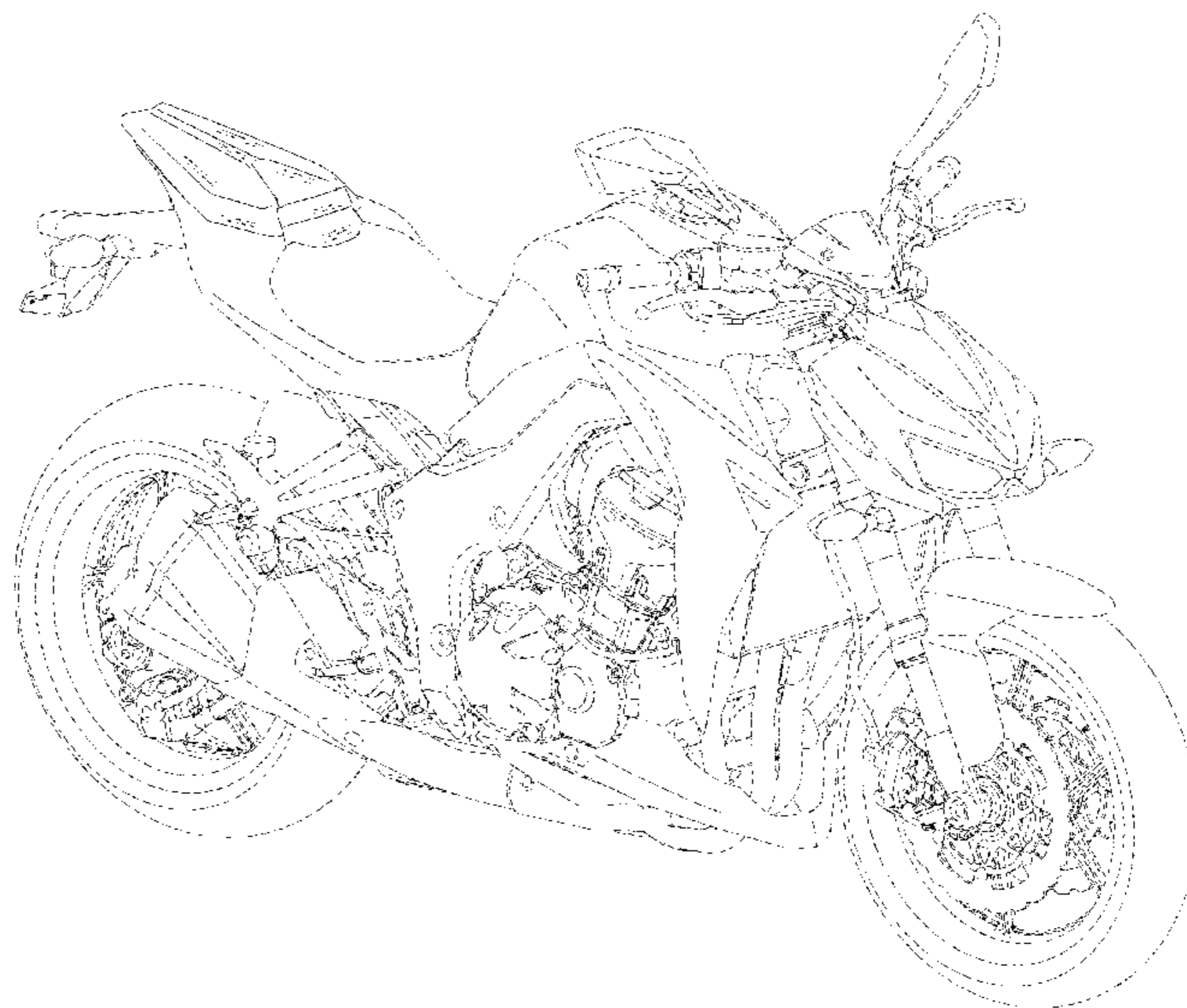
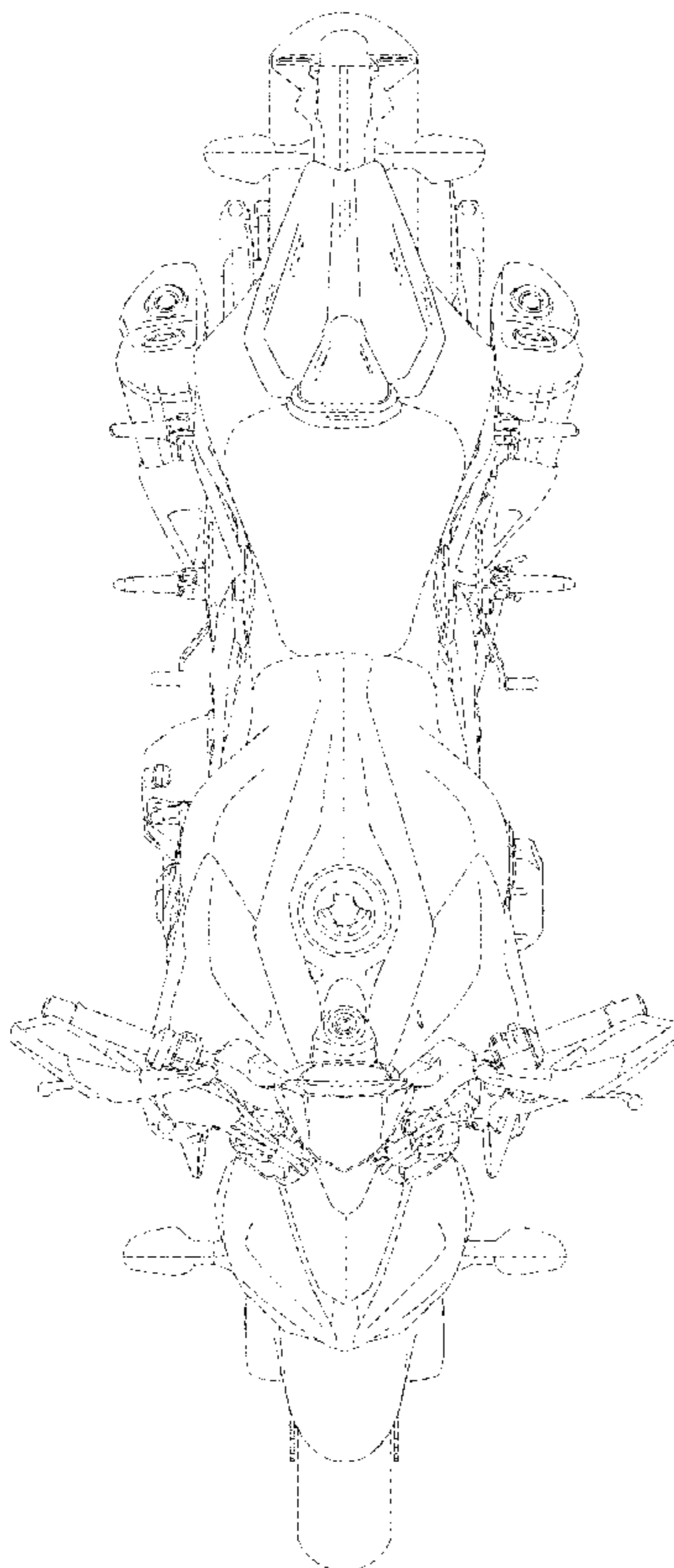
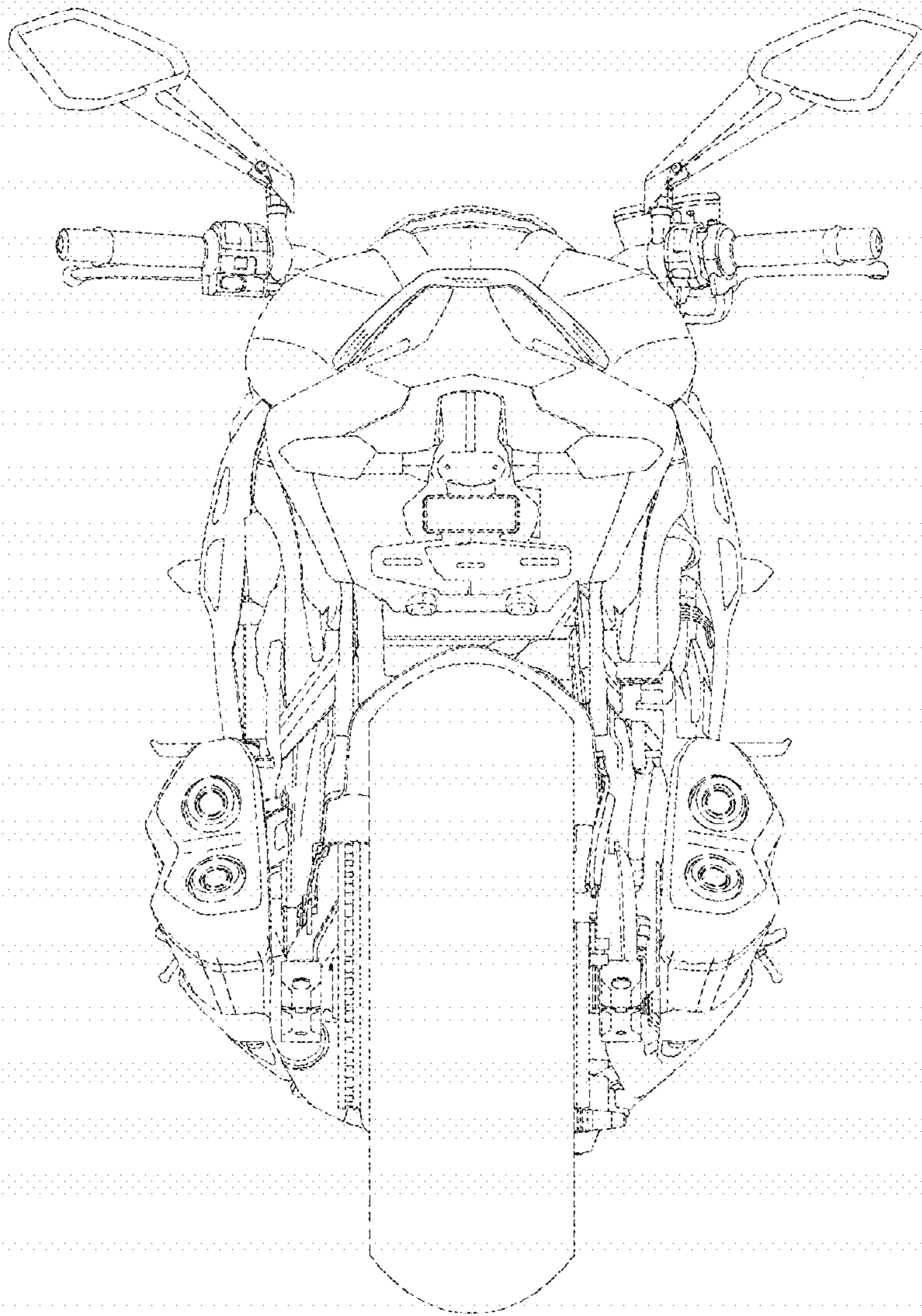


Fig. 1



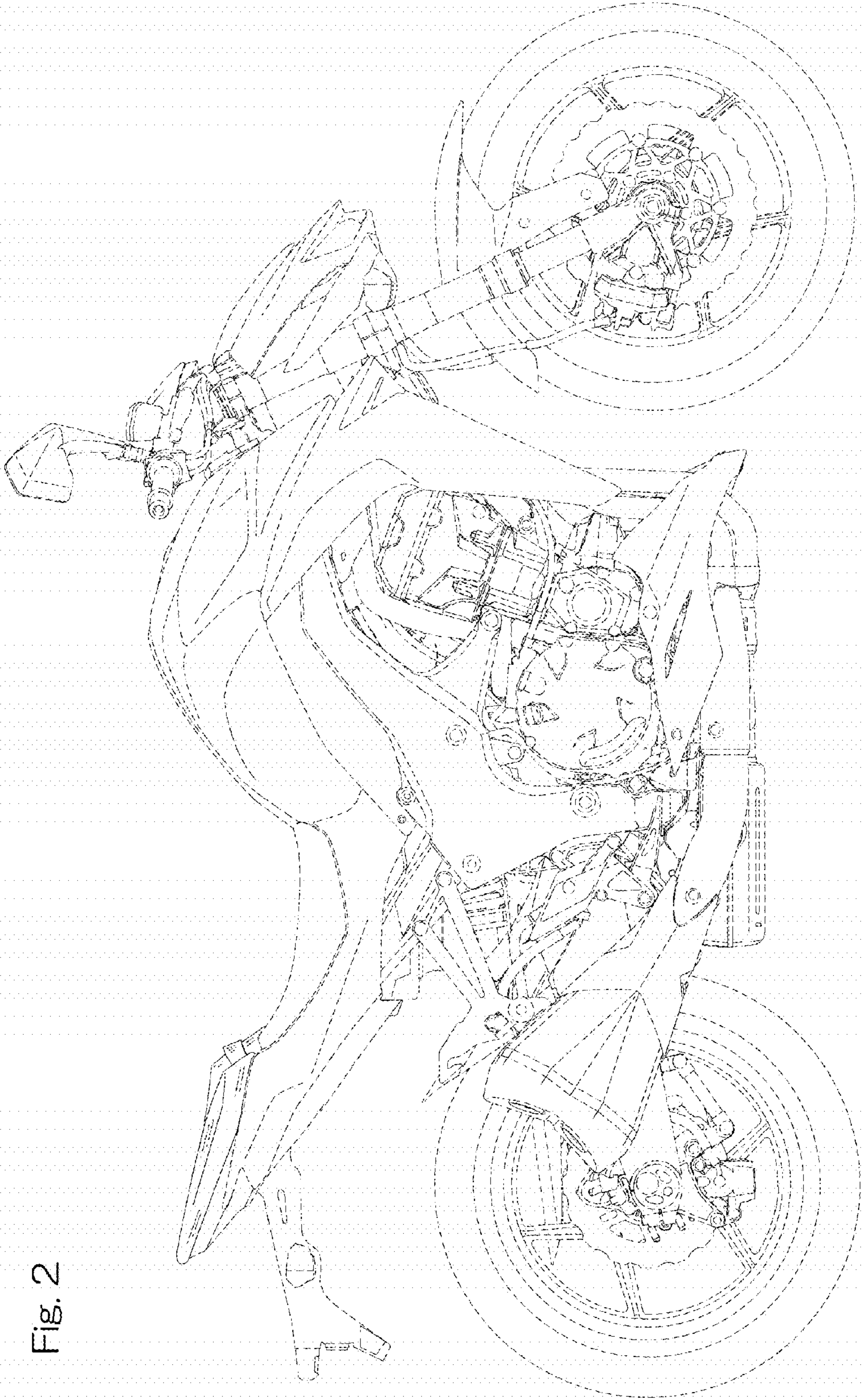


Fig. 2

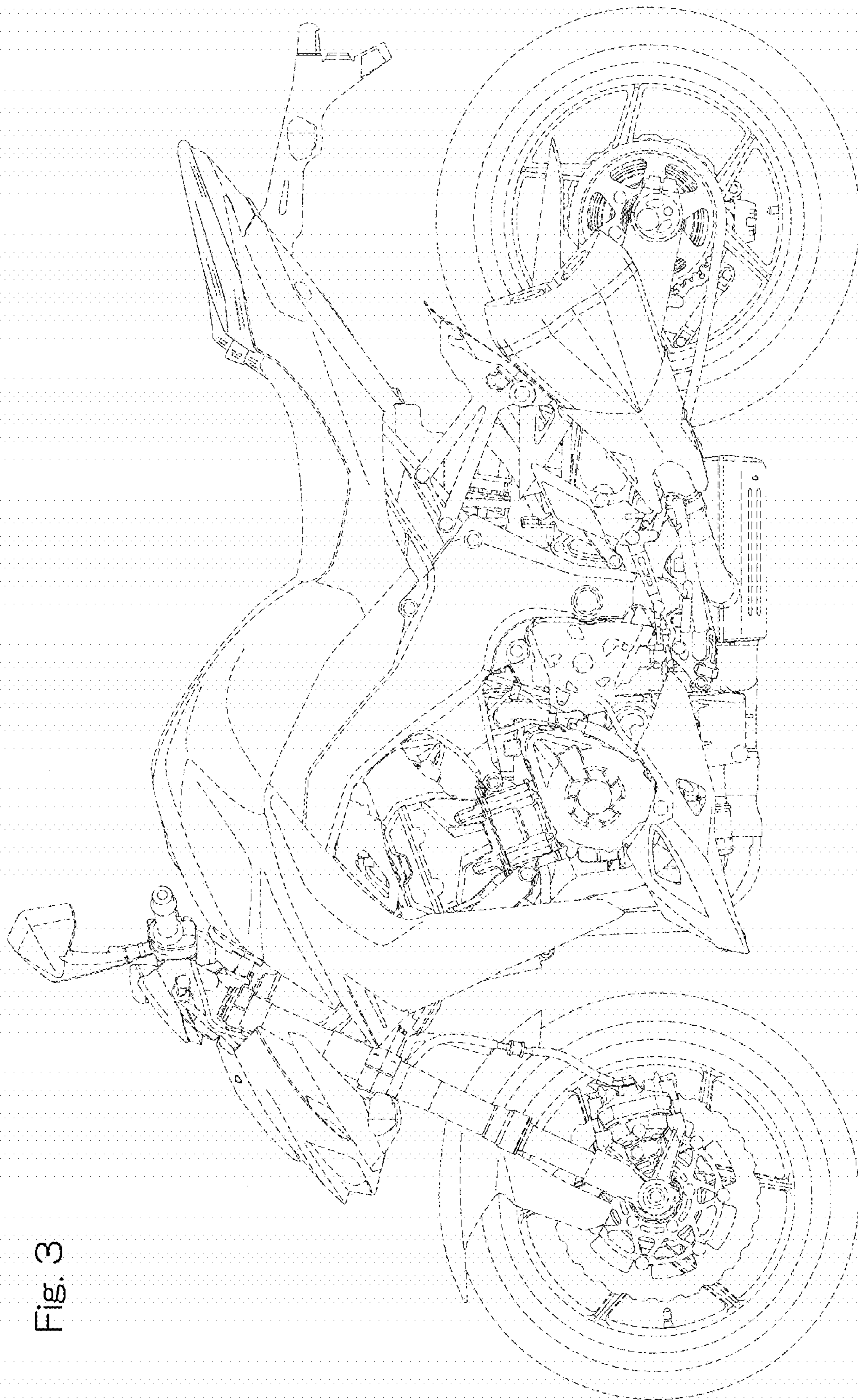
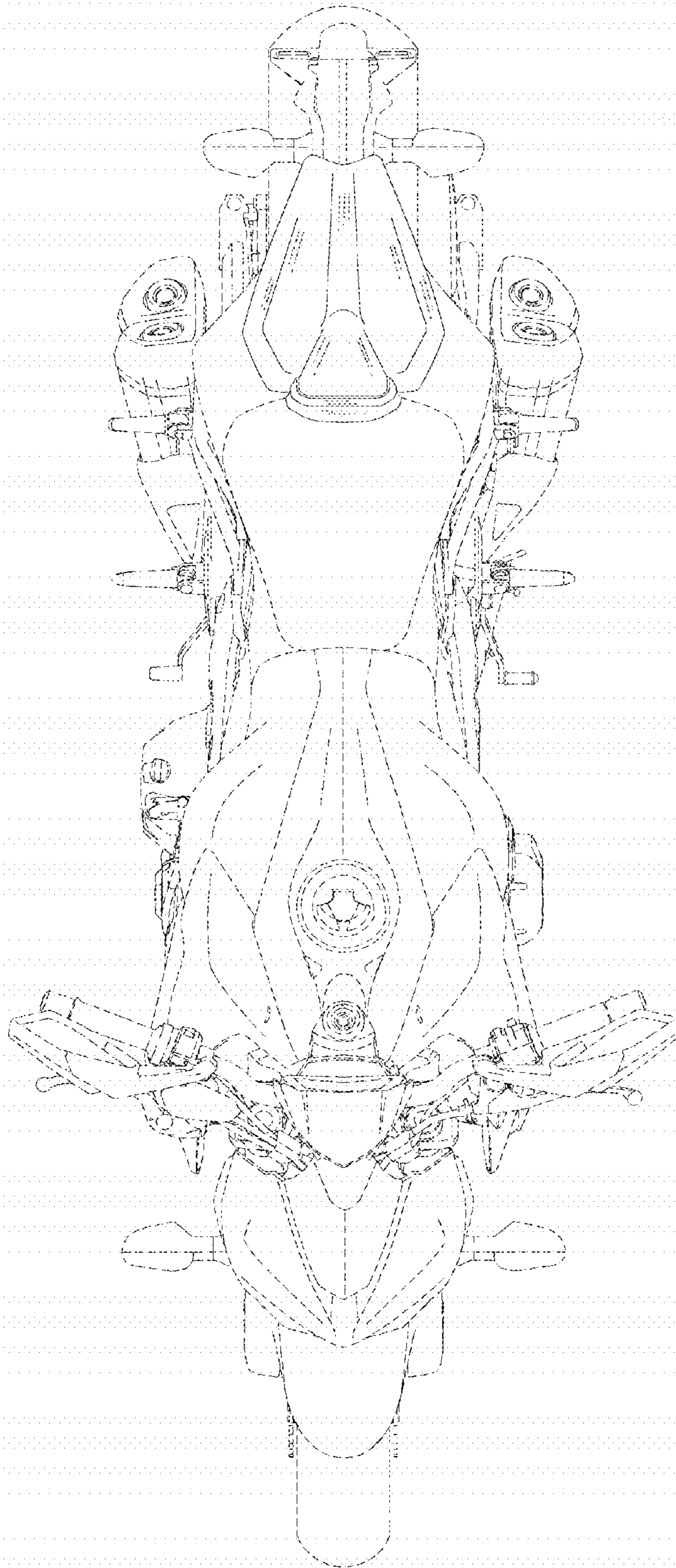


Fig. 3

Fig. 4



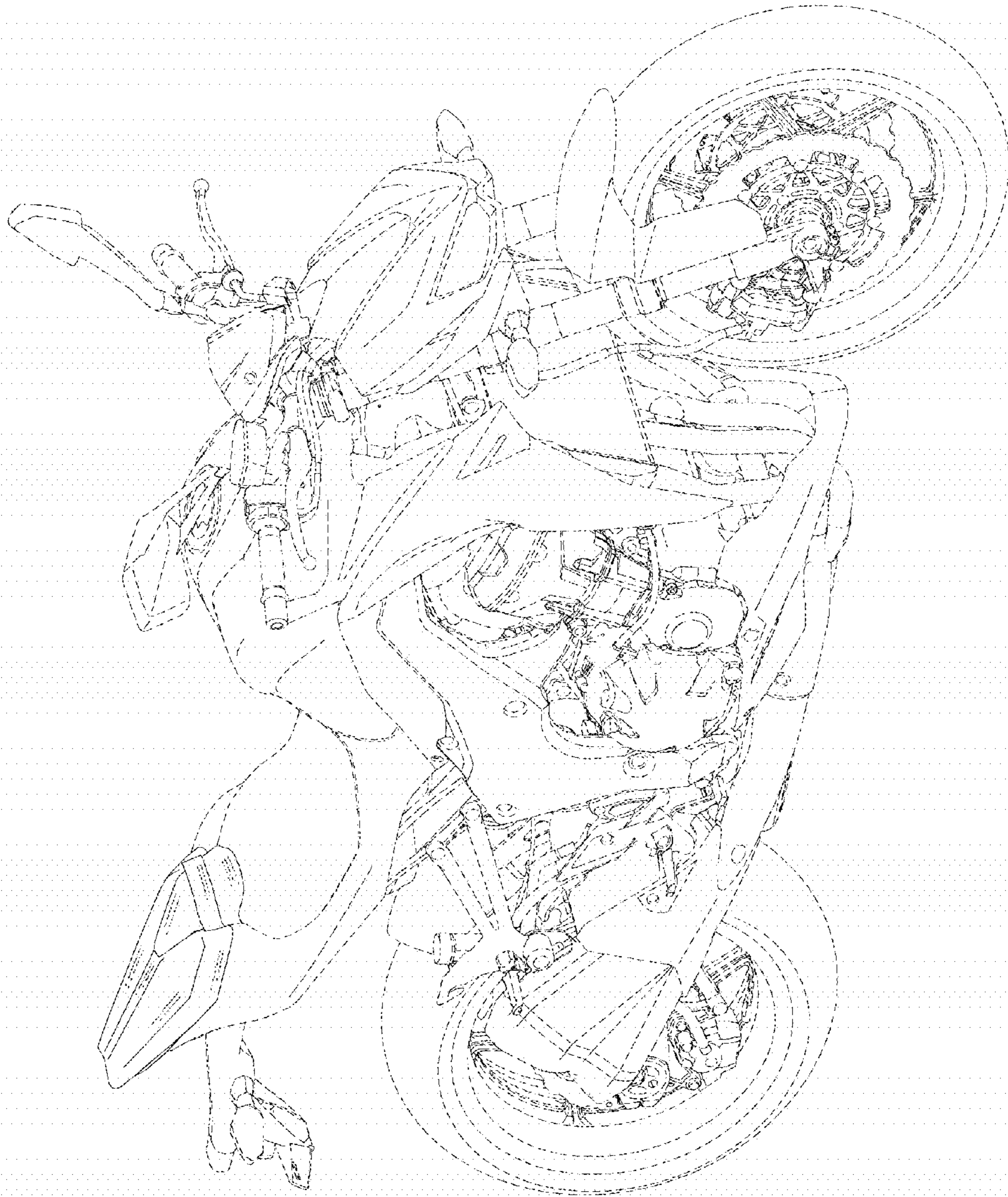


Fig. 5

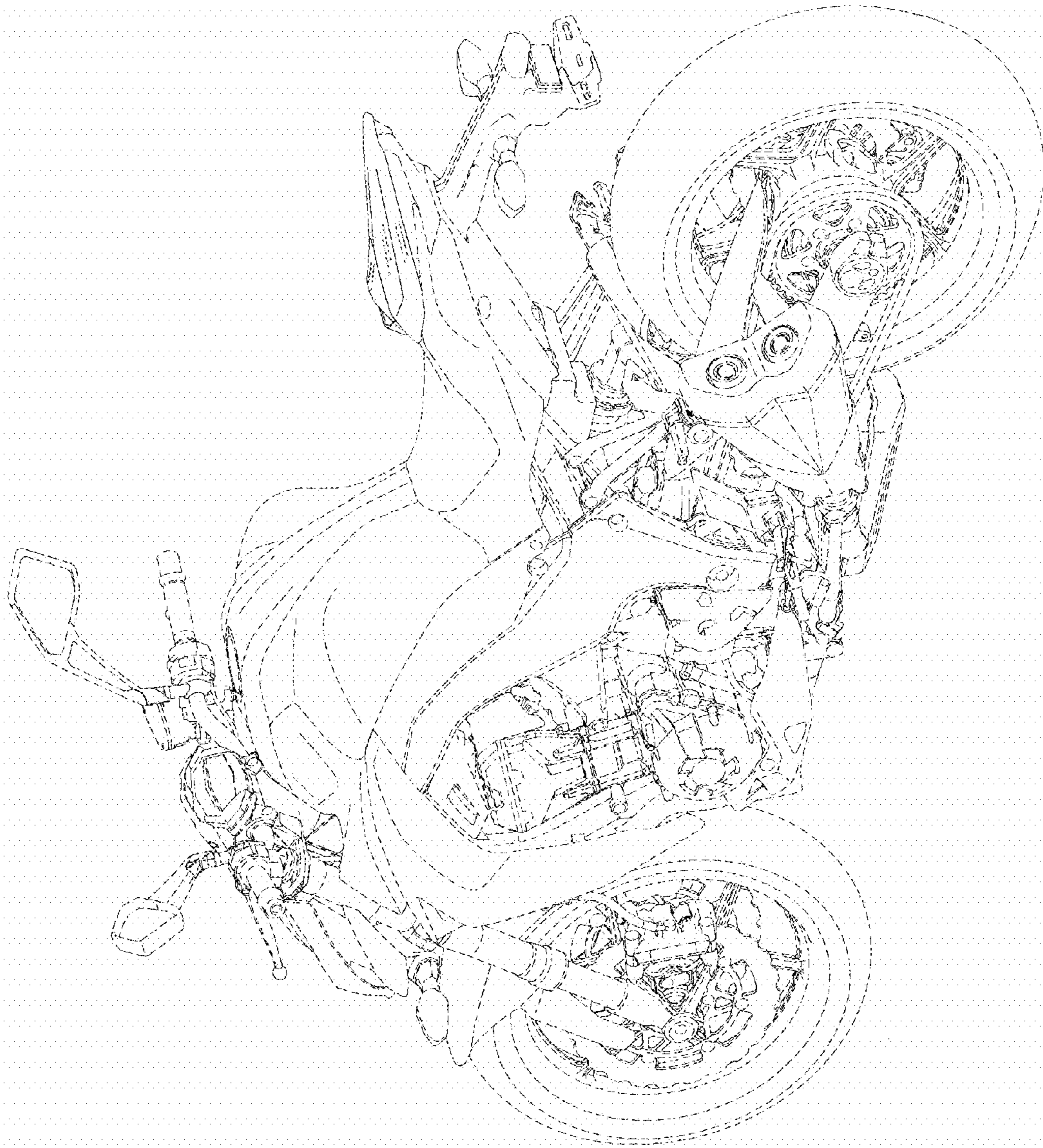


Fig. 6