



US00D749330S

(12) **United States Design Patent**
Jahns

(10) **Patent No.:** **US D749,330 S**

(45) **Date of Patent:** **** Feb. 16, 2016**

(54) **TOILET STOOL**

(71) Applicant: **Henner Jahns**, Los Angeles, CA (US)

(72) Inventor: **Henner Jahns**, Los Angeles, CA (US)

(**) Term: **14 Years**

(21) Appl. No.: **29/506,555**

(22) Filed: **Oct. 16, 2014**

(51) **LOC (10) Cl.** **06-01**

(52) **U.S. Cl.**

USPC **D6/349**

(58) **Field of Classification Search**

USPC D6/333, 335, 340, 344, 347, 349–355,
D6/358, 360, 363–365, 381, 596, 662.1,
D6/677, 685, 687, 688.15, 688.27, 690,
D6/691, 692.1–692.3, 695.1, 708.16,
D6/708.2, 709, 709.2, 709.22, 711,
D6/716–716.7, 717; D25/63–65

CPC A47C 1/14; A47C 3/16–3/20; A47C 4/00;
A47C 4/28; A47C 5/02; A47C 5/04; A47C
5/043; A47C 7/00–7/006; A47C 7/02; A47C
9/00; A47C 9/02; A47C 9/002; A47C 9/007;
A47C 9/025; A47C 9/10; A47C 11/00;
A47C 12/00; A47C 13/00; A47C 16/02;
A47B 7/00–7/02; A47B 45/00; A47B
47/04–47/045; A47B 3/12

See application file for complete search history.

(56) **References Cited**

U.S. PATENT DOCUMENTS

D508,556 S *	8/2005	Palazzolo	D23/309
D524,562 S *	7/2006	Franciosa	D6/349
D538,557 S *	3/2007	Martyn	D6/656.11
D553,370 S *	10/2007	Meyers et al.	D6/350
D629,222 S *	12/2010	Kay	D6/349
D629,627 S *	12/2010	Mylet	D6/349
D652,222 S *	1/2012	Edwards	D6/349
D677,478 S *	3/2013	Edwards et al.	
D698,163 S *	1/2014	Edwards	D6/349

* cited by examiner

Primary Examiner — Susan Bennett Hattan

Assistant Examiner — Vy Koenig

(74) *Attorney, Agent, or Firm* — Aaron McGushion

(57) **CLAIM**

The ornamental design for a toilet stool, substantially as shown and described.

DESCRIPTION

FIG. 1 is a perspective view of a toilet stool, showing my new design;

FIG. 2 is a left side elevation view thereof, the right side elevational view being a mirror image thereof;

FIG. 3 is a rear elevation view thereof;

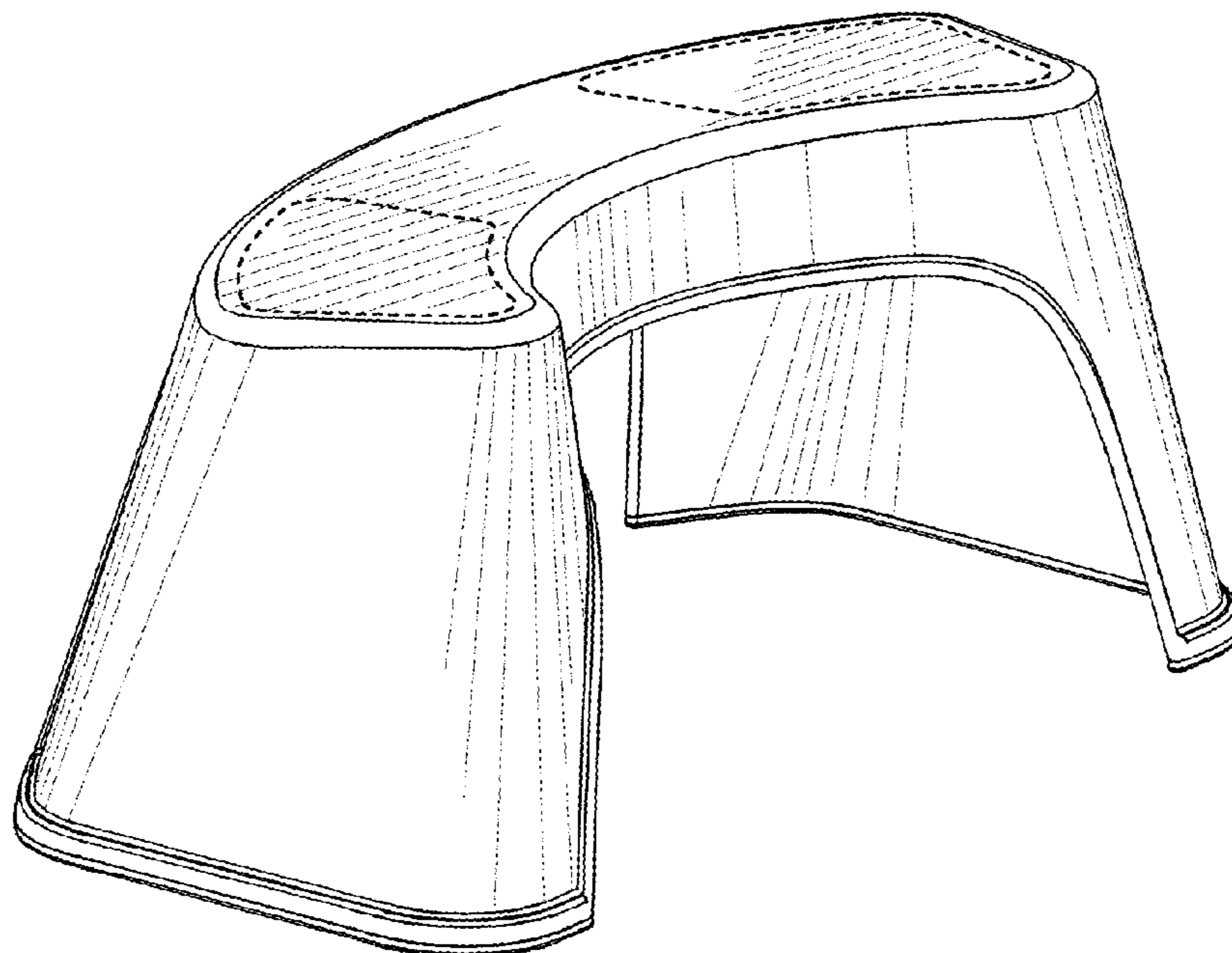
FIG. 4 is a front elevation view thereof;

FIG. 5 is a top elevation view thereof; and,

FIG. 6 is a bottom elevation view thereof.

The broken lines showing foot pads in FIGS. 1, 3, and 5 and the structural ribbing in FIG. 6 depict environmental matter and form no part of the claimed design.

1 Claim, 3 Drawing Sheets



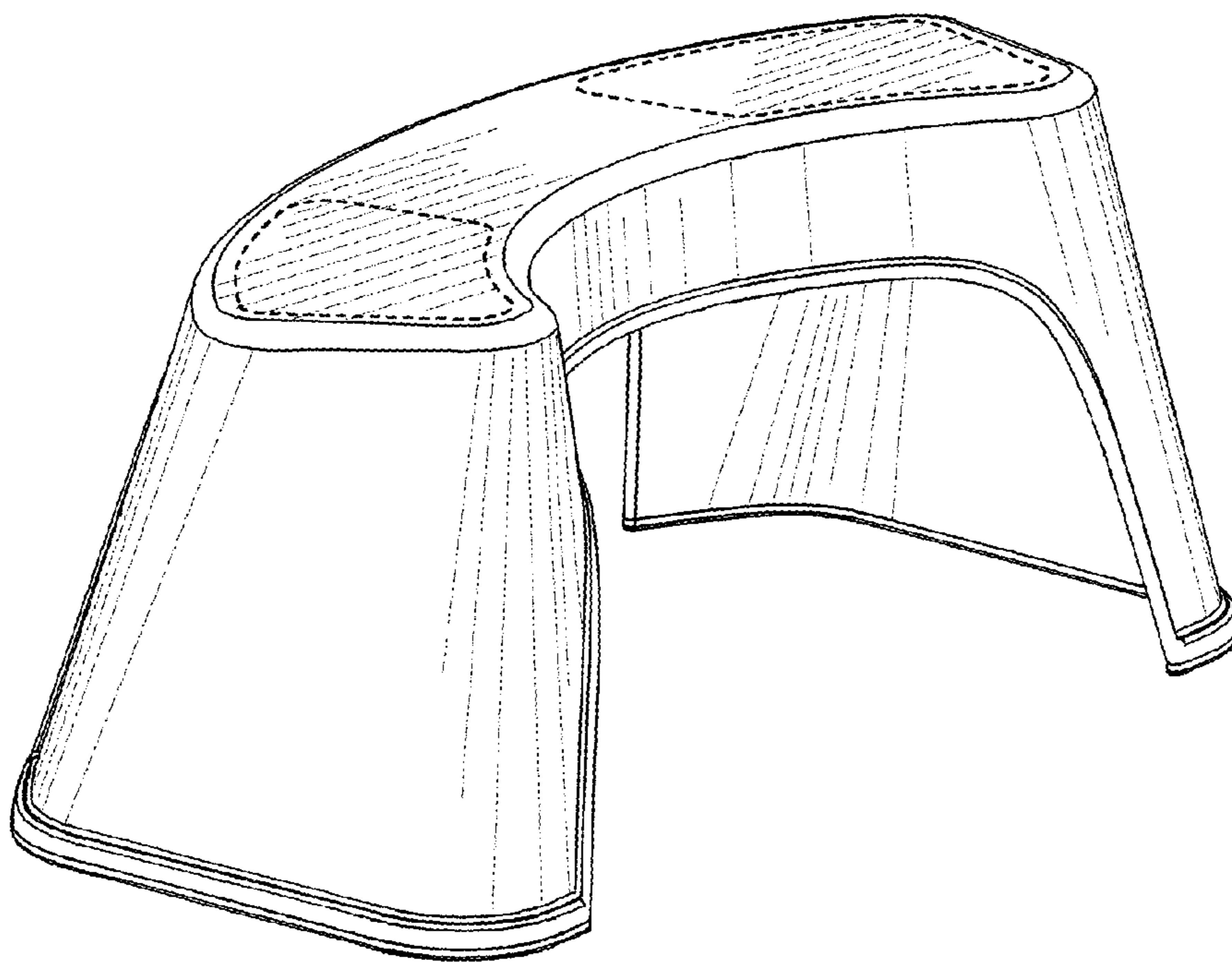


FIG. 1

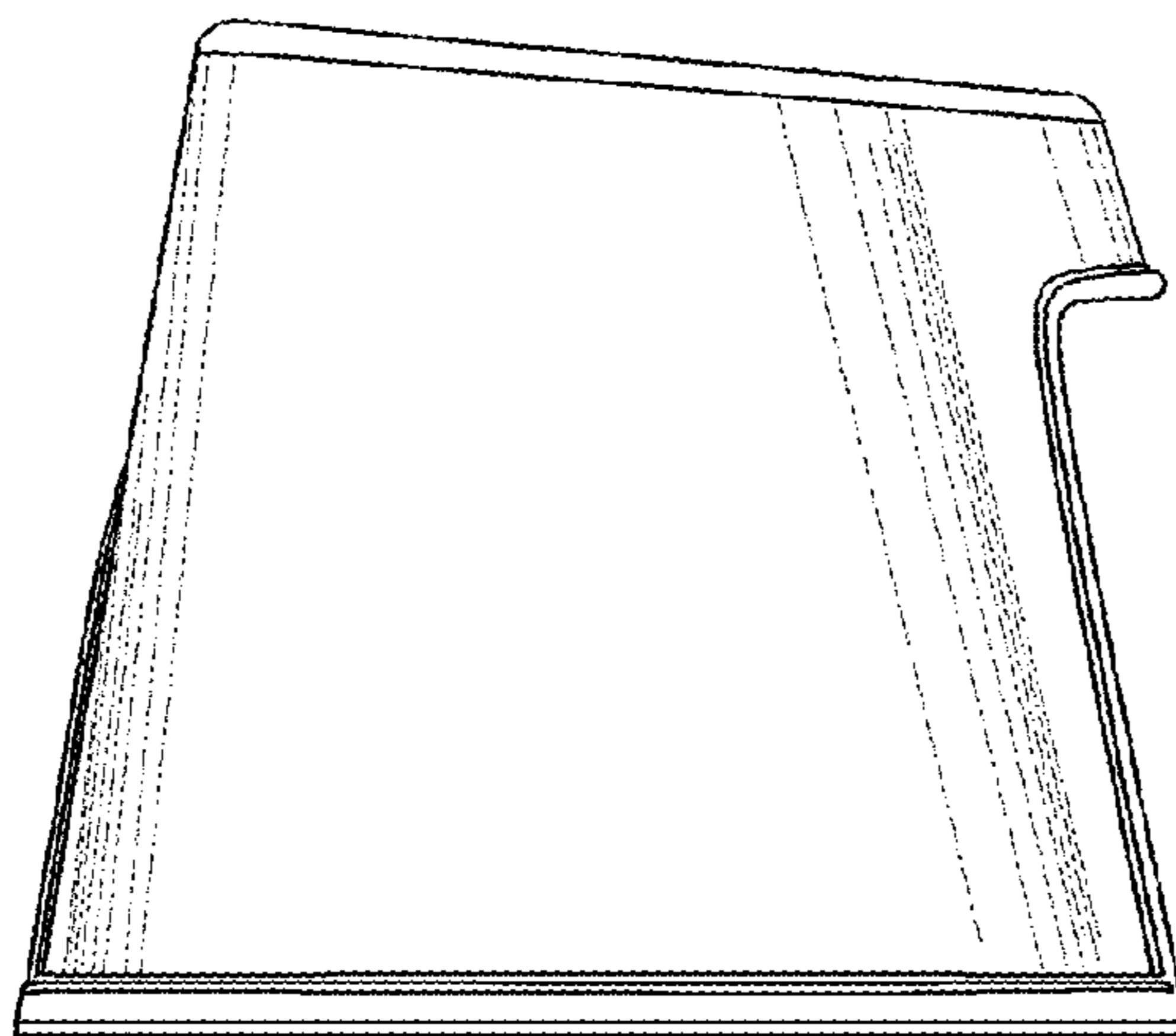


FIG. 2

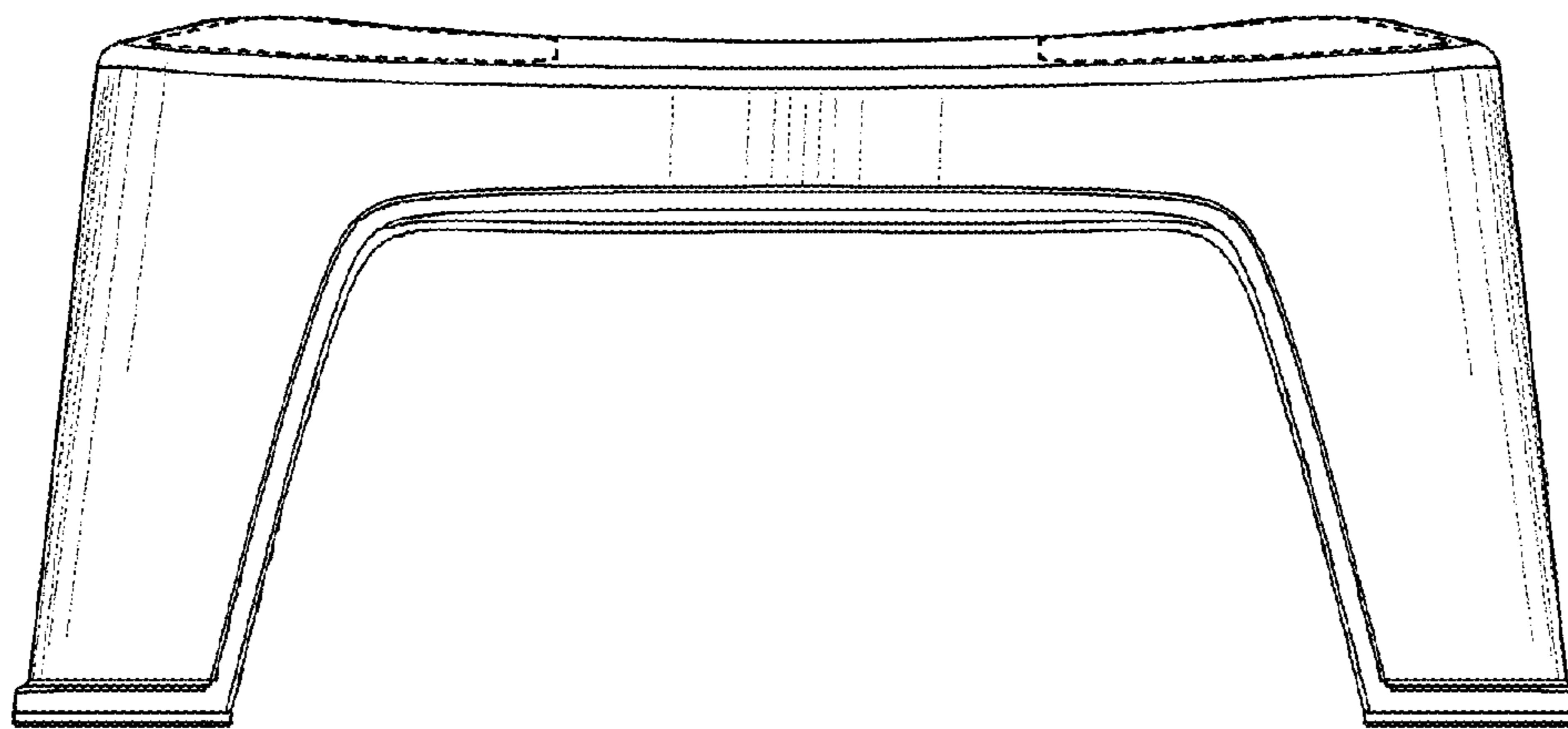


FIG. 3

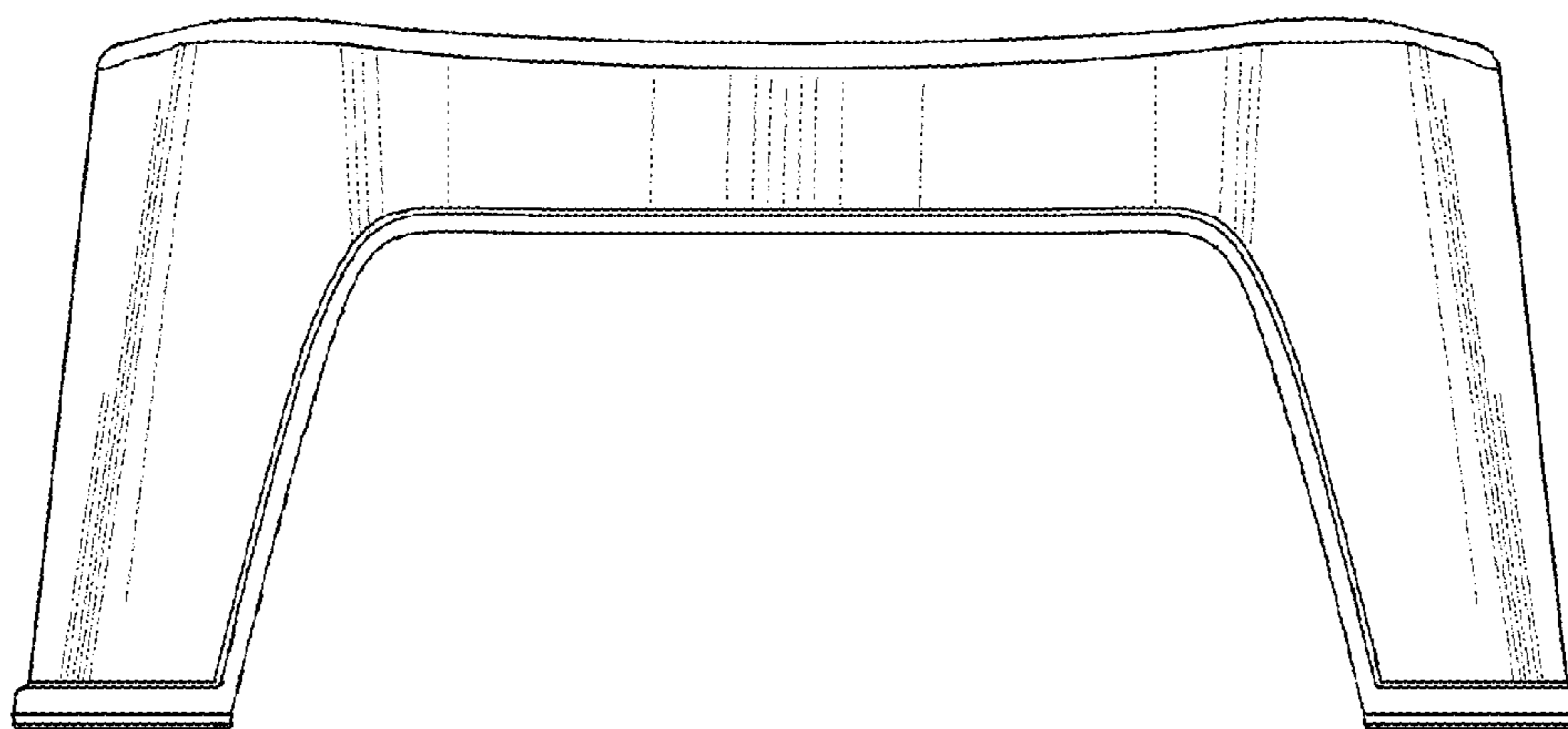


FIG. 4

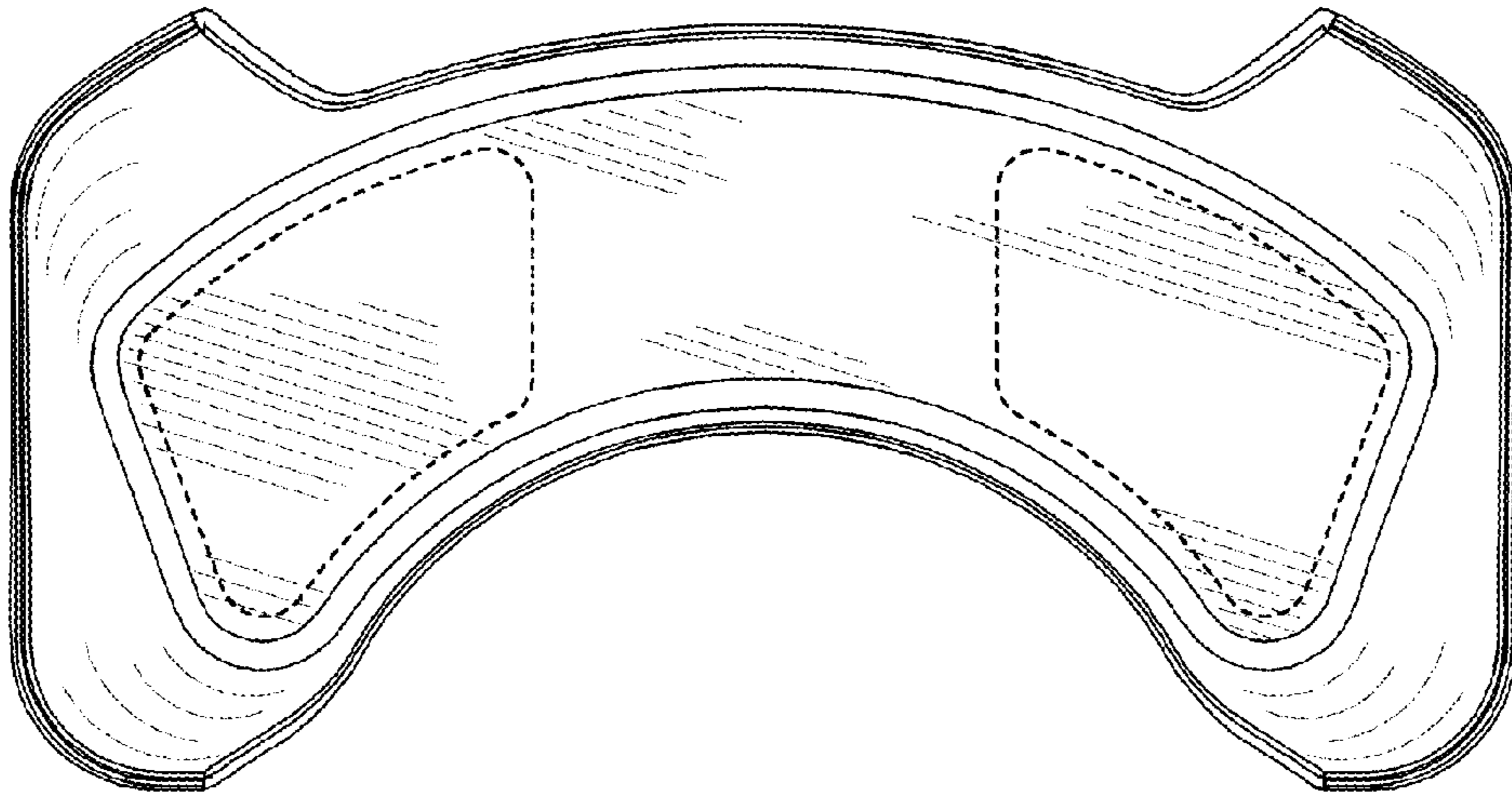


FIG. 5

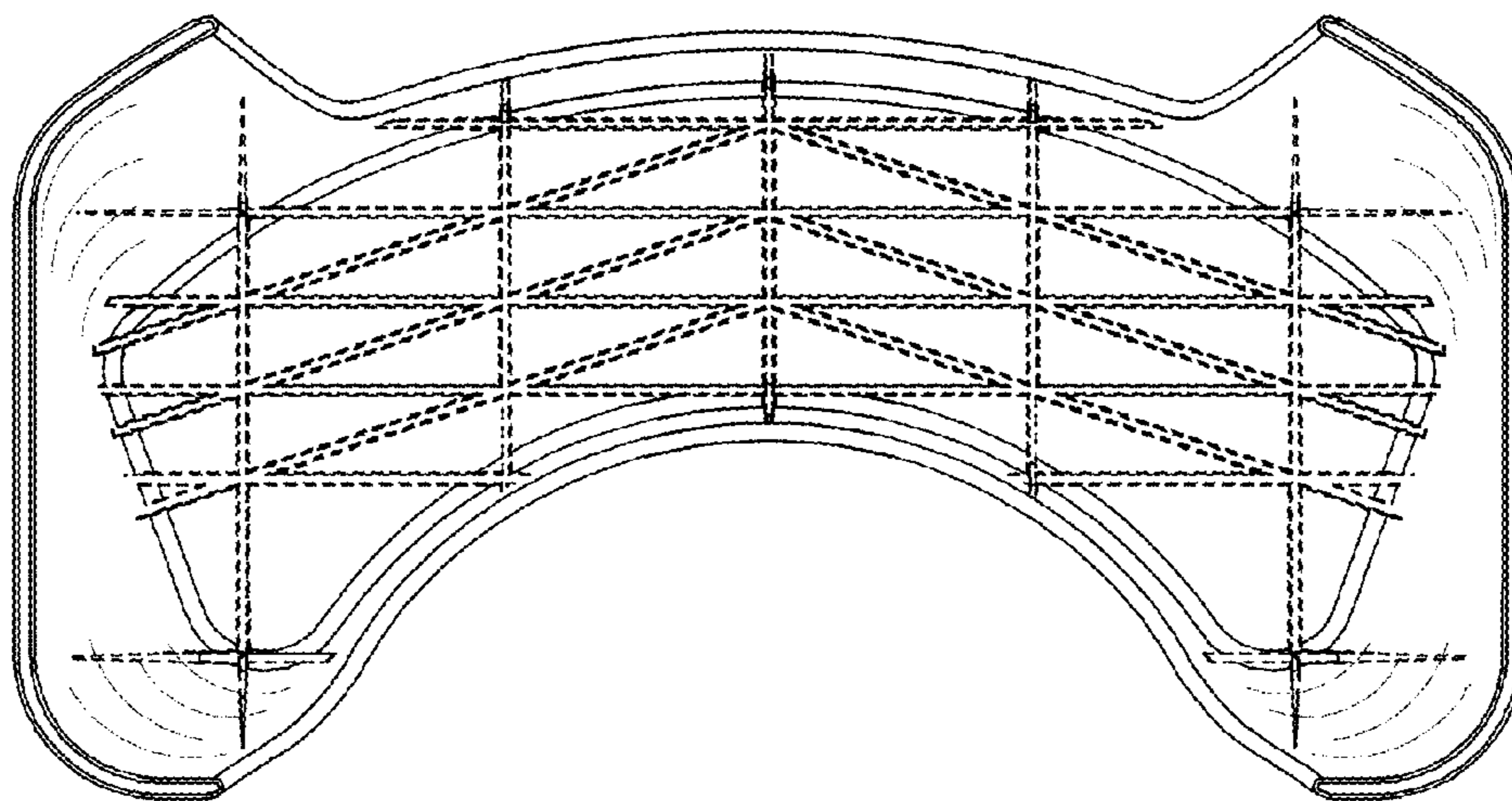


FIG. 6