



US00D749329S

(12) **United States Design Patent**  
**Kaiser**

(10) **Patent No.:** **US D749,329 S**  
(45) **Date of Patent:** **\*\* Feb. 16, 2016**

(54) **SELFIE MIRROR**

(71) Applicant: **Erik A. Kaiser**, Mendham, NJ (US)

(72) Inventor: **Erik A. Kaiser**, Mendham, NJ (US)

(\*\*) Term: **14 Years**

(21) Appl. No.: **29/522,948**

(22) Filed: **Apr. 5, 2015**

(51) **LOC (10) Cl.** ..... **06-07**

(52) **U.S. Cl.**

USPC ..... **D6/300**; D6/308

(58) **Field of Classification Search**

USPC ..... D6/300–314; D11/132, 133, 143;  
D20/10, 19, 40, 42, 43, 99; 40/27, 380,  
40/757, 700, 732, 743, 781, 772, 769;  
D14/432, 471, 483, 125, 129, 217

CPC ..... A47G 1/02; G02B 5/08

See application file for complete search history.

Pixiwoo Mirror Design (glamcorofficial), available Mar. 30, 2014, [online], [site visited Jul. 13, 2015]. Available from internet, <URL: <http://pinsta.me/glamcorofficial>.\*

Glamcor Studio Mirror (Big Beauty Buzz), available Apr. 12, 2011, [online], [site visited Jul. 13, 2015]. Available from internet, <URL: <http://www.makeupbyrenren.com/2011/04/big-beauty-buzz-glamcor-studio-tour.html>.\*

Glamcor Mirror (Facebook), available Aug. 9, 2013, [online], [site visited Jul. 13, 2015]. Available from internet, <URL: <https://www.facebook.com/GLAMCOR/photos/pb.156742967714947.-2207520000.1436706065./539468682775705/?type=3&theater>.\*

Jerdon Rectangular Mirror, available Jun. 17, 2013, [online], [site visited Jul. 13, 2015]. Available from internet, <URL: <http://www.amazon.com/Jerdon-JS811W-11-Inch-Rectangular-Magnification/dp/B00B9QUDZG>.\*

(Continued)

*Primary Examiner* — Cathron Brooks

*Assistant Examiner* — Teddy Falloway

(74) *Attorney, Agent, or Firm* — Steven N. Fox, Esq.

(56) **References Cited**

**U.S. PATENT DOCUMENTS**

2,343,068	A *	2/1944	Luce	359/542
D258,475	S *	3/1981	Edstrom	D6/526
D324,463	S *	3/1992	Young	D6/525
5,402,265	A *	3/1995	Jahoda et al.	359/512
D462,181	S *	9/2002	Vandenbussche	D6/310
6,619,805	B1 *	9/2003	Roth	359/507
D488,835	S *	4/2004	Haruhiro	D19/90
D515,629	S *	2/2006	Nudo, Jr.	D20/10
D644,955	S *	9/2011	Barton, III	D11/132
D704,939	S *	5/2014	Mischel, Jr.	D6/300
D706,869	S *	6/2014	Tunis et al.	D19/113
D725,710	S *	3/2015	Hottmann et al.	D20/27

**OTHER PUBLICATIONS**

Glamcor Mirror (Suesh Makeup Toolkit), available Jun. 20, 2015, [online], [site visited Jul. 13, 2015]. Available from internet, <URL: [https://www.facebook.com/pages/Suesh-Makeup-Toolkit/230391965594?sk=photos\\_stream&ref=page\\_internal](https://www.facebook.com/pages/Suesh-Makeup-Toolkit/230391965594?sk=photos_stream&ref=page_internal).\*

(57) **CLAIM**

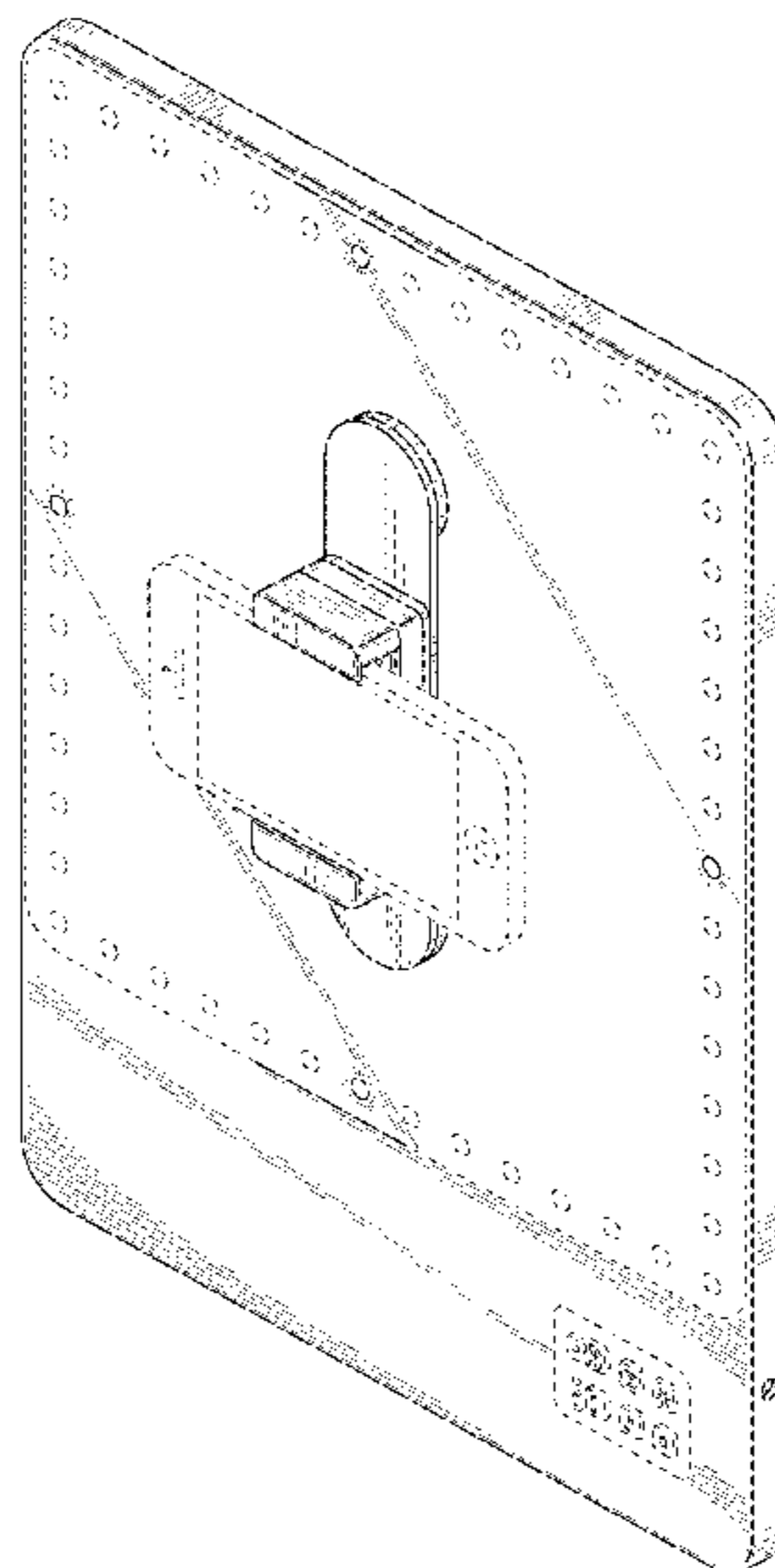
The ornamental design for a selfie mirror, as shown and described.

**DESCRIPTION**

FIG. 1 is a front perspective view of a selfie mirror according to the present invention;  
FIG. 2 is a front view thereof;  
FIG. 3 is a rear view thereof;  
FIG. 4 is a left side view thereof;  
FIG. 5 is a right side view thereof;  
FIG. 6 is a top view thereof; and,  
FIG. 7 is a bottom view thereof.

The broken lines shown in the figures are included for the purpose of illustrating portions of the selfie mirror that form no part of the claimed design.

**1 Claim, 5 Drawing Sheets**



(56)

**References Cited**

OTHER PUBLICATIONS

Rucci Vanity Mirror, available Jul. 1, 2014, [online], [site visited Jul. 13, 2015]. Available from internet, <URL: <http://www.amazon.com/Rucci-Lighted-Movable-Vanity-Mirror/dp/B00101Q2IA>>.\*

Compact Mirror (Pixiwoo), available Jun. 4, 2013, [online], [site visited Jul. 13, 2015]. Available from internet, <URL: <http://www.pixiwoo.com/2013/06/pebble-grey-compact-mirror.html>>.\*  
Selfie Mirror (c|net), available Apr. 9, 2014, [online], [site visited Jul. 13, 2015]. Available from internet, <URL: <http://www.cnet.com/news/automated-selfie-mirror-catches-you-smiling/>>.\*

\* cited by examiner

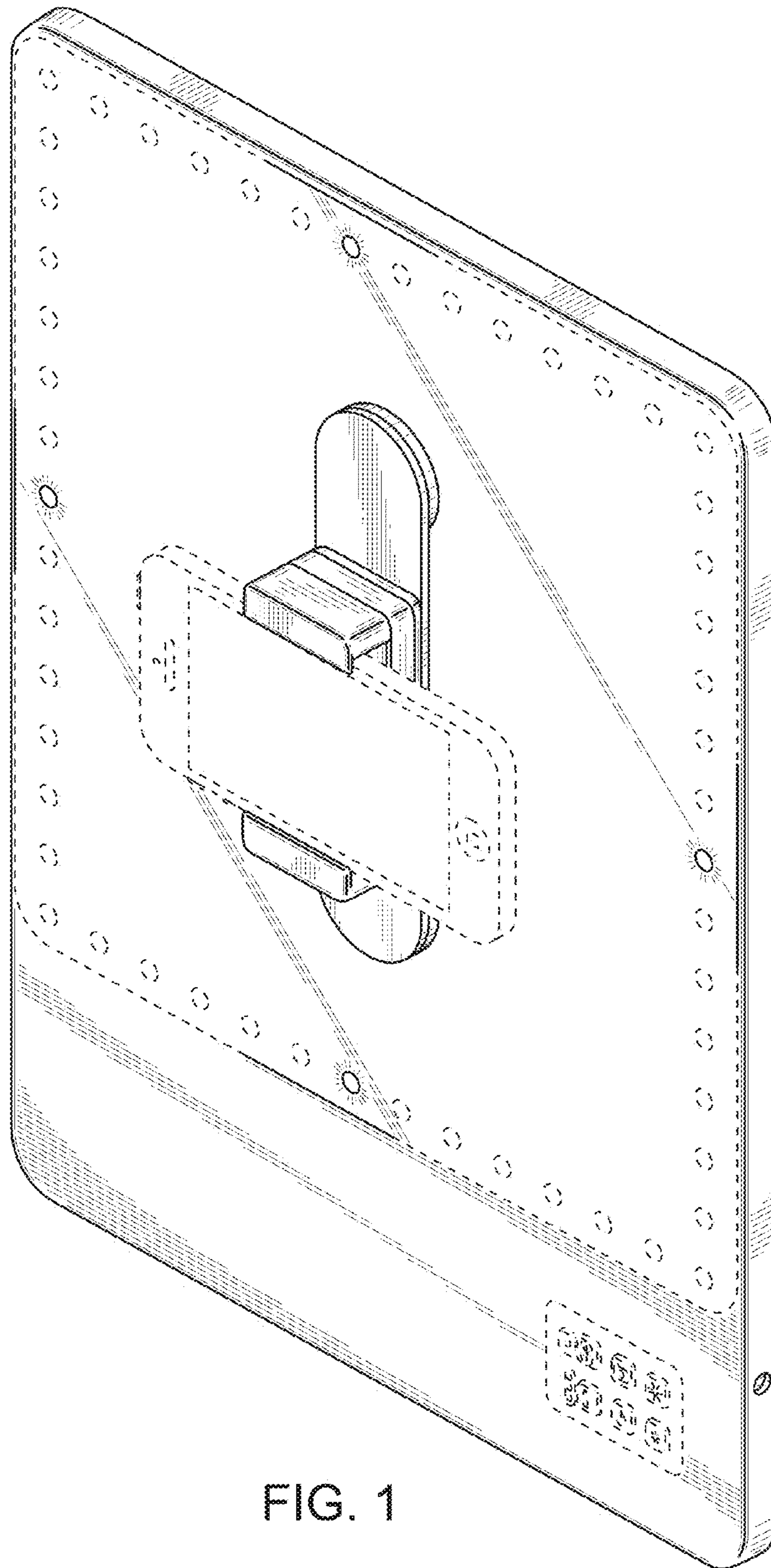


FIG. 1

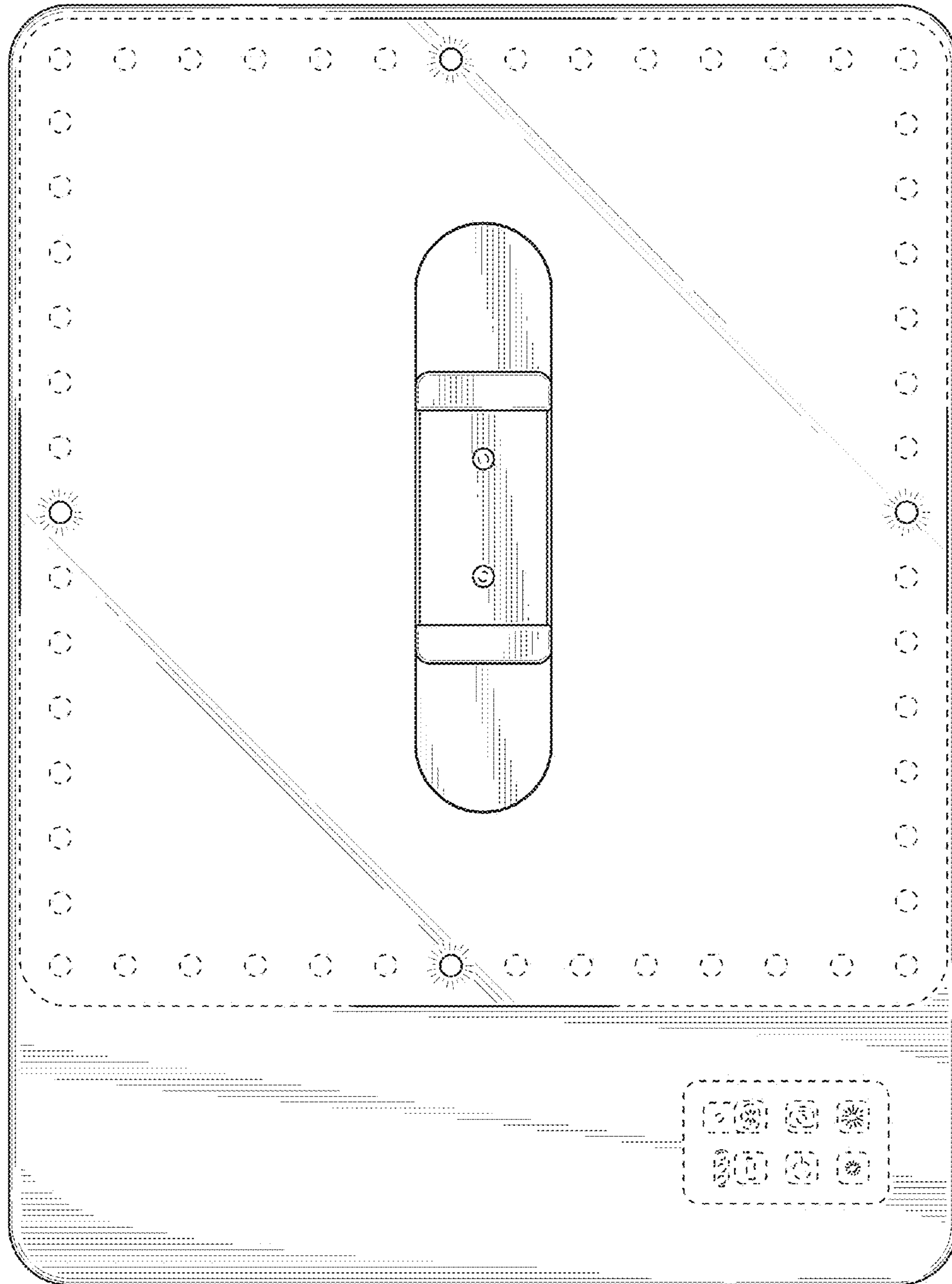


FIG. 2

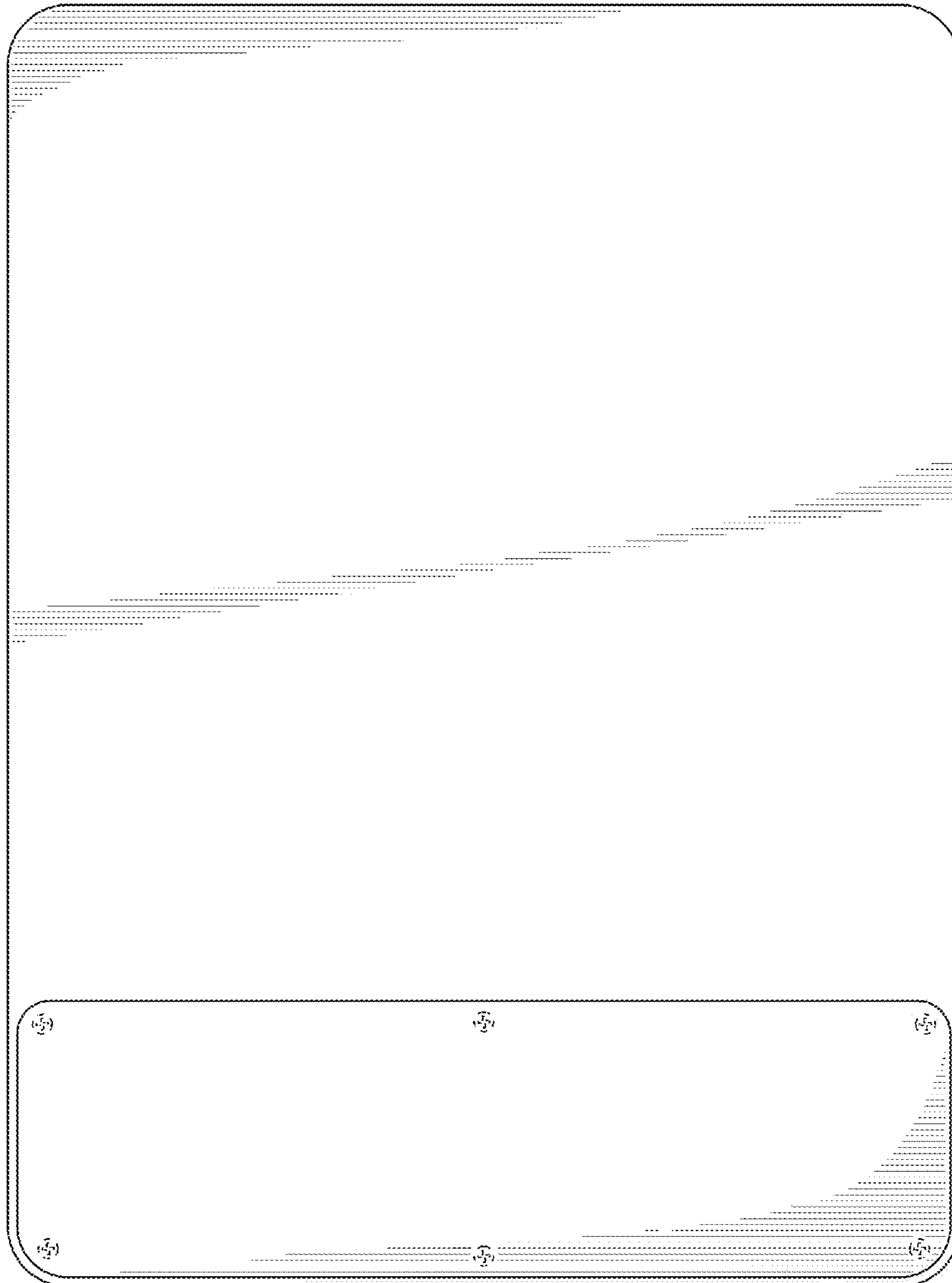


FIG. 3

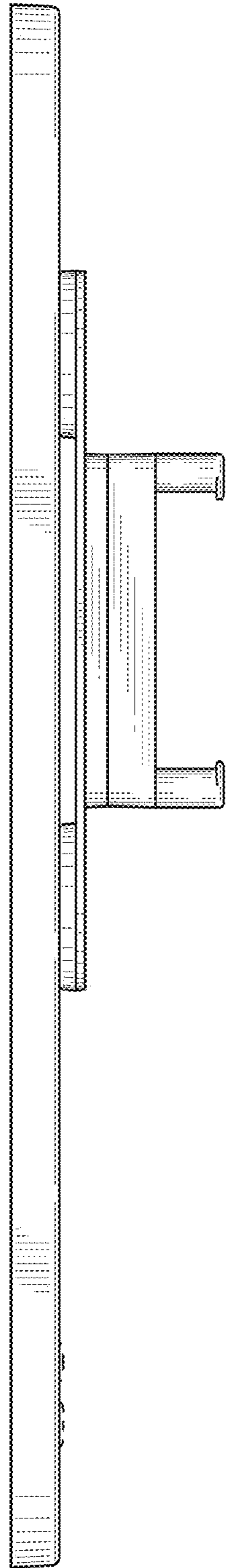


FIG. 4

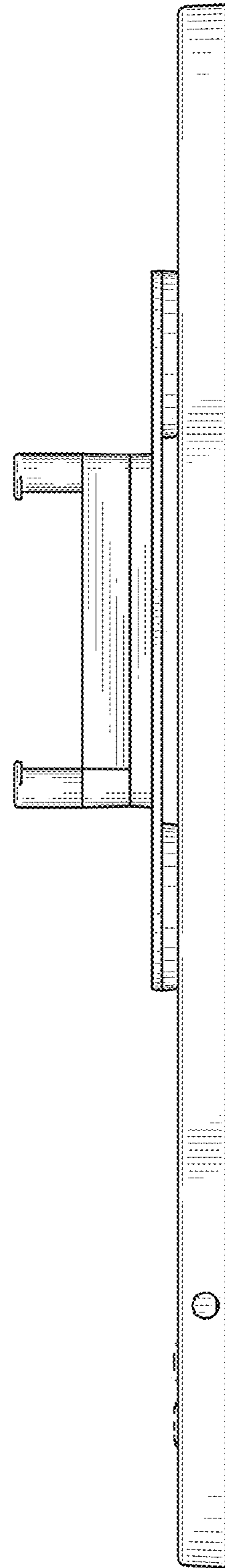


FIG. 5

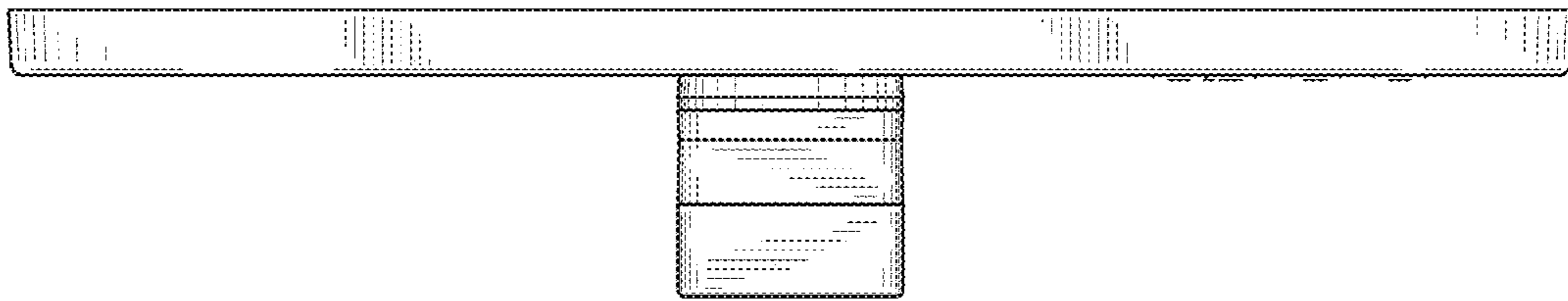


FIG. 6

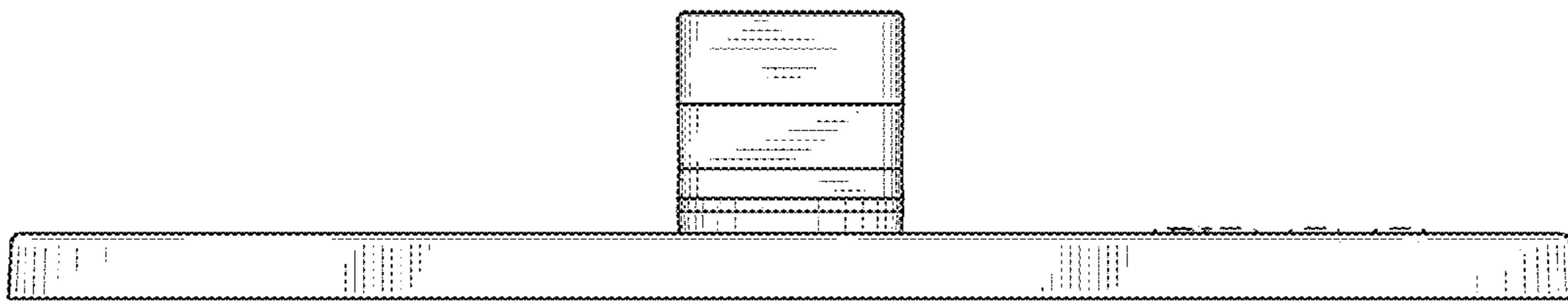


FIG. 7