



US00D749328S

(12) **United States Design Patent**  
**Hanel**

(10) **Patent No.:** **US D749,328 S**

(45) **Date of Patent:** **\*\* Feb. 16, 2016**

(54) **TRANSPORTABLE CONTAINER  
PLAYGROUND**

(71) Applicant: **KuKuk Kultur e.V.**, Stuttgart (DE)

(72) Inventor: **Bernhard Hanel**, Stuttgart (DE)

(73) Assignee: **KuKuk Kultur e.V.**, Stuttgart (DE)

(\*\*) Term: **14 Years**

(21) Appl. No.: **29/489,660**

(22) Filed: **May 1, 2014**

(51) **LOC (10) Cl.** ..... **25-03**

(52) **U.S. Cl.**  
USPC ..... **D5/33**

(58) **Field of Classification Search**

USPC ..... D25/1-33, 35, 36; 52/79.4, 79.8, 81.4,  
52/116, 117; D21/814, 818; D3/269, 270,  
D3/272, 273, 274, 294

CPC ..... E04H 1/12; E04H 1/125; E04H 15/00;  
E04B 1/34357; E04B 1/34363; E04B 1/34373;  
E04B 1/92

See application file for complete search history.

(56) **References Cited**

**U.S. PATENT DOCUMENTS**

D426,382 S *	6/2000	Martineau	.....	D3/272
D493,302 S *	7/2004	Sabo et al.	.....	D6/440
D534,330 S *	12/2006	Hawes	.....	D34/38
D546,023 S *	7/2007	Hawes	.....	D34/38
D647,700 S *	11/2011	Sayag	.....	D3/272
8,186,109 B2 *	5/2012	Warminsky	.....	52/79.1
8,752,339 B1 *	6/2014	Tubbs	.....	52/64
D717,542 S *	11/2014	Vogler et al.	.....	D3/273
2014/0223840 A1 *	8/2014	Wheeler	.....	52/79.9

\* cited by examiner

*Primary Examiner* — Eric Goodman

*Assistant Examiner* — Amy Wierenga

(74) *Attorney, Agent, or Firm* — Muncy, Geissler, Olds & Lowe, P.C.

(57) **CLAIM**

The ornamental design for a transportable container playground, as shown and described.

**DESCRIPTION**

FIG. 1 is a front right perspective of the transportable container playground in a closed and ready for transport state.

FIG. 2 is a front left perspective of the transportable container playground in a closed and ready for transport state.

FIG. 3 is a front right perspective of the transportable container playground illustrating a conversion process from a transport state to a playground state.

FIG. 4 is a rear left perspective of the transportable container playground illustrating a conversion process from a transport state to a playground state.

FIG. 5 is a front left perspective of the transportable container playground.

FIG. 6 is front right perspective of the transportable container playground.

FIG. 7 is right side view of the transportable container playground.

FIG. 8 is rear view of the transportable container playground.

FIG. 9 is left side view of the transportable container playground.

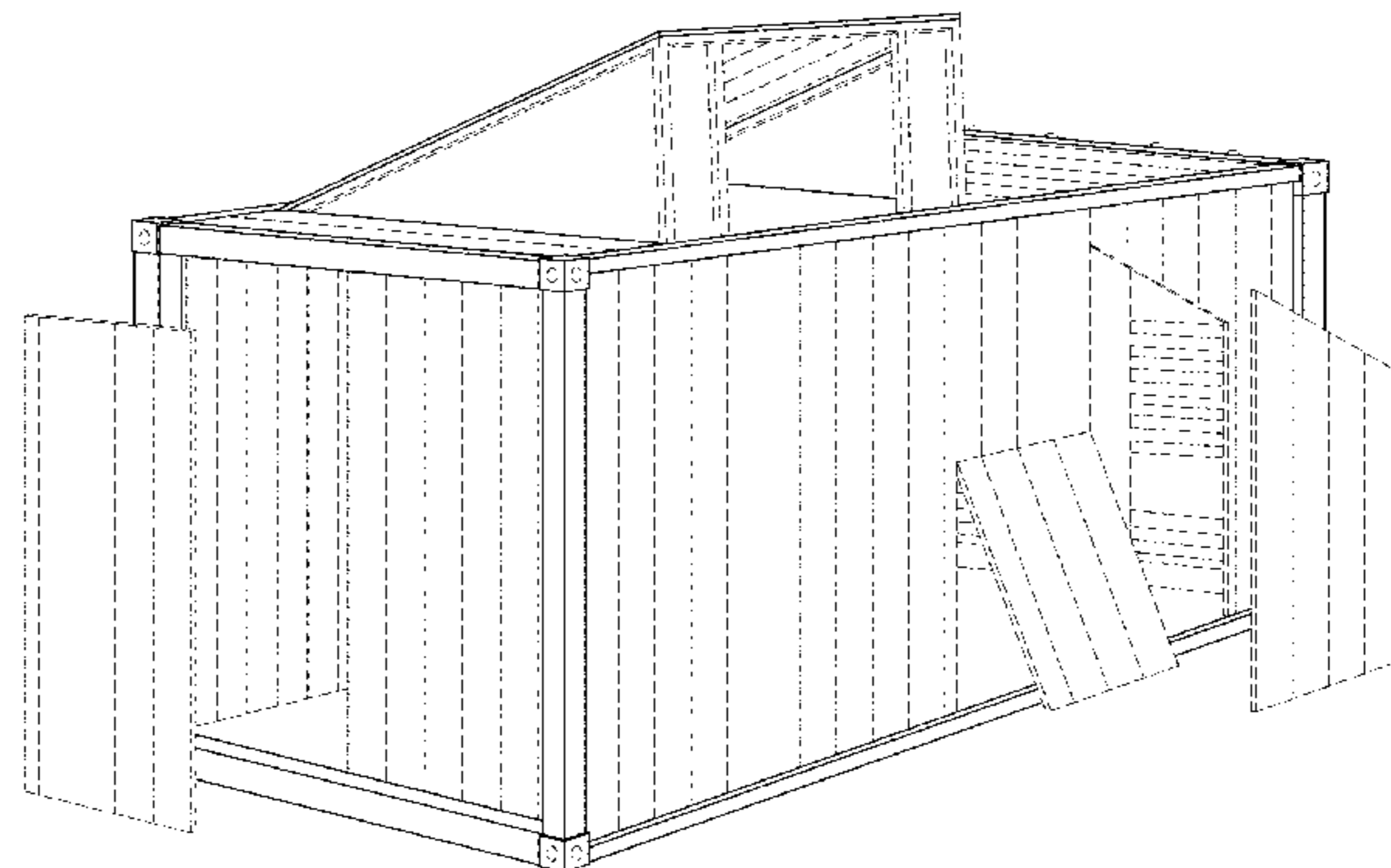
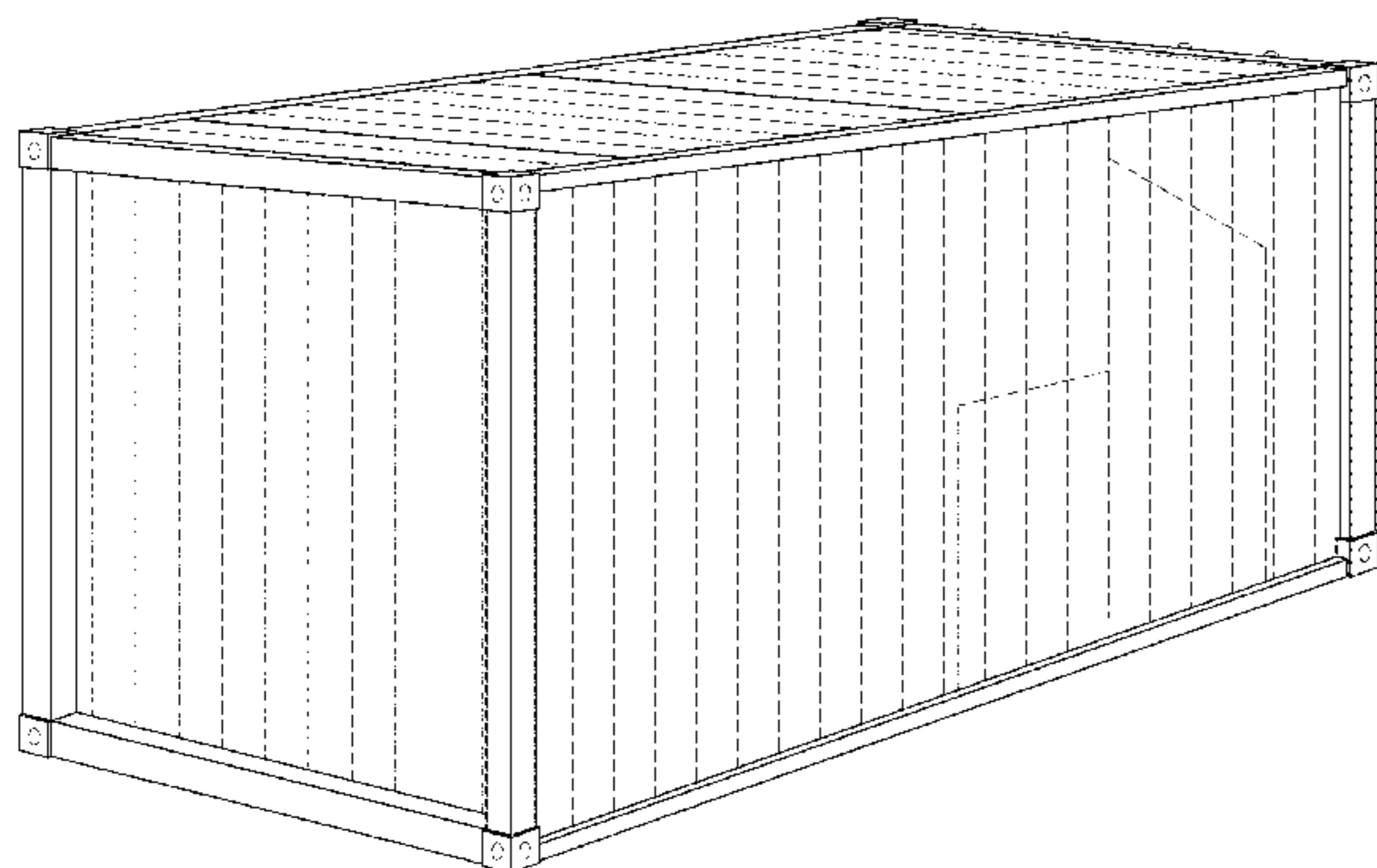
FIG. 10 is front view of the transportable container playground; and,

FIG. 11 is top view of the transportable container playground.

The bottom of the transportable container playground is unornamented.

The broken lines in the drawing depict portions of the article only and form no part of the claimed design.

**1 Claim, 11 Drawing Sheets**



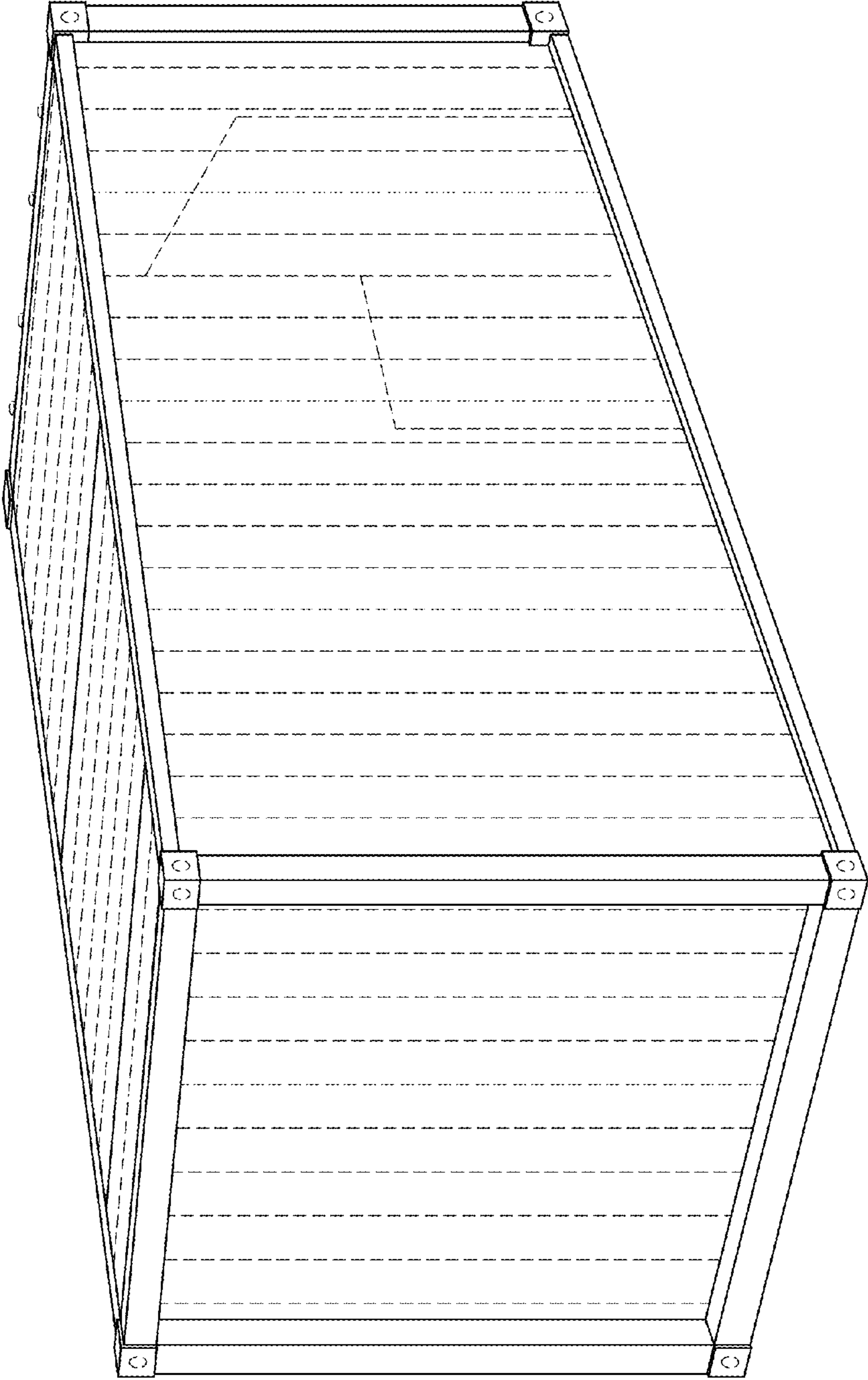


FIG. 1

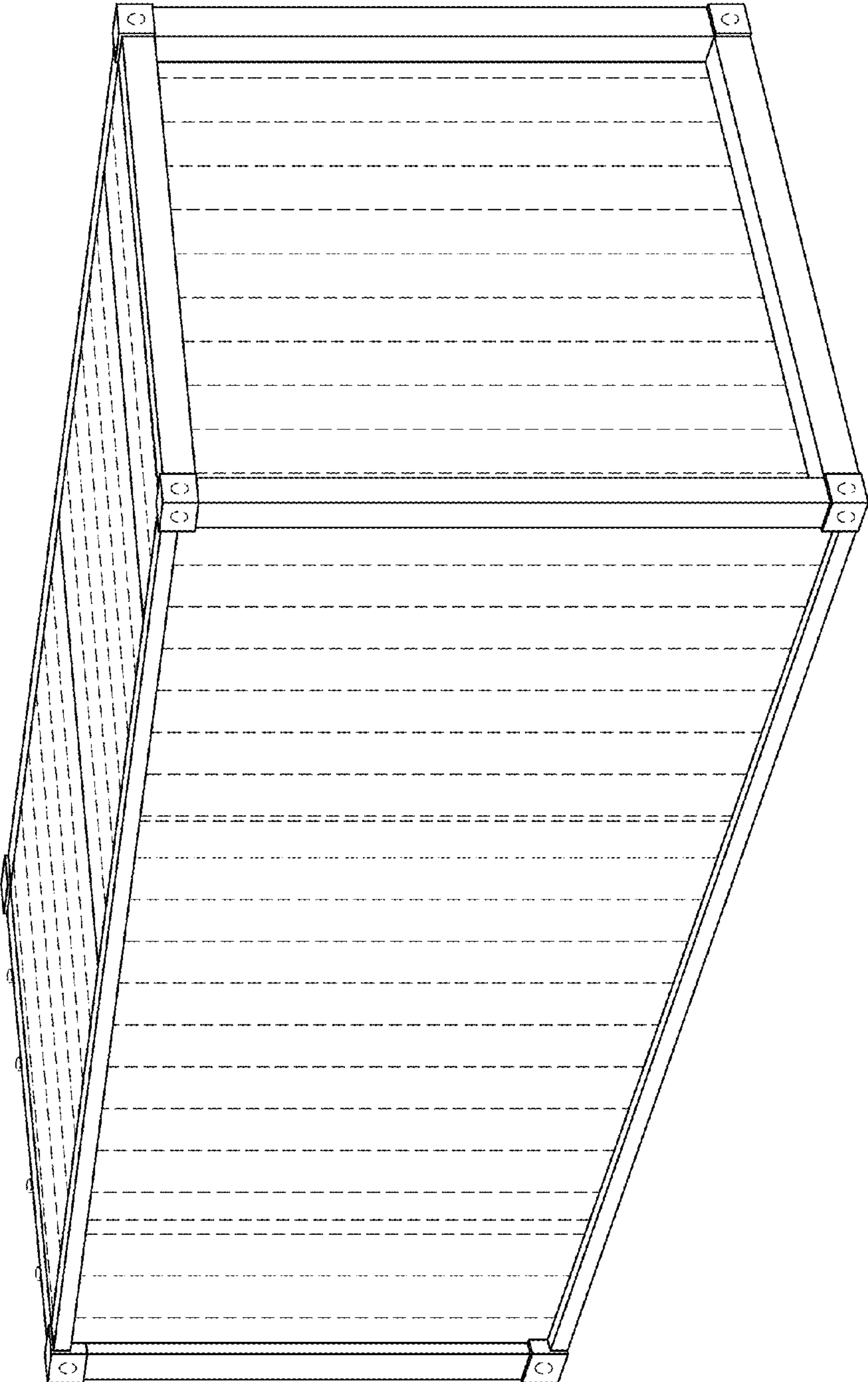


FIG.2

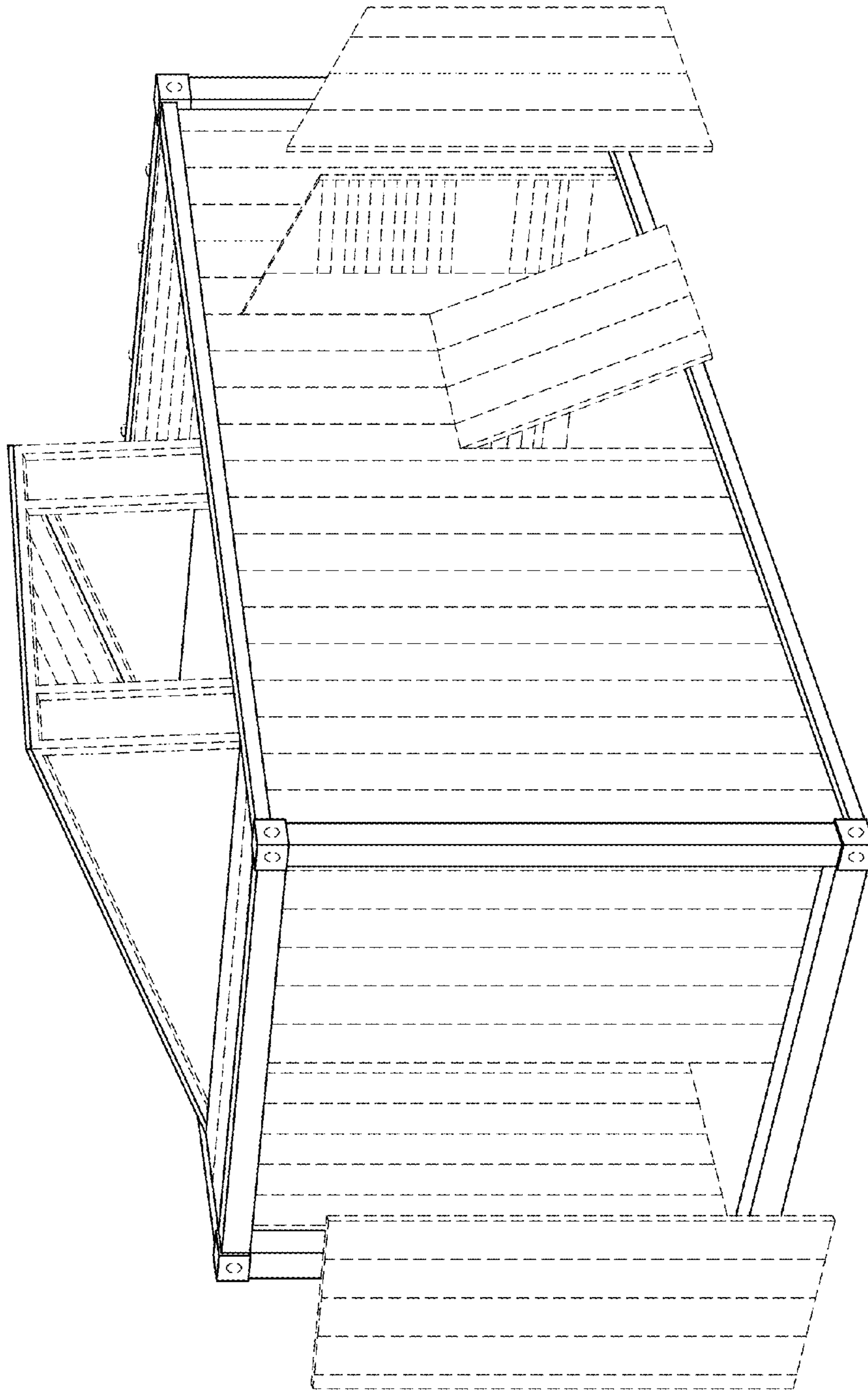


FIG.3

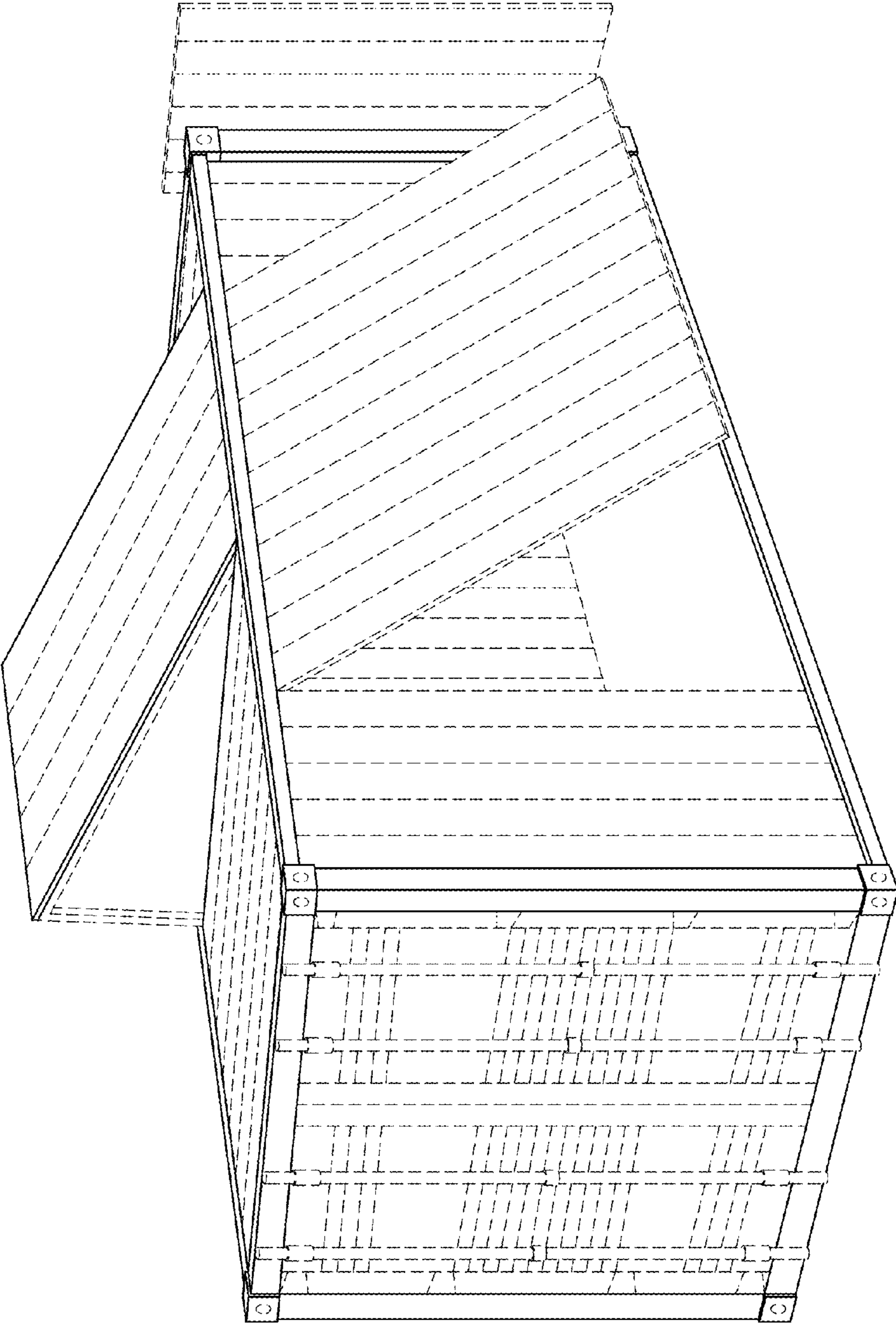


FIG.4

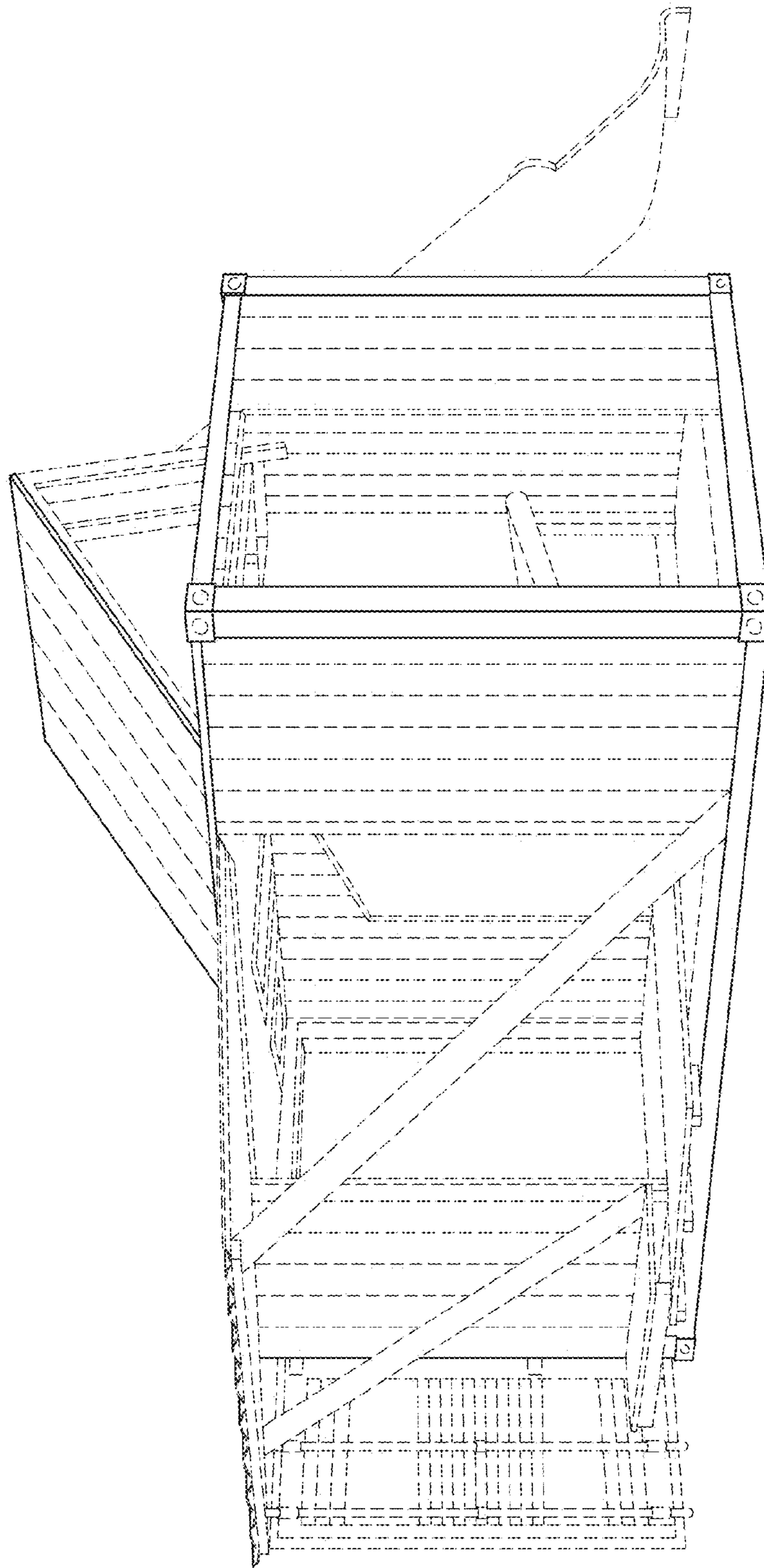


FIG. 5

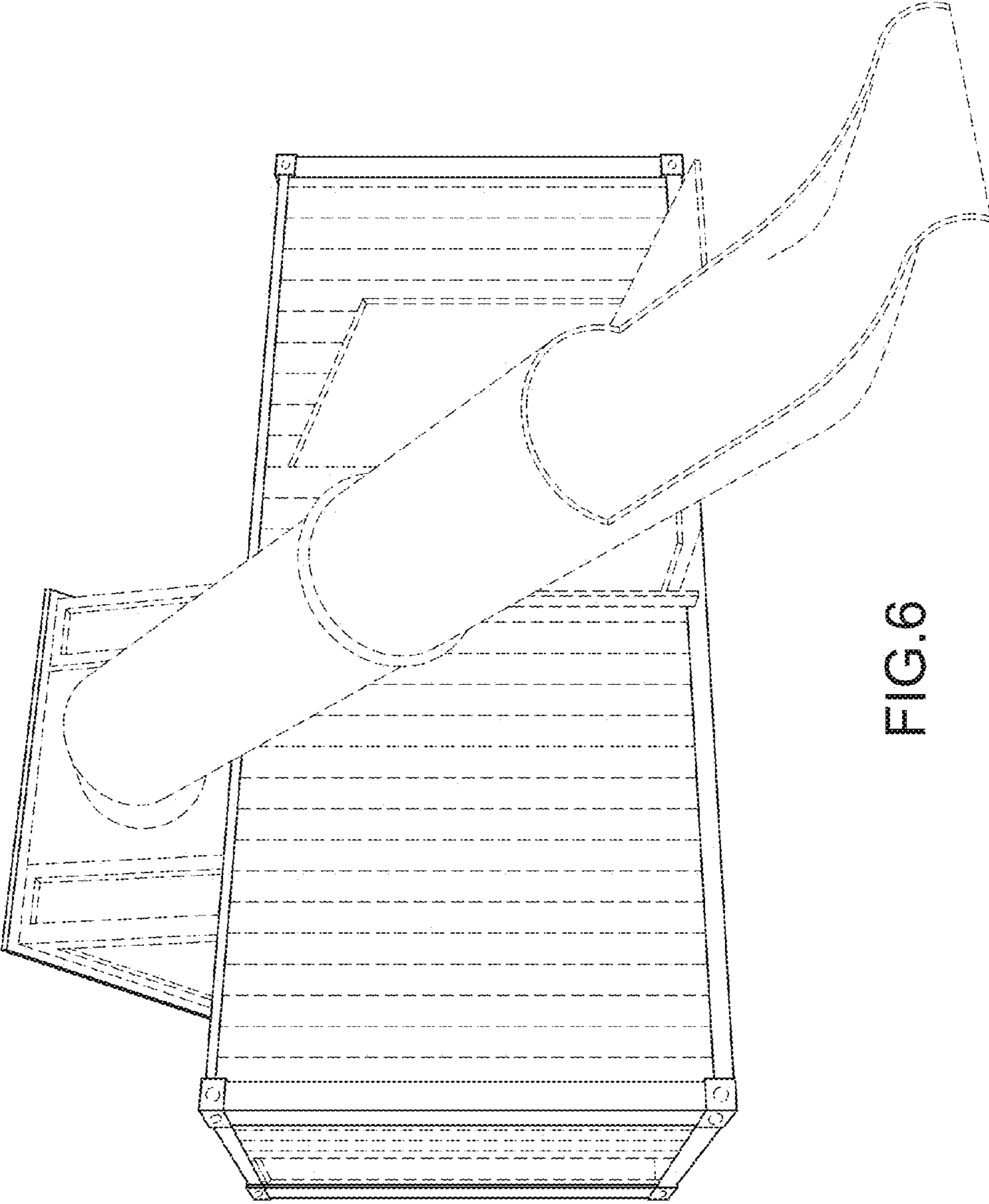


FIG.6

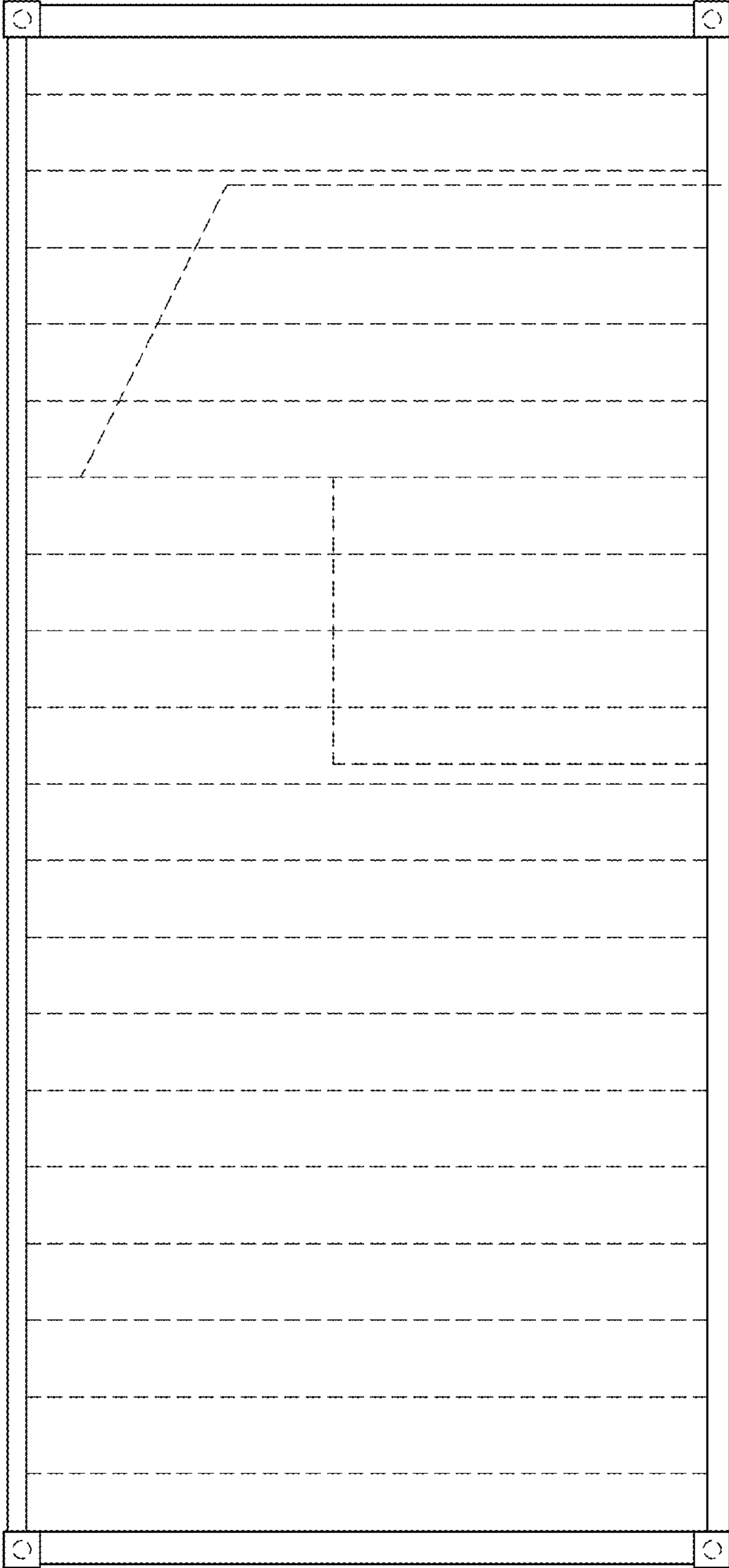


FIG.7



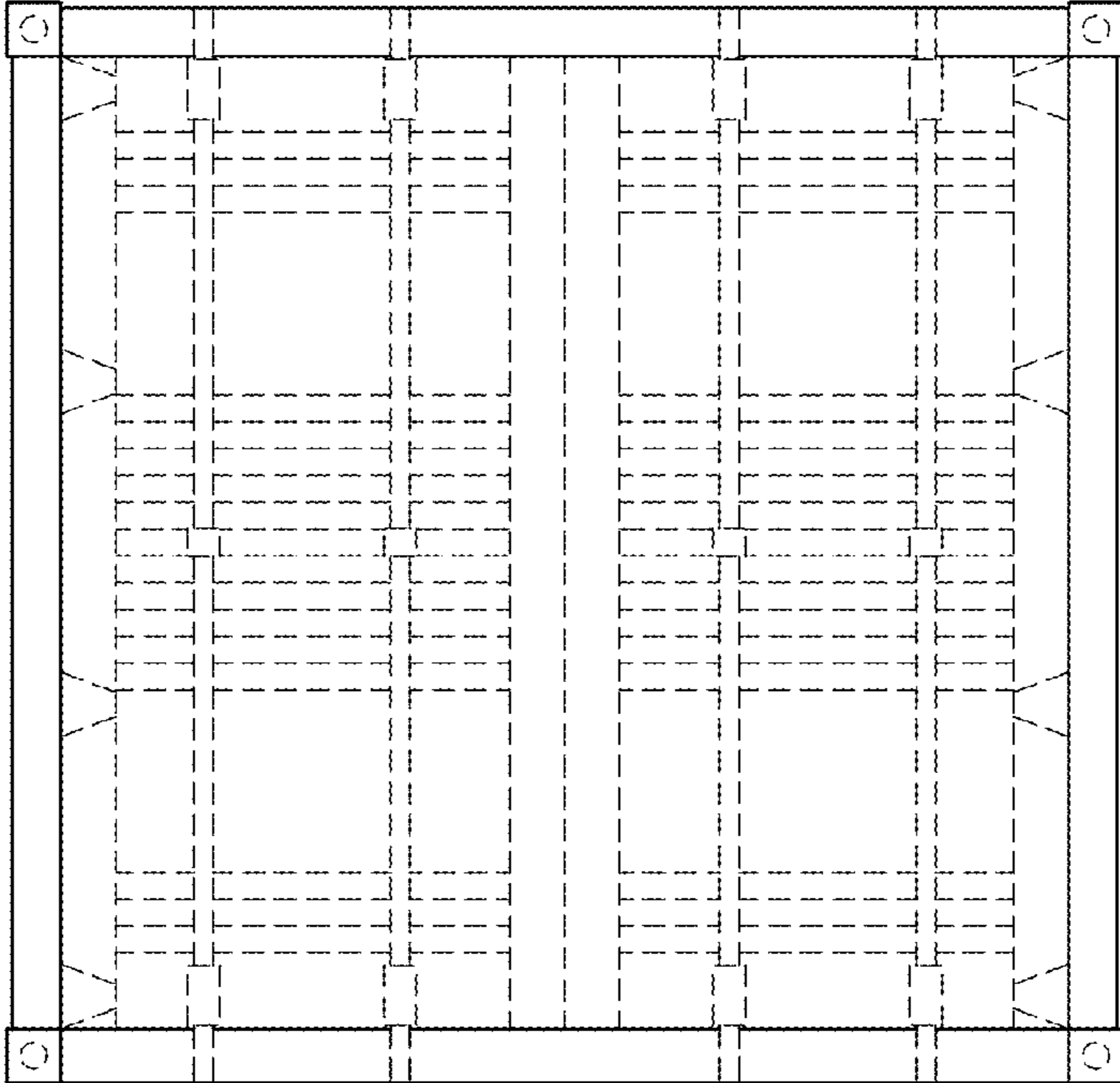


FIG.8

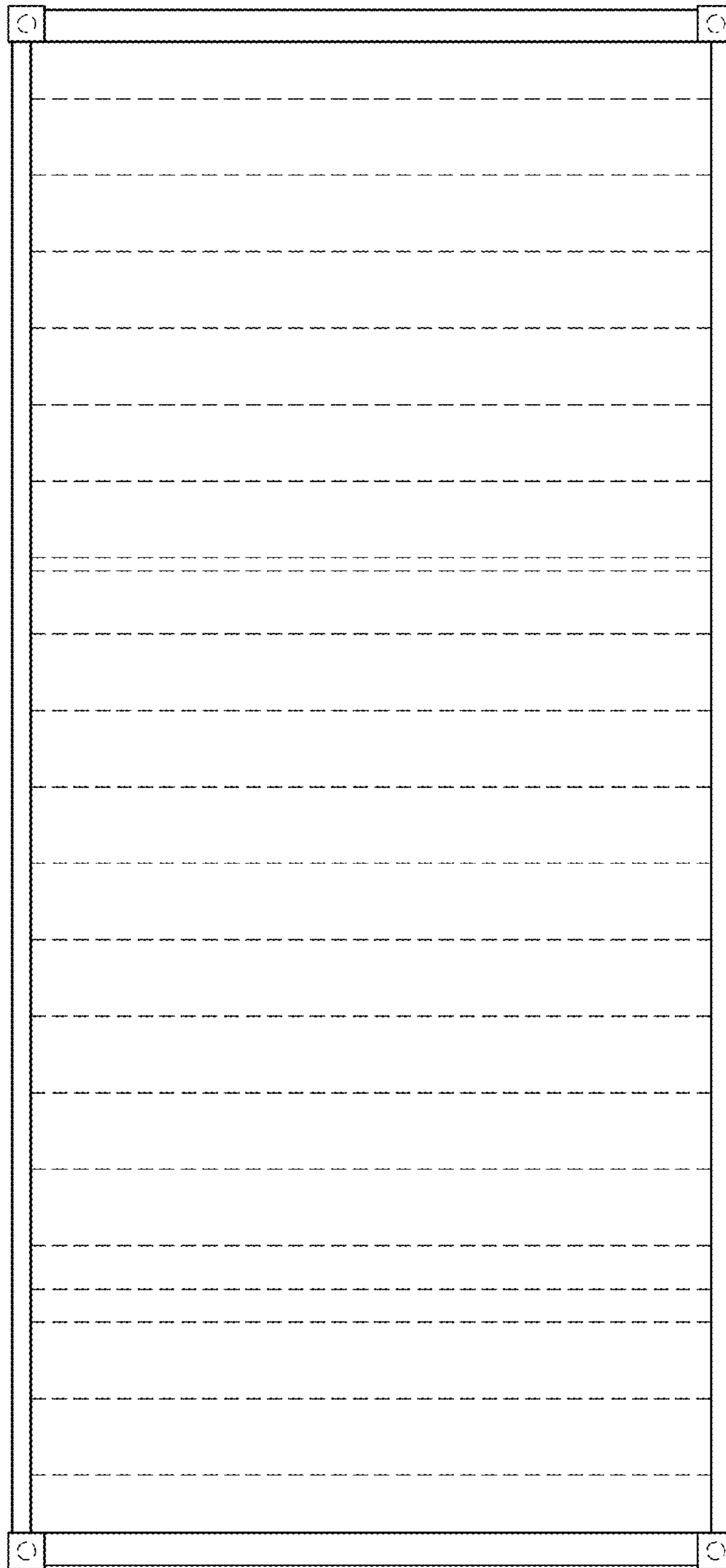


FIG. 9

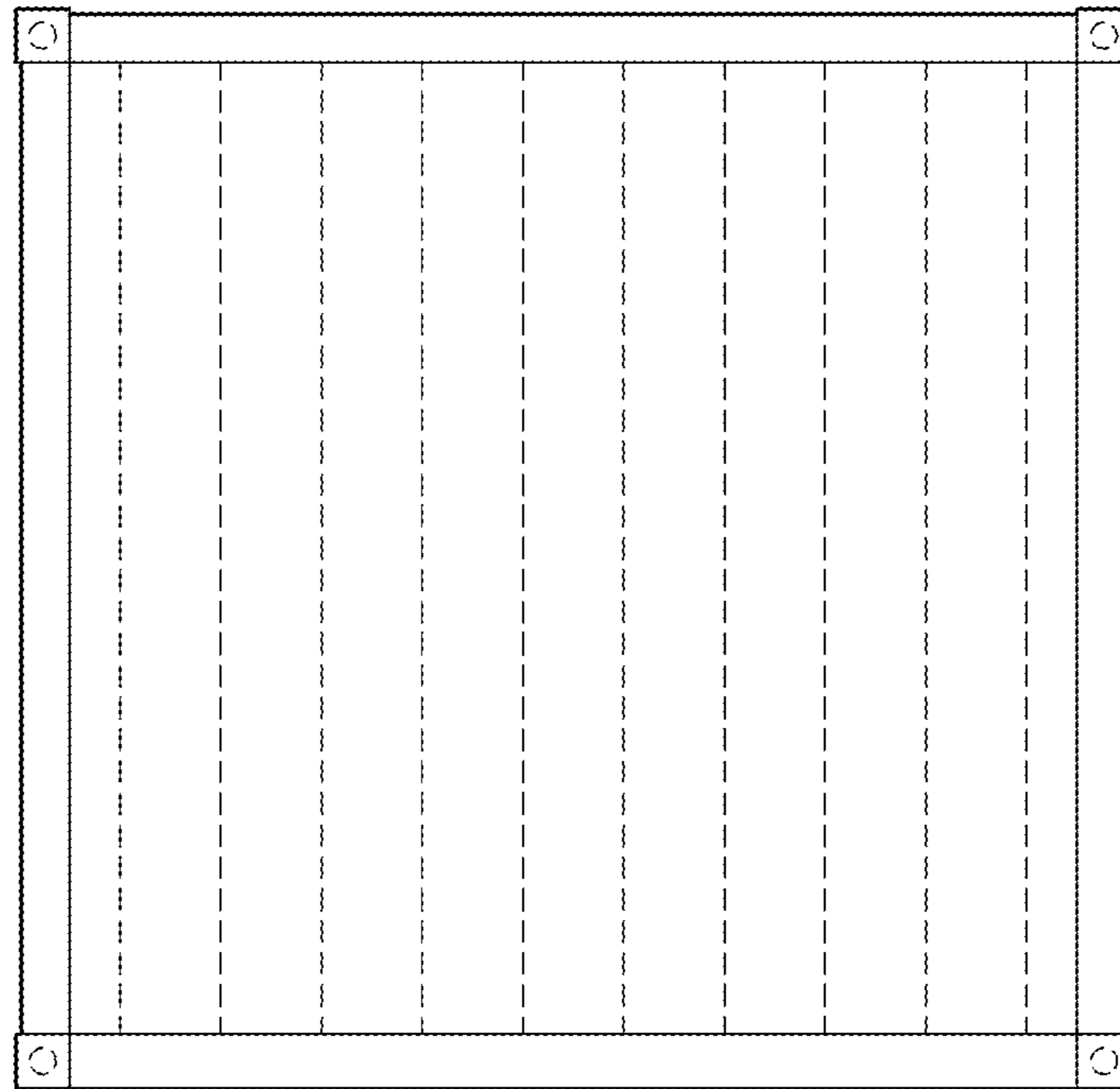


FIG.10

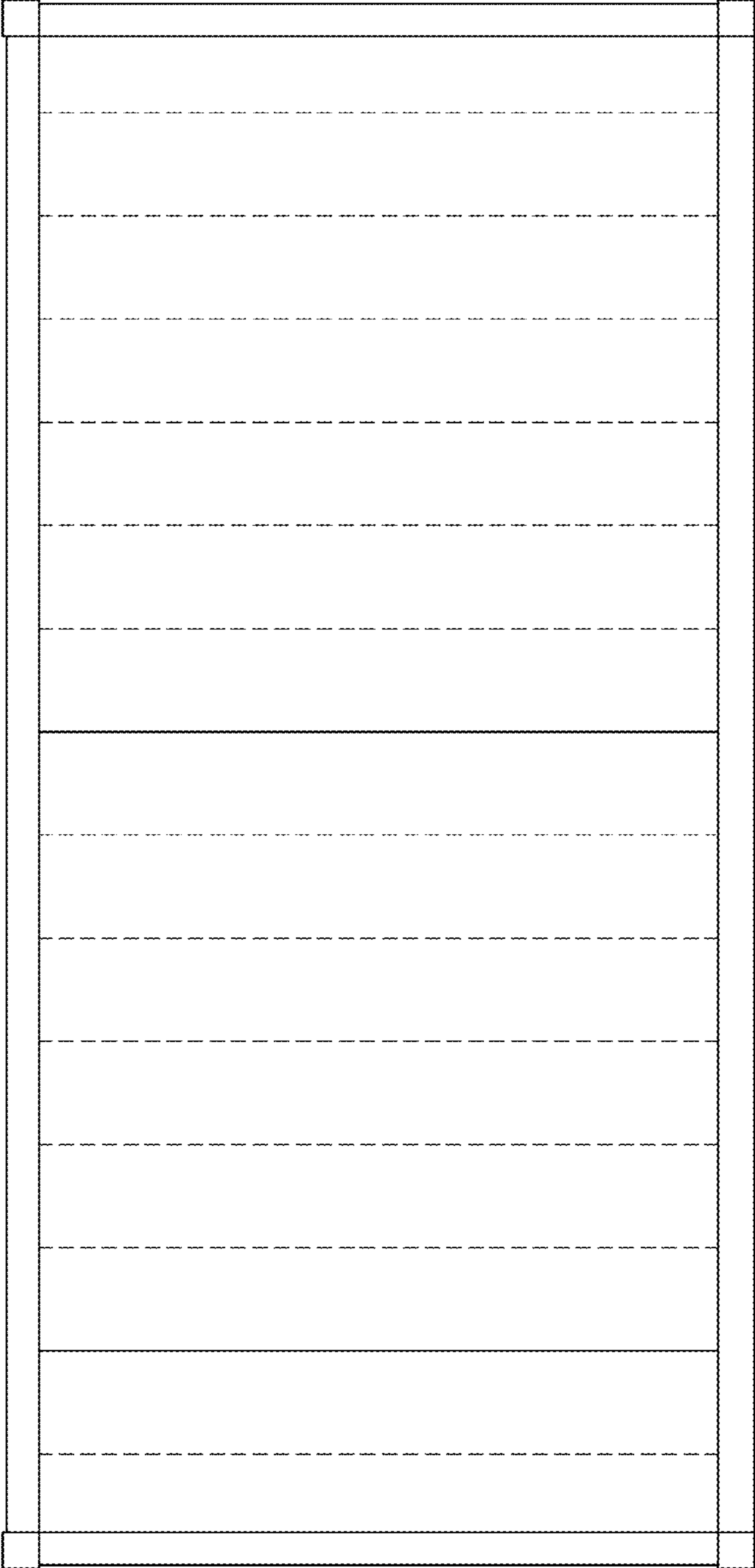


FIG.11