



US00D749326S

(12) **United States Design Patent**
Rennette

(10) **Patent No.:** **US D749,326 S**

(45) **Date of Patent:** **** Feb. 16, 2016**

(54) **FOLDABLE BRUSH**

(71) Applicant: **Jean Rennette**, Walnut Creek, CA (US)

(72) Inventor: **Jean Rennette**, Walnut Creek, CA (US)

(**) Term: **15 Years**

(21) Appl. No.: **29/537,294**

(22) Filed: **Aug. 24, 2015**

(51) **LOC (10) Cl.** **04-01**

(52) **U.S. Cl.**

USPC **D4/121; D4/136**

(58) **Field of Classification Search**

USPC D4/121, 133, 134, 136, 138; 15/144.1,
15/144.2, 159.1, 160, 185-188, 201, 203;
D28/20, 23, 28, 30; D30/158, 159;
119/600, 612, 615, 625, 632

CPC A46B 1/00; A46B 3/00; A46B 3/005;
A46B 3/04; A46B 5/002; A46B 5/0033;
A46B 5/0041; A46B 5/0045; A46B 5/0054;
A46B 5/0058; A46B 5/0075; A46B 5/0079;
A46B 5/0083; A46B 7/02; A46B 7/023;
A46B 7/026; A46B 9/00; A46B 9/005;
A46B 9/02; A46B 9/023; A46B 9/026;
A46B 9/028; A46B 2200/10; A46B 2200/102;
A46B 2200/104; A46B 2200/1093; A45D
24/04; A45D 24/06; A45D 24/10; A45D
24/16; A45D 24/18

See application file for complete search history.

(56) **References Cited**

U.S. PATENT DOCUMENTS

825,910 A * 7/1906 Kleinsorgen A46B 7/06
15/201
930,678 A * 8/1909 Moore A45D 24/02
132/126

(Continued)

FOREIGN PATENT DOCUMENTS

FR 2904518 A1 * 2/2008
KR 2020090006888 U * 7/2009

(Continued)

OTHER PUBLICATIONS

Olivia Garden, Fingerbrush, Internet Web Site, available at <http://www.oliviagarden.com/brushes/fb.php> (last visited Aug. 24, 2015).

Primary Examiner — Melanie H Tung

Assistant Examiner — Lavone D Tabor

(74) *Attorney, Agent, or Firm* — Volk & McElroy, LLP;
Michael D. Volk, Jr.

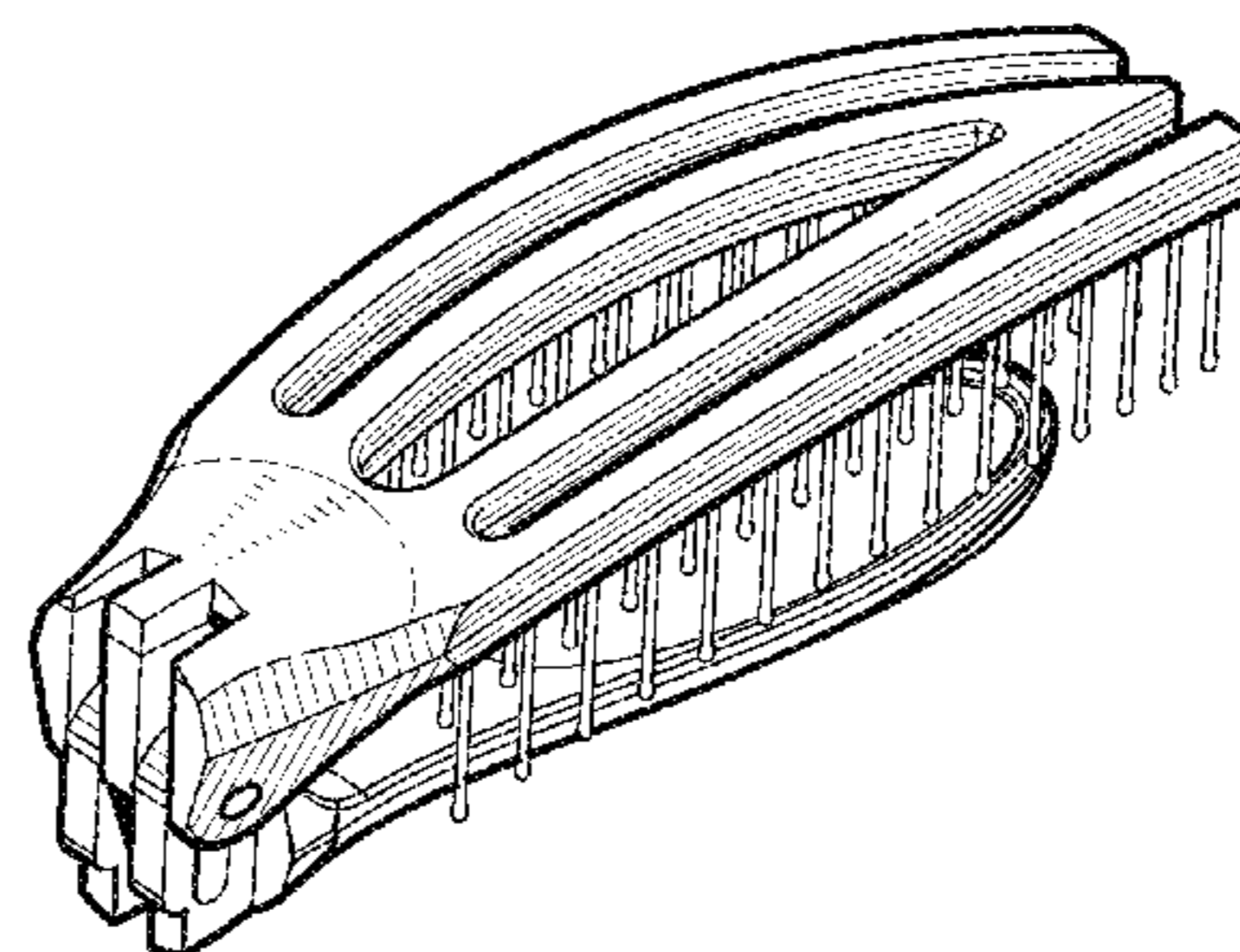
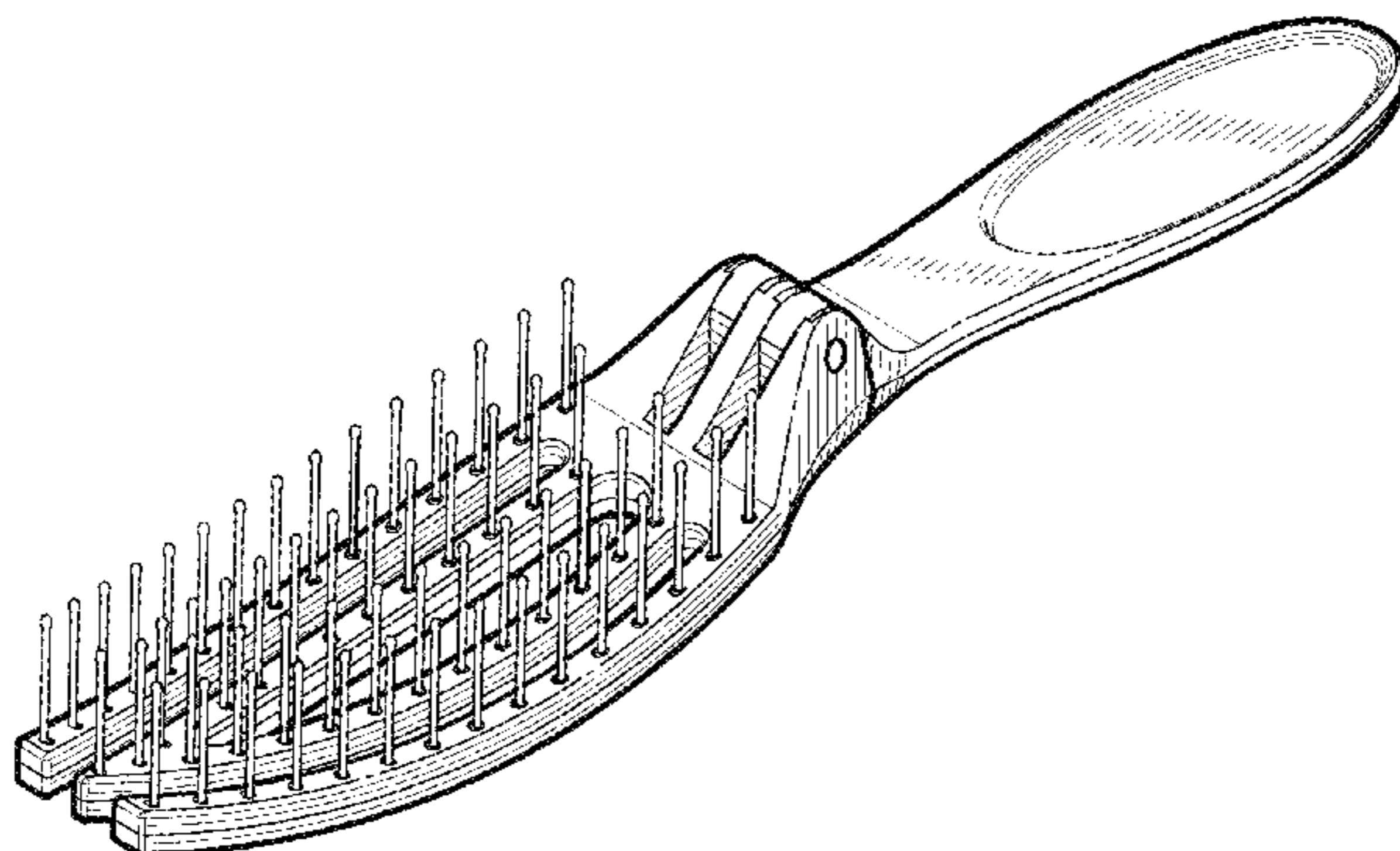
(57) **CLAIM**

The ornamental design for a foldable brush, as shown and described.

DESCRIPTION

FIG. 1 is a bottom perspective view of a foldable brush showing my new design;
FIG. 2 is a top perspective view thereof;
FIG. 3 is a bottom view thereof;
FIG. 4 is a top view thereof;
FIG. 5 is a side view thereof, the opposing side being a mirror image;
FIG. 6 is a rear end view thereof;
FIG. 7 is a front end view thereof;
FIG. 8 is a perspective view of my new design shown in an alternate configuration;
FIG. 9 is another perspective view of my new design shown in an alternate configuration;
FIG. 10 is yet another perspective view of my new design shown in an alternate configuration;
FIG. 11 is a side view of my new design shown in an alternate configuration, the opposing side being a mirror image;
FIG. 12 is a top view of my new design shown in an alternate configuration;
FIG. 13 a bottom view of my new design shown in an alternate configuration;
FIG. 14 is a front end view of my new design shown in an alternate configuration; and,
FIG. 15 is a rear end view of my new design shown in an alternate configuration.
FIGS. 6, 7, 14, and 15 are shown enlarged for clarity.

1 Claim, 6 Drawing Sheets



(56)

References Cited

U.S. PATENT DOCUMENTS

1,110,406 A * 9/1914 Schreck A46B 7/06
15/201
1,172,544 A * 2/1916 Metzner A45D 24/34
132/120
D182,580 S 4/1958 Fredrickson
D199,730 S 12/1964 Wettberg
3,648,321 A * 3/1972 Vallis A45D 24/06
132/122
D260,949 S * 9/1981 Megna D4/136
D264,275 S * 5/1982 Megna D4/136
5,185,902 A * 2/1993 Fong A46B 7/026
132/122

D345,057 S 3/1994 Hopkins et al.
D375,816 S 11/1996 Long-Langworthy
6,196,235 B1 * 3/2001 Kim A46B 5/0033
132/148
D470,306 S 2/2003 Halpern et al.
D471,364 S 3/2003 Kwong
D711,042 S 8/2014 Kaizuka
8,857,005 B2 * 10/2014 Shim et al. A46B 15/00
132/119

FOREIGN PATENT DOCUMENTS

KR 300718201 S * 11/2013
WO WO 8001135 A1 * 6/1980 A46B 5/02

* cited by examiner

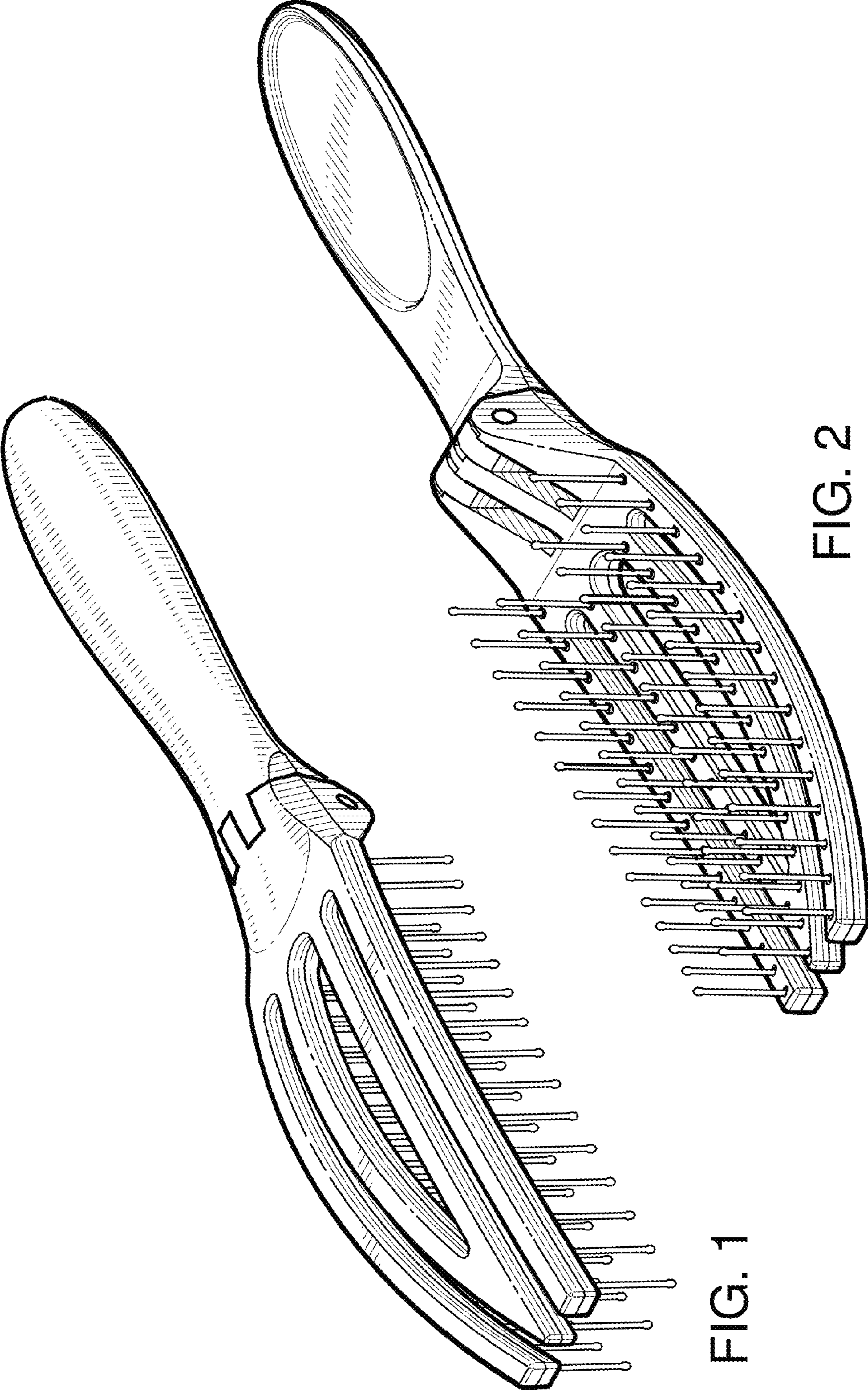


FIG. 1

FIG. 2

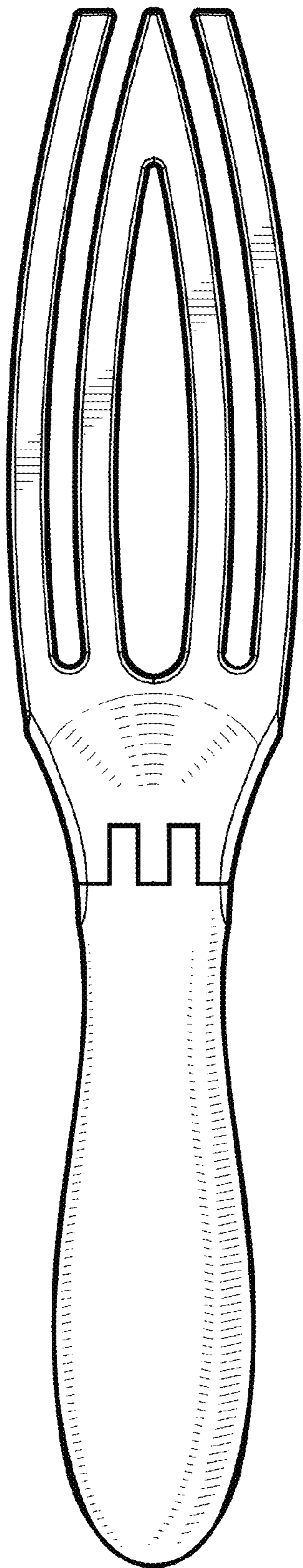


FIG. 3

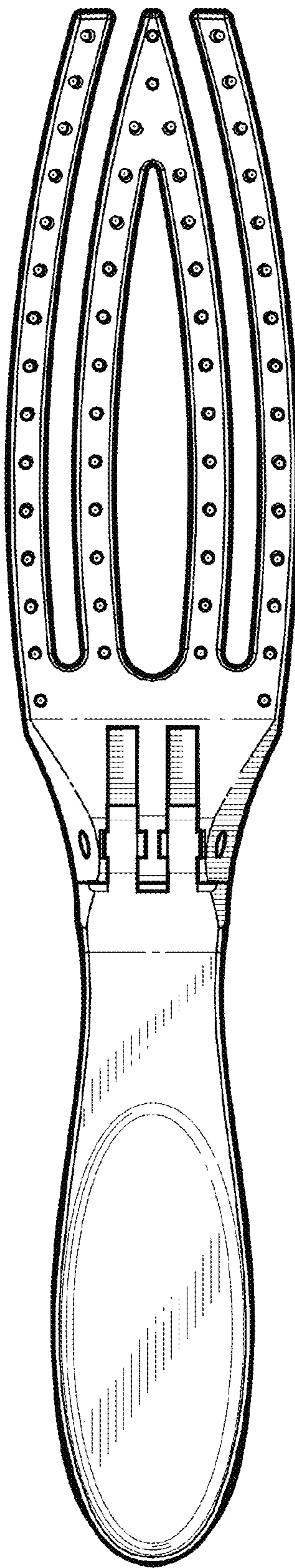


FIG. 4

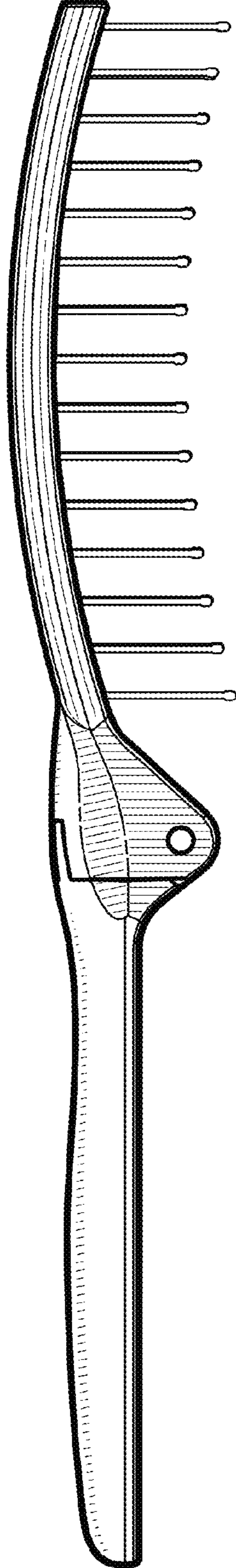


FIG. 5

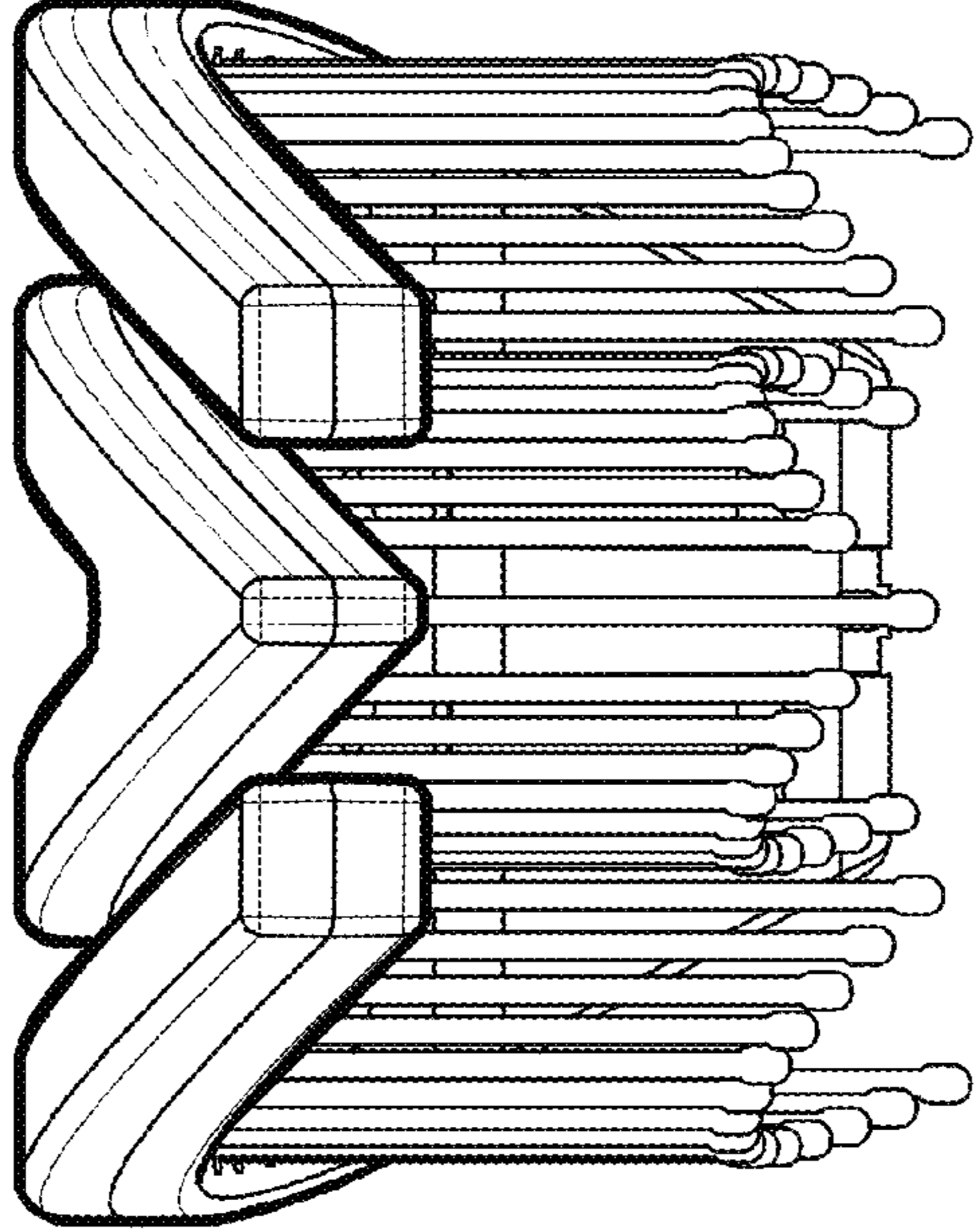


FIG. 7

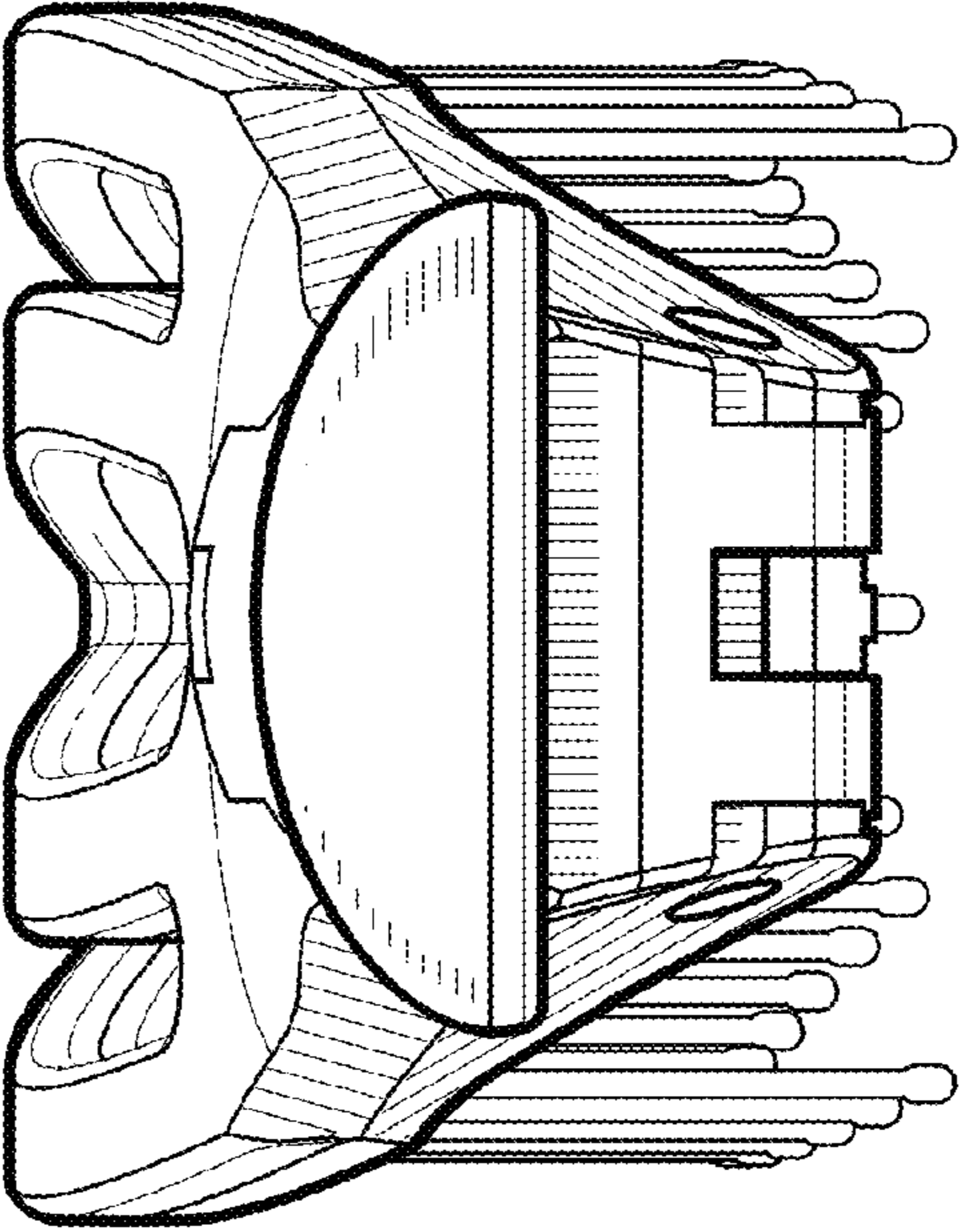


FIG. 6

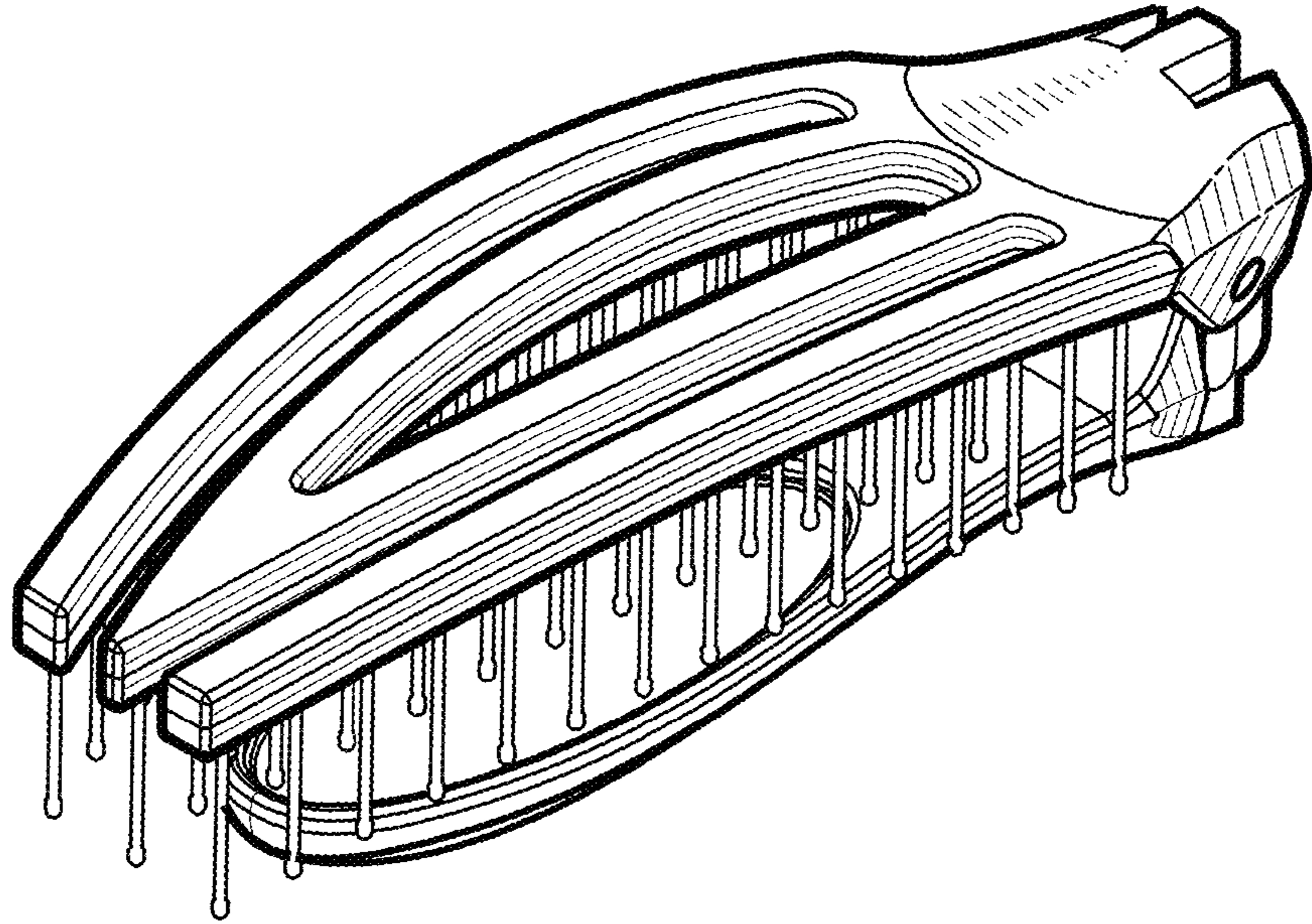


FIG. 8

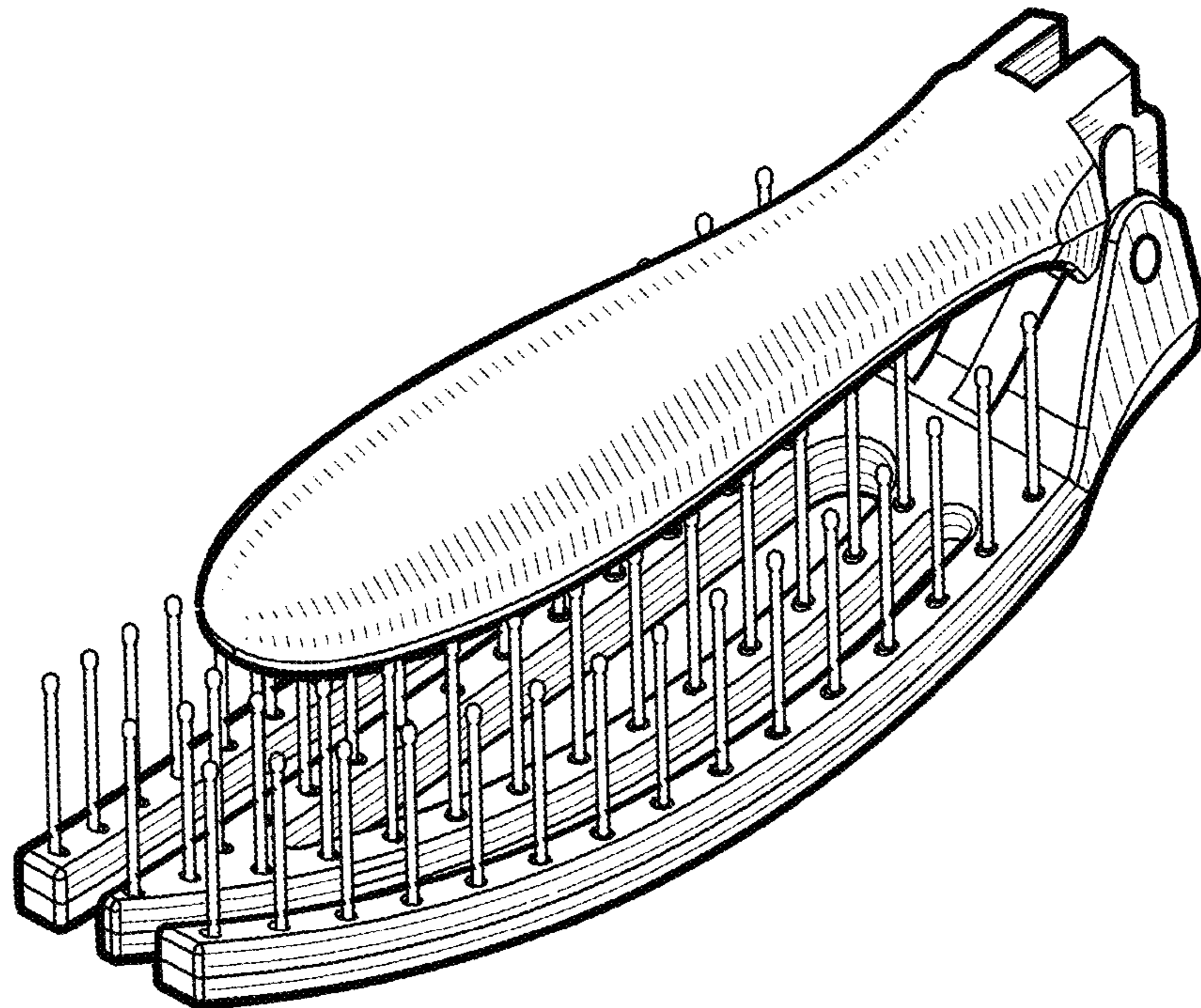


FIG. 9

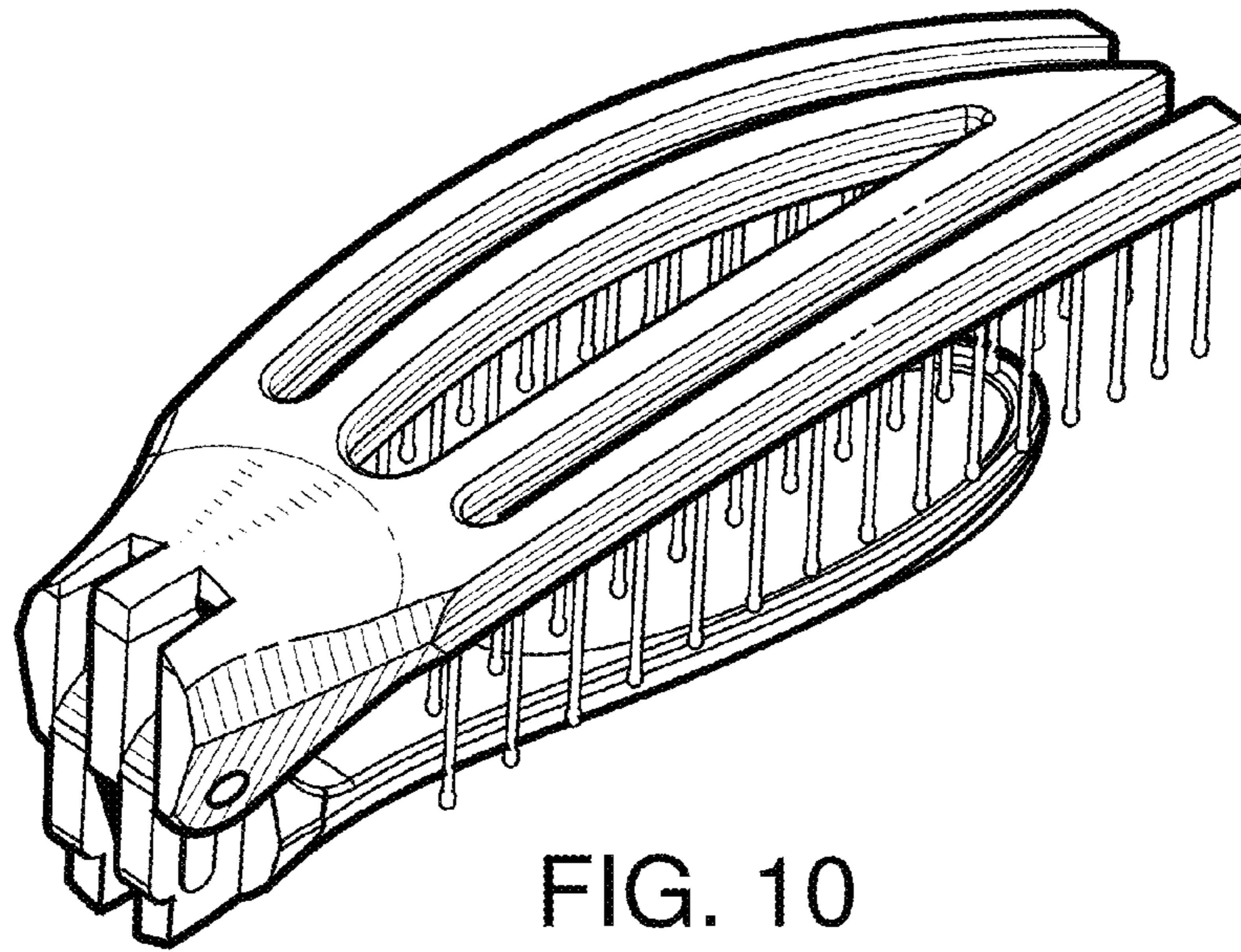


FIG. 10

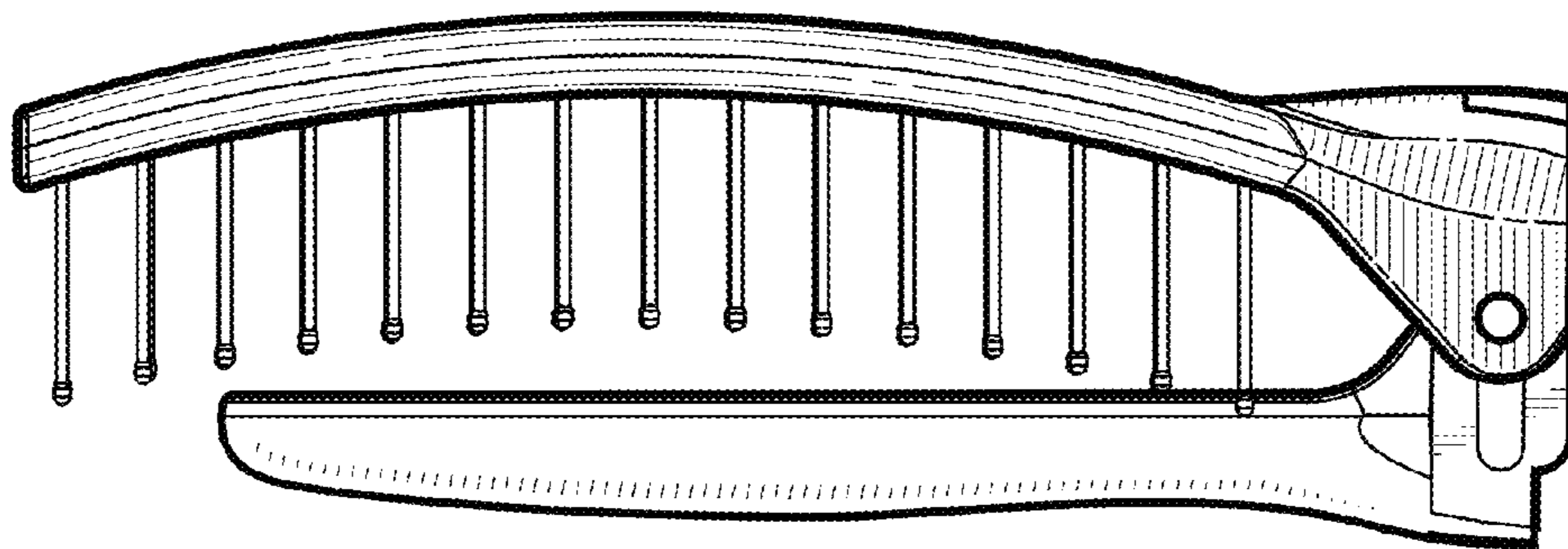


FIG. 11

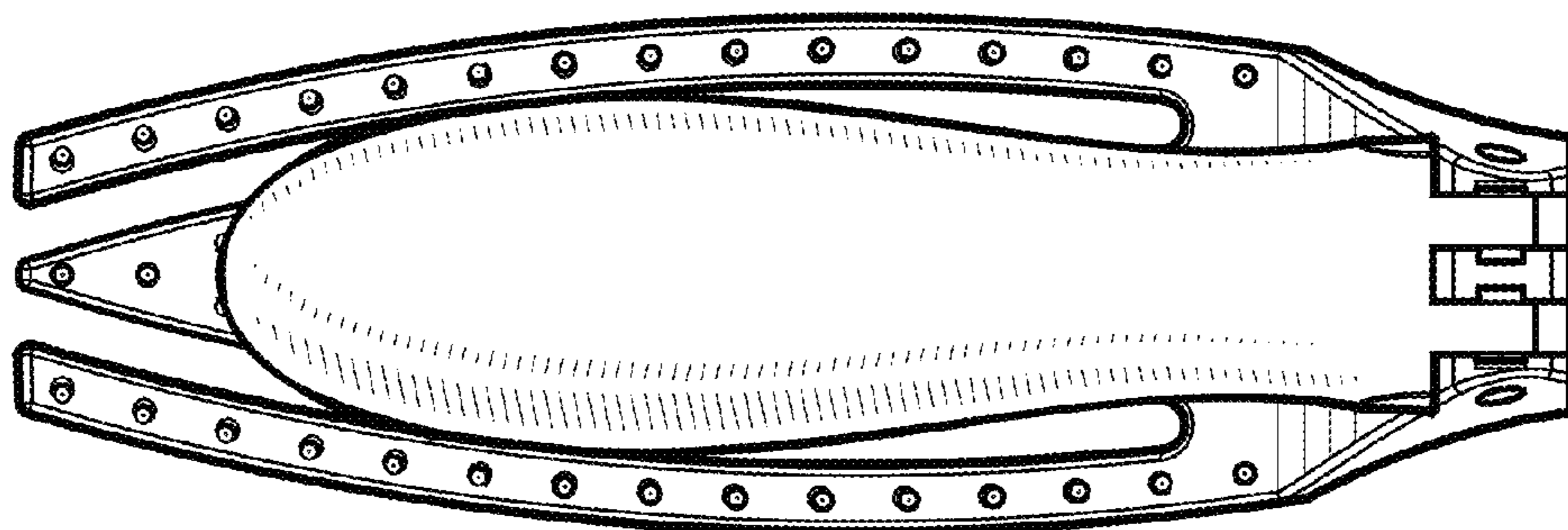


FIG. 12

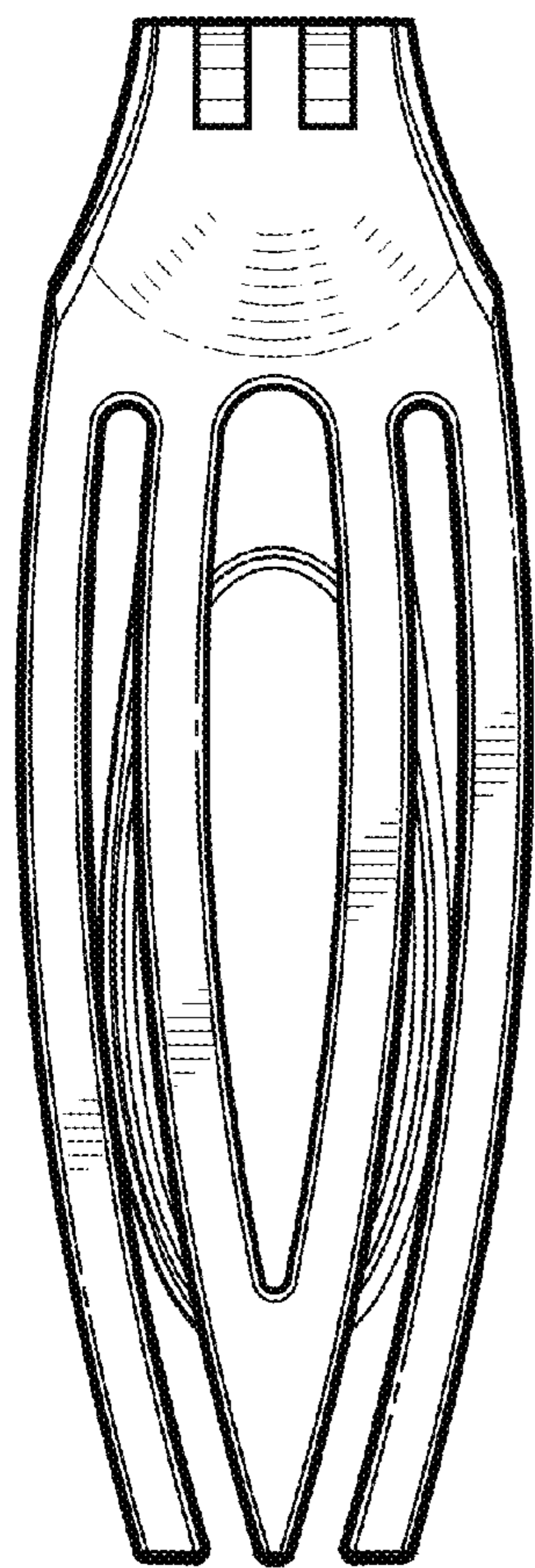


FIG. 13

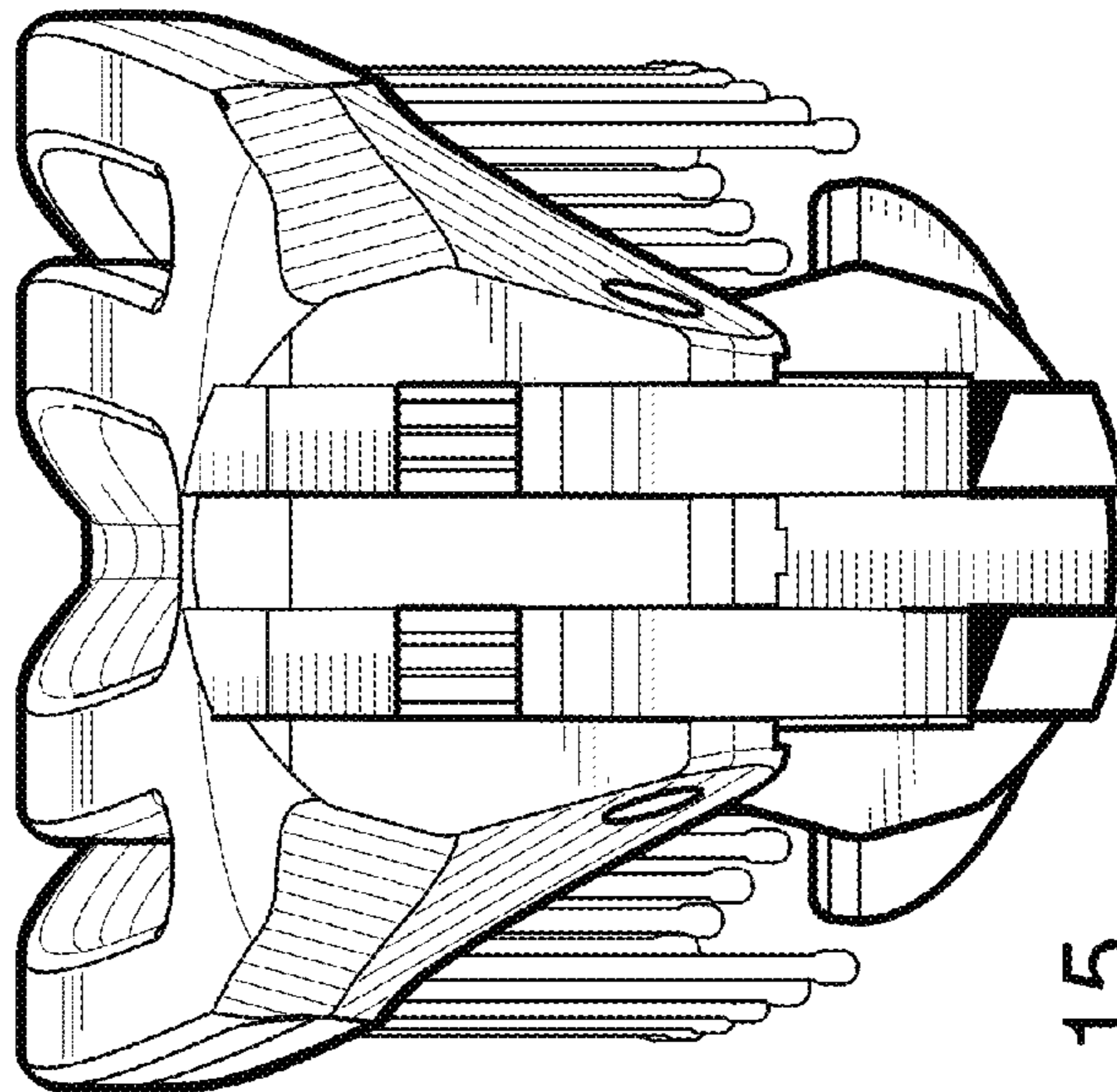


FIG. 15

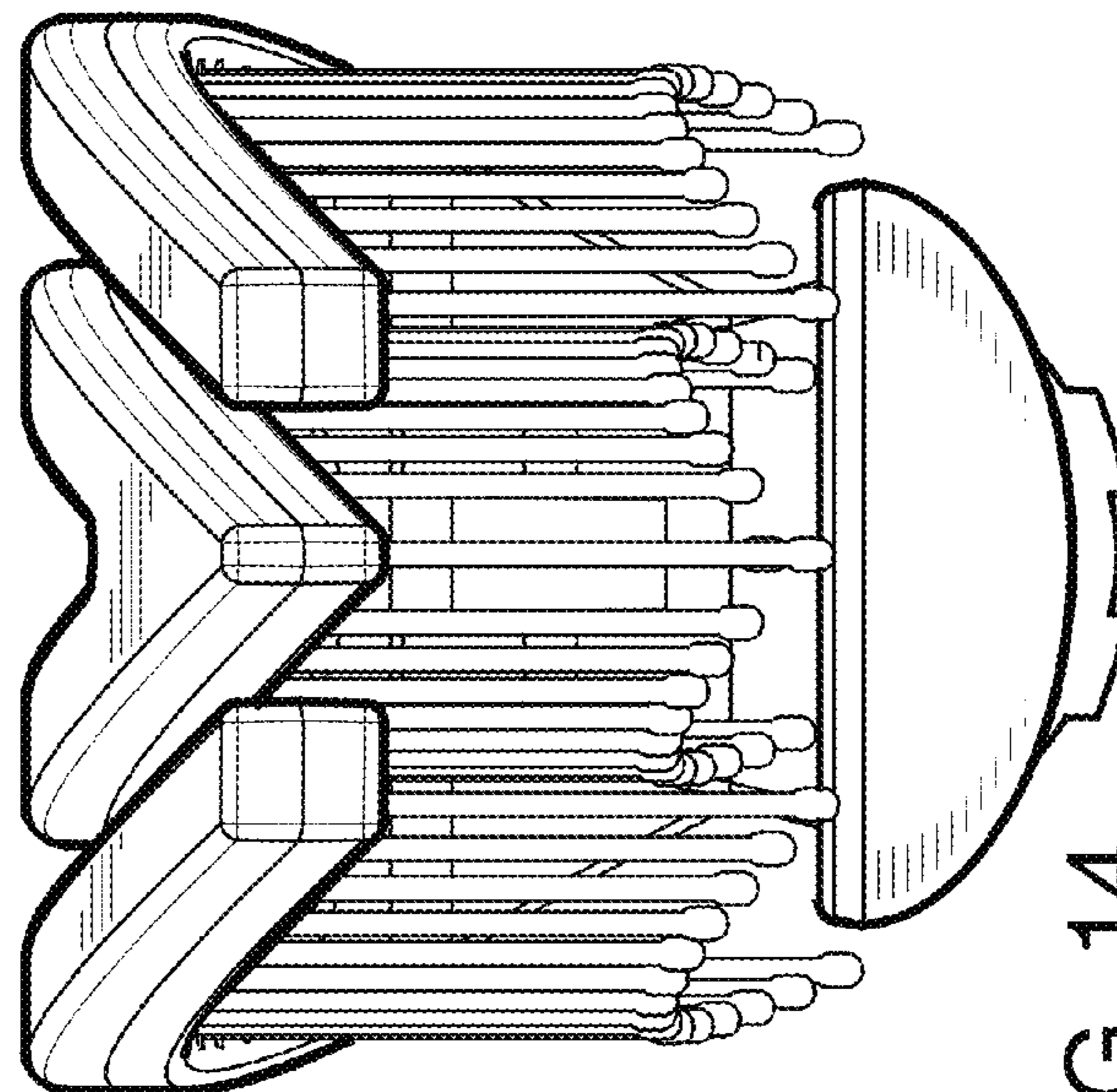


FIG. 14