



US00D749325S

(12) **United States Design Patent**
Middendorp

(10) **Patent No.:** **US D749,325 S**
(45) **Date of Patent:** **** Feb. 16, 2016**

(54) **SONIC SCRUBBER**

(71) Applicant: **Invention Works B.V.**, Barendrecht (NL)

(72) Inventor: **Oscar Middendorp**, Barendrecht (NL)

(**) Term: **14 Years**

(21) Appl. No.: **29/454,163**

(22) Filed: **May 7, 2013**

(30) **Foreign Application Priority Data**

Nov. 8, 2012 (EM) 002133009

(51) **LOC (10) Cl.** **04-02**

(52) **U.S. Cl.**
USPC **D4/102; D4/127**

(58) **Field of Classification Search**
USPC D4/100, 102, 127, 132, 134, 136, 138;
D24/146, 200, 215, 214; D28/58, 63;
15/21.1, 22.1, 28, 29, 176.1, 176.4,
15/180, 207.2; 601/109, 112, 114

CPC A46B 3/00; A46B 3/005; A46B 3/22;
A46B 5/0095; A46B 7/00; A46B 7/04;
A46B 7/042; A46B 7/06; A46B 7/08; A46B
9/00; A46B 9/005; A46B 9/02; A46B 13/00;
A46B 13/008; A46B 13/02; A46B 13/023;
A46B 13/026; A46B 13/04; A46B 13/08;
A46B 15/0002; A46B 15/0004; A46B
15/0006; A46B 15/0008; A46B 15/0022;
A47K 7/00; A47K 7/02; A47K 7/04; A47K
7/043; A47L 23/06; A61H 7/00; A61H 7/003;
A61H 7/004; A61H 7/005; A61H 2205/022

See application file for complete search history.

(56) **References Cited**

U.S. PATENT DOCUMENTS

D245,883	S	*	9/1977	Tsuji et al.	D4/102
D377,394	S	*	1/1997	Tillman et al.	D24/215
D549,964	S	*	9/2007	Roth et al.	D4/102
7,306,569	B2	*	12/2007	LaJoie et al.	601/70
D601,803	S	*	10/2009	Reishus et al.	D4/102
D646,487	S	*	10/2011	Leppla et al.	D4/102
D683,139	S	*	5/2013	Chikos et al.	D4/102

OTHER PUBLICATIONS

GB 2001784 Registered Design (Heroka Industries Ltd.) Mar. 27, 1990, [online], [retrieved on Apr. 20, 2015] Retrieved from the Design Database of the Intellectual Property Office of the United Kingdom using the Internet: <URL: <http://www.ipo.gov.uk>>.*

* cited by examiner

Primary Examiner — Melanie H Tung

Assistant Examiner — Lavone D Tabor

(74) *Attorney, Agent, or Firm* — The Webb Law Firm

(57) **CLAIM**

The ornamental design for a sonic scrubber, as shown and described.

DESCRIPTION

FIG. 1 is a front view of a sonic scrubber showing my new design;

FIG. 2 is a left side view thereof;

FIG. 3 is a top view thereof;

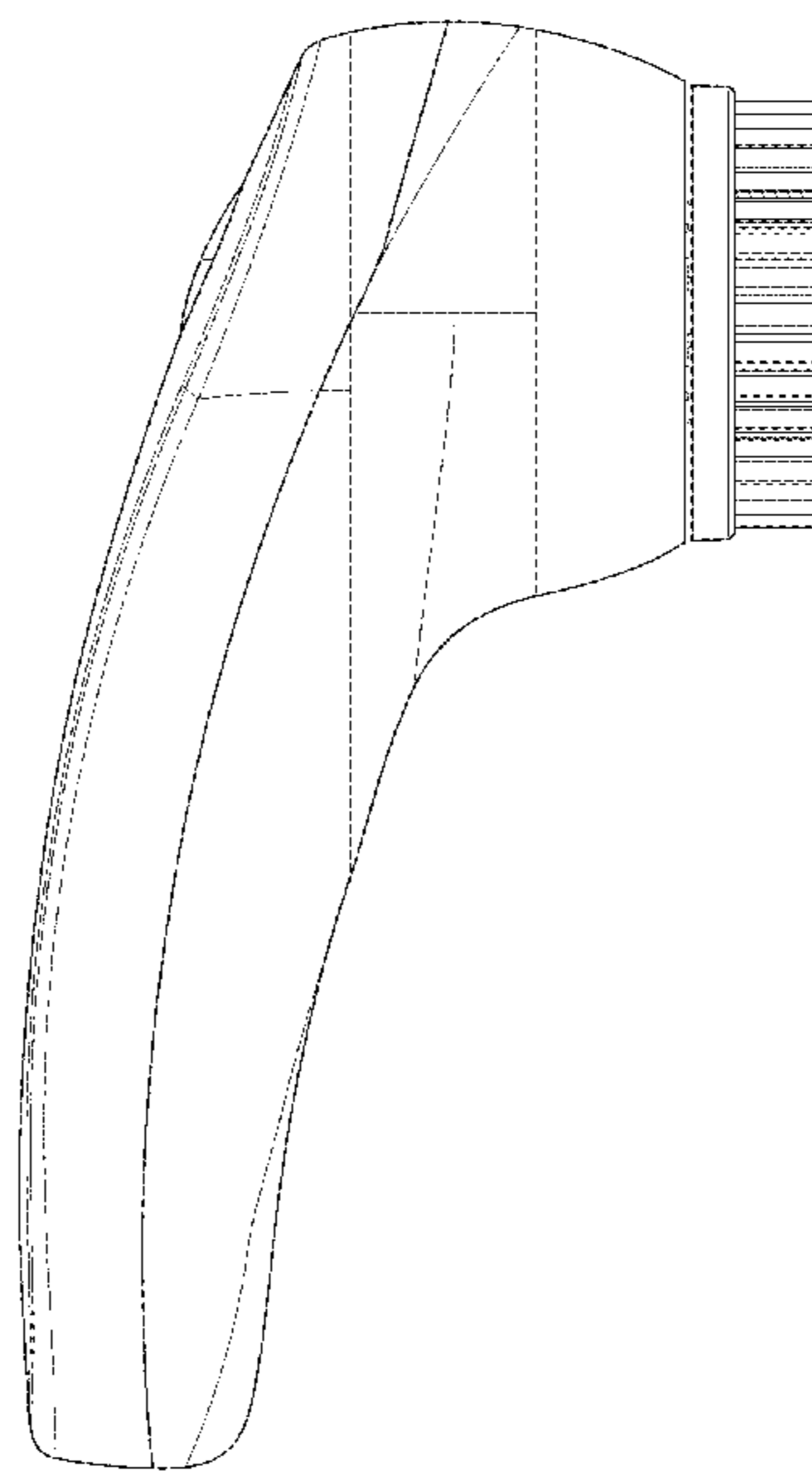
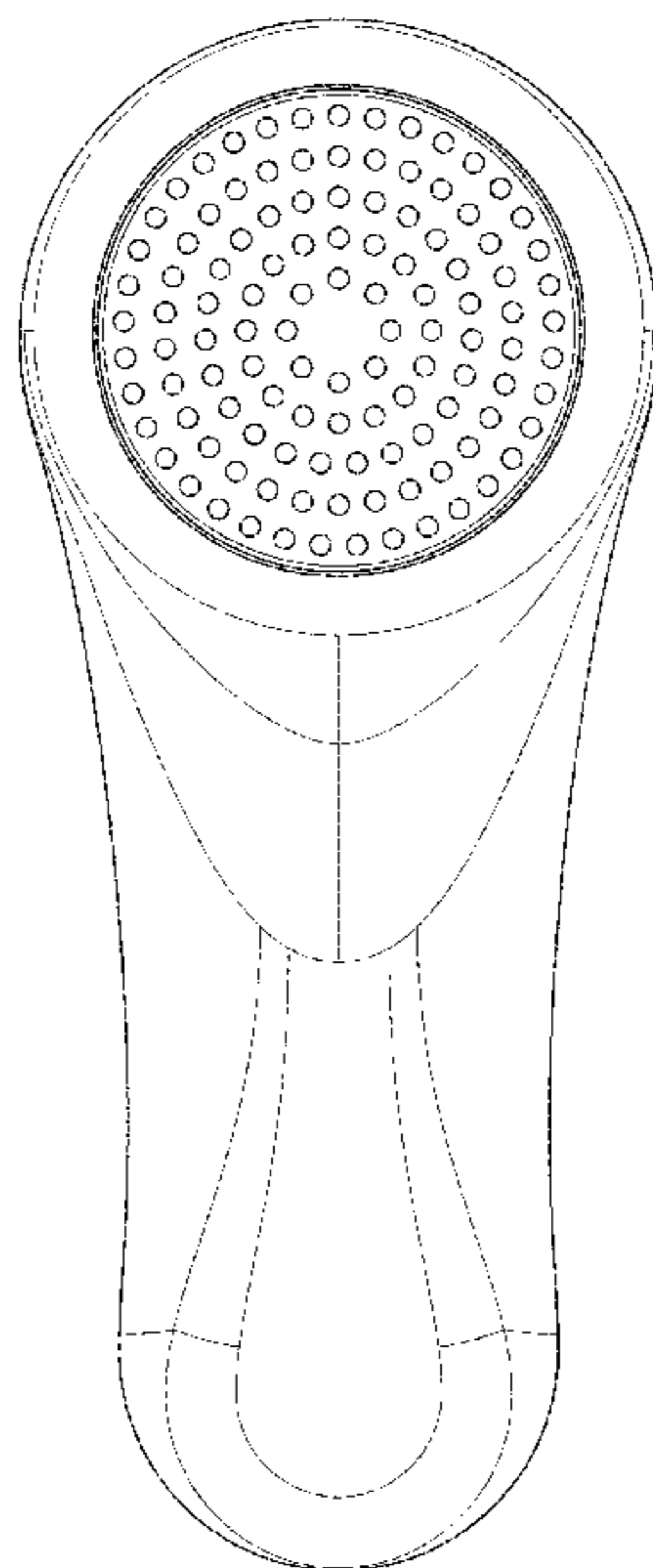
FIG. 4 is a bottom view thereof;

FIG. 5 is a rear view thereof; and,

FIG. 6 is a lower right front perspective view thereof.

The broken lines shown between the bristle carrier and the body in FIGS. 2-4 illustrate portions of the sonic scrubber that form no part of the claimed design.

1 Claim, 6 Drawing Sheets



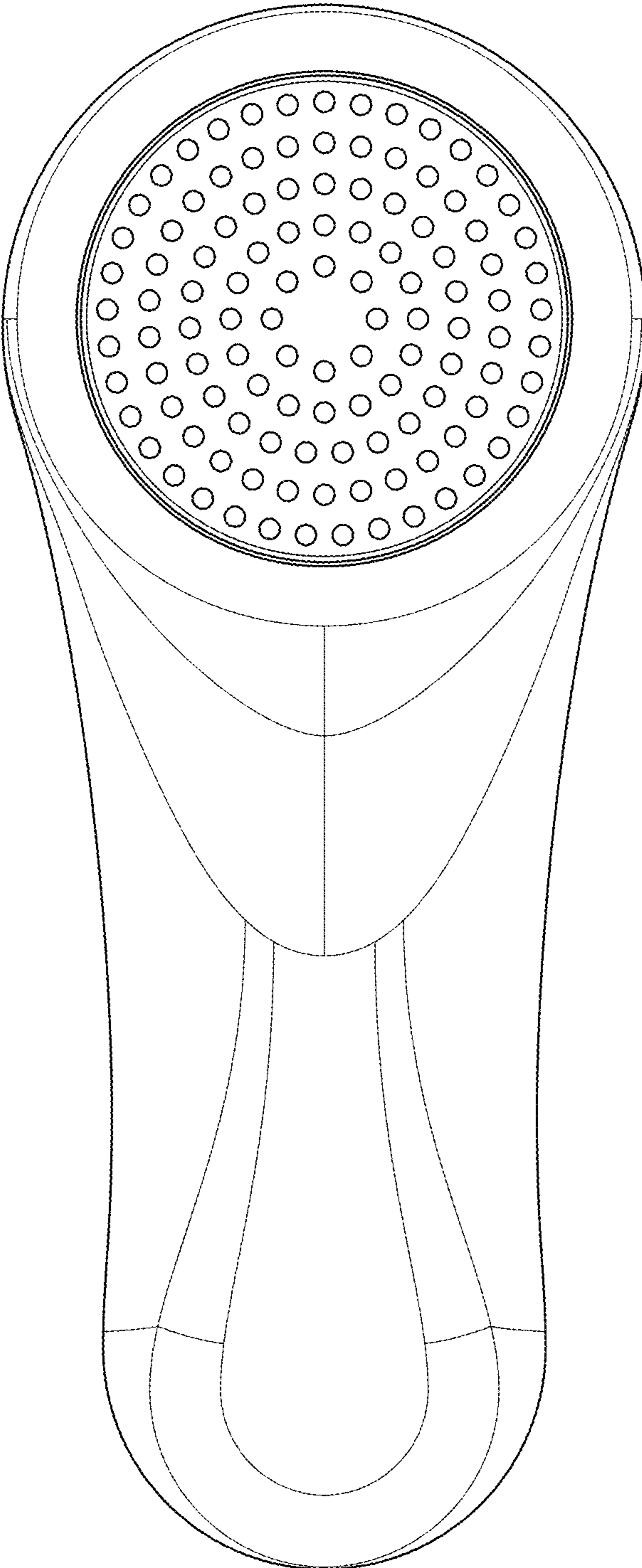


FIG. 1

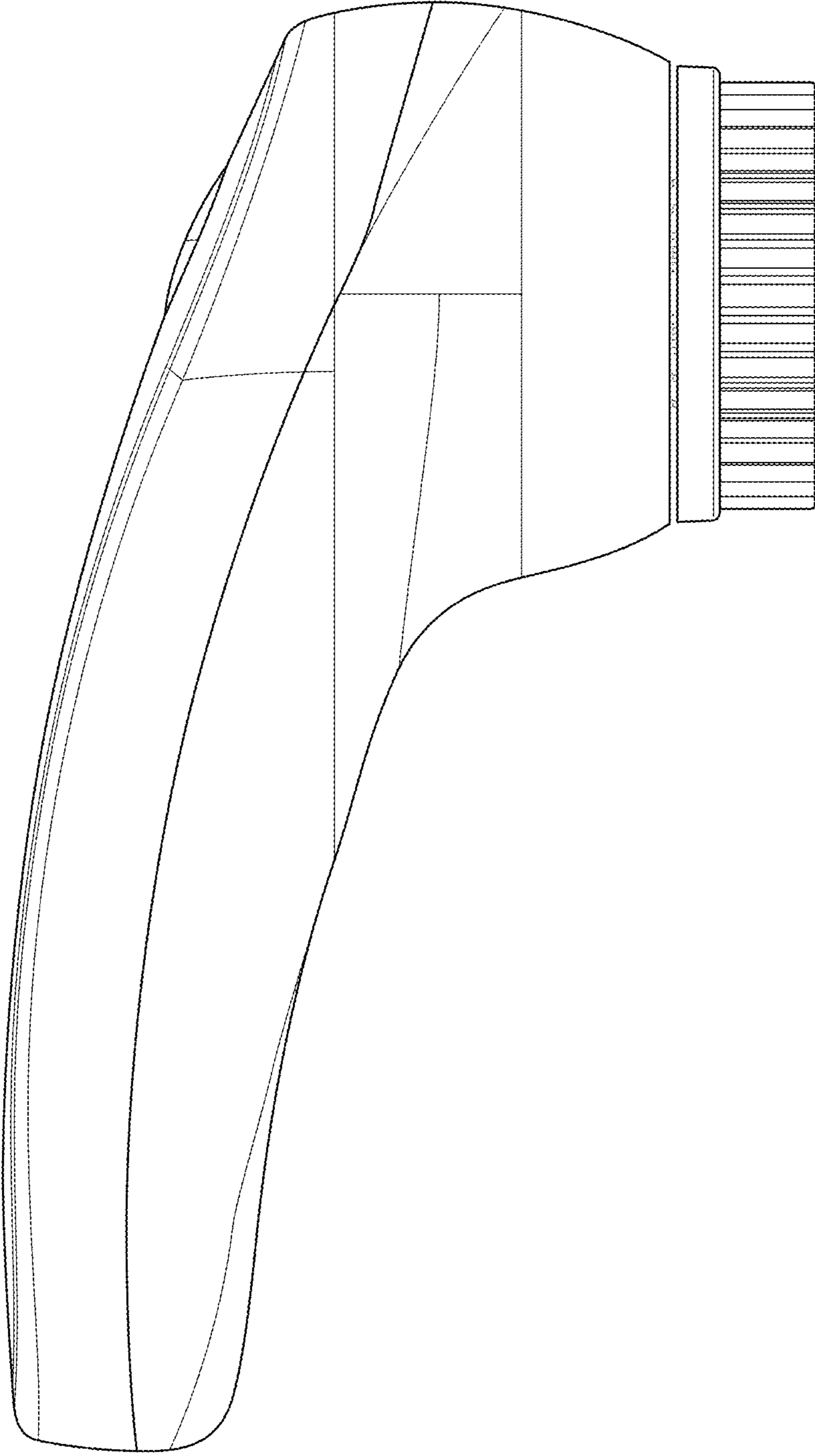


FIG. 2

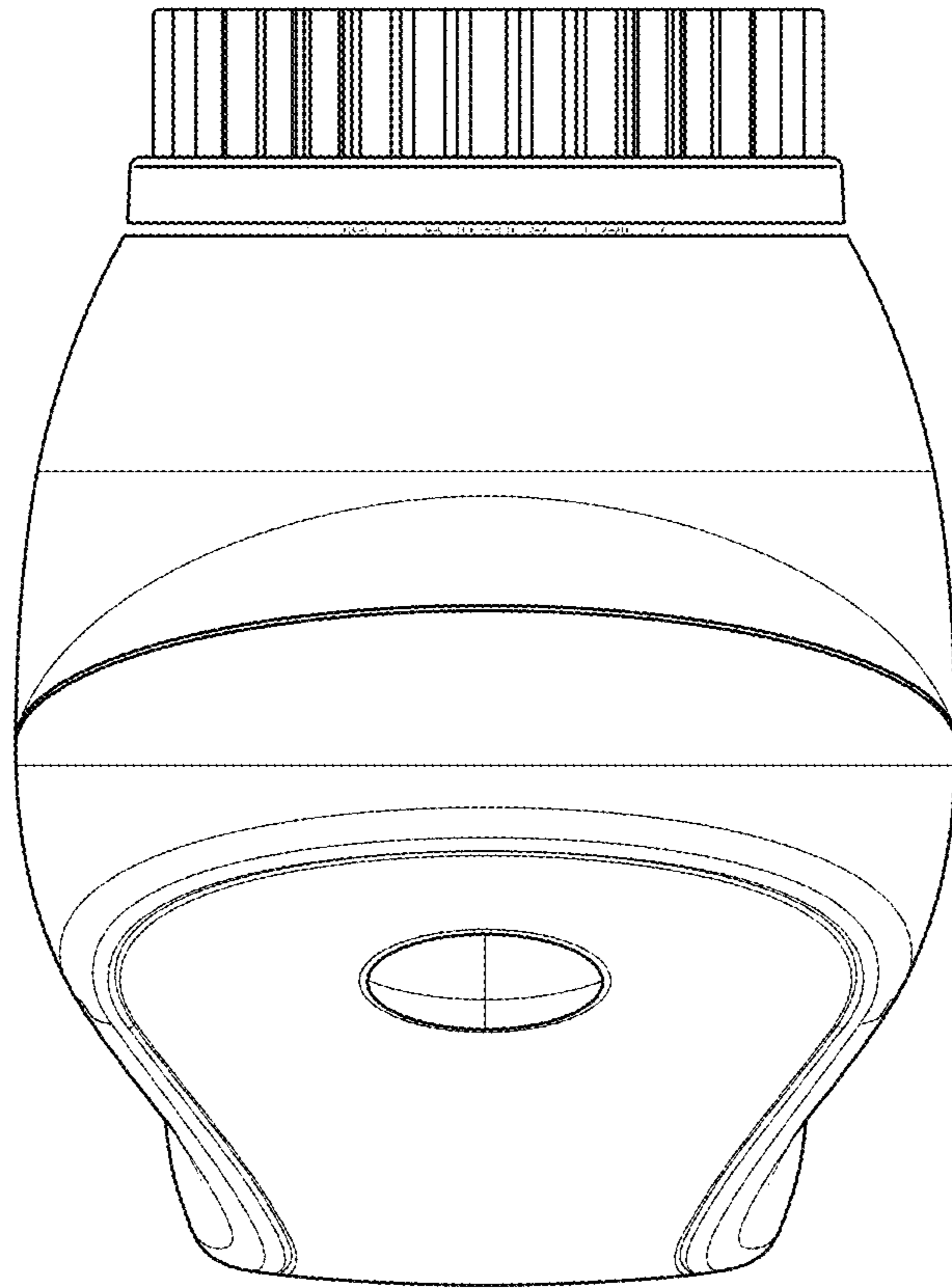


FIG. 3

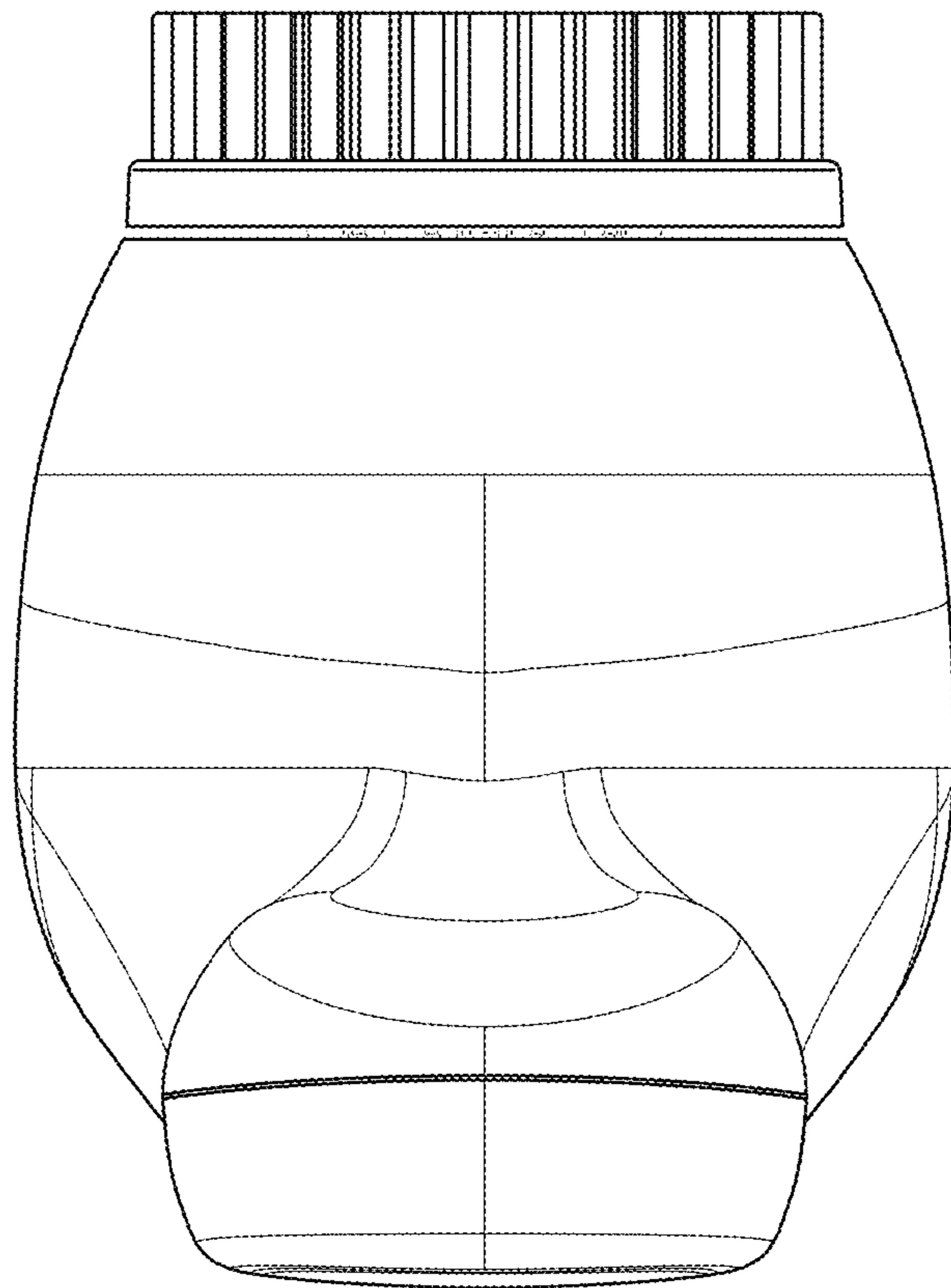


FIG. 4

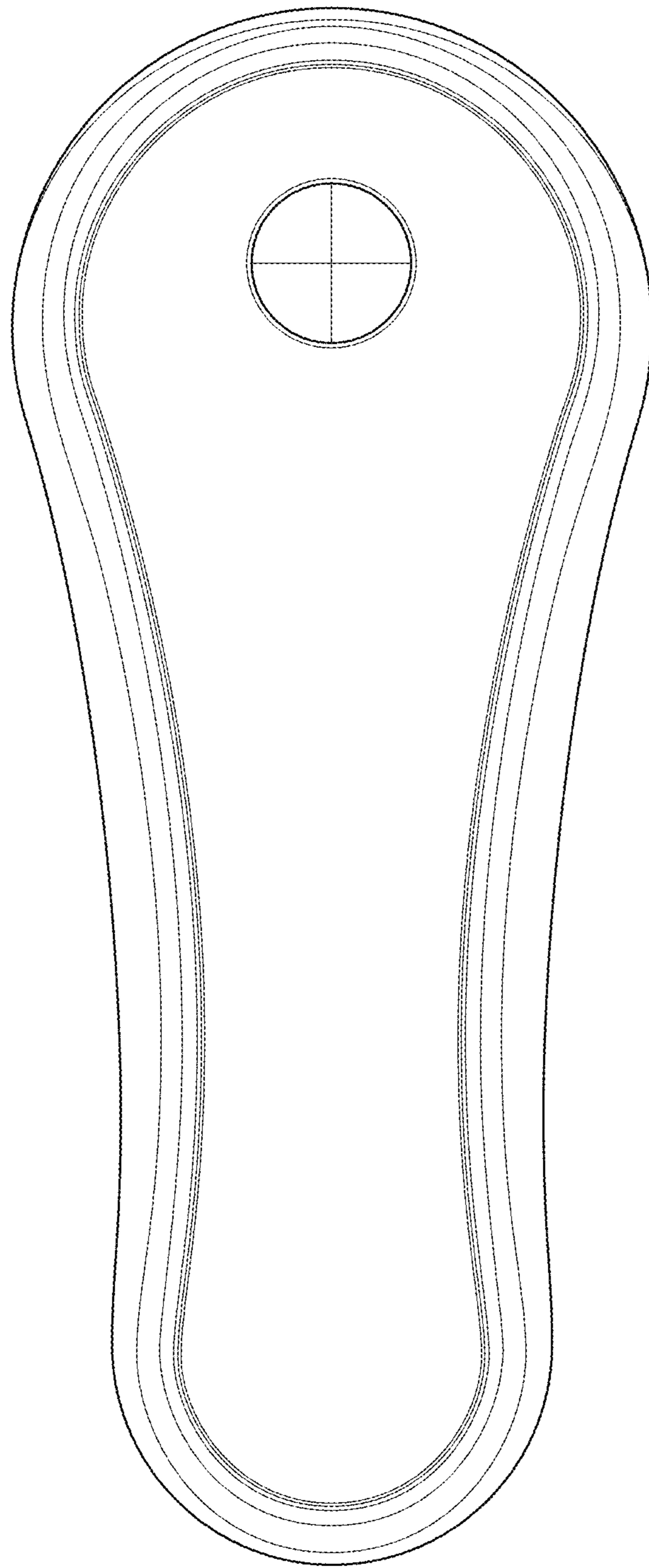


FIG. 5

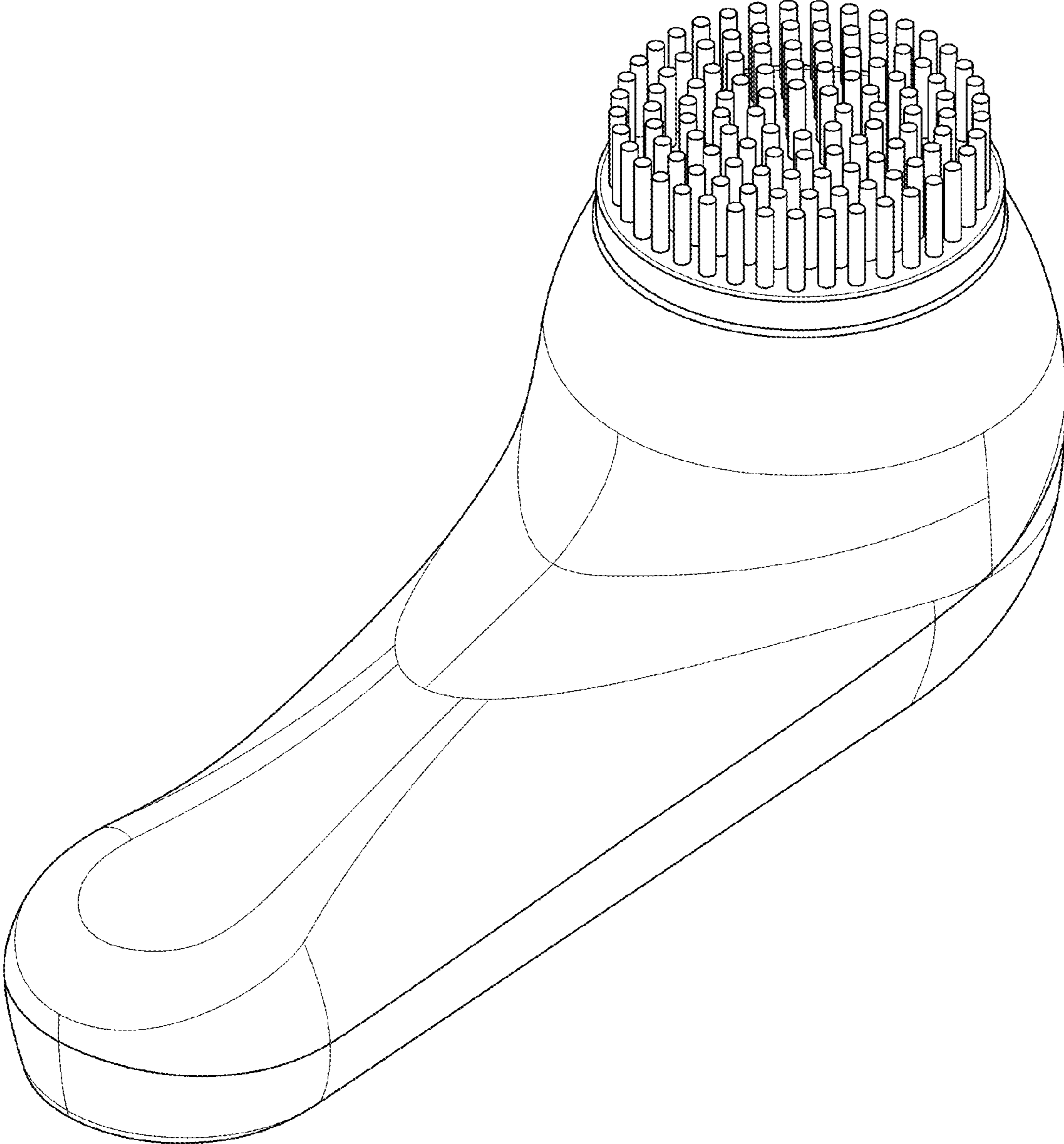


FIG. 6