



US00D749322S

(12) **United States Design Patent**
Wright et al.

(10) **Patent No.:** **US D749,322 S**
(45) **Date of Patent:** **** Feb. 16, 2016**

- (54) **SLEEVE CASE**
- (71) Applicant: **CATALYST LIFESTYLE LIMITED**
- (72) Inventors: **Joshua Wright, Shek-O (HK); June Lai, Hong Kong (CN)**
- (73) Assignee: **CATALYST LIFESTYLE LIMITED, North Point, Hong Kong (CN)**
- (**) Term: **14 Years**
- (21) Appl. No.: **29/490,990**
- (22) Filed: **May 15, 2014**
- (51) **LOC (10) Cl.** **03-01**
- (52) **U.S. Cl.**
USPC **D3/300**
- (58) **Field of Classification Search**
USPC D3/232, 240–243, 245–246, 300
CPC A45C 1/024; A45C 3/06; A45C 2011/322;
A45C 13/42; A45C 11/18; A45C 11/182
See application file for complete search history.

D603,602 S	11/2009	Richardson et al.	
D605,850 S	12/2009	Richardson et al.	
D606,741 S *	12/2009	Zaharakos	D3/232
D609,011 S *	2/2010	Cucuzza	D3/327
7,663,879 B2	2/2010	Richardson et al.	
D611,478 S	3/2010	Richardson et al.	
7,688,580 B2	3/2010	Richardson et al.	
D613,282 S	4/2010	Richardson et al.	
D615,077 S	5/2010	Richardson et al.	
D615,535 S	5/2010	Richardson et al.	
D615,536 S	5/2010	Richardson et al.	
D615,967 S	5/2010	Richardson et al.	
D617,784 S	6/2010	Richardson et al.	
D617,785 S	6/2010	Richardson et al.	

(Continued)

Primary Examiner — Holly Baynham
(74) *Attorney, Agent, or Firm* — Dinsmore & Shohl LLP

(57) **CLAIM**
The ornamental design for a sleeve case, as shown and described.

DESCRIPTION

FIG. 1 is a front perspective view of the sleeve case with the broken lines showing the strap and clasps being for the purpose of illustrating environment and forming no part of the claimed design.

FIG. 2 is a planar view of a front face of the sleeve case of FIG. 1;

FIG. 3 is a planar view of the rear face of the sleeve case of FIG. 1;

FIG. 4 is a planar view of one side of the sleeve case of FIG. 1;

FIG. 5 is a planar view of an opposite side of the sleeve case of FIG. 1;

FIG. 6 is a planar view of a top of the sleeve case of FIG. 1; and,

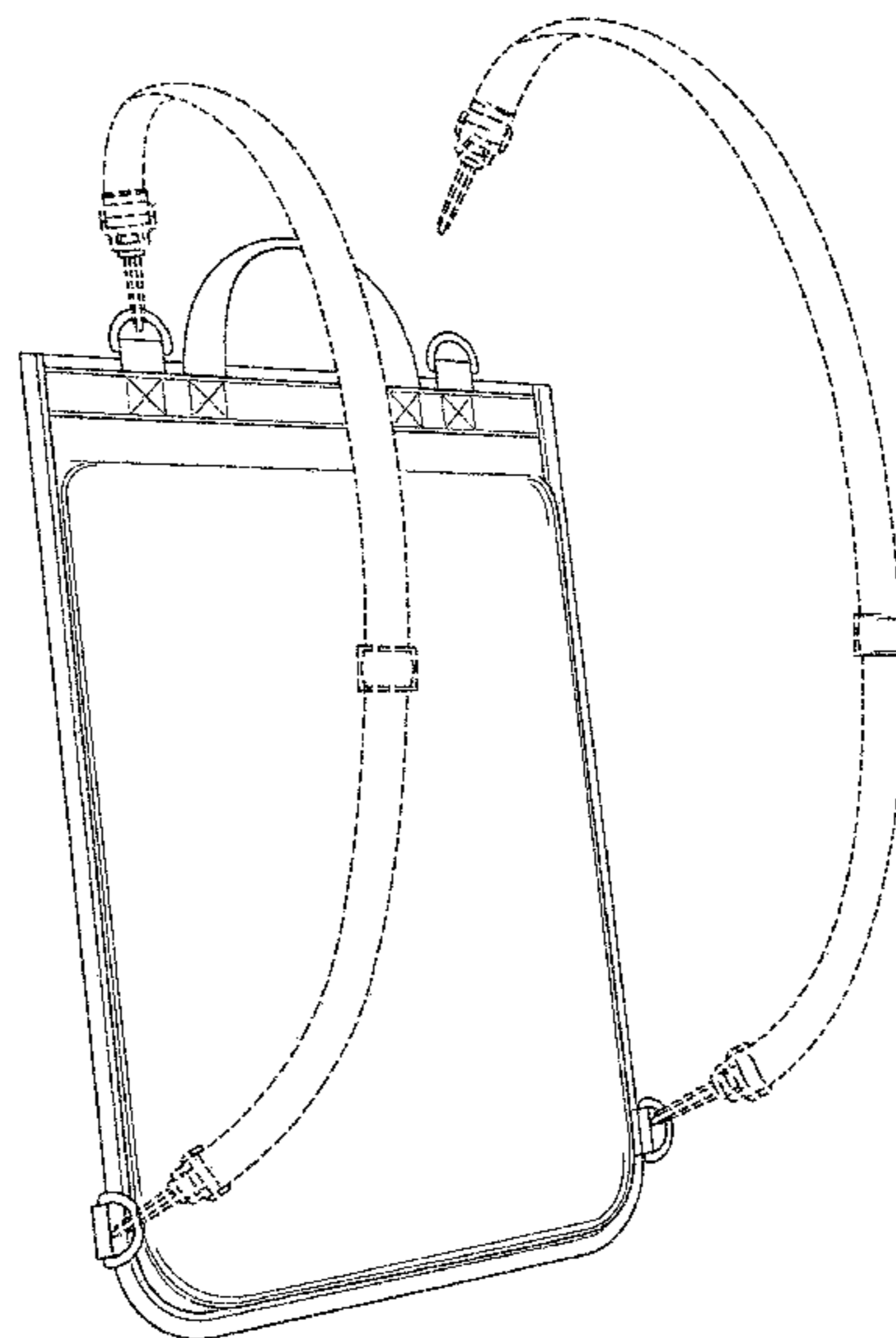
FIG. 7 is a planar view of a bottom of the sleeve case of FIG. 1.

1 Claim, 3 Drawing Sheets

(56) **References Cited**

U.S. PATENT DOCUMENTS

D345,254 S *	3/1994	Bodden	D3/243
6,646,864 B2	11/2003	Richardson	
D526,780 S	8/2006	Richardson et al.	
D535,820 S *	1/2007	Kamiya	D3/246
D555,899 S *	11/2007	Spagnuolo	D3/232
D557,897 S	12/2007	Richardson et al.	
D581,155 S	11/2008	Richardson et al.	
D581,421 S	11/2008	Richardson et al.	
D587,008 S	2/2009	Richardson et al.	
D587,457 S *	3/2009	Barnwell	D3/327
D589,016 S	3/2009	Richardson et al.	
D593,319 S	6/2009	Richardson et al.	
D593,746 S	6/2009	Richardson et al.	
D597,301 S	8/2009	Richardson et al.	
D600,908 S	9/2009	Richardson et al.	



(56)

References Cited

U.S. PATENT DOCUMENTS

D617,786 S	6/2010	Richardson et al.	D658,644 S	5/2012	Melanson et al.
D617,787 S	6/2010	Richardson et al.	D662,924 S	7/2012	Melanson et al.
D619,574 S	7/2010	Richardson et al.	D663,296 S	7/2012	Melanson et al.
D620,487 S	7/2010	Richardson et al.	D673,539 S	1/2013	Magness et al.
D621,394 S	8/2010	Richardson et al.	D673,540 S	1/2013	Weller et al.
D621,395 S	8/2010	Richardson et al.	D673,541 S	1/2013	Weller et al.
D621,821 S	8/2010	Richardson et al.	D673,542 S	1/2013	Melanson et al.
D621,822 S	8/2010	Richardson et al.	D673,543 S	1/2013	Melanson et al.
D623,179 S	9/2010	Richardson et al.	D673,544 S	1/2013	Michie
D623,638 S	9/2010	Richardson et al.	D673,545 S	1/2013	Magness et al.
D623,639 S	9/2010	Richardson et al.	D673,546 S	1/2013	Magness et al.
D624,533 S	9/2010	Richardson et al.	D673,547 S	1/2013	Melanson et al.
D624,910 S	10/2010	Richardson et al.	D673,548 S	1/2013	Weller et al.
D626,120 S	10/2010	Richardson et al.	D673,549 S	1/2013	Chang et al.
D626,121 S	10/2010	Richardson et al.	D673,550 S	1/2013	Magness et al.
D628,568 S	12/2010	Richardson et al.	D673,551 S	1/2013	Chang et al.
D632,683 S	2/2011	Richardson et al.	D673,552 S	1/2013	Weller et al.
D632,684 S	2/2011	Richardson et al.	D673,553 S	1/2013	Weller et al.
D632,685 S	2/2011	Richardson et al.	D673,569 S	1/2013	Smith et al.
D632,686 S	2/2011	Magness et al.	D673,936 S	1/2013	Michie et al.
7,889,489 B2	2/2011	Richardson et al.	D673,938 S	1/2013	Weller et al.
D634,741 S	3/2011	Richardson et al.	D673,939 S	1/2013	Chang et al.
D636,386 S	4/2011	Richardson et al.	D673,940 S	1/2013	Chang et al.
D636,387 S	4/2011	Willes et al.	D673,941 S	1/2013	Melanson et al.
D637,588 S	5/2011	Richardson et al.	D673,942 S	1/2013	Magness et al.
D637,589 S	5/2011	Willes et al.	D674,790 S	1/2013	Melanson et al.
D637,590 S	5/2011	Michie et al.	D674,791 S	1/2013	Melanson et al.
D637,591 S	5/2011	Willes et al.	D674,792 S	1/2013	Magness
D637,592 S	5/2011	Magness et al.	D675,209 S	1/2013	Glanzer et al.
D638,005 S	5/2011	Richardson et al.	D675,603 S	2/2013	Melanson et al.
D638,411 S	5/2011	Willes et al.	D675,624 S	2/2013	Wibby et al.
D638,413 S	5/2011	Magness et al.	D676,035 S	2/2013	Chang et al.
D638,414 S	5/2011	Magness et al.	D676,036 S	2/2013	Chang et al.
D638,828 S	5/2011	Melanson et al.	D676,433 S	2/2013	Smith et al.
D638,829 S	5/2011	Melanson et al.	D676,434 S	2/2013	Chang et al.
D638,830 S	5/2011	Magness et al.	D676,435 S	2/2013	Chang et al.
D640,680 S	6/2011	Magness et al.	D676,838 S	2/2013	Magness et al.
D641,013 S	7/2011	Richardson et al.	D676,840 S	2/2013	Chang et al.
D641,014 S	7/2011	Smith et al.	D676,841 S	2/2013	Magness et al.
D642,171 S	7/2011	Melanson et al.	D676,842 S	2/2013	Weller et al.
D642,558 S	8/2011	Magness et al.	D676,844 S	2/2013	Weller et al.
D643,028 S	8/2011	Richardson et al.	D676,845 S	2/2013	Melanson et al.
D643,422 S	8/2011	Smith et al.	D677,251 S	3/2013	Melanson et al.
D643,423 S	8/2011	Smith et al.	D680,522 S	4/2013	Melanson
D643,424 S	8/2011	Richardson et al.	D681,020 S	4/2013	Magness et al.
D643,836 S	8/2011	Smith et al.	D681,022 S	4/2013	Chang et al.
D643,837 S	8/2011	Smith et al.	D681,023 S	4/2013	Weller et al.
D644,216 S	8/2011	Richardson et al.	D681,024 S	4/2013	Chang et al.
D644,217 S	8/2011	Richardson et al.	D681,025 S	4/2013	Chang et al.
D644,635 S	9/2011	Richardson et al.	D681,026 S	4/2013	Weller et al.
D644,636 S	9/2011	Richardson et al.	D681,613 S	5/2013	Magness et al.
D644,637 S	9/2011	Smith et al.	D681,616 S	5/2013	Weller et al.
D644,638 S	9/2011	Melanson et al.	D681,617 S	5/2013	Weller et al.
D644,639 S	9/2011	Weller et al.	D681,618 S	5/2013	Magness et al.
D645,031 S	9/2011	Richardson et al.	D681,619 S	5/2013	Smith
D649,536 S	11/2011	Richardson et al.	D681,621 S	5/2013	Magness
D649,537 S	11/2011	Magness et al.	D681,622 S	5/2013	Melanson et al.
D649,538 S	11/2011	Magness et al.	D681,623 S	5/2013	Chang et al.
D650,371 S	12/2011	Wibby et al.	D683,339 S	5/2013	Weller et al.
D650,376 S	12/2011	Wibby et al.	D683,340 S	5/2013	Chang et al.
D651,203 S	12/2011	Michie et al.	D683,341 S	5/2013	Melanson et al.
D651,204 S	12/2011	Wibby et al.	D684,149 S	6/2013	Chang et al.
D651,594 S	1/2012	Melanson et al.	D684,568 S	6/2013	Fitzgerald et al.
D654,483 S	2/2012	Richardson et al.	D687,025 S	7/2013	Wilkson et al.
D654,484 S	2/2012	Chang et al.	D687,027 S	7/2013	Melanson et al.
D654,485 S	2/2012	Chang et al.	D689,851 S	9/2013	Chang et al.
D654,486 S	2/2012	Chang et al.	D691,123 S	10/2013	Lay et al.
D654,487 S	2/2012	Weller et al.	D694,244 S	11/2013	Magness et al.
D654,488 S	2/2012	Chang et al.	D694,521 S	12/2013	Robinson et al.
D654,489 S	2/2012	Weller et al.	D694,759 S	12/2013	Chang et al.
D654,490 S	2/2012	Weller et al.	D695,015 S	12/2013	Robinson et al.
D654,491 S	2/2012	Melanson et al.	D695,297 S	12/2013	Sun et al.
D654,492 S	2/2012	Melanson et al.	D695,730 S	12/2013	Wicks et al.
D654,915 S	2/2012	Weller et al.	D695,744 S	12/2013	Weller et al.
D657,353 S	4/2012	Melanson et al.	D695,746 S	12/2013	Magness et al.
			D697,503 S	1/2014	Melanson et al.
			D697,903 S	1/2014	Witter et al.
			D697,904 S	1/2014	Wicks et al.
			D697,905 S	1/2014	Chang et al.

(56)

References Cited

U.S. PATENT DOCUMENTS

D698,342 S	1/2014	Gronewoller et al.	D705,768 S	5/2014	Melanson et al.
D698,343 S	1/2014	Chang et al.	D707,215 S	6/2014	Weller et al.
D698,344 S	1/2014	Weller et al.	D707,670 S	6/2014	Chang et al.
D698,345 S	1/2014	Chang et al.	D708,850 S	7/2014	Morine et al.
D698,346 S	1/2014	Chang et al.	D709,059 S	7/2014	Kim et al.
D699,714 S	2/2014	Melanson et al.	D709,060 S	7/2014	Melanson et al.
D699,715 S	2/2014	Fitzgerald et al.	D709,061 S	7/2014	Borra et al.
D703,197 S	4/2014	Melanson et al.	D709,062 S	7/2014	Melanson et al.
D703,199 S	4/2014	Smith	D709,063 S	7/2014	Chang et al.
D703,211 S	4/2014	Weller et al.	D709,064 S	7/2014	Chang et al.
D703,648 S	4/2014	Magness et al.	D709,488 S	7/2014	Bulkley et al.
D703,652 S	4/2014	Melanson et al.	D709,867 S	7/2014	Chang et al.
D703,653 S	4/2014	Brubaker et al.	D709,868 S	7/2014	Witter et al.
D703,654 S	4/2014	Melanson et al.	D709,869 S	7/2014	Witter et al.
D703,655 S	4/2014	Melanson et al.	D710,344 S	8/2014	Smith et al.
D703,656 S	4/2014	Witter et al.	D710,346 S	8/2014	Smith et al.
D704,182 S	5/2014	Smith	2006/0279924 A1	12/2006	Richardson et al.
D704,687 S	5/2014	Northrup et al.	2007/0297149 A1	12/2007	Richardson et al.
D705,766 S	5/2014	Melanson et al.	2011/0073608 A1	3/2011	Richardson et al.
			2011/0228458 A1	9/2011	Richardson et al.
			2011/0228459 A1	9/2011	Richardson et al.
			2013/0299498 A1	11/2013	Magness et al.

* cited by examiner

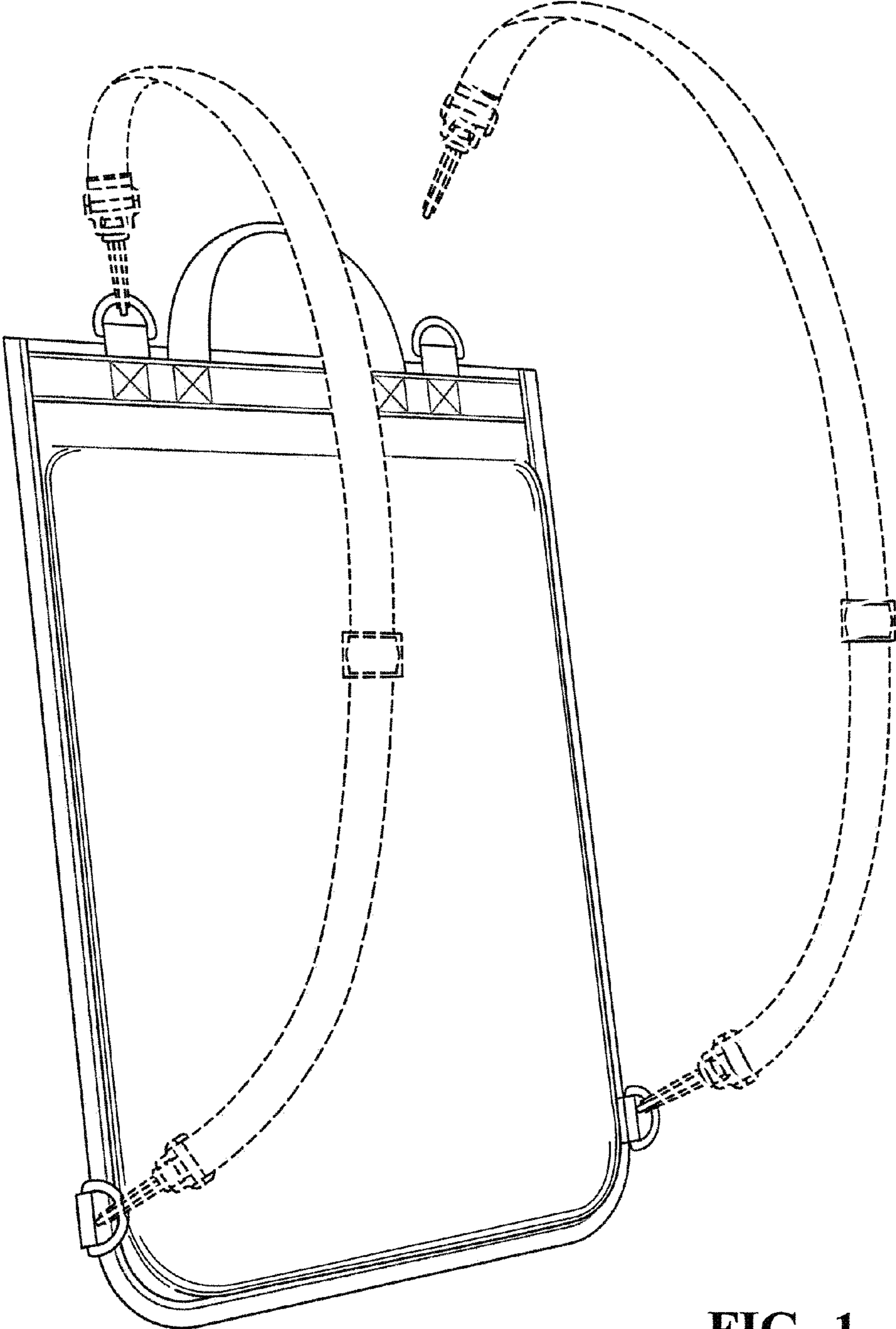


FIG. 1

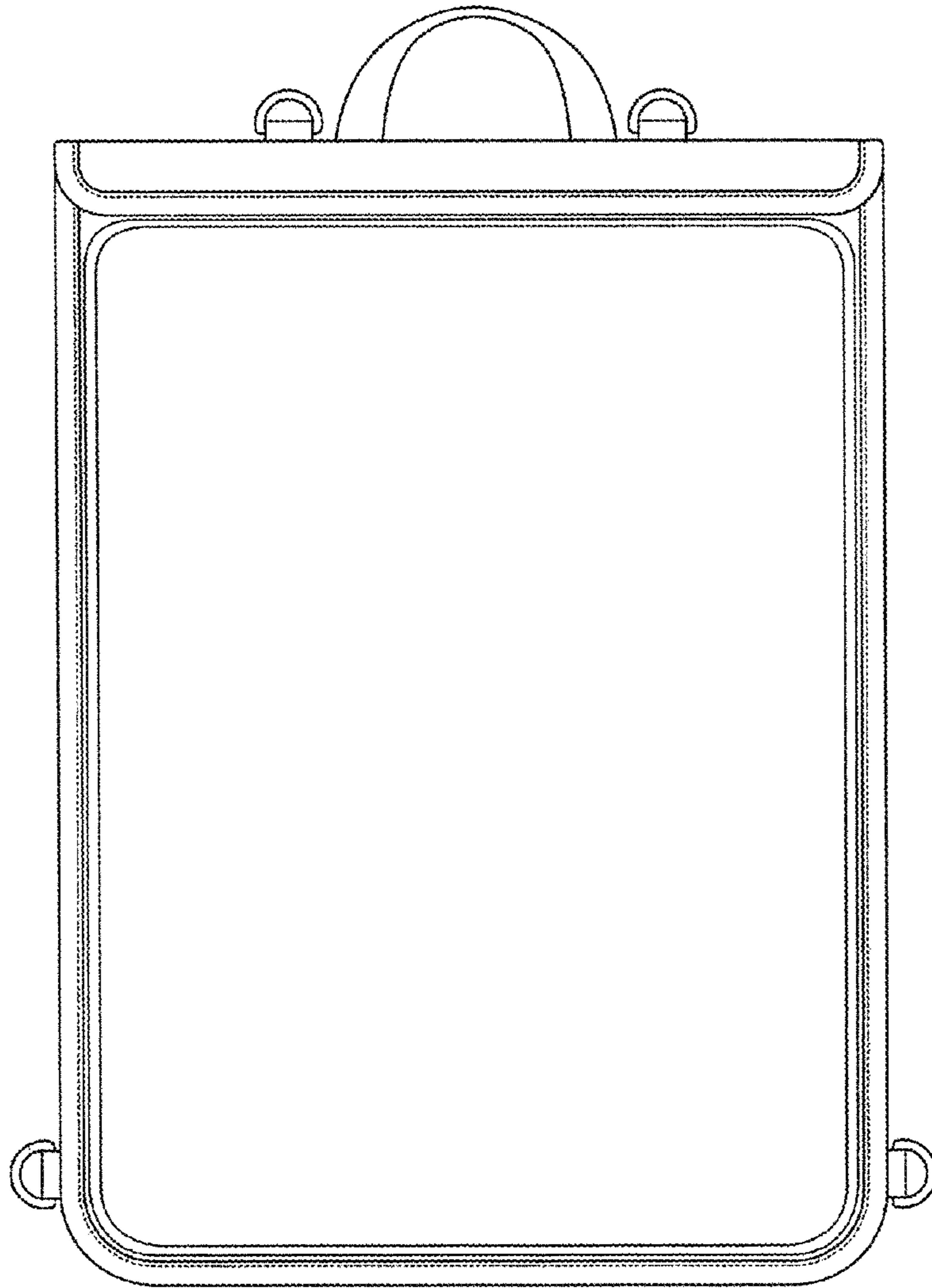


FIG. 2

FIG. 6

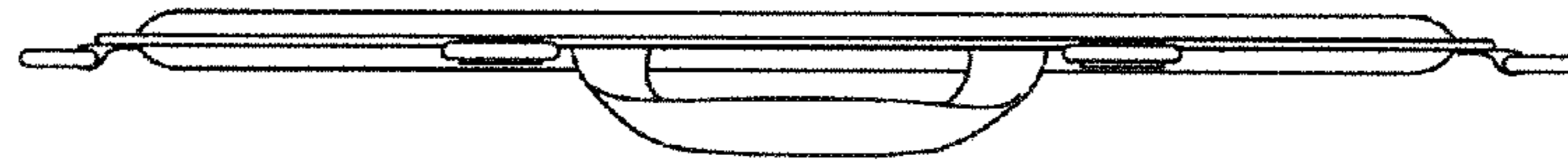


FIG. 3

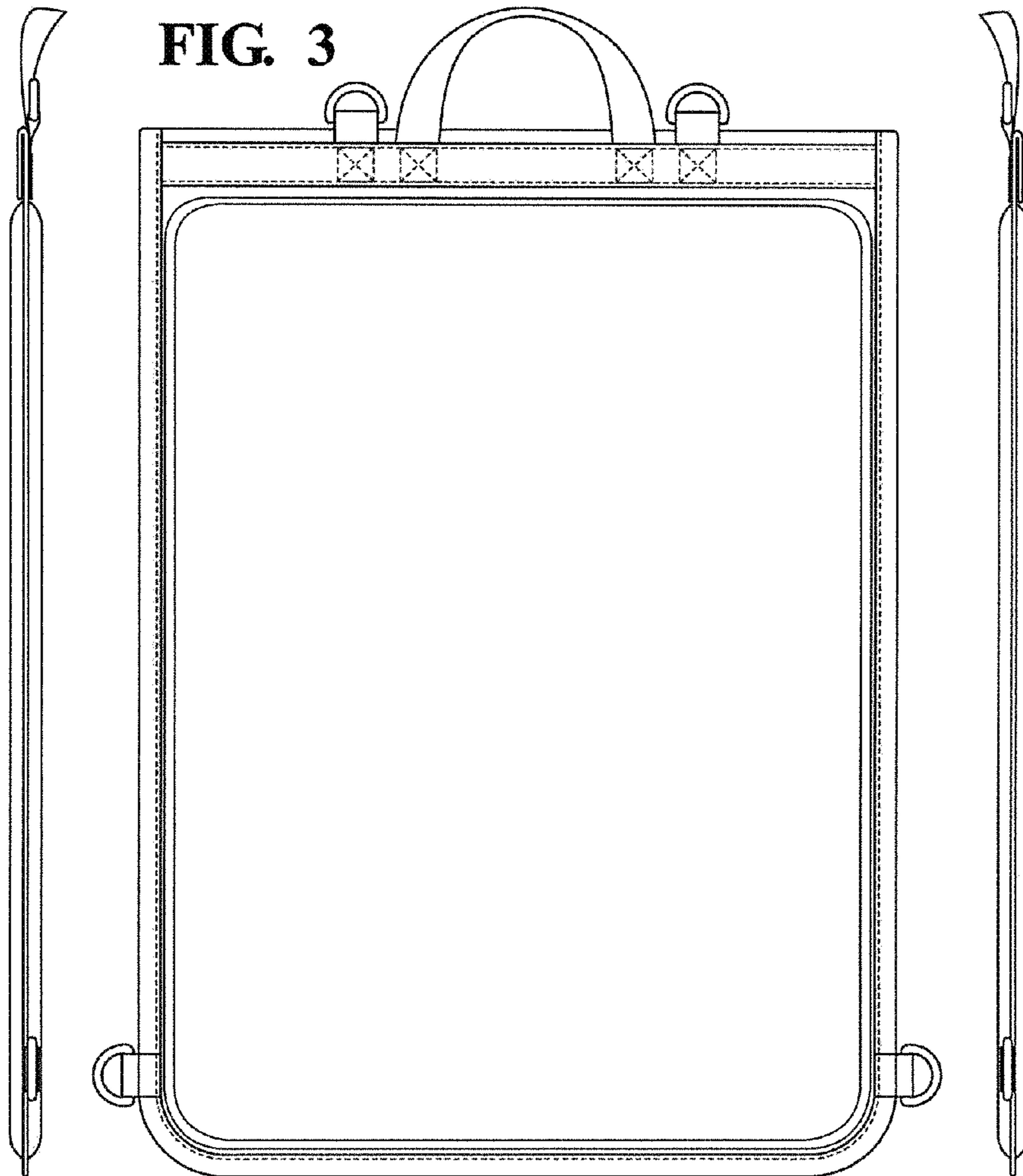


FIG. 4

FIG. 5

FIG. 7

