



US00D749320S

(12) **United States Design Patent**  
**Slimane**

(10) **Patent No.:** **US D749,320 S**  
(45) **Date of Patent:** **\*\* Feb. 16, 2016**

(54) **HANDBAG**

(71) Applicant: **YVES SAINT LAURENT**, Paris (FR)

(72) Inventor: **Hedi Slimane**, City of West Hollywood,  
CA (US)

(73) Assignee: **YVES SAINT LAURENT**, Paris (FR)

(\*\*) Term: **14 Years**

(21) Appl. No.: **29/498,652**

(22) Filed: **Aug. 6, 2014**

(51) **LOC (10) Cl.** ..... **03-01**

(52) **U.S. Cl.**  
USPC ..... **D3/232**

(58) **Field of Classification Search**  
USPC ..... D3/232-233, 240-243, 245, 246, 318;  
150/100, 103-110, 113-114, 117-119;  
383/72

CPC ..... A45C 3/06; A45C 1/024; A45C 13/1046  
See application file for complete search history.

(56) **References Cited**

**U.S. PATENT DOCUMENTS**

|           |     |         |           |       |            |
|-----------|-----|---------|-----------|-------|------------|
| 1,404,528 | A * | 1/1922  | Jeffs     | ..... | A45C 3/06  |
|           |     |         |           |       | 150/130    |
| 2,335,359 | A * | 11/1943 | Rosenberg | ..... | A45C 3/06  |
|           |     |         |           |       | 132/306    |
| D155,811  | S * | 11/1949 | Kigere    | ..... | D3/233     |
| D167,586  | S * | 8/1952  | Pichel    | ..... | D3/243     |
| D290,064  | S * | 6/1987  | Whitaker  | ..... | D3/244     |
| D307,811  | S * | 5/1990  | Branco    | ..... | D3/289     |
| 5,176,102 | A * | 1/1993  | Tracy     | ..... | A01K 1/029 |

|              |      |         |           |       |           |
|--------------|------|---------|-----------|-------|-----------|
|              |      |         |           |       | 119/497   |
| D334,660     | S *  | 4/1993  | Zagora    | ..... | D3/244    |
| D355,300     | S *  | 2/1995  | Smith     | ..... | D3/287    |
| D453,876     | S *  | 2/2002  | Moor      | ..... | D3/300    |
| D578,305     | S *  | 10/2008 | Gonzalez  | ..... | D3/243    |
| D590,148     | S *  | 4/2009  | Lin       | ..... | D3/217    |
| D631,652     | S *  | 2/2011  | Vauzelles | ..... | D3/232    |
| D657,555     | S *  | 4/2012  | Gerbi     | ..... | D3/232    |
| D668,863     | S *  | 10/2012 | Maier     | ..... | D3/232    |
| D680,328     | S *  | 4/2013  | Alexandre | ..... | D3/232    |
| 2012/0267017 | A1 * | 10/2012 | Sloan     | ..... | A45C 3/06 |
|              |      |         |           |       | 150/103   |

\* cited by examiner

*Primary Examiner* — Derrick Holland

*Assistant Examiner* — Jennifer O King

(74) *Attorney, Agent, or Firm* — Donald J. Ranft; Kristen A. Mogavero; Colleen IP

(57) **CLAIM**

The ornamental design for a handbag, as shown and described.

**DESCRIPTION**

FIG. 1 is a front right perspective view of a handbag showing my new design;

FIG. 2 is a front view thereof;

FIG. 3 is a rear view thereof;

FIG. 4 is a left side view thereof;

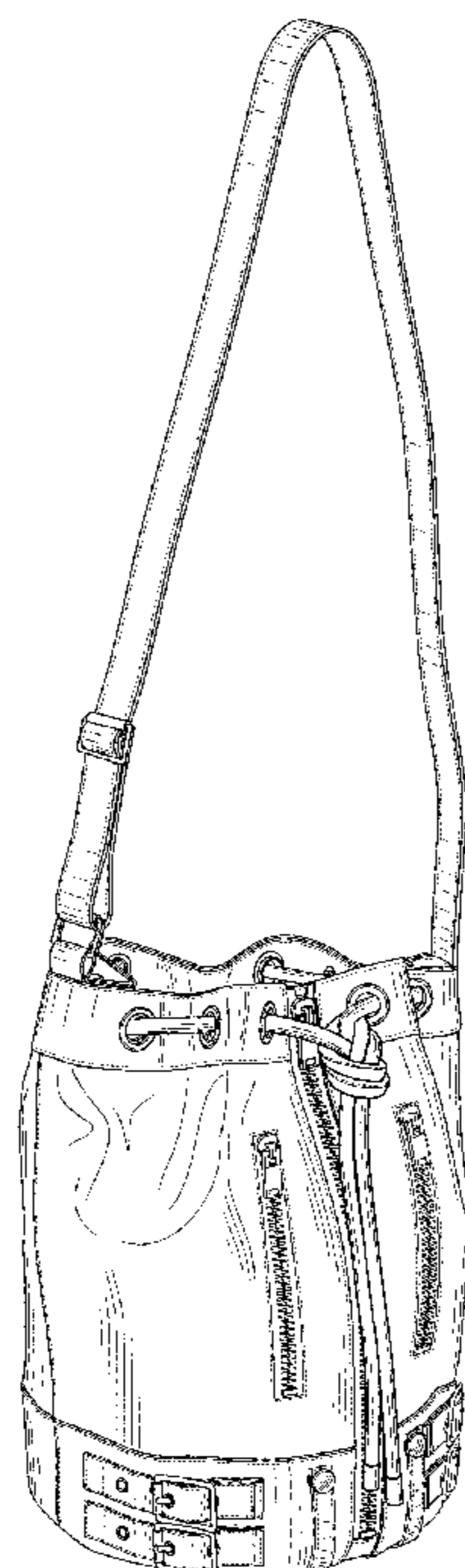
FIG. 5 is a right side view thereof;

FIG. 6 is a top view thereof; and,

FIG. 7 is a bottom view thereof.

The broken lines shown in FIGS. 1-7 represent stitching and form part of the claimed design.

**1 Claim, 4 Drawing Sheets**



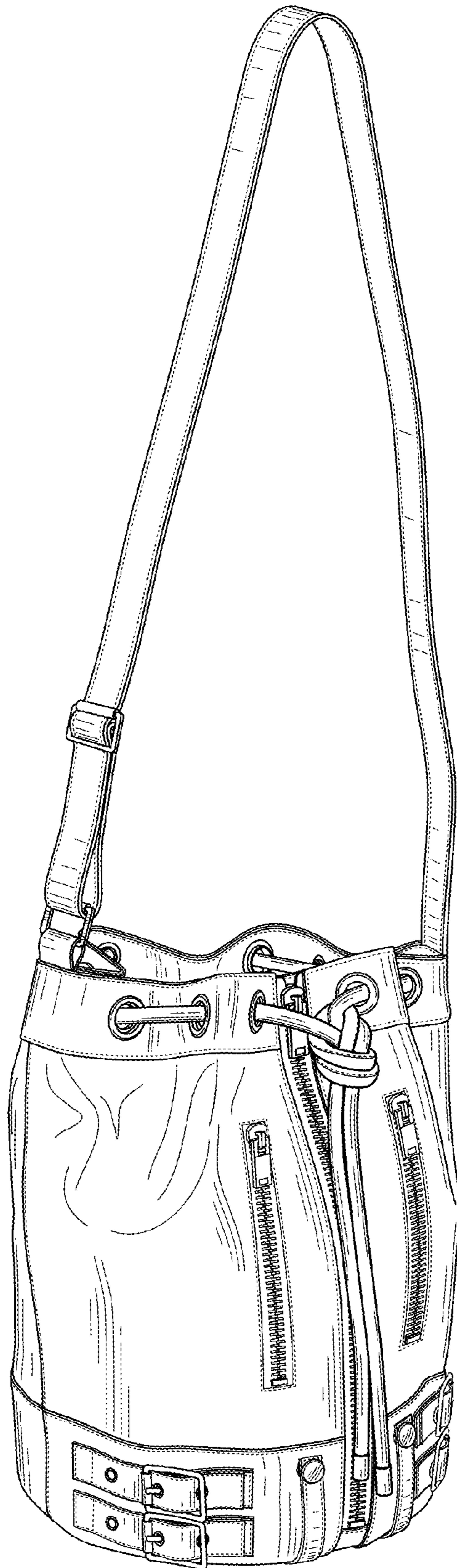


FIG. 1

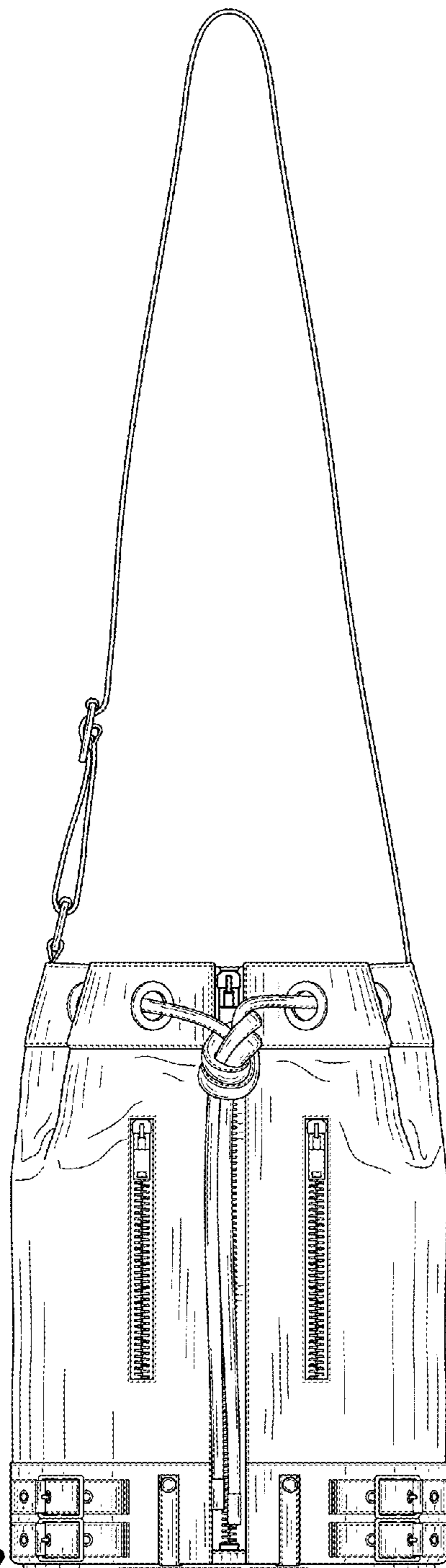


FIG. 2

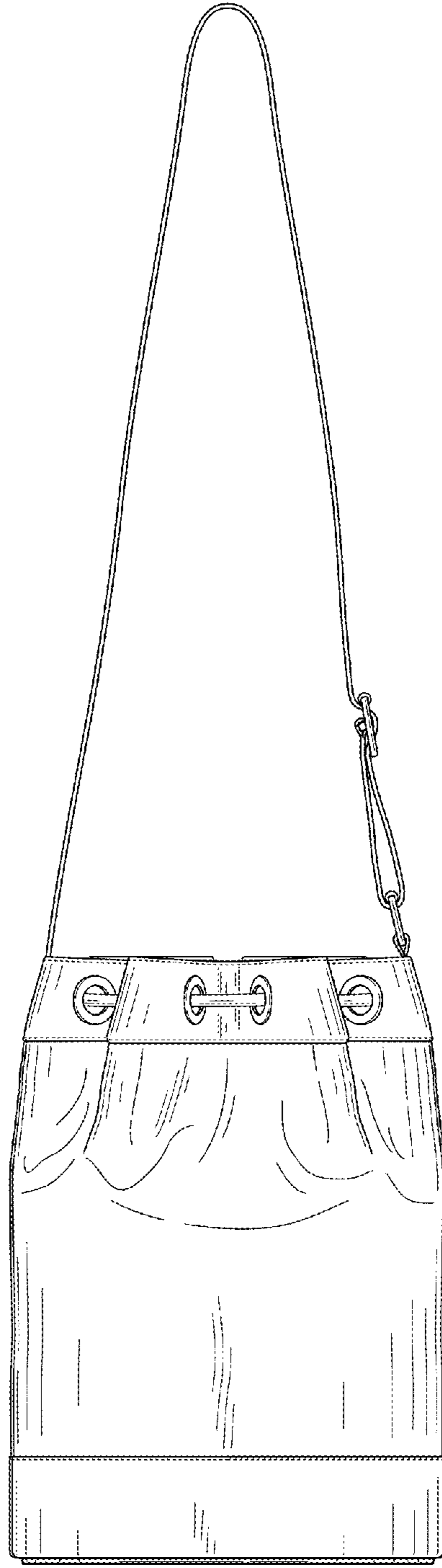


FIG. 3

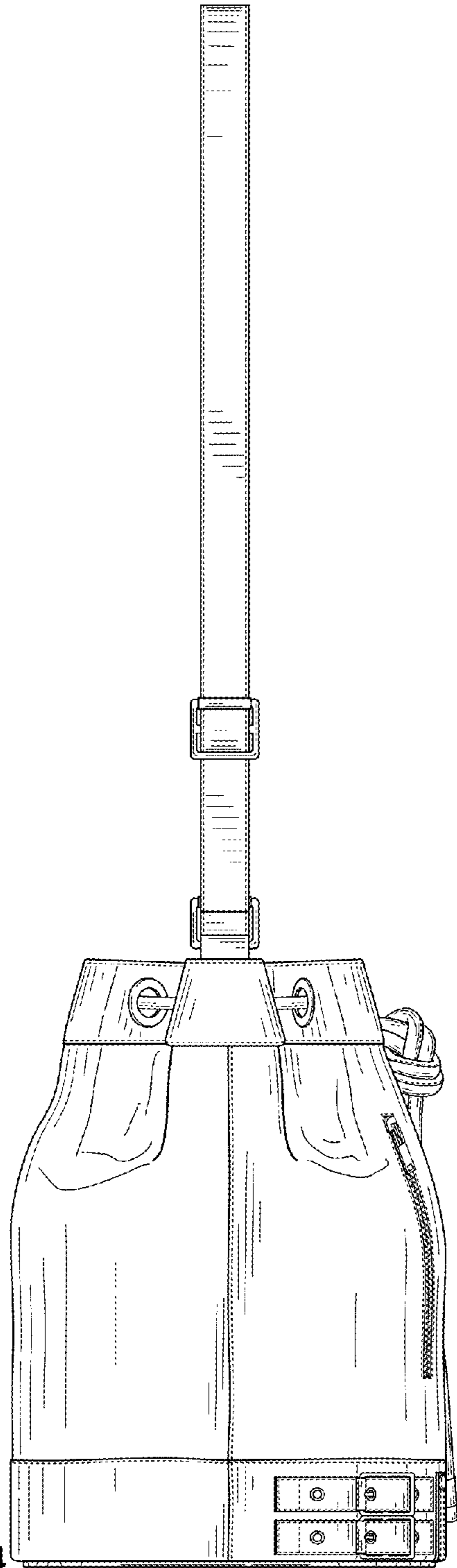


FIG. 4

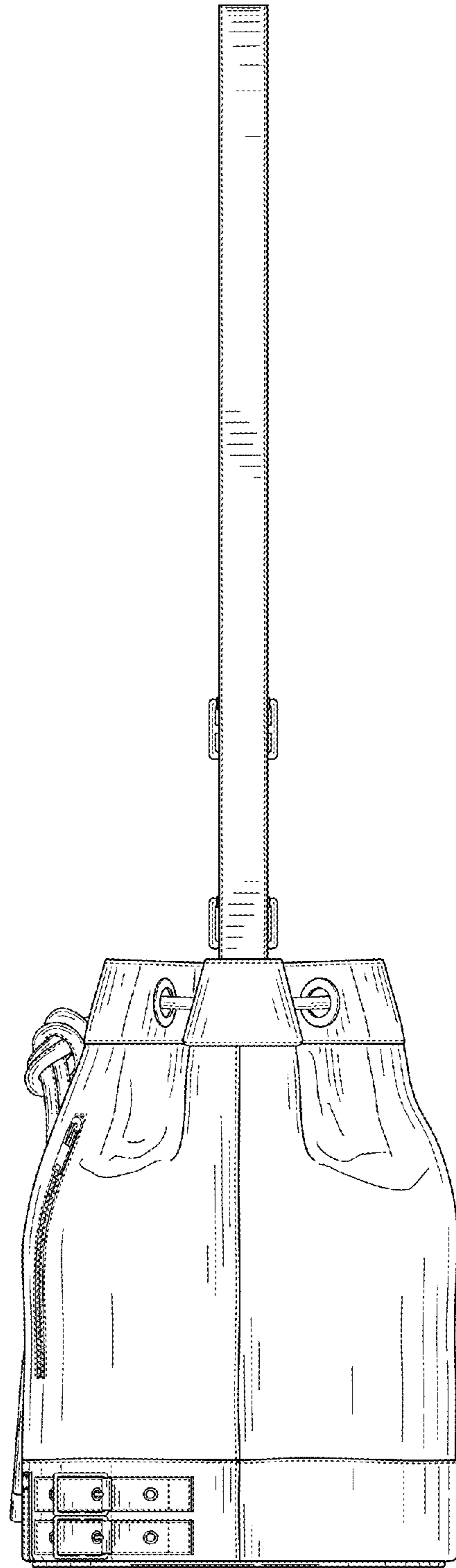


FIG. 5

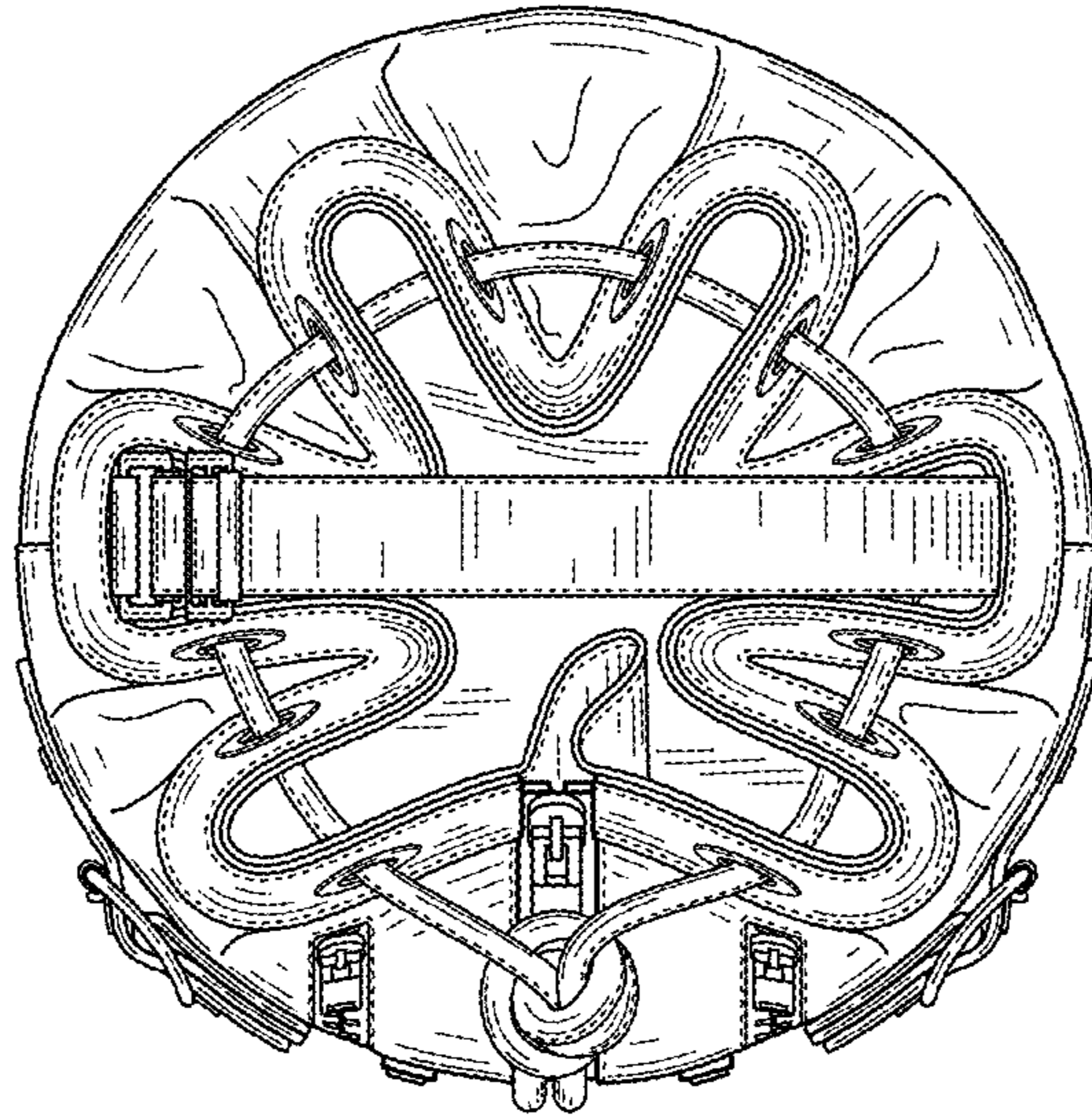


FIG. 6

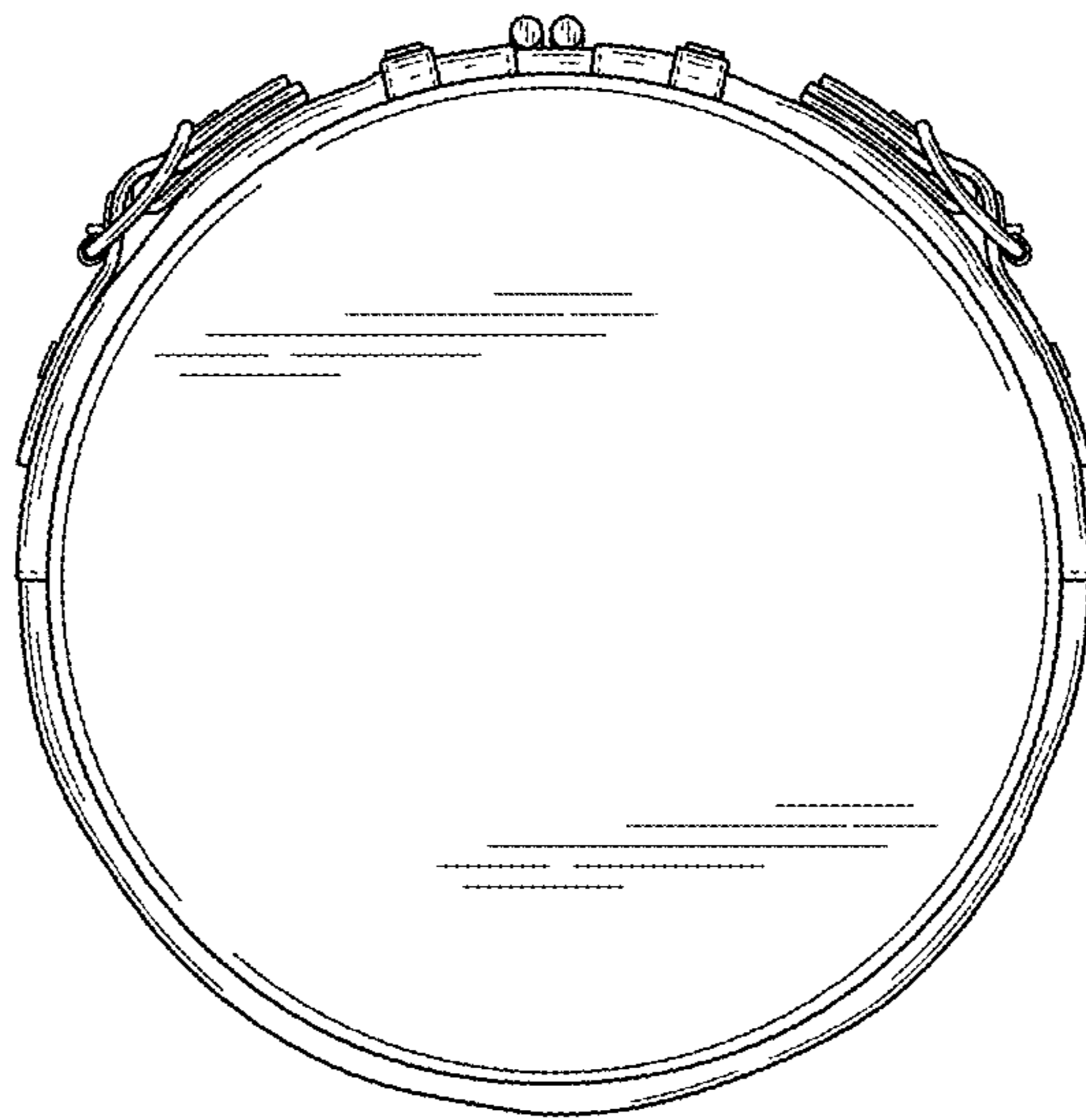


FIG. 7