



US00D749317S

(12) **United States Design Patent**  
**Vertreese**

(10) **Patent No.:** **US D749,317 S**  
(45) **Date of Patent:** **\*\* Feb. 16, 2016**

- (54) **GUN HOLSTER**
- (71) Applicant: **Ariel V. Vertreese**, Lee's Summit, MO  
(US)
- (72) Inventor: **Ariel V. Vertreese**, Lee's Summit, MO  
(US)
- (\*\*) Term: **14 Years**
- (21) Appl. No.: **29/497,566**
- (22) Filed: **Jul. 25, 2014**
- (51) **LOC (10) Cl.** ..... **03-01**
- (52) **U.S. Cl.**  
USPC ..... **D3/222**
- (58) **Field of Classification Search**  
USPC ..... D3/222-223; D22/108; 224/191-193,  
224/197-198, 238, 243-244, 575, 666, 673,  
224/676, 668, 901.4, 911-912, 914  
See application file for complete search history.

- 5,820,003 A \* 10/1998 Nichols ..... F41C 33/0227  
224/192
- 6,283,351 B1 \* 9/2001 Brite ..... F41C 33/0227  
224/238
- 6,561,402 B2 5/2003 Holland et al.
- 6,695,186 B2 2/2004 Madarang
- 7,204,395 B2 4/2007 Gallagher
- 7,258,259 B1 8/2007 Owens
- 7,314,152 B1 1/2008 Garrett
- 2014/0048572 A1 2/2014 Yeates

\* cited by examiner

*Primary Examiner* — Catheri Oliver-Garcia  
(74) *Attorney, Agent, or Firm* — Erickson Kernell  
Derousseau & Kleypas, LLC

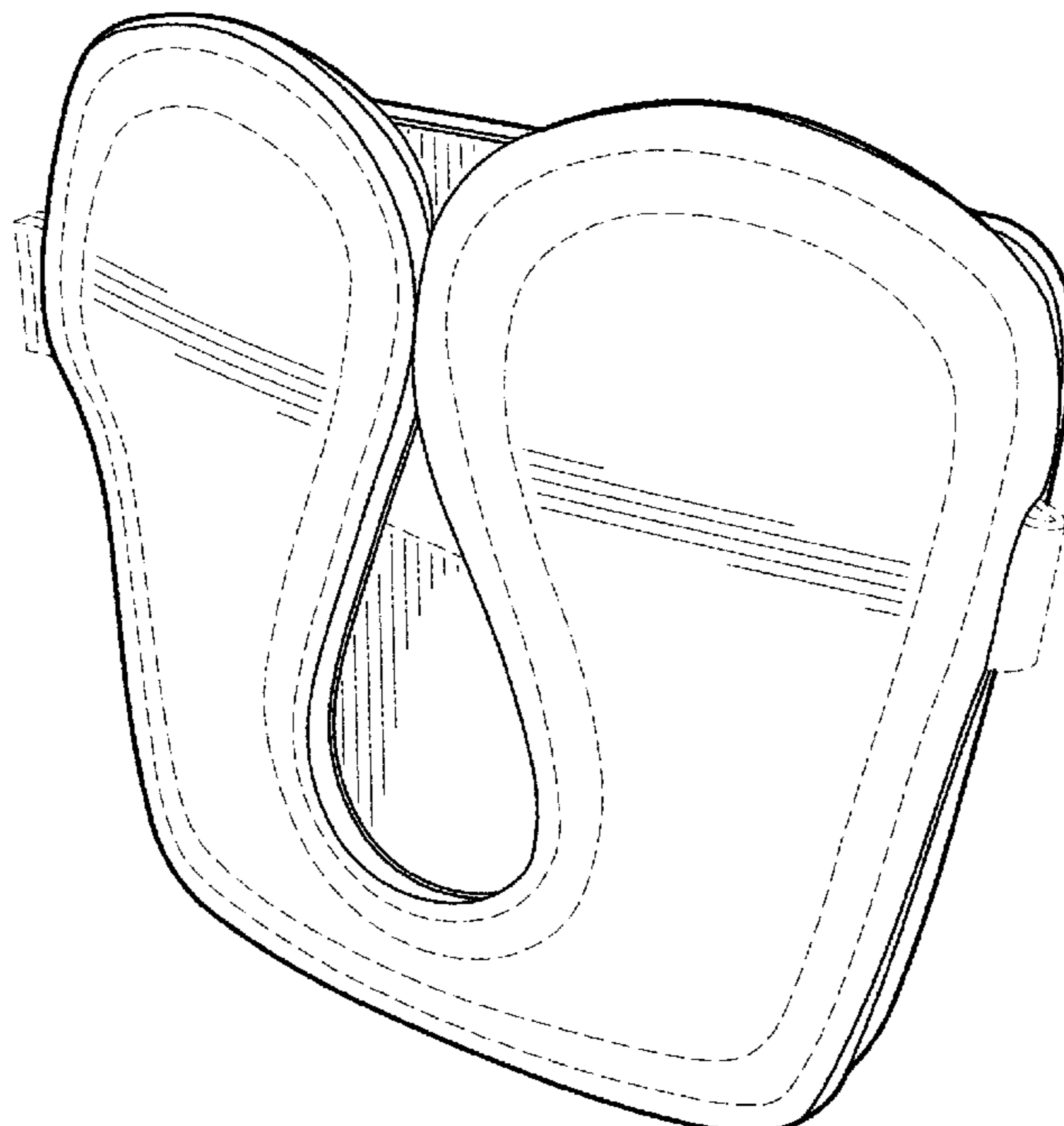
(57) **CLAIM**  
The ornamental design for a gun holster, as shown and described.

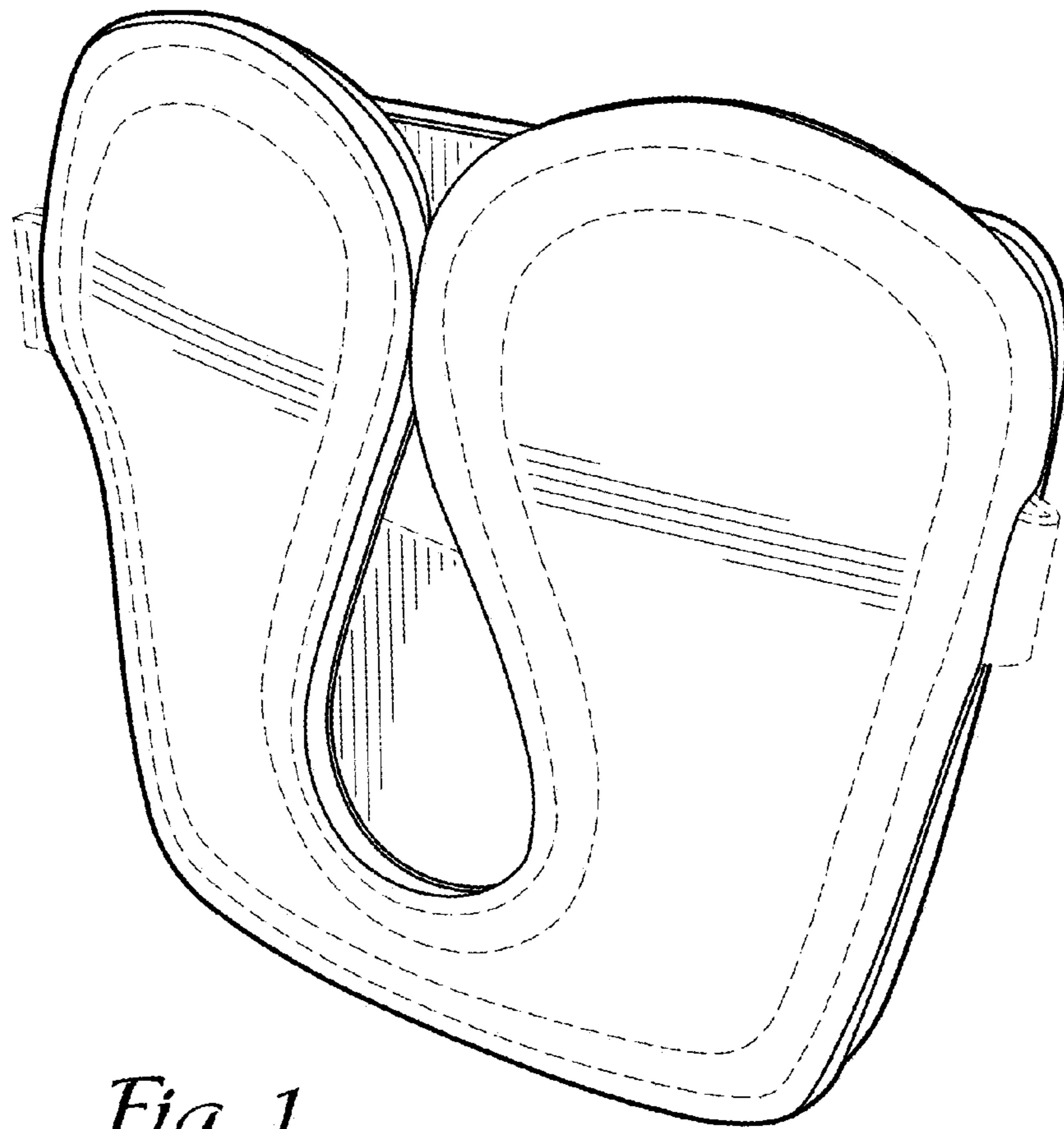
**DESCRIPTION**

FIG. 1 is a perspective view of a gun holster;  
FIG. 2 is a front, elevational view of the gun holster;  
FIG. 3 is a right side elevational view of the gun holster;  
FIG. 4 is a top view of the gun holster;  
FIG. 5 is a rear, elevational view of the gun holster;  
FIG. 6 is a left side elevational view of the gun holster; and,  
FIG. 7 is a bottom view of the gun holster.  
Broken lines shown in FIGS. 1-7 are for illustrative purposes and form no part of the claimed design.

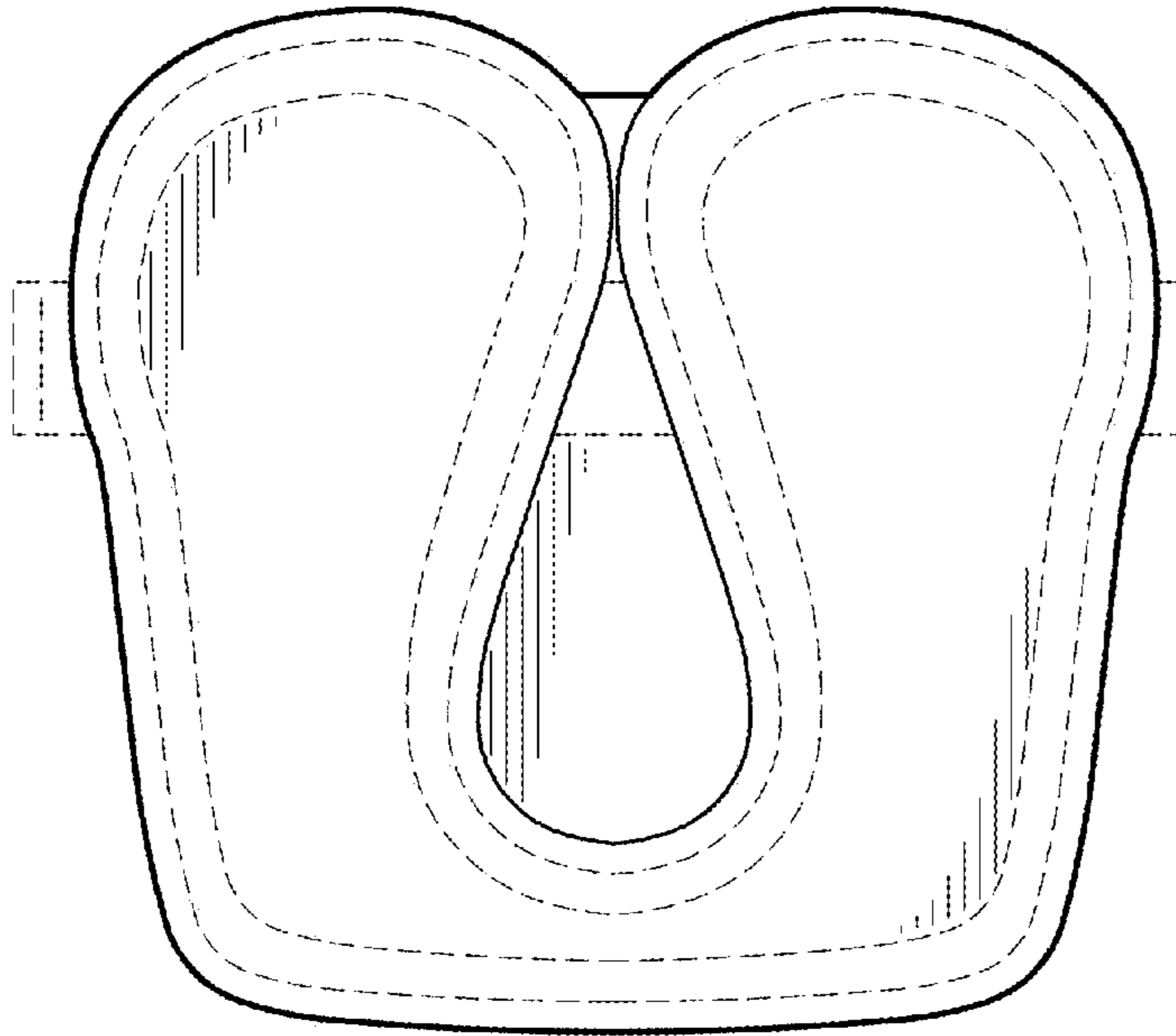
**1 Claim, 3 Drawing Sheets**

- (56) **References Cited**  
U.S. PATENT DOCUMENTS
- 3,003,670 A 10/1961 Stella
- 4,577,787 A 3/1986 Hersey
- 4,846,383 A 7/1989 Gallagher
- D309,374 S \* 7/1990 Lightfoot ..... D3/222
- D331,497 S 12/1992 Dixon
- D335,221 S \* 5/1993 Nichols ..... D3/222
- D392,458 S \* 3/1998 Batts ..... D3/222

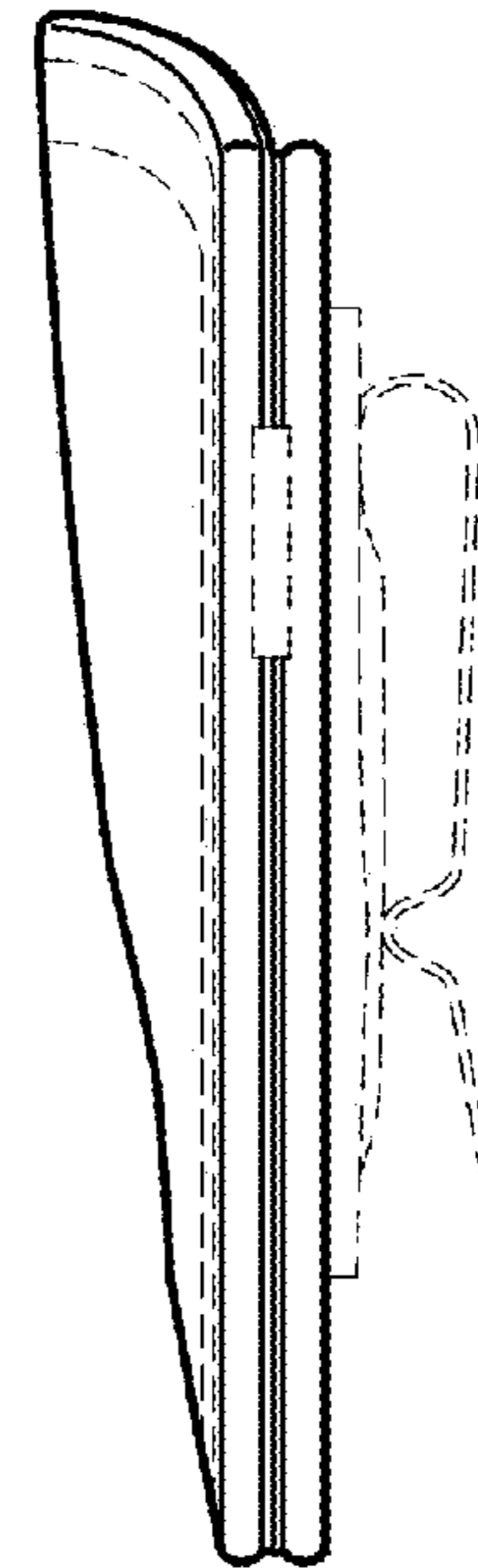




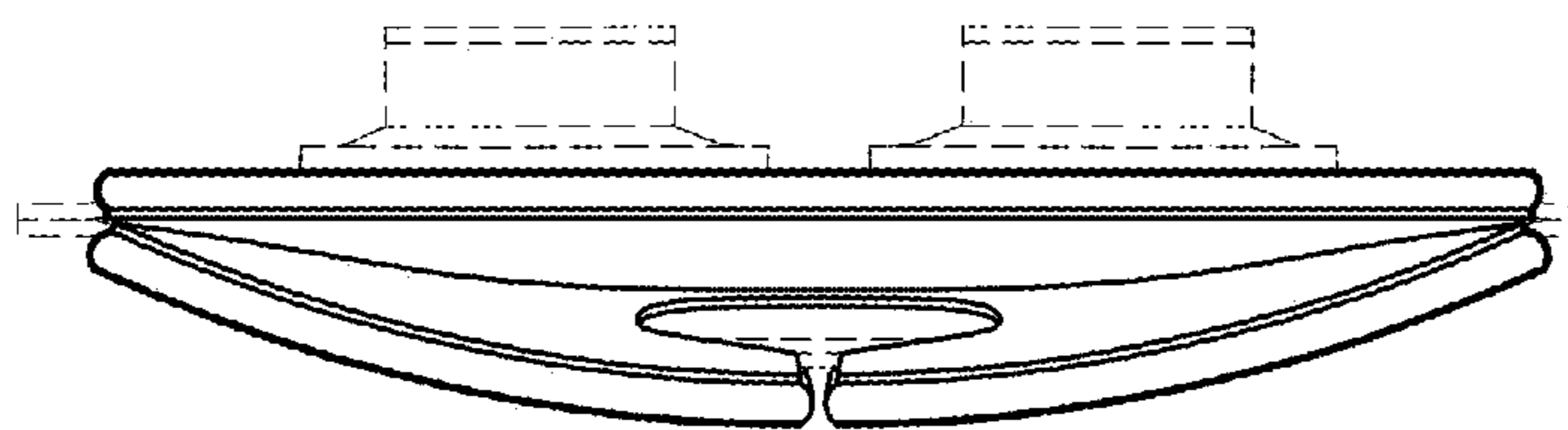
*Fig. 1*



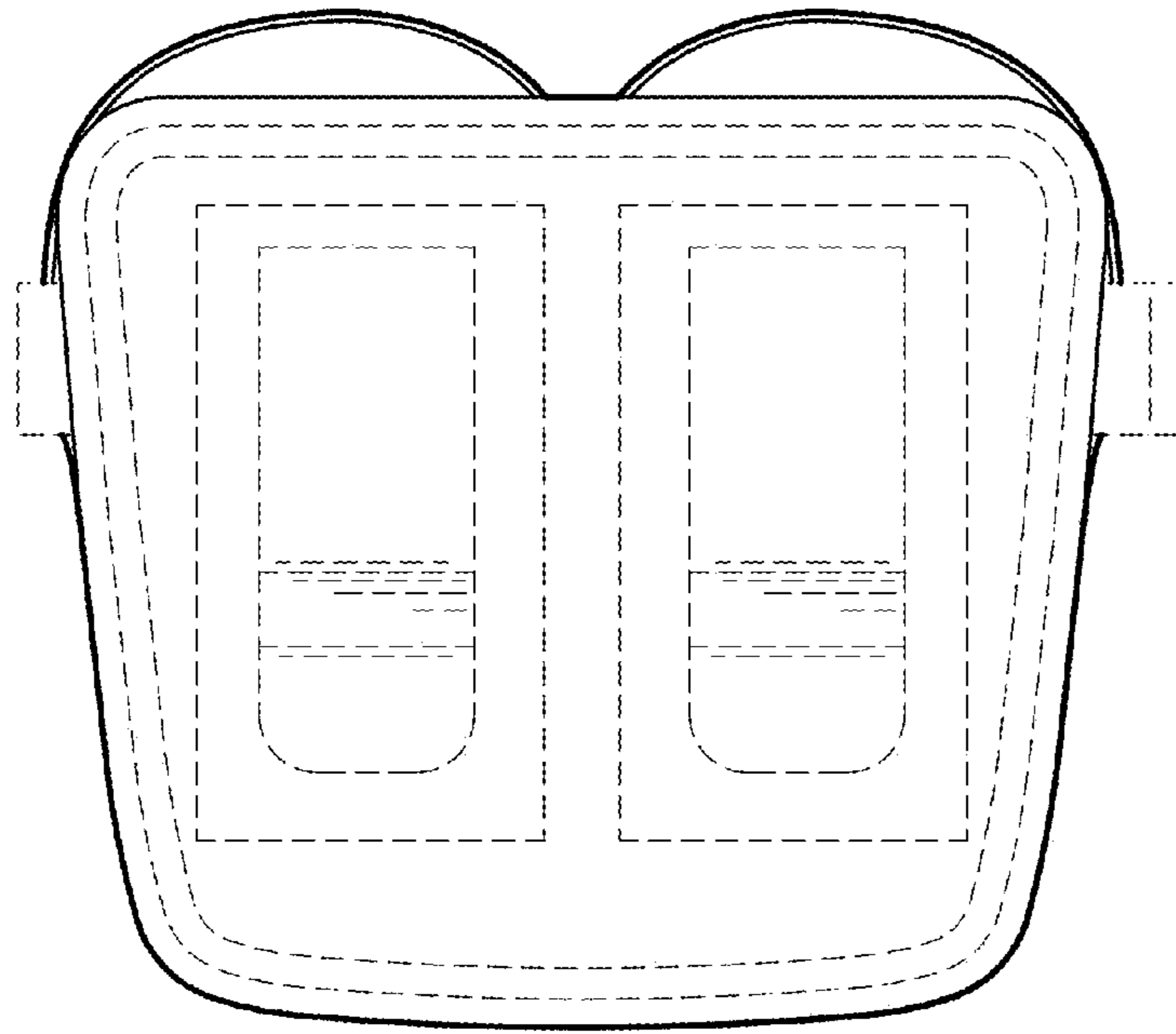
*Fig. 2*



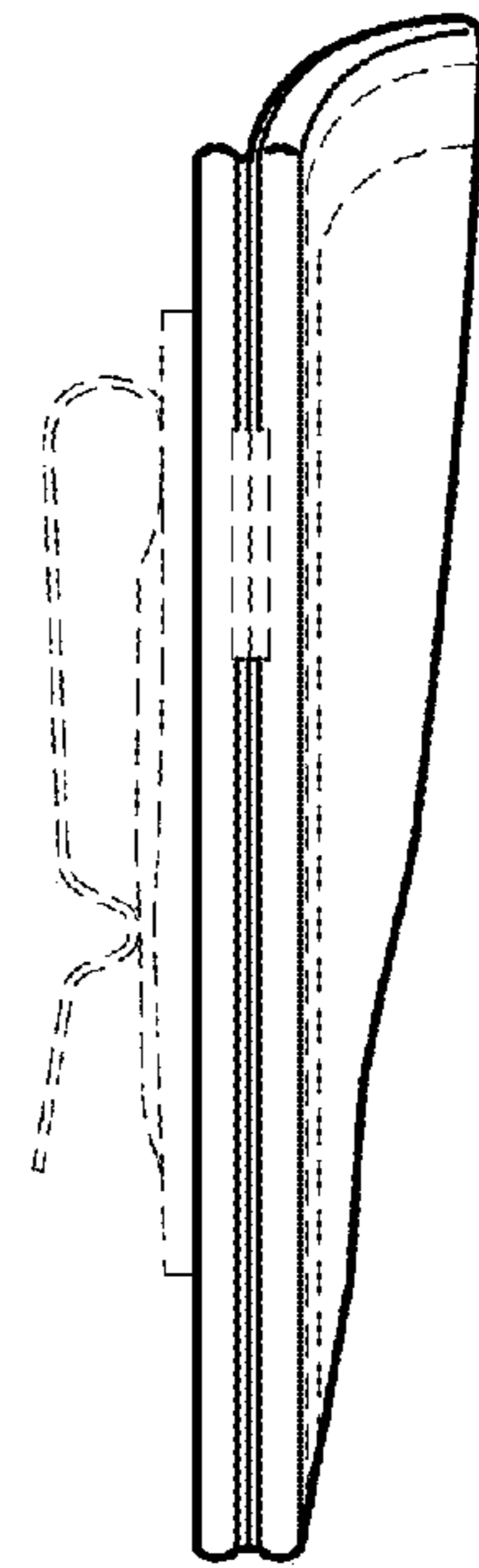
*Fig. 3*



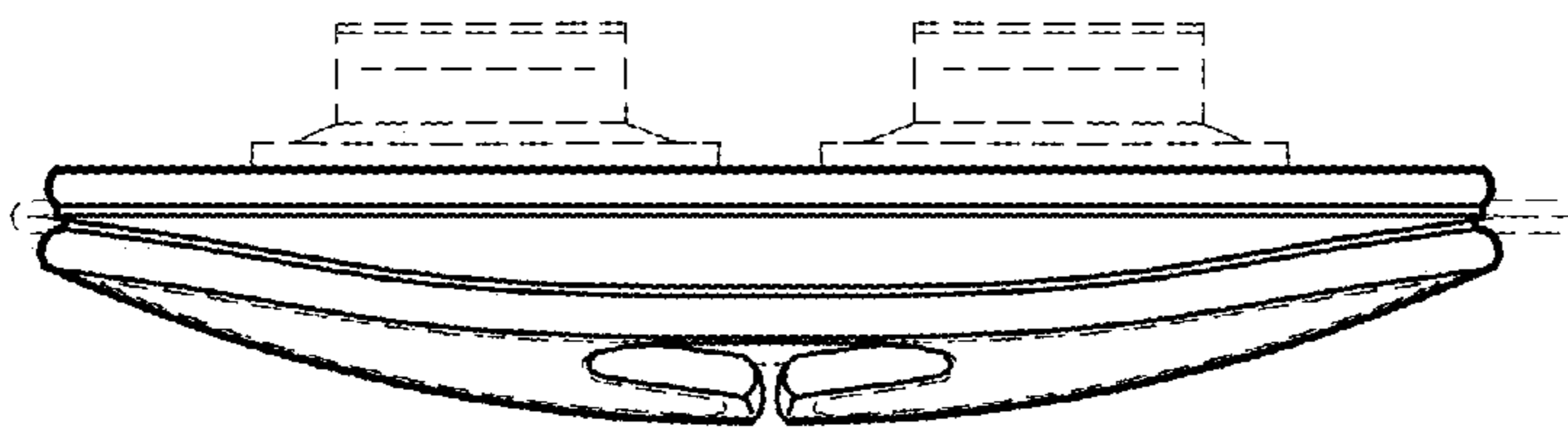
*Fig. 4*



*Fig. 5*



*Fig. 6*



*Fig. 7*