



US00D749314S

(12) **United States Design Patent**
Huang

(10) **Patent No.:** **US D749,314 S**

(45) **Date of Patent:** **** Feb. 16, 2016**

(54) **KEY RING**

(56)

References Cited

(71) Applicant: **HO E SCREW & HARDWARE CO., LTD.**, Taoyuan (TW)

(72) Inventor: **Joseph Huang**, Taoyuan (TW)

(73) Assignee: **HO E SCREW & HARDWARE CO., LTD.**, Taoyuan (TW)

(**) Term: **14 Years**

(21) Appl. No.: **29/509,779**

(22) Filed: **Nov. 21, 2014**

(30) **Foreign Application Priority Data**

Jun. 25, 2014 (TW) 103303740

(51) **LOC (10) Cl.** **03-01**

(52) **U.S. Cl.**
USPC **D3/207**

(58) **Field of Classification Search**
USPC D11/1-2, 14, 26-29, 89-92, 44, 48, 81,
D11/99; 63/26-28, 32; D3/207-212; D8/16,
D8/38, 347, 348; 70/456 B, 457, 458,
70/456 R; 206/37.1, 37; D14/434, 435,
D14/435.1, 436, 439, 480.3, 480.1, 480.5,
D14/480.7; D24/174, 173, 480.3
CPC A45C 11/32; A47G 29/10
See application file for complete search history.

U.S. PATENT DOCUMENTS

D357,114 S *	4/1995	MacDonald	D3/207
D359,844 S *	7/1995	MacDonald	D3/207
D359,845 S *	7/1995	MacDonald	D3/207
D359,846 S *	7/1995	MacDonald	D3/207
D378,707 S *	4/1997	MacDonald	D3/207
D489,888 S *	5/2004	Opolka	D3/207
D624,305 S *	9/2010	Downes	D3/207
D624,306 S *	9/2010	Case	D3/207
D640,263 S *	6/2011	Huang	D14/480.3
D672,361 S *	12/2012	Huang	D14/480.3
D709,513 S *	7/2014	Huang	D14/480.3

* cited by examiner

Primary Examiner — Ralf Seifert

(74) *Attorney, Agent, or Firm* — Guice Patents PLLC

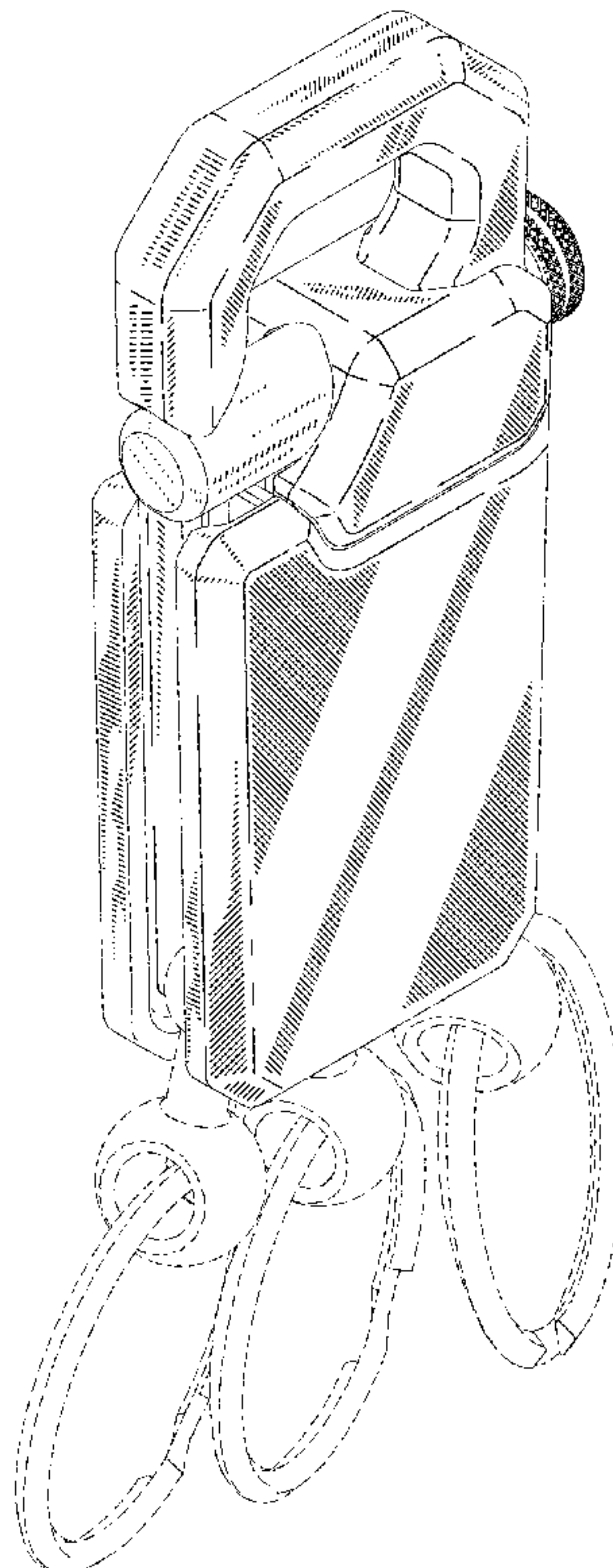
(57) **CLAIM**

The ornamental design for a key ring, as shown and described.

DESCRIPTION

FIG. 1 is a perspective view of a key ring showing my new design;
FIG. 2 is a front view thereof;
FIG. 3 is a rear view thereof;
FIG. 4 is a left side view thereof;
FIG. 5 is a right side view thereof;
FIG. 6 is a top view thereof;
FIG. 7 is a bottom view thereof; and,
FIG. 8 is a perspective view in use state thereof.
All broken lines shown in the drawings are for illustrative purposes only and form no part of the claimed design.

1 Claim, 7 Drawing Sheets



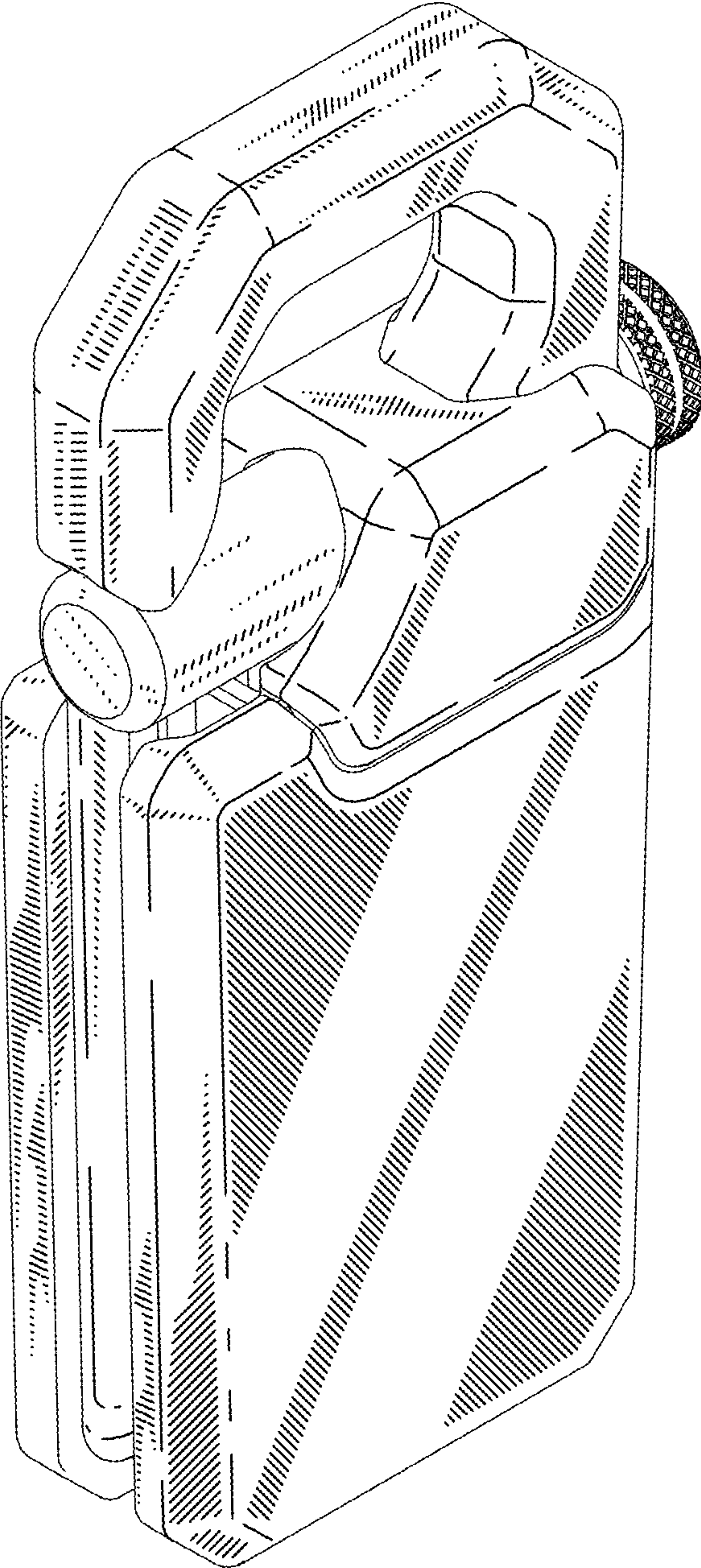


FIG. 1

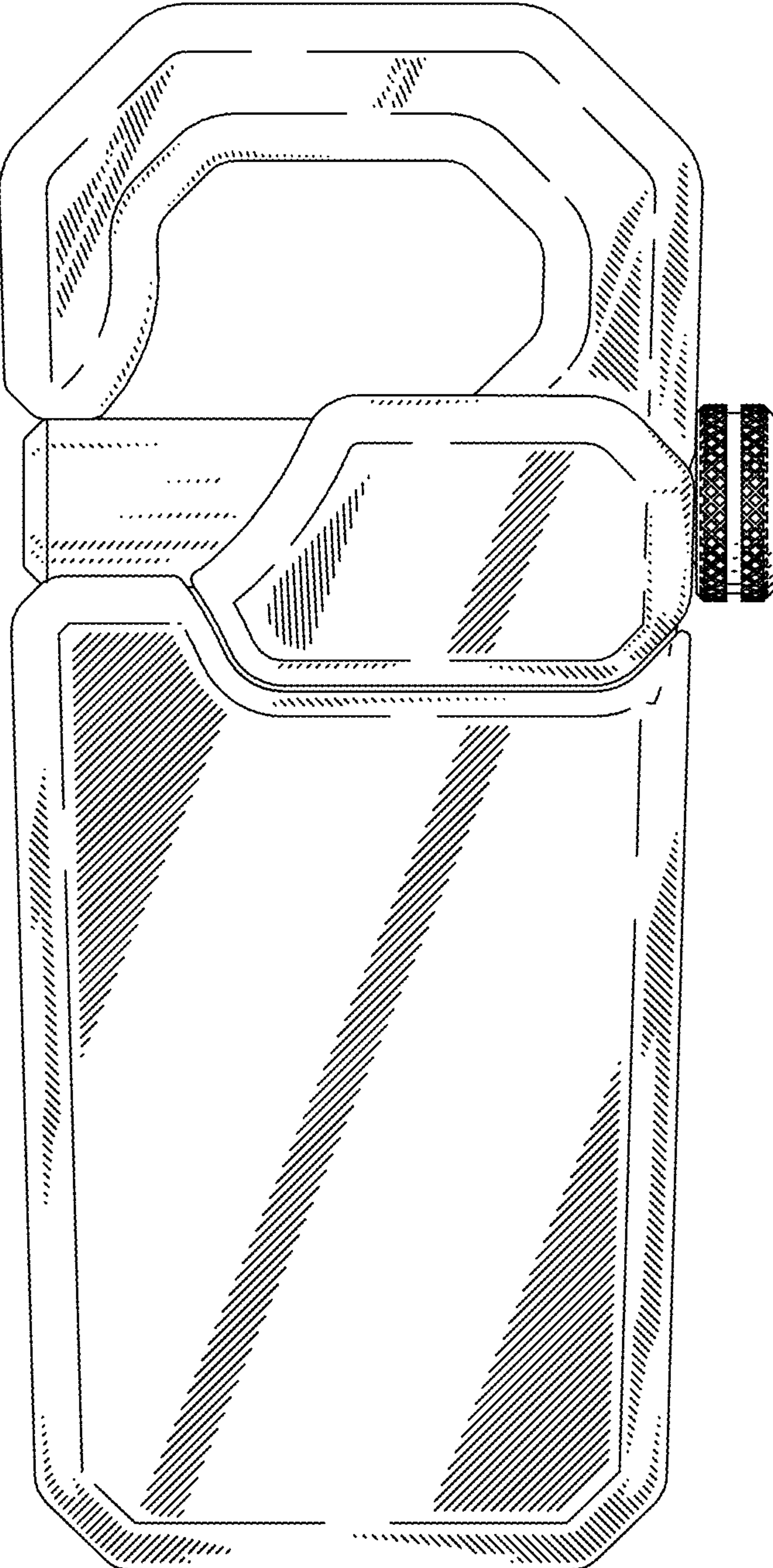


FIG. 2

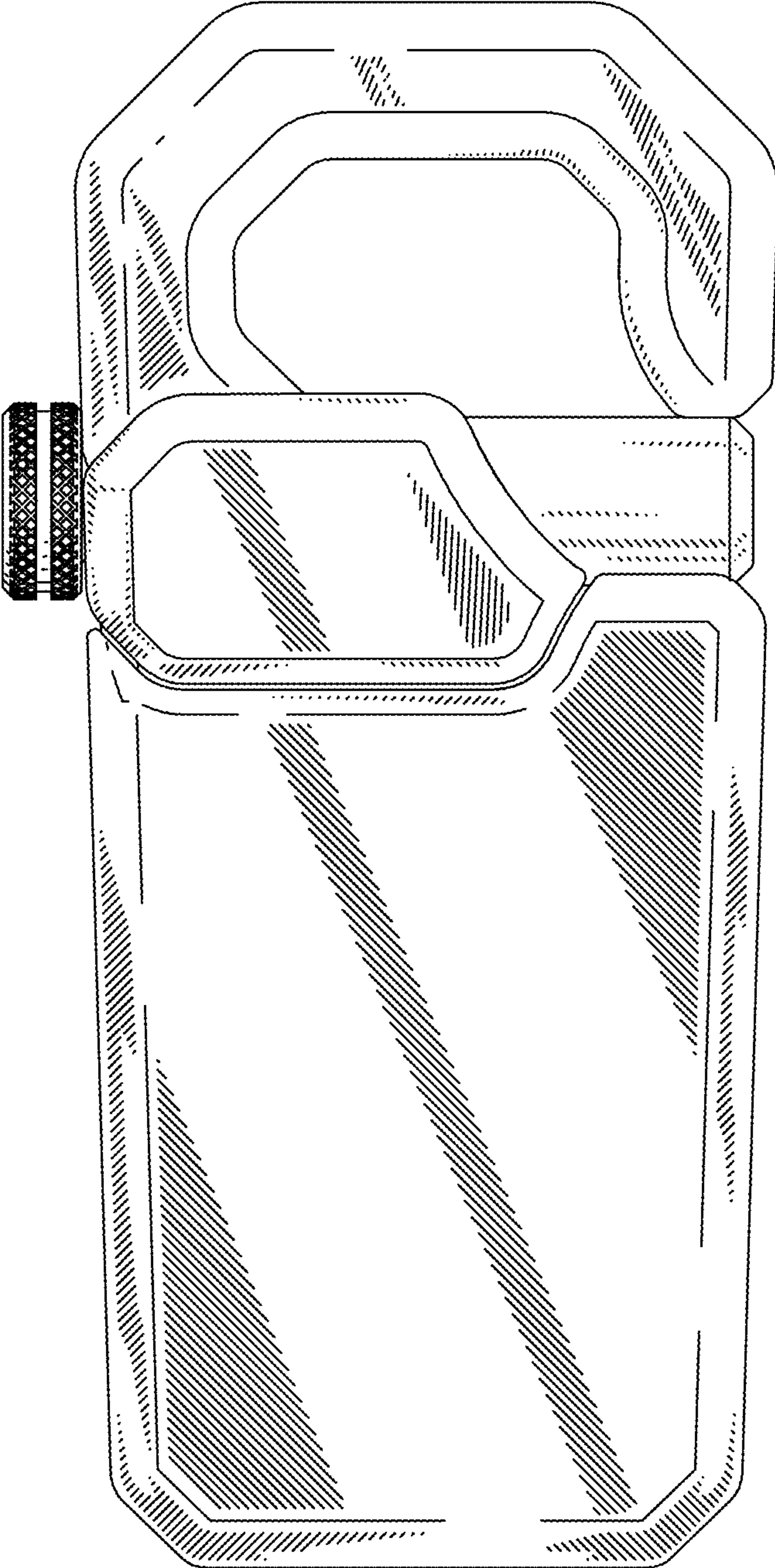


FIG. 3

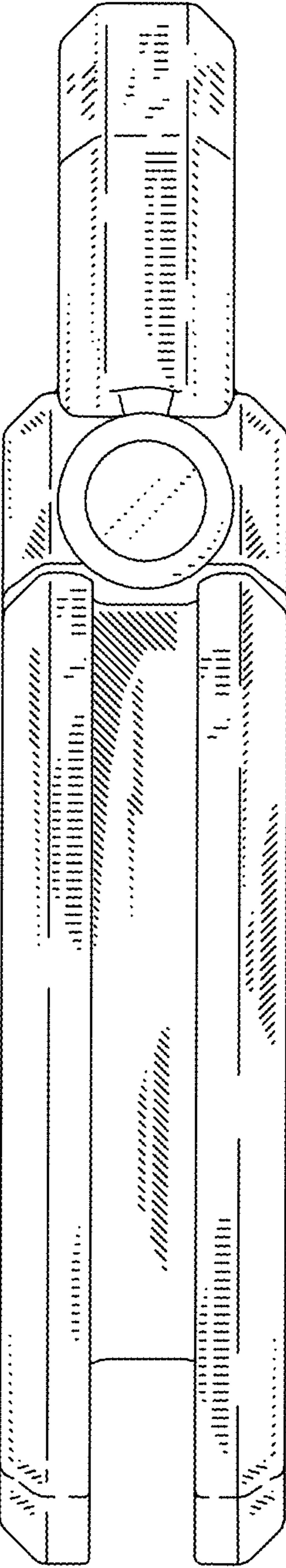


FIG. 4

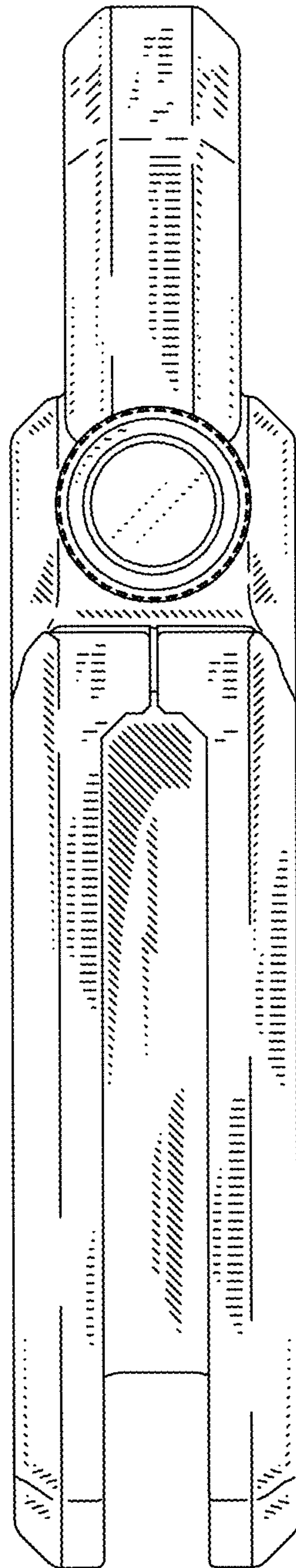


FIG. 5

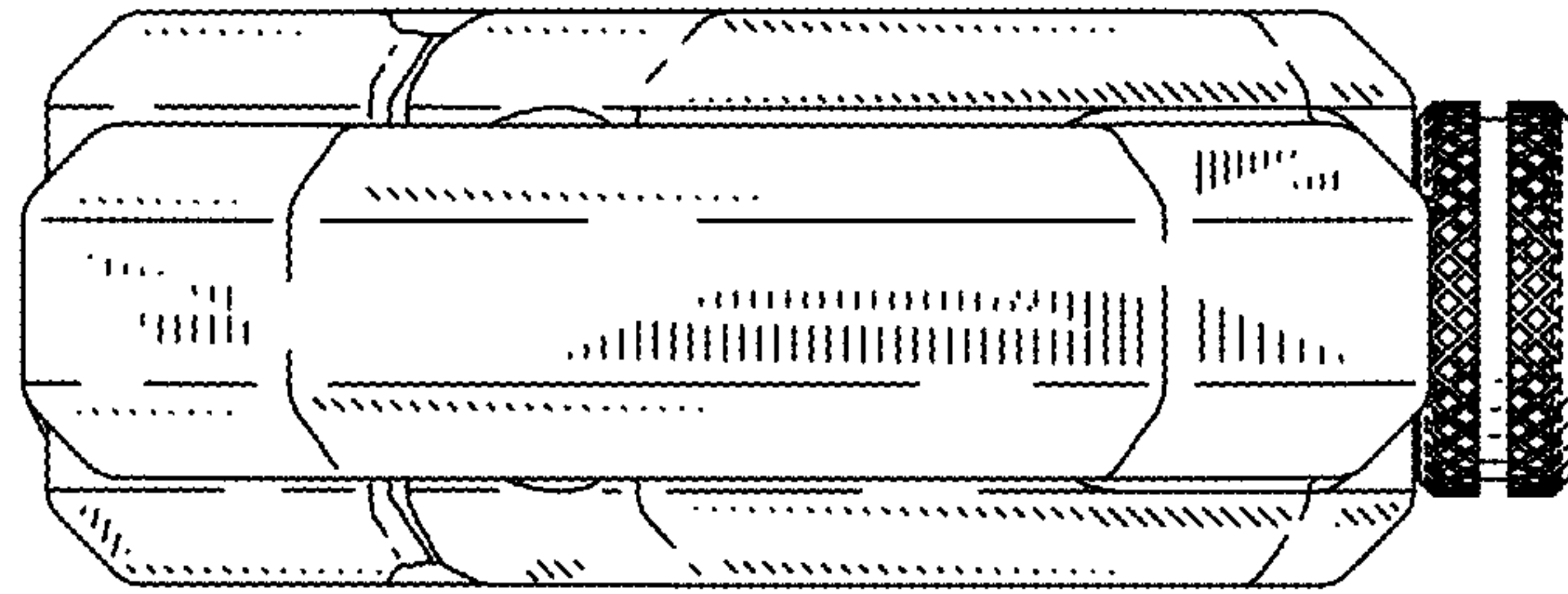


FIG. 6

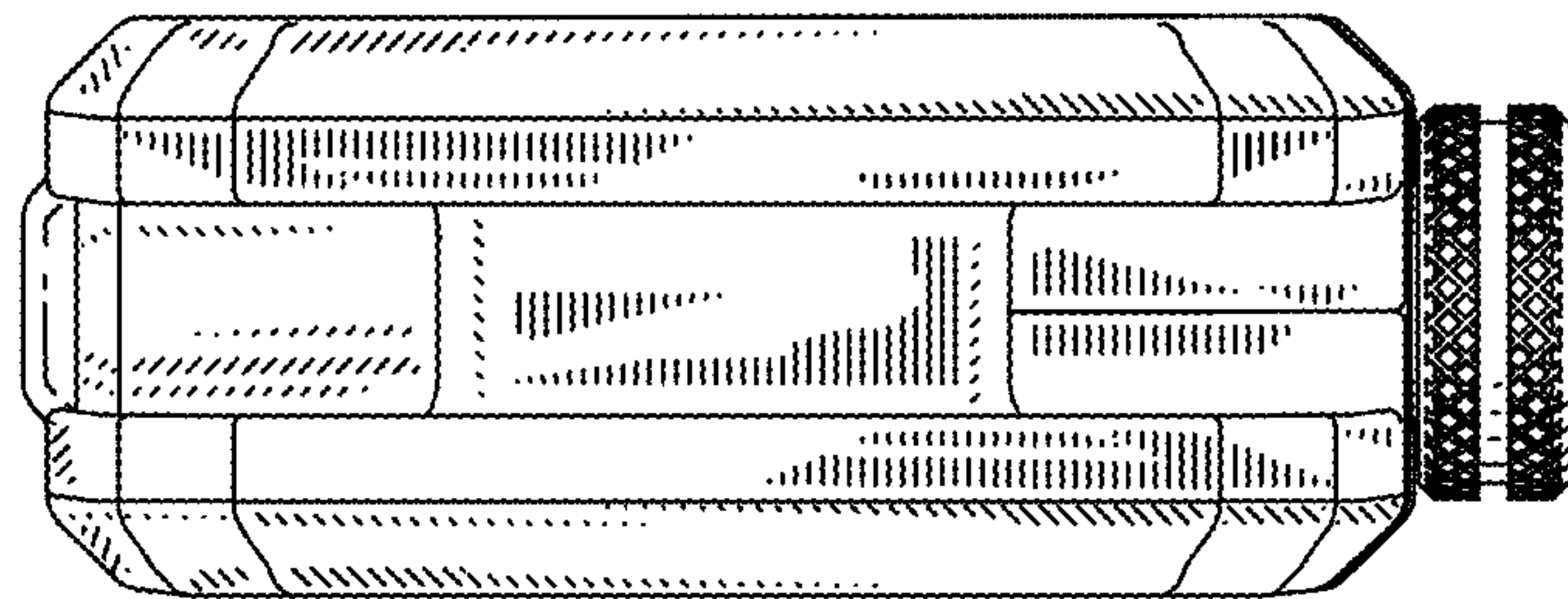


FIG. 7

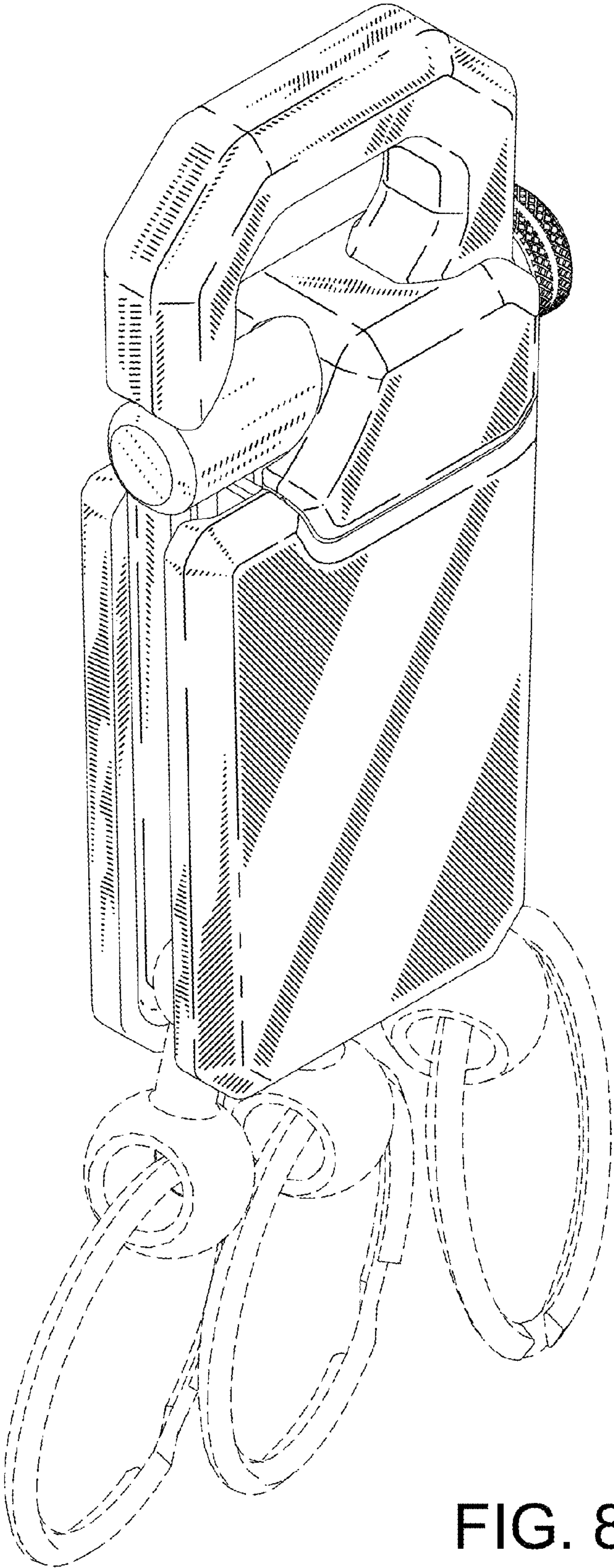


FIG. 8