

US00D749307S

(12) **United States Design Patent**
Denny

(10) **Patent No.:** **US D749,307 S**
(45) **Date of Patent:** **** Feb. 16, 2016**

- (54) **HAT**
- (71) Applicant: **Zina Ann Denny**, Sultan, WA (US)
- (72) Inventor: **Zina Ann Denny**, Sultan, WA (US)
- (**) Term: **14 Years**
- (21) Appl. No.: **29/507,662**
- (22) Filed: **Oct. 30, 2014**
- (51) **LOC (10) Cl.** **02-03**
- (52) **U.S. Cl.**
USPC **D2/891; D2/887**
- (58) **Field of Classification Search**
USPC D2/865, 866, 869, 872, 878, 879, 882,
D2/886, 887, 888
CPC A42B 1/00; A42B 1/004; A42B 1/02;
A42B 1/061; A42B 1/062; A42B 1/063;
A42B 1/12; A42B 1/201; A42B 1/225;
A42C 5/04
See application file for complete search history.

(56) **References Cited**

U.S. PATENT DOCUMENTS

- 31,724 A * 3/1861 Dowbledoy A42B 1/041
2/175.1
- 218,086 A * 7/1879 Edmond A42B 1/22
2/175.3
- 1,187,096 A * 6/1916 Reichard A42B 1/22
2/183
- 1,672,217 A 8/1927 Holmes
- 1,894,213 A * 1/1933 Ostolaza A42C 5/04
2/182.1
- 2,094,104 A * 9/1937 Lee A42B 1/02
2/175.9
- D153,538 S 9/1947 Moore
- 2,725,571 A 7/1953 Young
- D175,061 S 6/1955 Young
- D175,451 S 8/1955 Young
- 5,321,854 A 6/1994 Kronenberger
- D350,427 S 9/1994 Vig et al.
- 5,369,808 A 12/1994 Brewer et al.

- D359,383 S * 6/1995 Hutchinson D2/866
- 5,590,422 A 1/1997 Henderson
- 5,592,696 A 1/1997 Oliver
- 5,598,585 A 2/1997 Stroup
- D386,305 S 11/1997 Lau
- 5,713,083 A 2/1998 King
- D392,926 S 3/1998 Adelaar
- 5,799,334 A 9/1998 Griffith et al.
- D405,590 S 2/1999 Bartz
- 5,875,488 A 3/1999 Milani
- 5,933,872 A 8/1999 Lema
- D420,207 S 2/2000 Barton et al.
- D458,735 S * 6/2002 Cook D2/869
- 6,401,255 B1 6/2002 Douglas
- 6,421,838 B1 7/2002 Frank
- D470,643 S * 2/2003 Brown D2/886
- D474,326 S 5/2003 Williams
- 6,561,393 B1 * 5/2003 Cheng A42B 1/201
21/171.03
- D482,849 S 12/2003 Mansell et al.

(Continued)

Primary Examiner — Karen E. Eldridge Powers

Assistant Examiner — Jasmine Mlinarcik

(74) *Attorney, Agent, or Firm* — Gerard Carlson

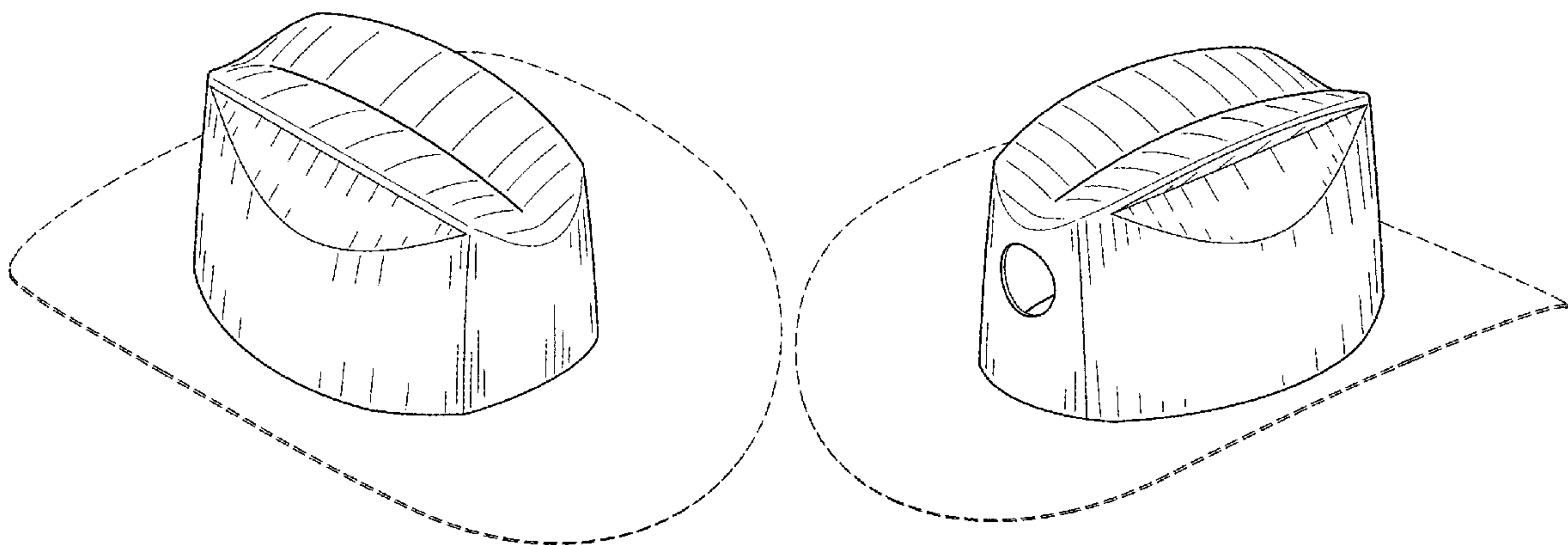
(57) **CLAIM**

The ornamental design for a hat, as shown and described.

DESCRIPTION

FIG. 1 is a right frontal perspective view of the hat;
 FIG. 2 is a right rear perspective view of the hat;
 FIG. 3 is a top plan view of the hat;
 FIG. 4 is a right side elevation view of the hat; the other side is a mirror image thereof and is not shown;
 FIG. 5 is a front elevation view of the hat; and,
 FIG. 6 is a rear elevation view of the hat.
 The hat is characterized by a distinctive crown and an opening.
 In FIGS. 1 through 5, the broken lines showing the brim of the hat are for the purpose of illustrating environmental structure only and form no part of the claimed design.

1 Claim, 3 Drawing Sheets



(56)

References Cited

U.S. PATENT DOCUMENTS

D513,988 S	1/2006	Malik	D624,286 S	9/2010	Hall	
7,143,451 B2	12/2006	Lundgren	D634,518 S	3/2011	Pike	
D538,513 S	3/2007	Serratelli	D637,378 S	5/2011	Cornwell	
D572,438 S	7/2008	Chun	7,945,971 B2	5/2011	Garza	
D577,879 S	10/2008	Jones	D654,252 S	2/2012	Denny	
7,454,799 B2	11/2008	Wuensche et al.	D654,254 S	2/2012	Denny	
D589,687 S	4/2009	Hoepfner	D661,060 S *	6/2012	Eveleth	D2/882
D604,930 S	12/2009	Denny	D661,062 S *	6/2012	Eveleth	D2/882
D605,380 S	12/2009	Denny	D665,561 S	8/2012	Denny	
D606,287 S	12/2009	Denny	D727,150 S *	4/2015	Leitch	D2/887
D615,282 S	5/2010	Shirley	2006/0010566 A1	1/2006	Ridgeway	
			2006/0191057 A1	8/2006	Lynn	
			2008/0092272 A1	4/2008	Vainio et al.	

* cited by examiner

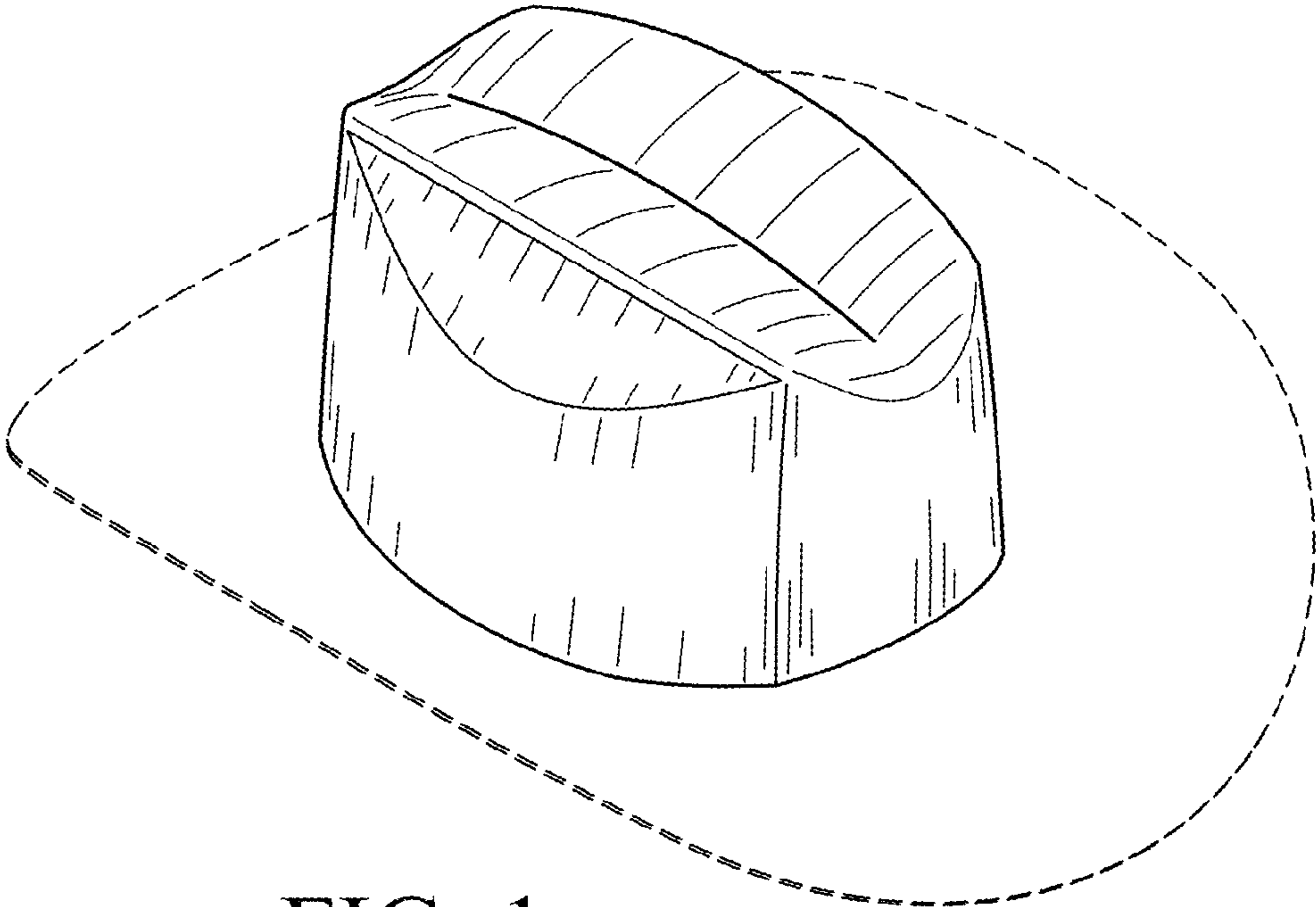


FIG. 1

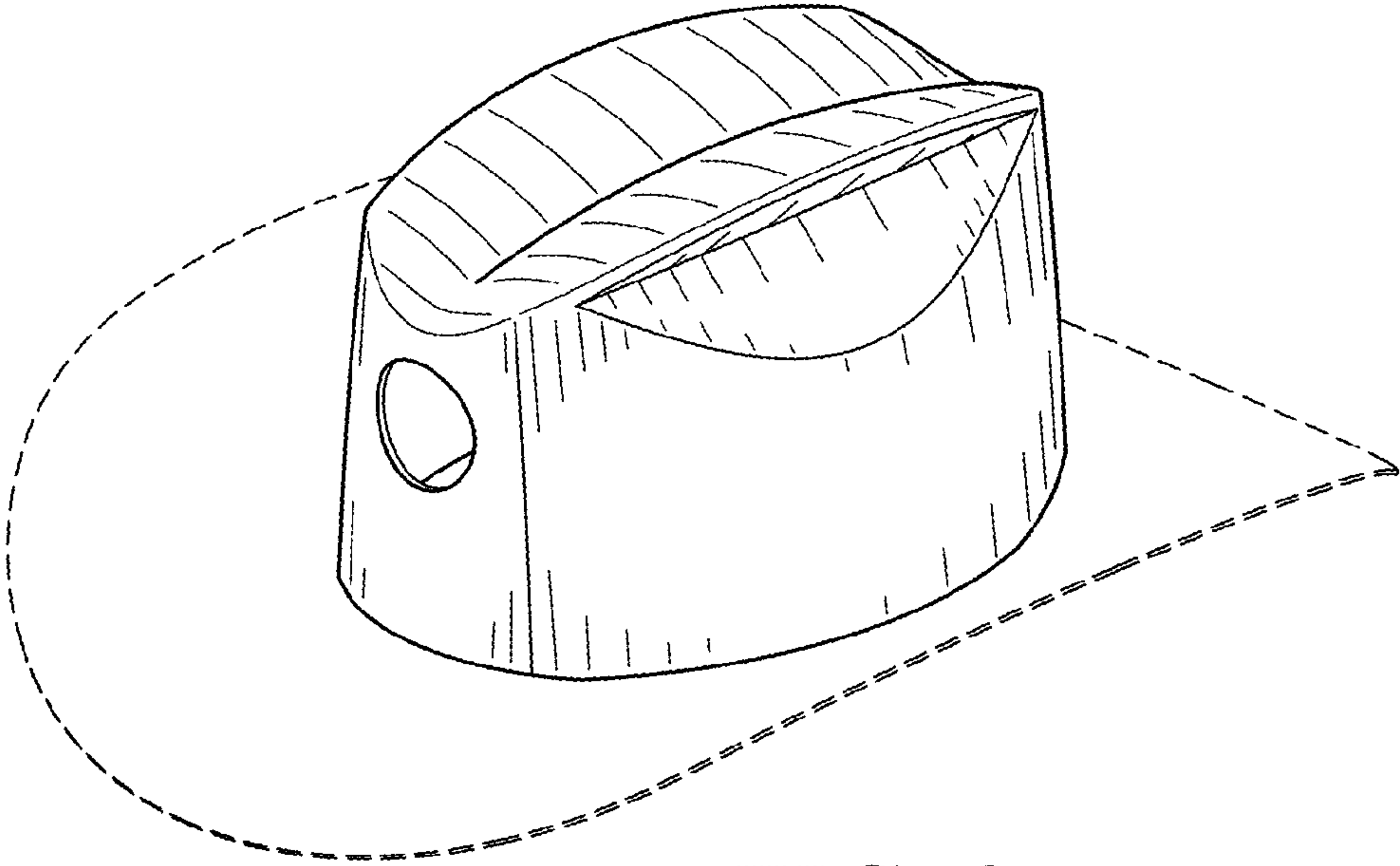


FIG. 2

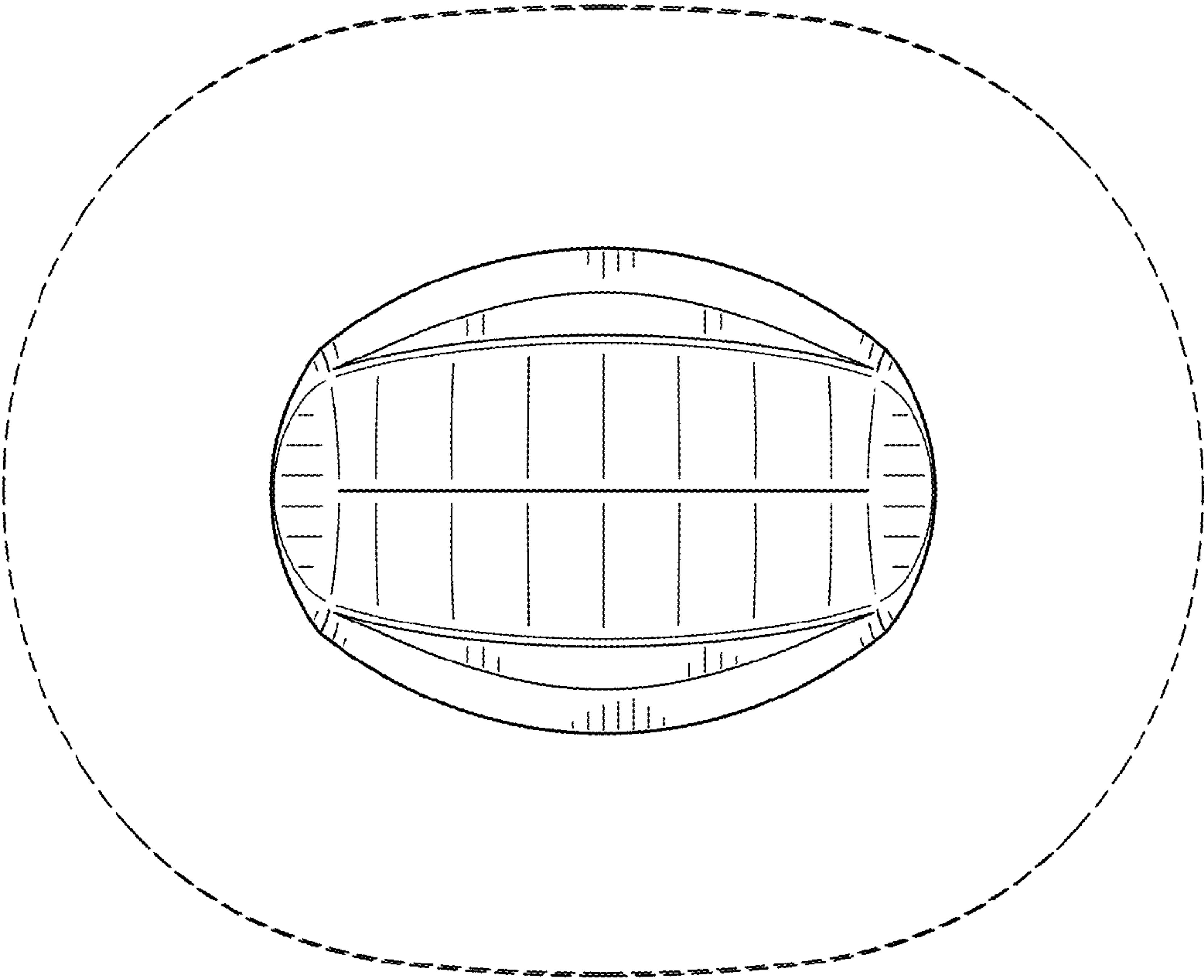


FIG. 3

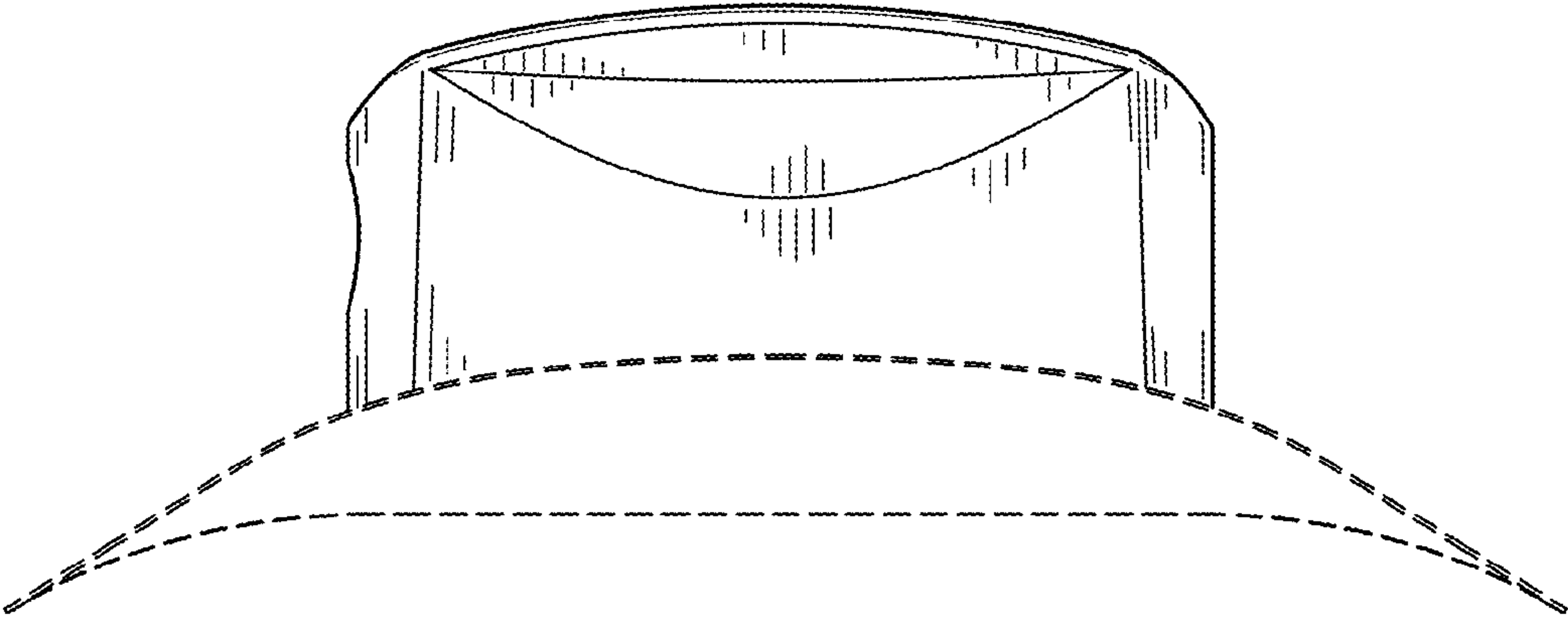


FIG. 4

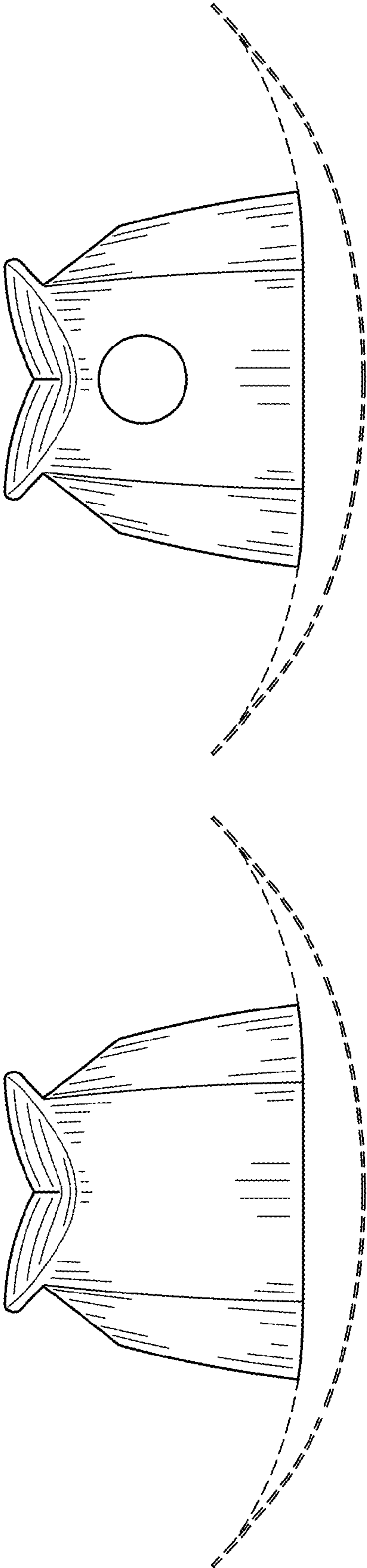


FIG. 6

FIG. 5