



US00D749303S

(12) **United States Design Patent**  
**York**

(10) **Patent No.:** **US D749,303 S**  
(45) **Date of Patent:** **\*\* Feb. 16, 2016**

(54) **HEAD VISOR WITH PLUG-IN ACCESSORY SOCKETS**

(71) Applicant: **Vizers Group, LLC**, Ocala, FL (US)

(72) Inventor: **Daniel York**, North Palm Beach, FL (US)

(73) Assignee: **Foamula Products, Inc.**, Wellington, FL (US)

(\*\*) Term: **14 Years**

(21) Appl. No.: **29/477,813**

(22) Filed: **Dec. 27, 2013**

**Related U.S. Application Data**

(63) Continuation-in-part of application No. 13/690,881, filed on Nov. 30, 2012, now Pat. No. 8,763,163.

(51) **LOC (10) Cl.** ..... **02-03**

(52) **U.S. Cl.**  
USPC ..... **D2/872**

(58) **Field of Classification Search**

USPC ..... D2/865, 866, 867, 868, 869, 870, 871, D2/872, 873, 874, 875, 876, 878, 879, 881, D2/882, 883, 884, 889, 890, 891, 892, 893, D2/894, 895; 2/195.6, 209.13, 10, 12, 171, 2/181, 422, 410, 425, 15, 431, 453, 454, 2/175.6, 195.1, 411  
CPC ..... A42B 1/062; A42B 4/063; A42B 1/064; A42B 3/222; A42B 3/226; A42B 3/227  
See application file for complete search history.

(56) **References Cited**

**U.S. PATENT DOCUMENTS**

D104,652 S 6/1870 Scribner  
729,500 A \* 5/1903 Mahony ..... G02C 7/16  
2/12

(Continued)

**FOREIGN PATENT DOCUMENTS**

JP 2010229609 10/2010

**OTHER PUBLICATIONS**

Vizers hats designed specially for attractions (on-line), dated Feb. 15, 2013. Retrieved from Internet May 15, 2015, URL: <http://www.attractionsmanagement.com/detail.cfm?Pagetype=detail&subject=product&codeID=304390> (1 page).\*

(Continued)

*Primary Examiner* — Karen E. Eldridge Powers

*Assistant Examiner* — Kimberly Barnes

(74) *Attorney, Agent, or Firm* — Brian S. Steinberger; Law Offices of Brian S. Steinberger, P.A.

(57) **CLAIM**

The ornamental design for head visor with plug-in accessory sockets, as shown and described.

**DESCRIPTION**

FIG. 1 is an upper front left perspective view of the head visor with plug-in accessory sockets.

FIG. 2 is an upper rear right perspective view of the design as shown in FIG. 1;

FIG. 3 is a lower rear left perspective view of the design as shown in FIG. 1;

FIG. 4 is a lower front right perspective view of the design as shown in FIG. 1;

FIG. 5 is a front elevation view of the design as shown in FIG. 1;

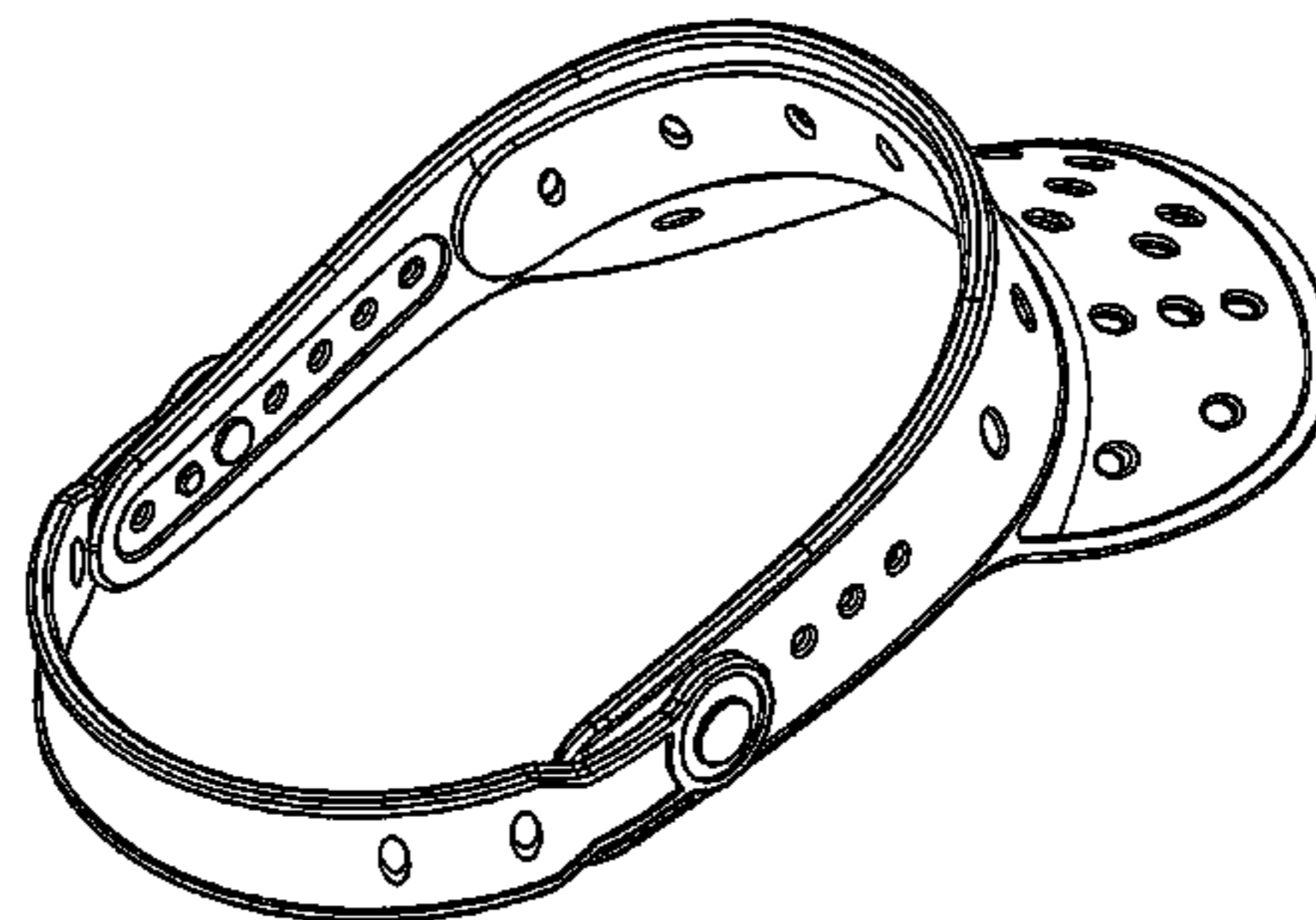
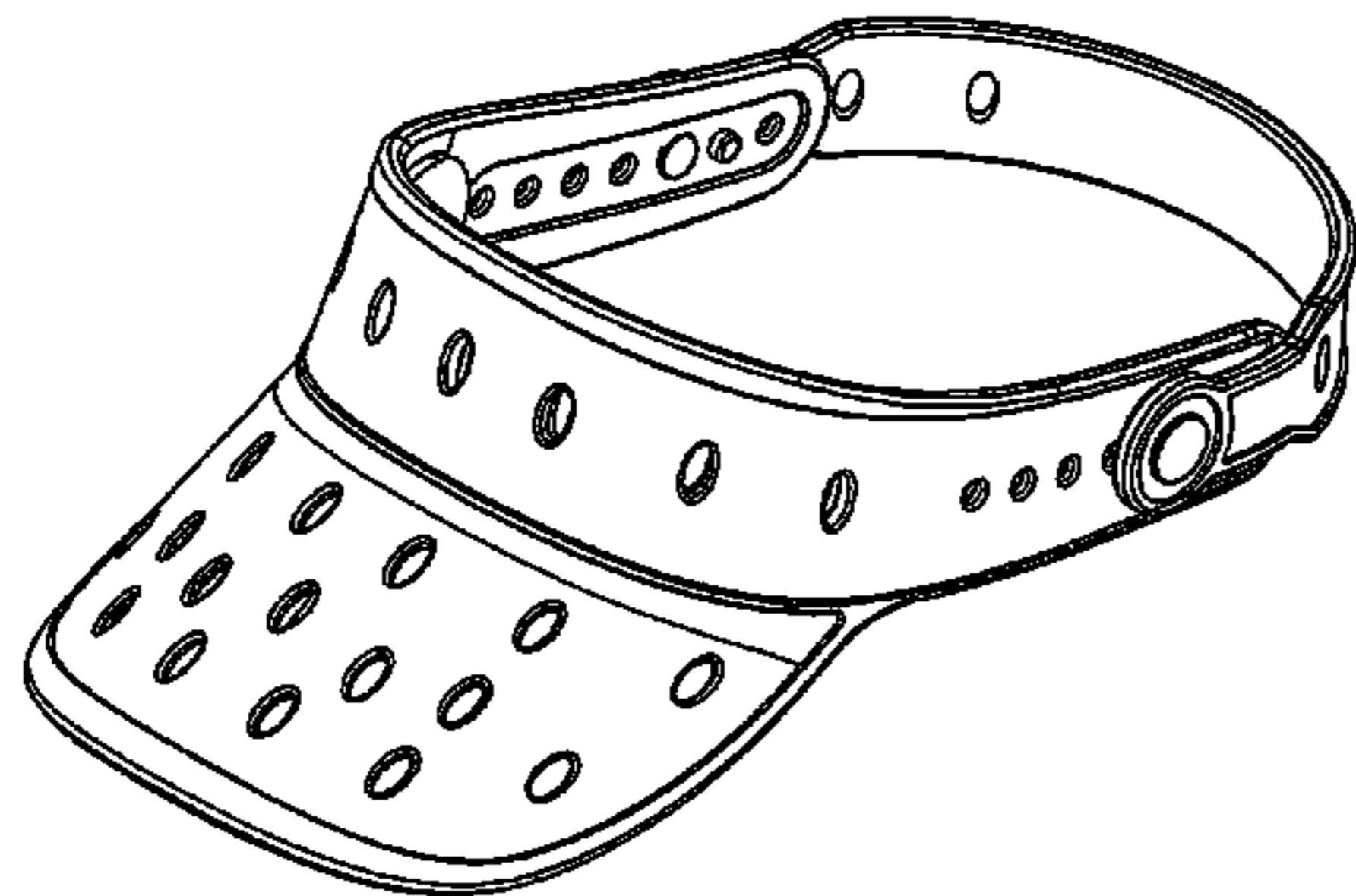
FIG. 6 is a rear elevation view of the design as shown in FIG. 1;

FIG. 7 is a right side elevation view of the design as shown in FIG. 1;

FIG. 8 is a left side elevation view of the design as shown in FIG. 1;

FIG. 9 is a top plan view of the design as shown in FIG. 1; and, FIG. 10 is a bottom plan view of FIG. 1.

**1 Claim, 5 Drawing Sheets**



(56)

References Cited

U.S. PATENT DOCUMENTS

757,854 A \* 4/1904 Wickersham ..... G02C 7/16  
2/12  
1,190,427 A 7/1916 Kromer  
1,435,533 A \* 11/1922 Knackstedt ..... G02C 5/124  
2/12  
1,452,305 A \* 4/1923 Mahony ..... A61F 9/045  
2/12  
1,506,815 A 9/1924 Cormay  
1,624,727 A 1/1927 Goldberg  
1,782,206 A 11/1930 Kornsweet  
2,160,513 A 5/1939 Pasternak  
2,406,598 A \* 8/1946 Flood ..... A61F 9/025  
2/12  
2,748,517 A 6/1956 Berkis  
2,908,012 A 10/1959 Feldman  
2,968,812 A \* 1/1961 Vivolo ..... A61F 9/045  
2/12  
3,484,974 A 12/1969 Culmone  
3,491,374 A \* 1/1970 Frangos ..... A42B 3/28  
2/171.3  
3,551,911 A 1/1971 Holden  
3,849,839 A 11/1974 Zimmer  
4,168,542 A 9/1979 Small  
4,292,689 A 10/1981 Townsend  
D266,712 S 11/1982 Van Valkenburgh  
4,507,344 A 3/1985 Baughman  
4,551,860 A 11/1985 Smit  
D282,308 S 1/1986 Kain  
4,611,355 A 9/1986 Galanto  
4,612,672 A 9/1986 Schrack  
4,736,469 A 4/1988 Boretti  
4,776,043 A 10/1988 Coleman  
4,837,960 A 6/1989 Skaja  
4,845,786 A 7/1989 Chiarella  
4,873,726 A 10/1989 Tapia  
4,918,758 A 4/1990 Rendina  
5,003,640 A 4/1991 Pizzacar  
5,070,545 A 12/1991 Tapia  
5,117,506 A 6/1992 Byrnes  
5,136,726 A 8/1992 Kellin  
5,142,706 A 9/1992 Layhon  
5,276,985 A 1/1994 Halloran  
5,282,278 A 2/1994 Miner  
D345,447 S \* 3/1994 Lapsker ..... D2/876  
5,328,399 A 7/1994 Reynolds  
5,359,734 A 11/1994 Rathburn  
5,410,761 A 5/1995 Connelly  
5,418,981 A 5/1995 Miner  
5,428,842 A 7/1995 Wise  
5,437,064 A 8/1995 Hamaguchi  
5,442,817 A 8/1995 Miner  
5,452,479 A 9/1995 Mostert  
5,477,629 A 12/1995 Gleason  
5,509,144 A 4/1996 Soergel  
5,510,961 A \* 4/1996 Peng ..... A42B 1/242  
2/209.12  
5,647,060 A 7/1997 Lee  
5,673,501 A 10/1997 Mathews  
5,713,083 A 2/1998 King  
5,718,559 A 2/1998 Freund  
5,734,991 A 4/1998 Schmid  
5,742,944 A 4/1998 Pfefferman  
D394,136 S 5/1998 Richlin  
5,754,983 A 5/1998 Landers  
5,773,118 A 6/1998 Eisenpresser  
5,790,988 A 8/1998 Guadagnino  
5,794,267 A 8/1998 Wallace  
5,803,266 A 9/1998 Blackwelder  
5,826,278 A 10/1998 King  
5,839,211 A 11/1998 Pallera  
5,845,334 A 12/1998 Marcolini  
5,887,287 A 3/1999 Potochnik  
D410,134 S 5/1999 Wolken  
5,901,370 A 5/1999 Linday  
5,901,381 A 5/1999 Nelson

5,983,400 A 11/1999 Kronenberger  
6,012,203 A 1/2000 Baron  
6,038,702 A 3/2000 Knerr  
6,038,704 A 3/2000 Crescentini  
6,044,495 A 4/2000 Ellman  
6,158,054 A 12/2000 Perry  
6,161,224 A 12/2000 Tuetken  
6,175,963 B1 1/2001 Loeffelholz  
6,237,159 B1 5/2001 Martin  
6,256,794 B1 7/2001 Erickson  
6,279,167 B1 8/2001 Johnson  
6,305,028 B1 10/2001 Lin  
6,317,896 B1 11/2001 Timms  
6,341,380 B1 1/2002 Coleman  
6,349,415 B1 2/2002 Gong  
D457,298 S 5/2002 Rowland  
6,381,754 B1 5/2002 Ezenekwe  
6,389,608 B1 5/2002 Williams  
D460,604 S 7/2002 Sullivan  
6,412,151 B1 7/2002 Rowland  
6,460,193 B1 10/2002 Di Palma  
6,513,167 B1 2/2003 Cheng  
6,519,779 B1 2/2003 Taguchi  
6,675,512 B1 1/2004 Shwartz  
6,718,559 B1 4/2004 Davidson  
6,769,139 B1 8/2004 Goldkind  
6,802,140 B2 10/2004 Aslanides  
D501,705 S \* 2/2005 Hathaway ..... D2/869  
6,993,858 B2 \* 2/2006 Seamans ..... A43B 1/0081  
36/11.5  
D517,789 S \* 3/2006 Seamans ..... D2/969  
7,089,691 B1 8/2006 Silvera  
D530,486 S 10/2006 Ruttan  
7,178,364 B2 2/2007 Shapiro  
7,182,478 B2 2/2007 Marston  
7,200,959 B2 4/2007 Spann  
D543,014 S 5/2007 Sharpe  
D545,032 S \* 6/2007 Wolf ..... D2/923  
D545,033 S \* 6/2007 Wolf ..... D2/926  
7,243,377 B2 7/2007 Ashy  
D558,955 S 1/2008 Taylor  
D566,904 S \* 4/2008 Verhaeghe ..... D29/122  
D567,483 S \* 4/2008 Liow ..... D2/896  
7,350,274 B2 4/2008 Rogers  
D571,082 S \* 6/2008 Kelleghan ..... D2/872  
7,389,567 B2 6/2008 Rogers  
D579,606 S 10/2008 Scholl  
D592,835 S \* 5/2009 Wilson ..... D2/893  
D593,285 S 6/2009 Olivo  
D601,329 S 10/2009 Johns  
D603,584 S \* 11/2009 Porter ..... D2/865  
D604,484 S \* 11/2009 Lauro ..... D2/946  
D606,288 S 12/2009 Thorne  
7,640,636 B2 1/2010 Clark  
7,698,836 B2 4/2010 Schmelzer  
D618,128 S 6/2010 Clark  
D619,336 S 7/2010 Eyl  
D620,235 S 7/2010 Kronenberger  
7,765,618 B2 8/2010 Egglesfield  
D625,052 S 10/2010 Mastoras  
7,891,117 B2 \* 2/2011 Sack ..... A43B 3/0078  
36/1  
8,001,661 B2 8/2011 Clark  
8,011,206 B2 9/2011 Imai  
8,069,538 B2 12/2011 Wilcox  
D654,052 S 2/2012 Lee  
8,112,963 B2 2/2012 Johnson  
8,122,519 B2 2/2012 Schmelzer  
D672,535 S 12/2012 Phan  
8,443,971 B1 5/2013 Green  
8,453,267 B1 6/2013 Stanley  
8,617,683 B2 12/2013 Johnson  
8,627,516 B2 1/2014 Evans  
8,763,163 B1 7/2014 Johns  
2002/0118533 A1 \* 8/2002 Marston ..... A42B 1/242  
362/106  
2004/0019953 A1 2/2004 Galimant  
2004/0034903 A1 2/2004 Blair  
2004/0093658 A1 5/2004 Jackson

(56)

References Cited

OTHER PUBLICATIONS

U.S. PATENT DOCUMENTS

2004/0117894	A1	6/2004	Kuo	
2005/0198725	A1	9/2005	Mollo	
2005/0273906	A1	12/2005	Kim	
2006/0007668	A1	1/2006	Chien	
2006/0152671	A1	7/2006	Risso	
2007/0006502	A1	1/2007	Schmelzer	
2007/0084019	A1	4/2007	Wilcox	
2008/0060110	A1	3/2008	Schmelzer	
2008/0141440	A1	6/2008	Taylor	
2008/0263839	A1*	10/2008	Stillwell	..... A42B 1/248 24/713.6
2009/0025113	A1*	1/2009	Kelleghan	..... A42B 1/24 2/12
2009/0101162	A1*	4/2009	Hsu	..... A45D 8/36 132/273
2010/0064419	A1	3/2010	Lee	
2010/0229609	A1	9/2010	Bergmann	
2011/0078843	A1	4/2011	Kennedy	
2011/0094015	A1	4/2011	Braun	
2012/0304691	A1	12/2012	Braun	
2013/0318688	A1	12/2013	Cherin	
2014/0137311	A1*	5/2014	Sandoval	..... A42B 1/063 2/181

Logo Mark by Vizers Group, LLC (on-line), trademark registration filed Jan. 22, 2014. Retrieved from Internet May 15, 2015, URL: <http://www.trademarkia.com/logo-86171739.html> (3 pages).\*

Vizers At Surf Expo (on-line), posted on Facebook Sep. 13, 2013. Retrieved from Internet Aug. 11, 2015, URL: <https://www.facebook.com/myvizer/photos/pb.608478422509824.-2207520000.1439302702./647962368561429/?type=3&theatre> (1 page).\*

Vizers Soft—Colorful—Comfortable . . . and they Float! (on-line), dated Mar. 15, 2012. Retrieved from Internet May 15, 2015, URL: <https://web.archive.org/web/20120315105657/http://www.vizers.com/> (1 page).\*

Jibbitz, Create Your Story, Jibbitz Shoe Charms, Crocs, Inc. (on-line), dated Nov. 22, 2012. Retrieved from Internet Sep. 24, 2015, URL: [web.archive.org/web/20121122050435/http://www.crocs.com/crocs-jibbitz-compatible-crocs/jibbitz-compatible-crocs,default,sc.html?](http://web.archive.org/web/20121122050435/http://www.crocs.com/crocs-jibbitz-compatible-crocs/jibbitz-compatible-crocs,default,sc.html?) (1 page).\*

Vizers Group, LLC, Interational Search Report mailed Feb. 24, 2014 for serial No. PCT/US2013/069220 filed on Nov. 8, 2013, 13 pages.

Vizers Group, LLC, PCT Patent Application No. PCT/US2013/069220 filed Nov. 8, 2013, Notification Concerning Transmittal of International Preliminary Report on Patentability mailed Jun. 11, 2015, 10 pages.

\* cited by examiner

FIG. 1

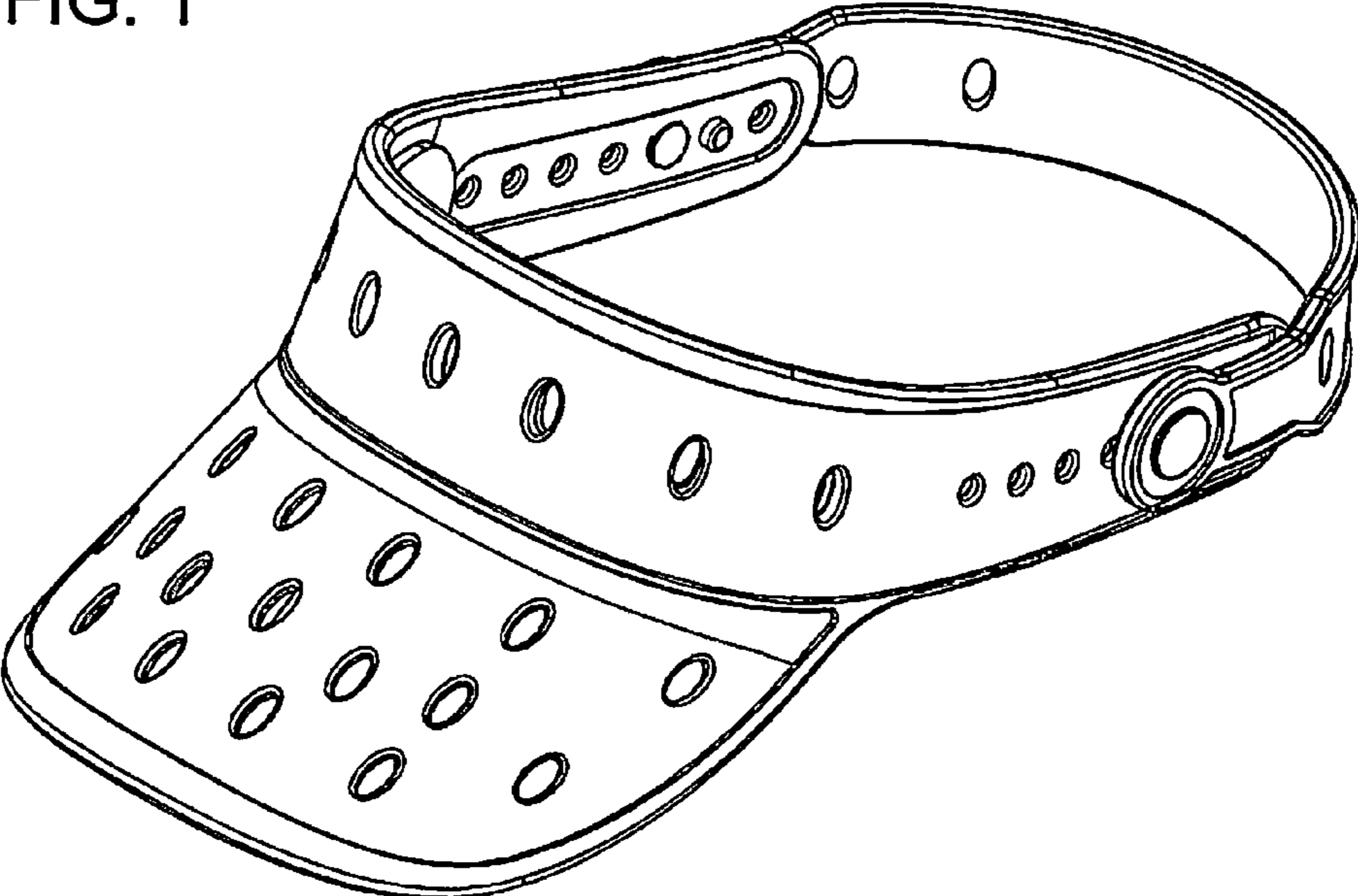


FIG. 2

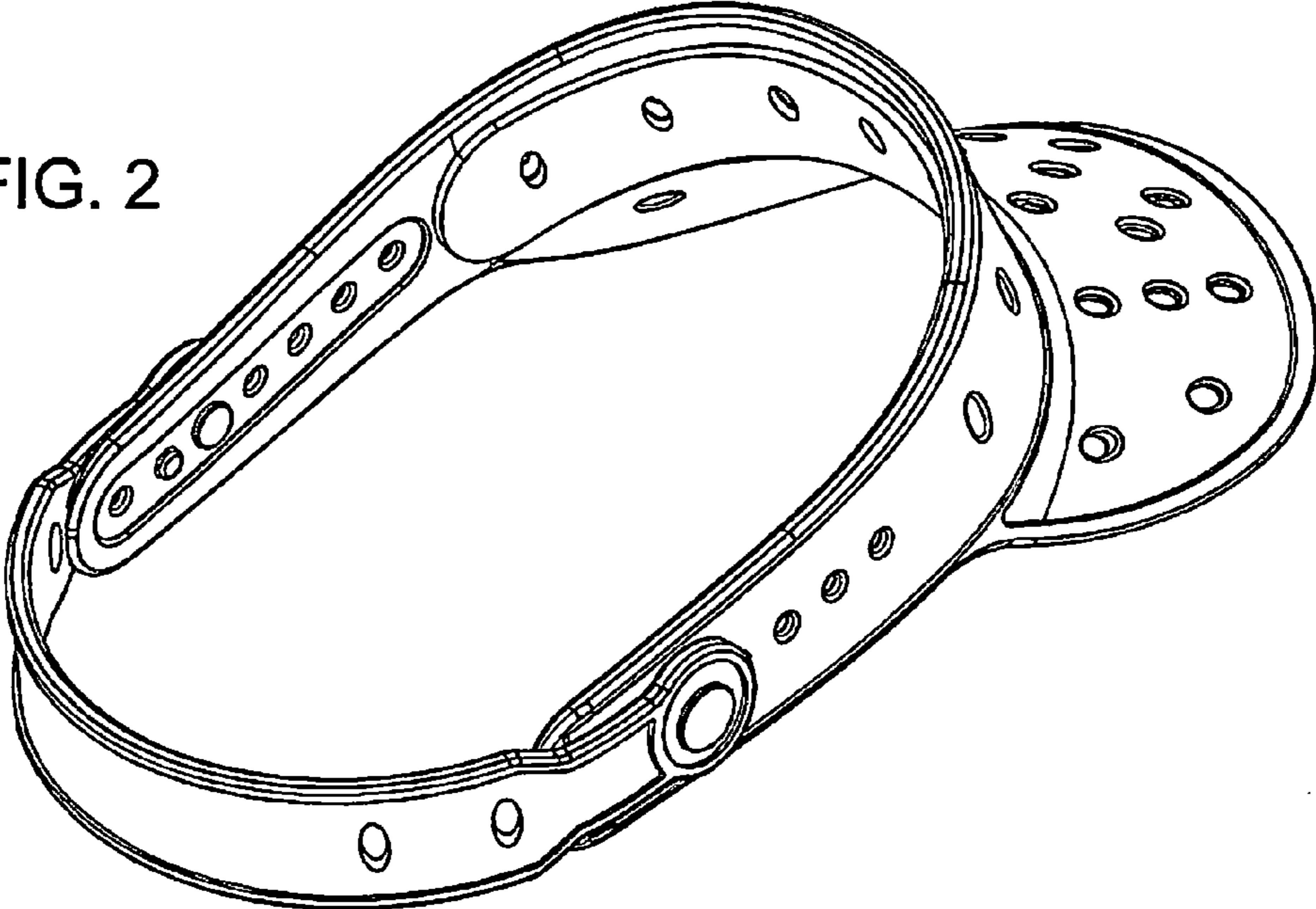


FIG. 3

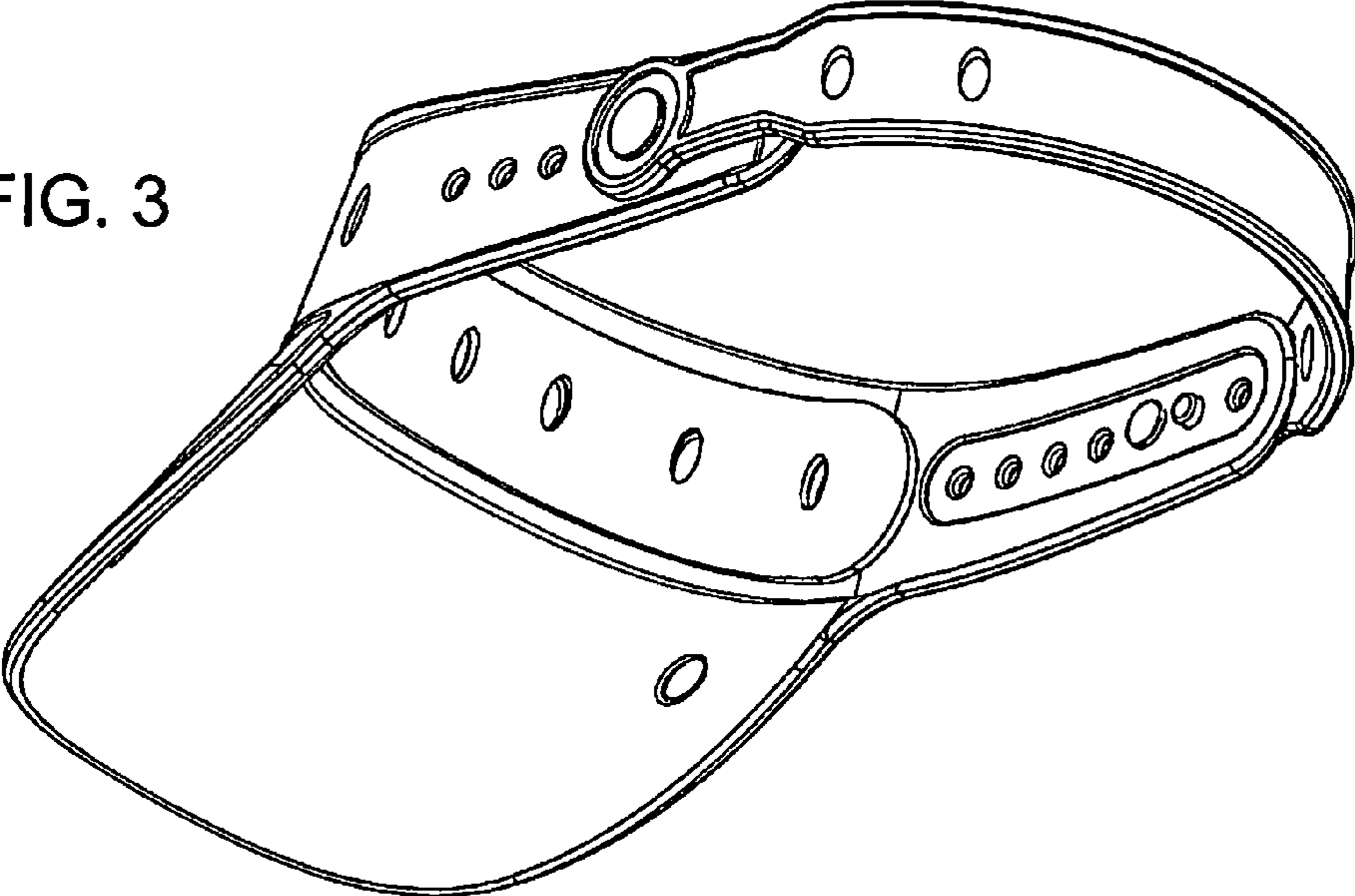


FIG. 4

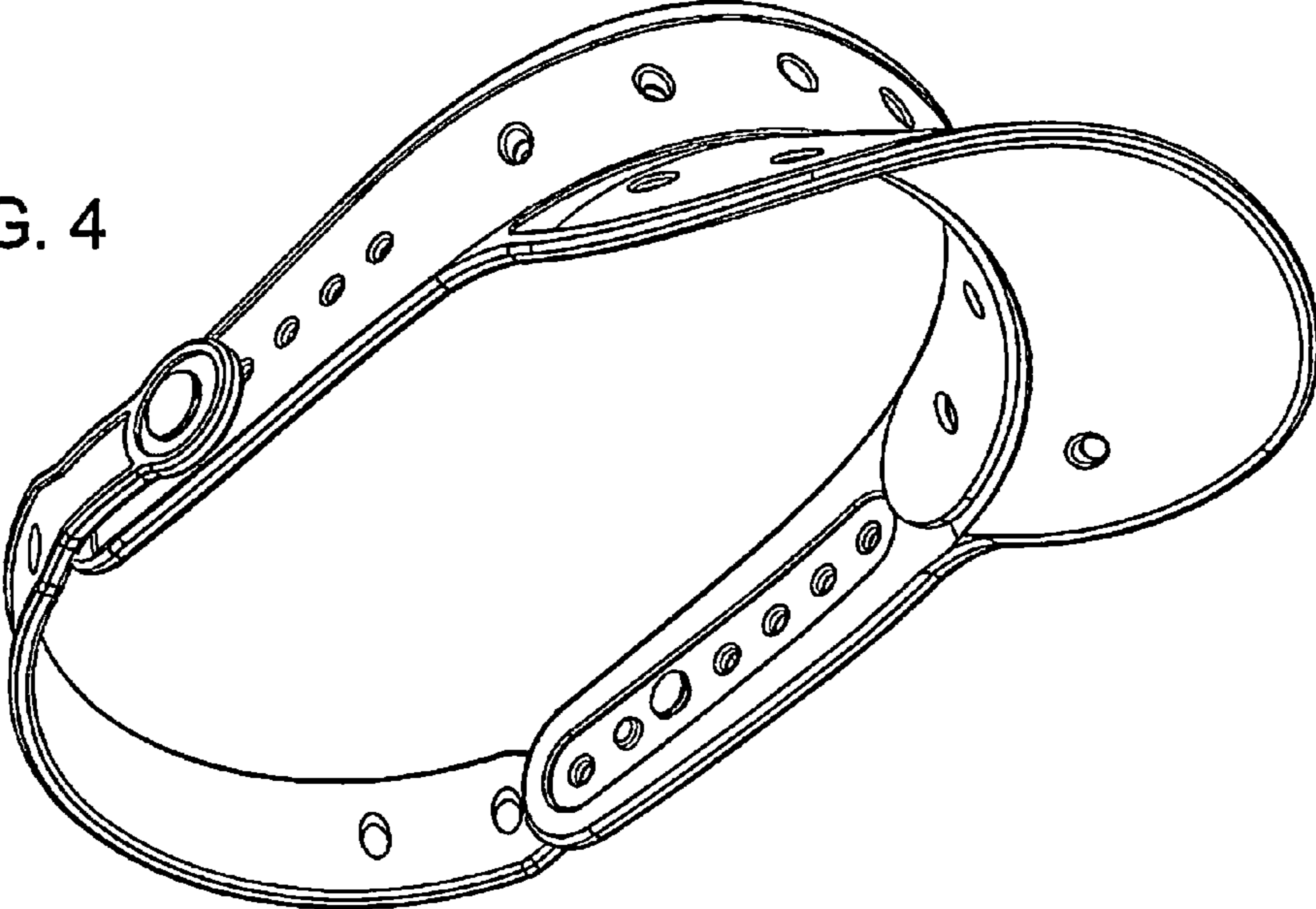


FIG. 5

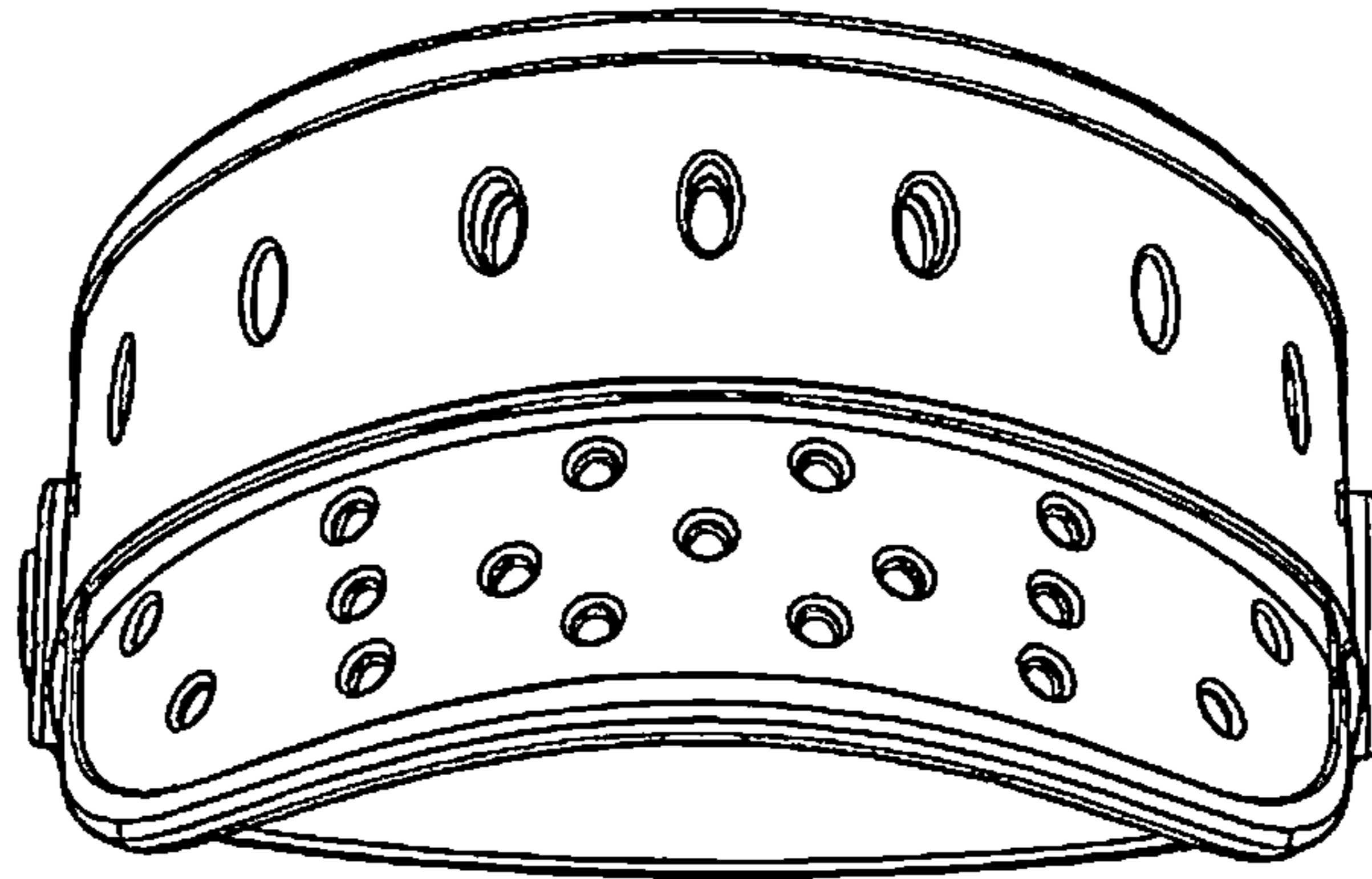


FIG. 6

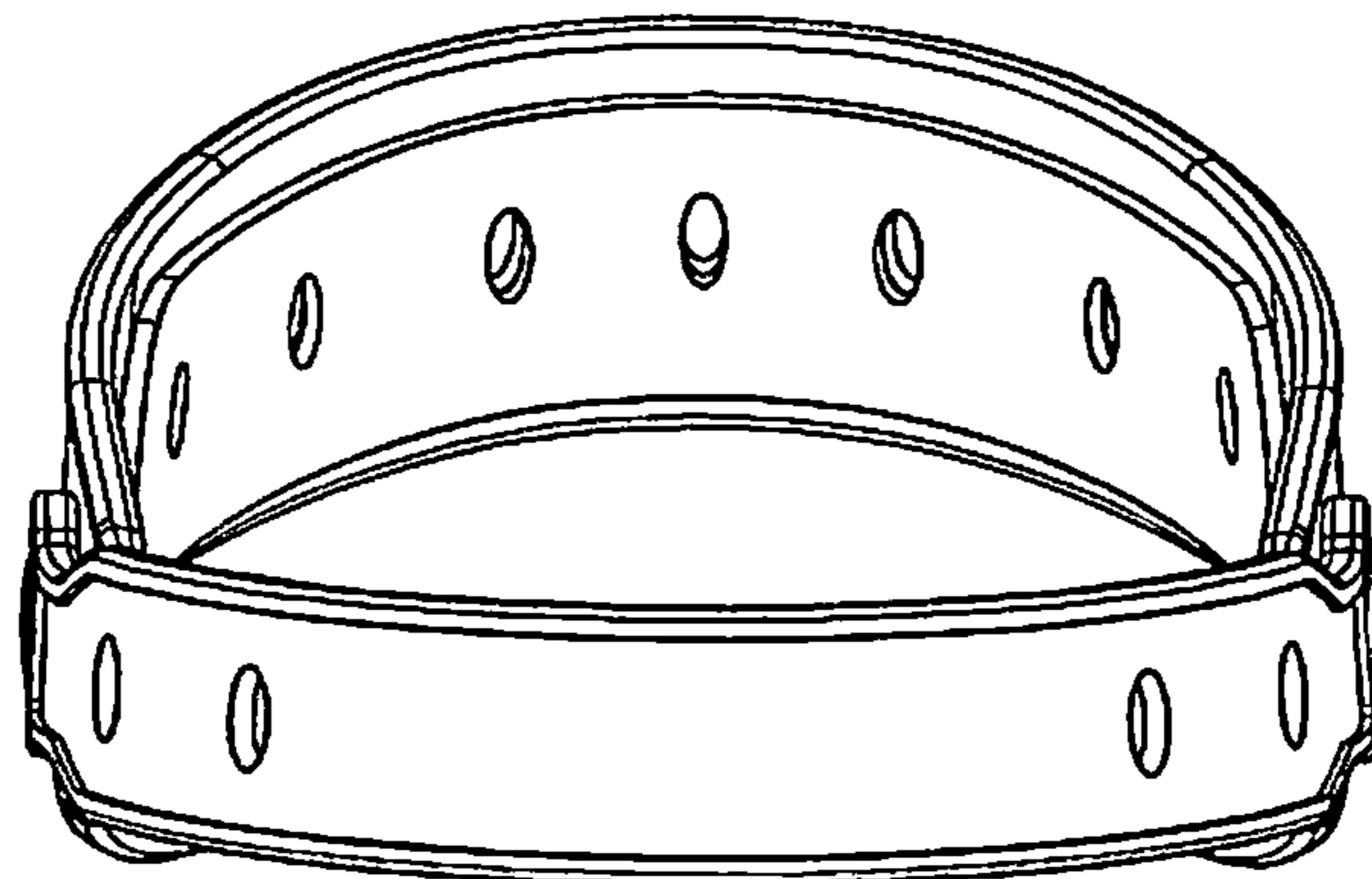


FIG. 7

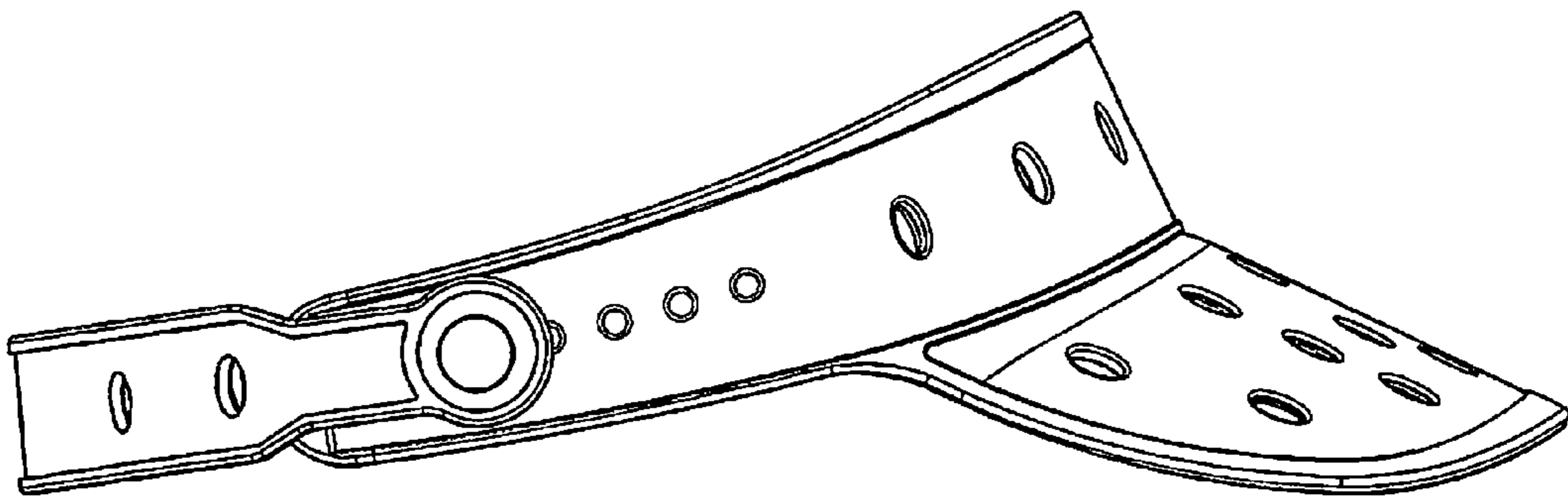


FIG. 8

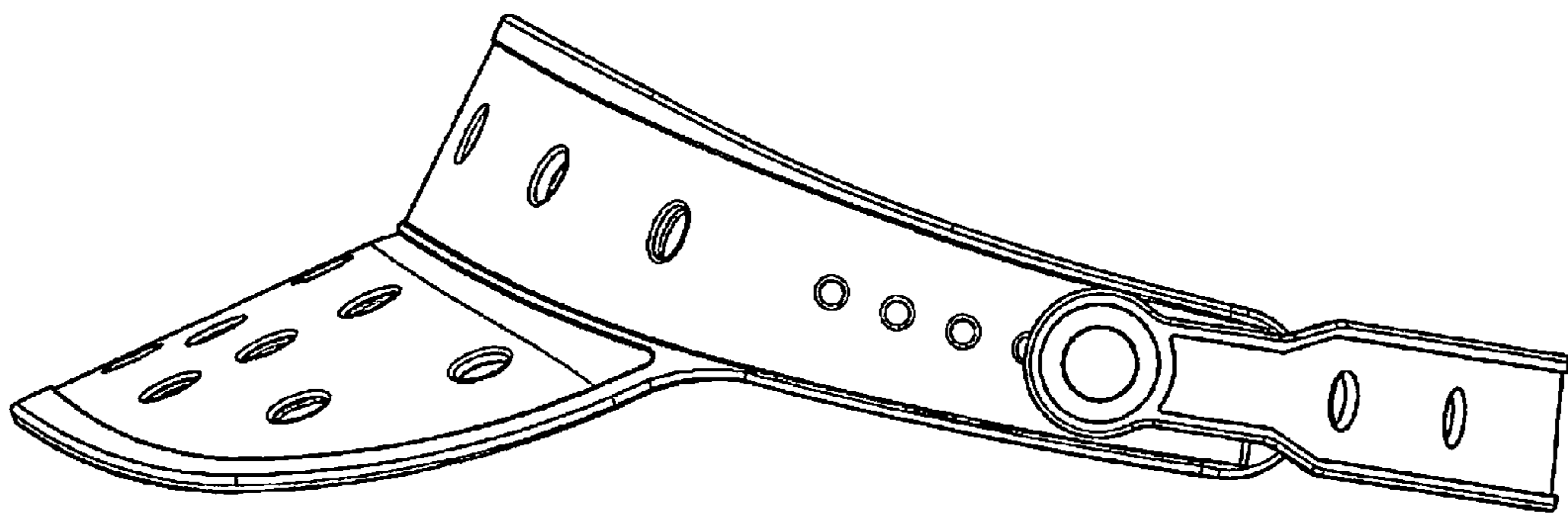


FIG. 9

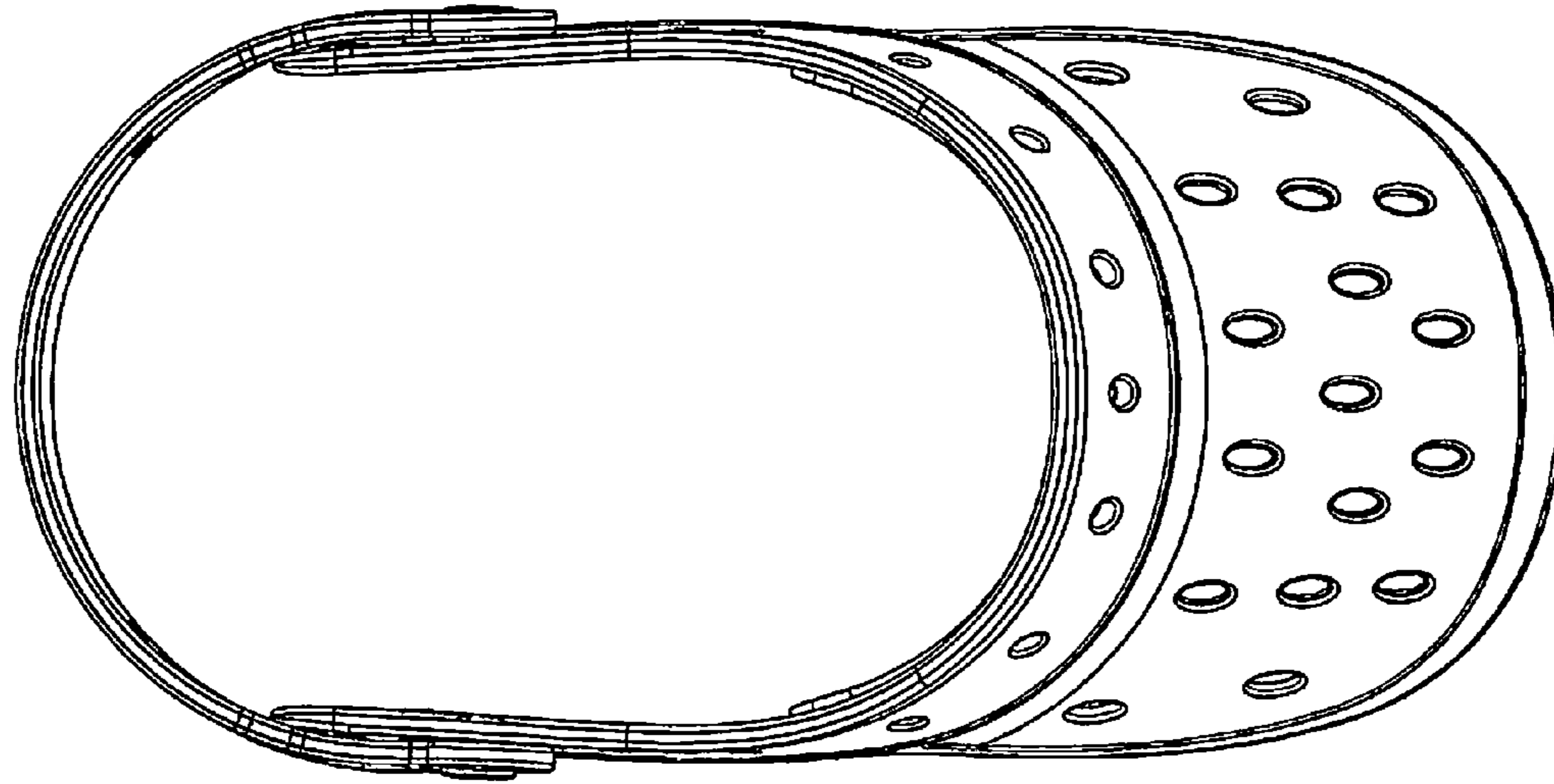


FIG. 10

