



US00D749300S

(12) **United States Design Patent**
Krumrine

(10) **Patent No.:** **US D749,300 S**

(45) **Date of Patent:** **** Feb. 16, 2016**

(54) **BIB**

(71) Applicant: **Elizabethan Baby Company,**
Bethlehem, PA (US)

(72) Inventor: **Jennifer R. Krumrine,** Bethlehem, PA
(US)

(73) Assignee: **Elizabethan Baby Company,**
Bethlehem, PA (US)

(**) Term: **14 Years**

(21) Appl. No.: **29/496,473**

(22) Filed: **Jul. 14, 2014**

(51) **LOC (10) Cl.** **02-02**

(52) **U.S. Cl.**
USPC **D2/861**

(58) **Field of Classification Search**
USPC D2/860-864, 600, 602, 604, 866, 823;
2/46, 48, 49.1-49.5, 50-51
CPC A41B 13/00; A41B 13/103; A41B 13/106;
A41B 13/10
See application file for complete search history.

(56) **References Cited**

U.S. PATENT DOCUMENTS

- 1,793,737 A * 2/1931 Estes A41D 13/04
2/211
- 3,727,238 A * 4/1973 Wolfson A41D 13/1254
2/47

(Continued)

Primary Examiner — Caron D Veynar

Assistant Examiner — Abraham Bahta

(74) *Attorney, Agent, or Firm* — Design IP; James J. Aquilina

(57) **CLAIM**

The ornamental design for a bib, as shown and described.

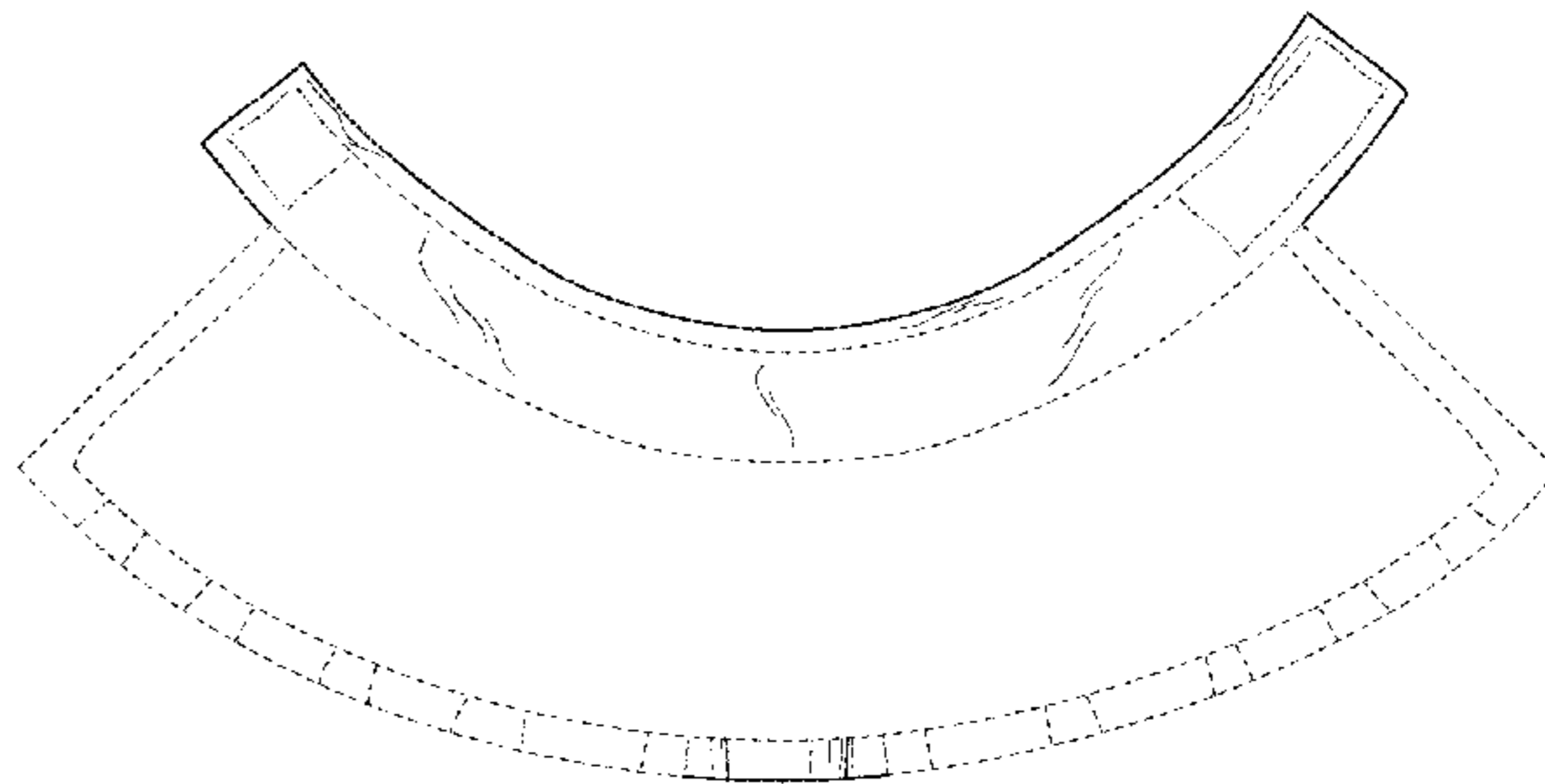
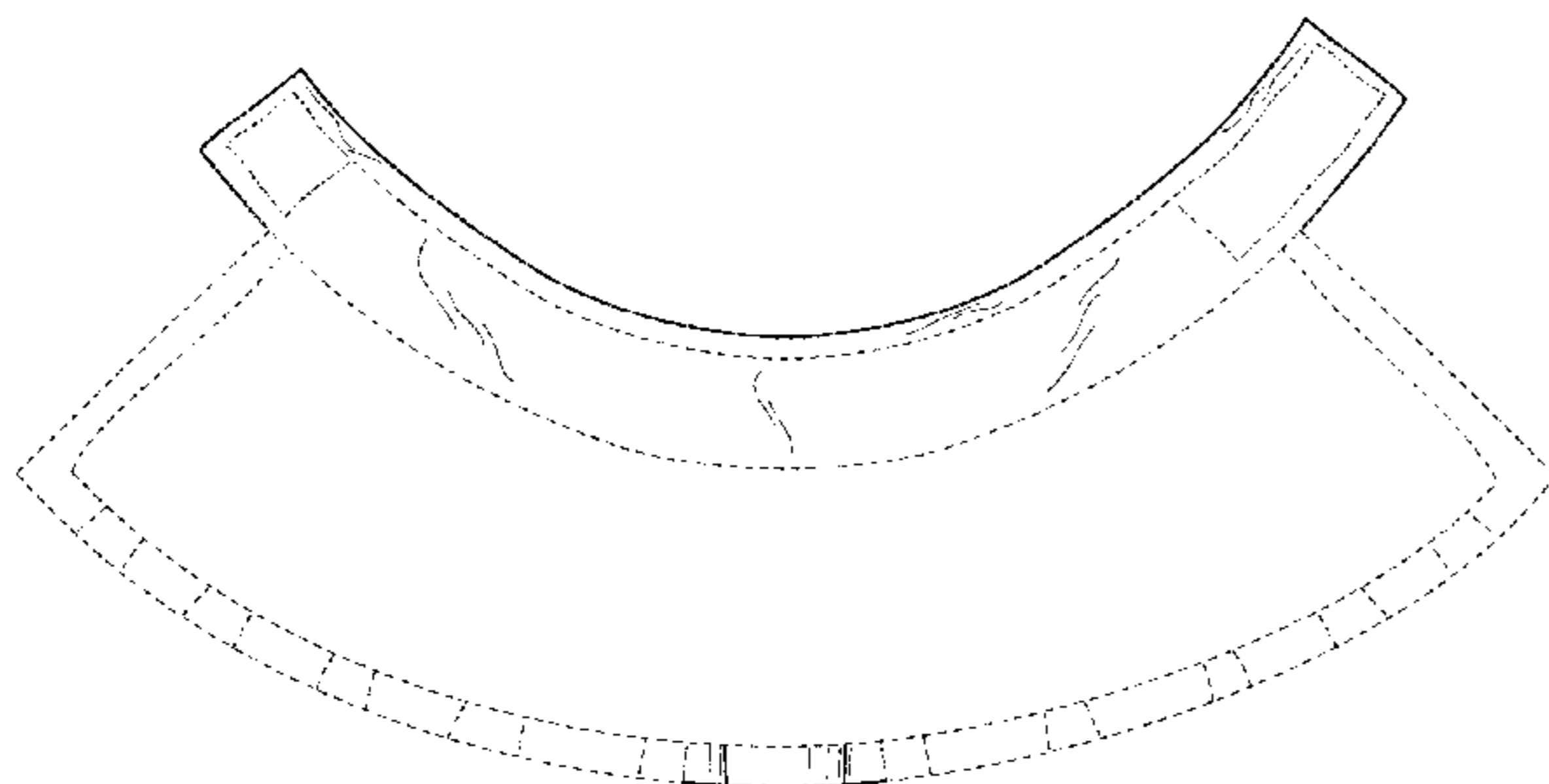
DESCRIPTION

FIG. 1 is a top view of a first embodiment of a bib showing my new design, with the bib in an open configuration and a top layer of the bib visible;

FIG. 2 is a front perspective view thereof;
 FIG. 3 is a perspective view of the embodiment of FIG. 1, with the top layer omitted from view;
 FIG. 4 is a top view thereof;
 FIG. 5 is a bottom view thereof;
 FIG. 6 is a front perspective view thereof;
 FIG. 7 is a rear perspective view thereof;
 FIG. 8 is a left side perspective view thereof;
 FIG. 9 is a right side perspective view thereof;
 FIG. 10 is a top view thereof, with the bib in a closed configuration;
 FIG. 11 is a partial sectional view taken along line 11-11 of FIG. 6;
 FIG. 12 is a partial sectional view taken along line 12-12 of FIG. 6;
 FIG. 13 is a top view of a second embodiment of a bib showing my new design, with the bib in an open configuration and a top layer of the bib visible;
 FIG. 14 is a front perspective view thereof;
 FIG. 15 is a perspective view of the embodiment of FIG. 13, with the top layer omitted from view;
 FIG. 16 is a top view thereof;
 FIG. 17 is a bottom view thereof;
 FIG. 18 is a front perspective view thereof;
 FIG. 19 is a rear perspective view thereof;
 FIG. 20 is a left side perspective view thereof;
 FIG. 21 is a right side perspective view thereof;
 FIG. 22 is a top view thereof, with the bib in a closed configuration;
 FIG. 23 is a partial sectional view taken along line 23-23 of FIG. 18; and,
 FIG. 24 is a partial sectional view taken along line 24-24 of FIG. 18.

In the embodiments of FIGS. 1-12 and 13-24, the collar portion of the bib is shaded for a cloth or fabric material. The dash-dot lines shown in FIGS. 1-4, 6-16, and 18-24 represent boundary lines between claimed and unclaimed subject matter, with the dash-dot lines themselves representing unclaimed subject matter. The dashed lines shown in FIGS. 1-24 are included for the purpose of illustrating environmental subject matter only and form no part of the claimed design.

1 Claim, 14 Drawing Sheets



US D749,300 S

Page 2

(56)

References Cited

U.S. PATENT DOCUMENTS

D279,421 S * 7/1985 Colberg D2/728
D304,875 S * 12/1989 Benson D2/861
D476,795 S * 7/2003 Reitknecht D2/861

D526,470 S * 8/2006 Brown D2/857
D582,130 S * 12/2008 Thompson D2/861
D673,757 S * 1/2013 Uruburo D2/861
D707,916 S 7/2014 Slusarczyk et al.
D718,020 S * 11/2014 Bonner D2/861

* cited by examiner

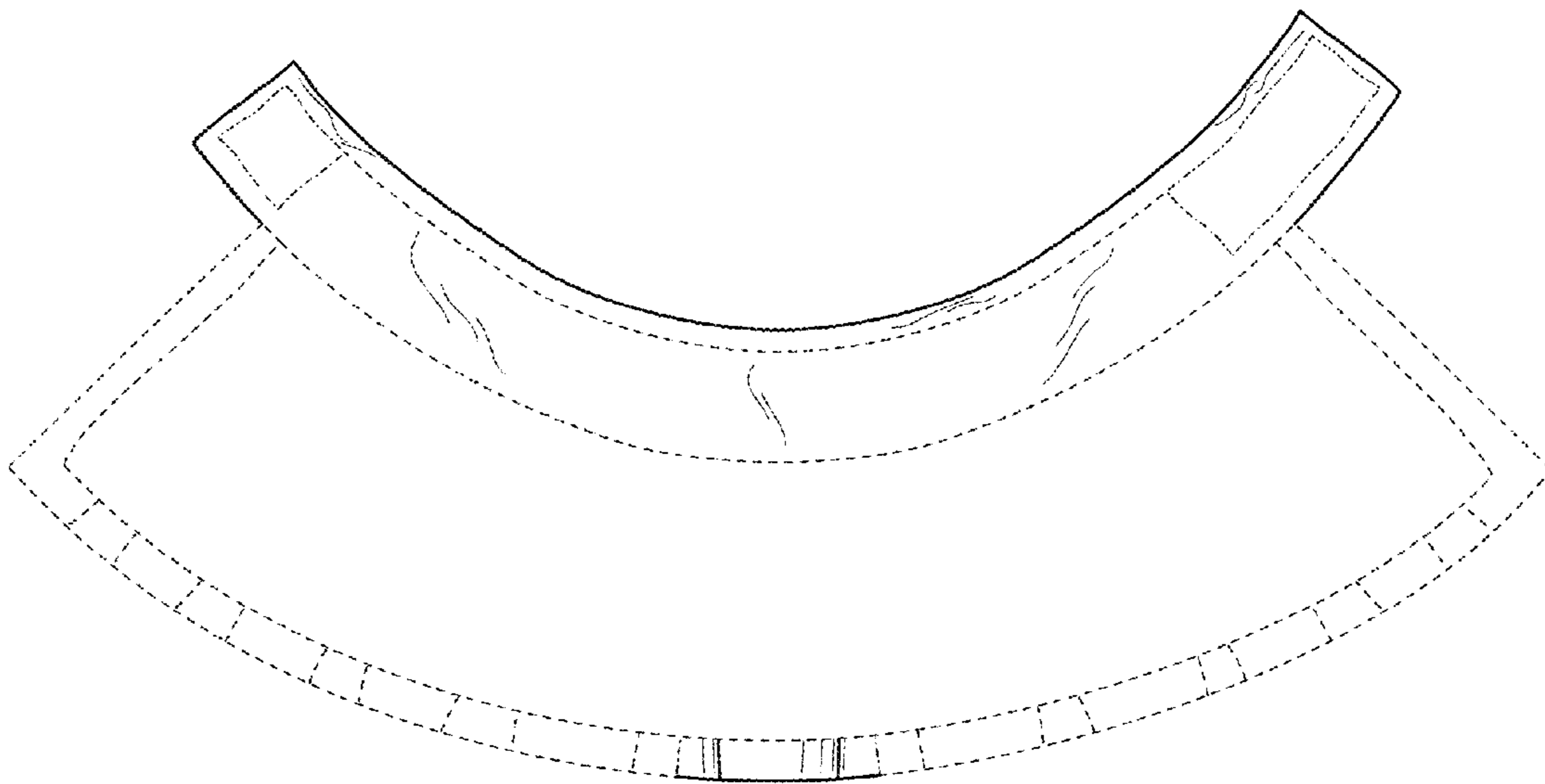


FIG. 1

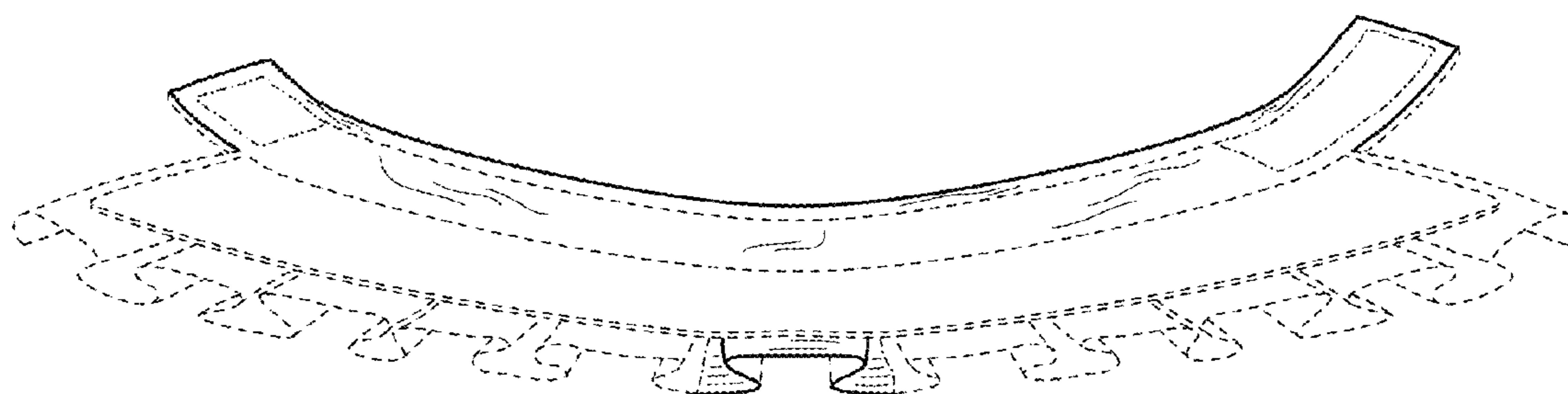


FIG. 2

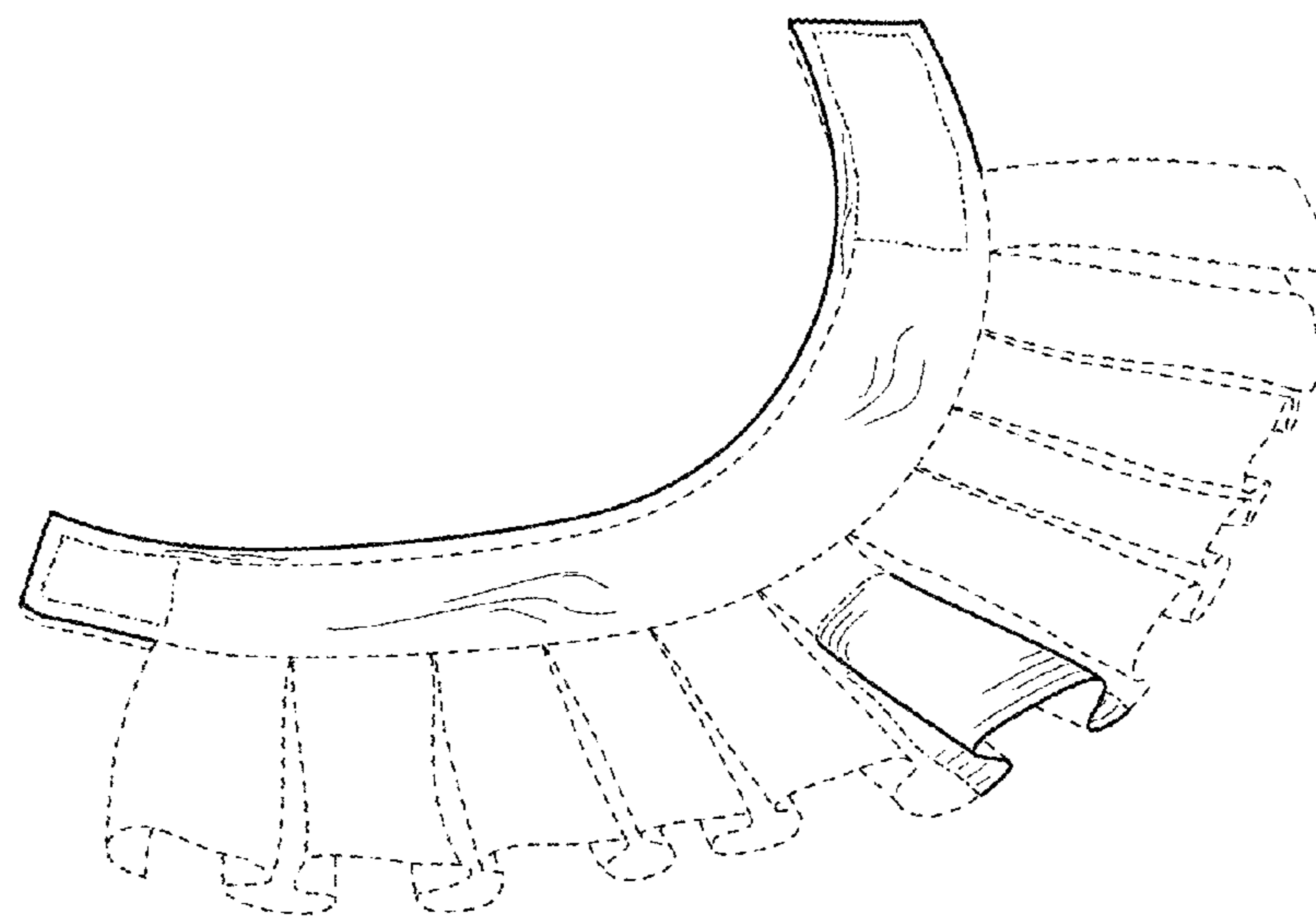


FIG. 3

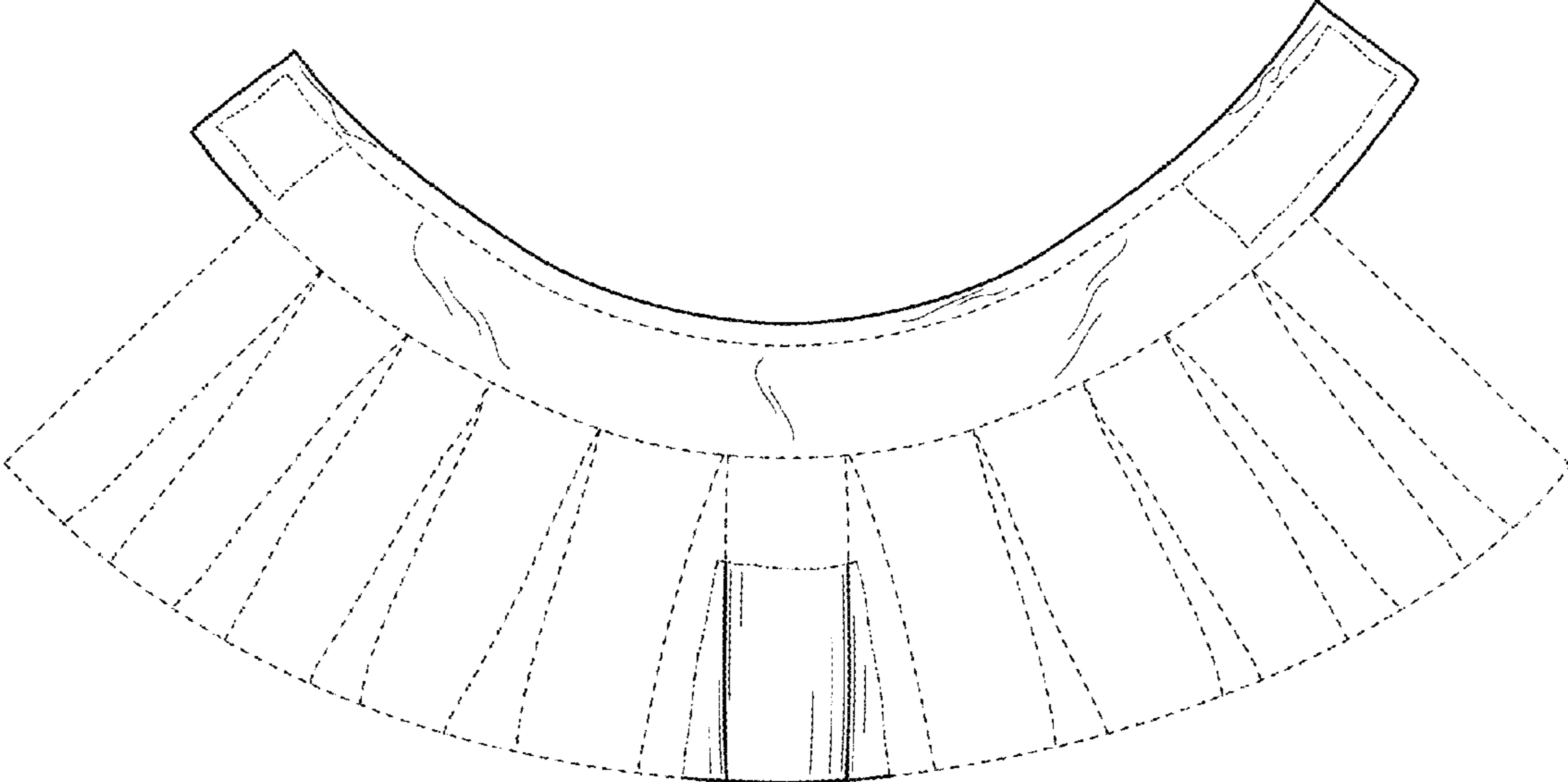


FIG. 4

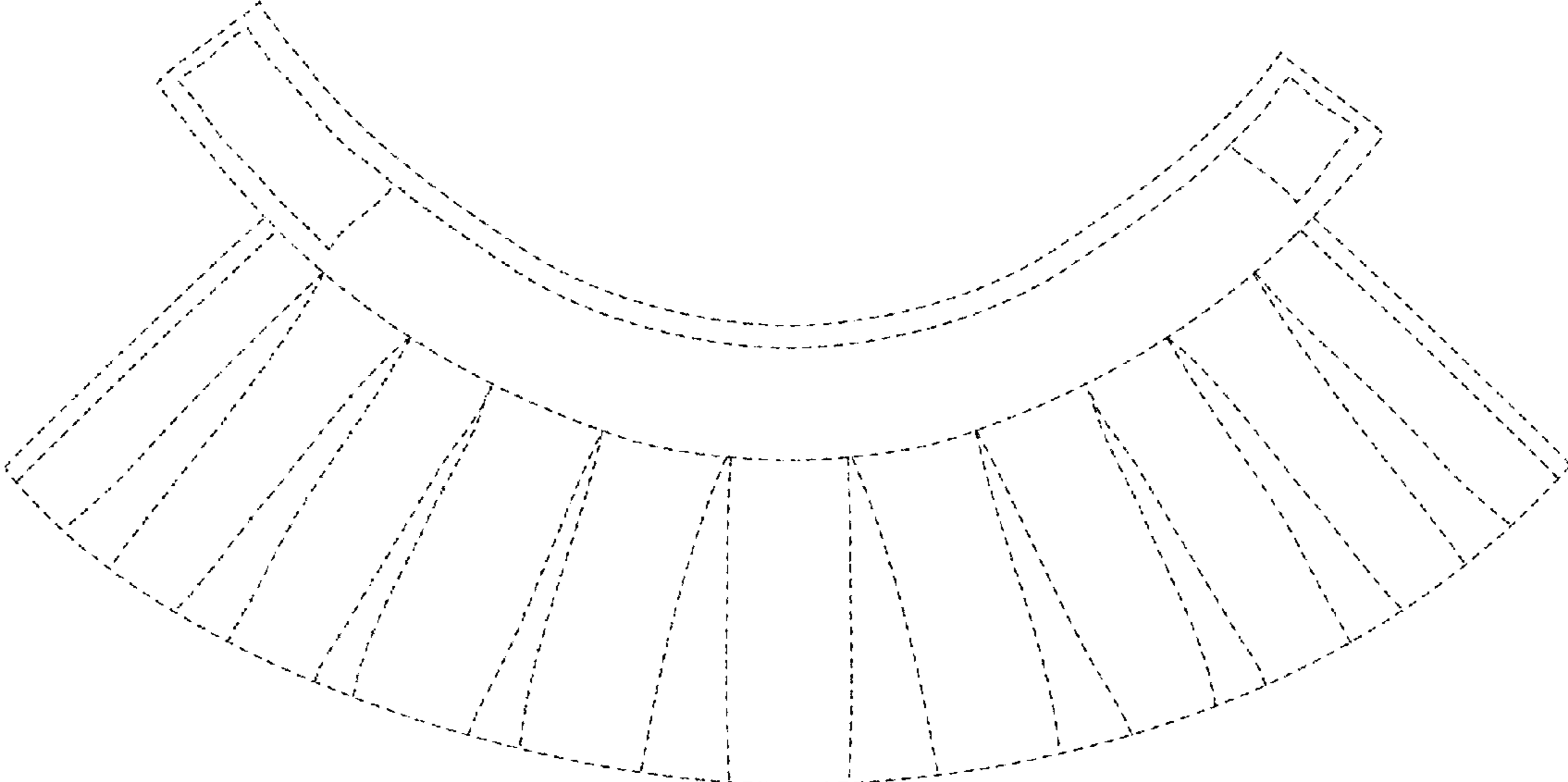
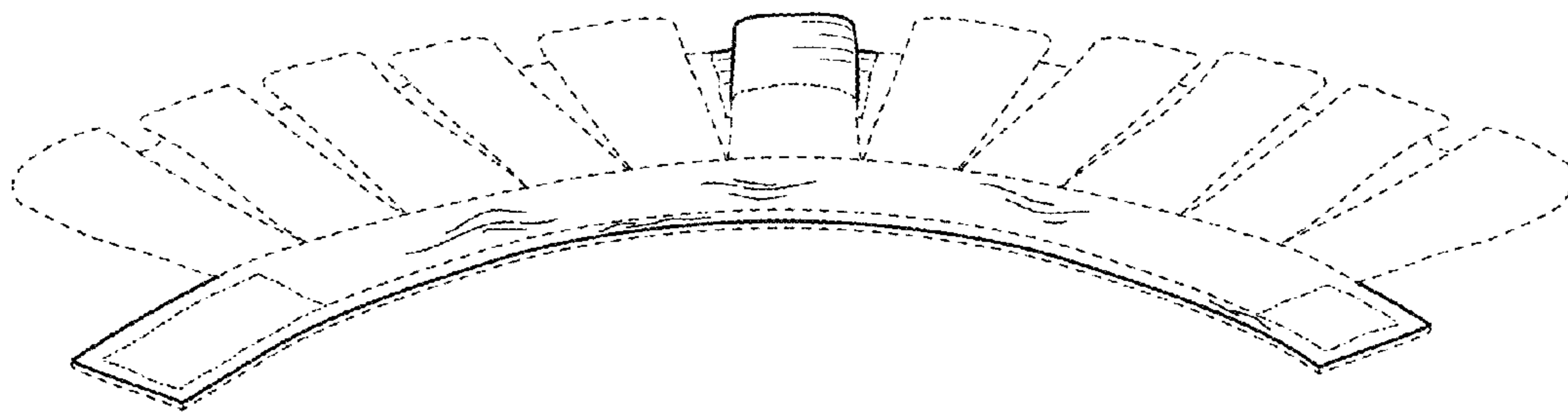
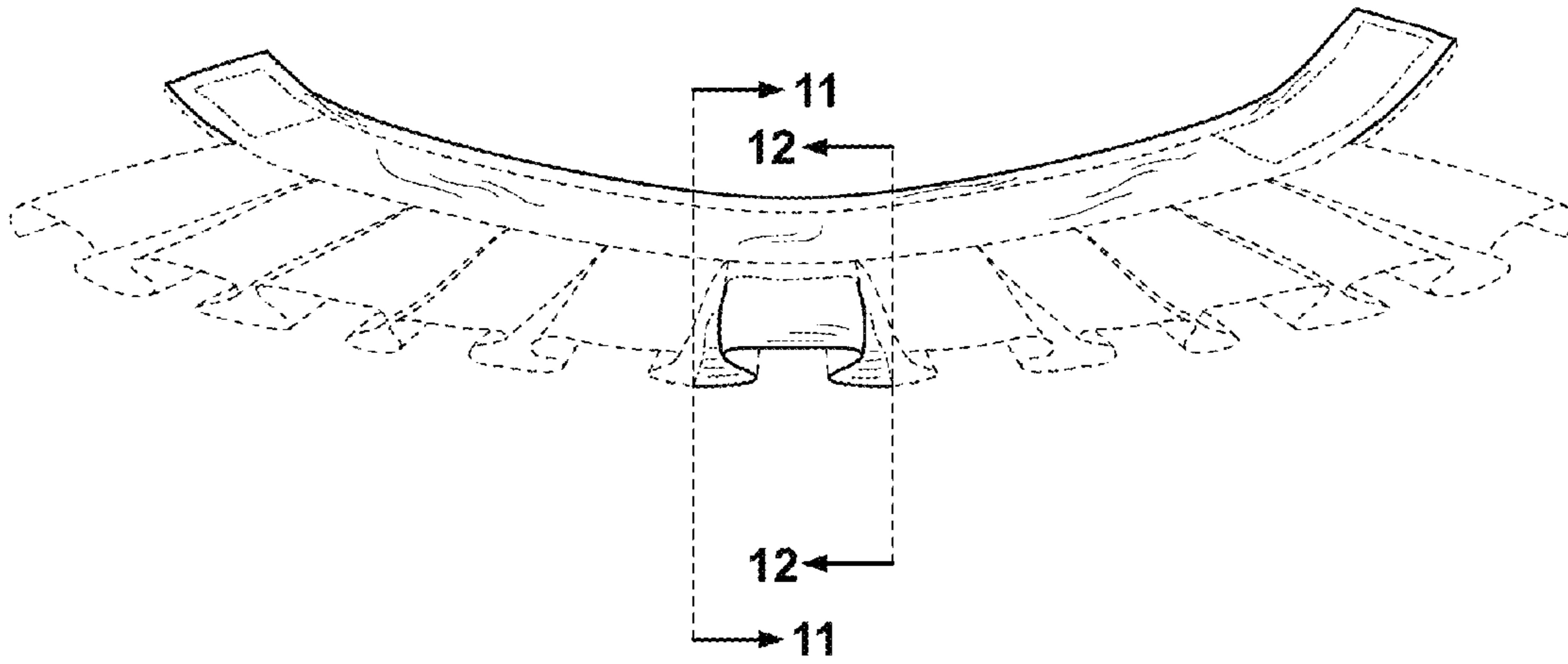


FIG. 5



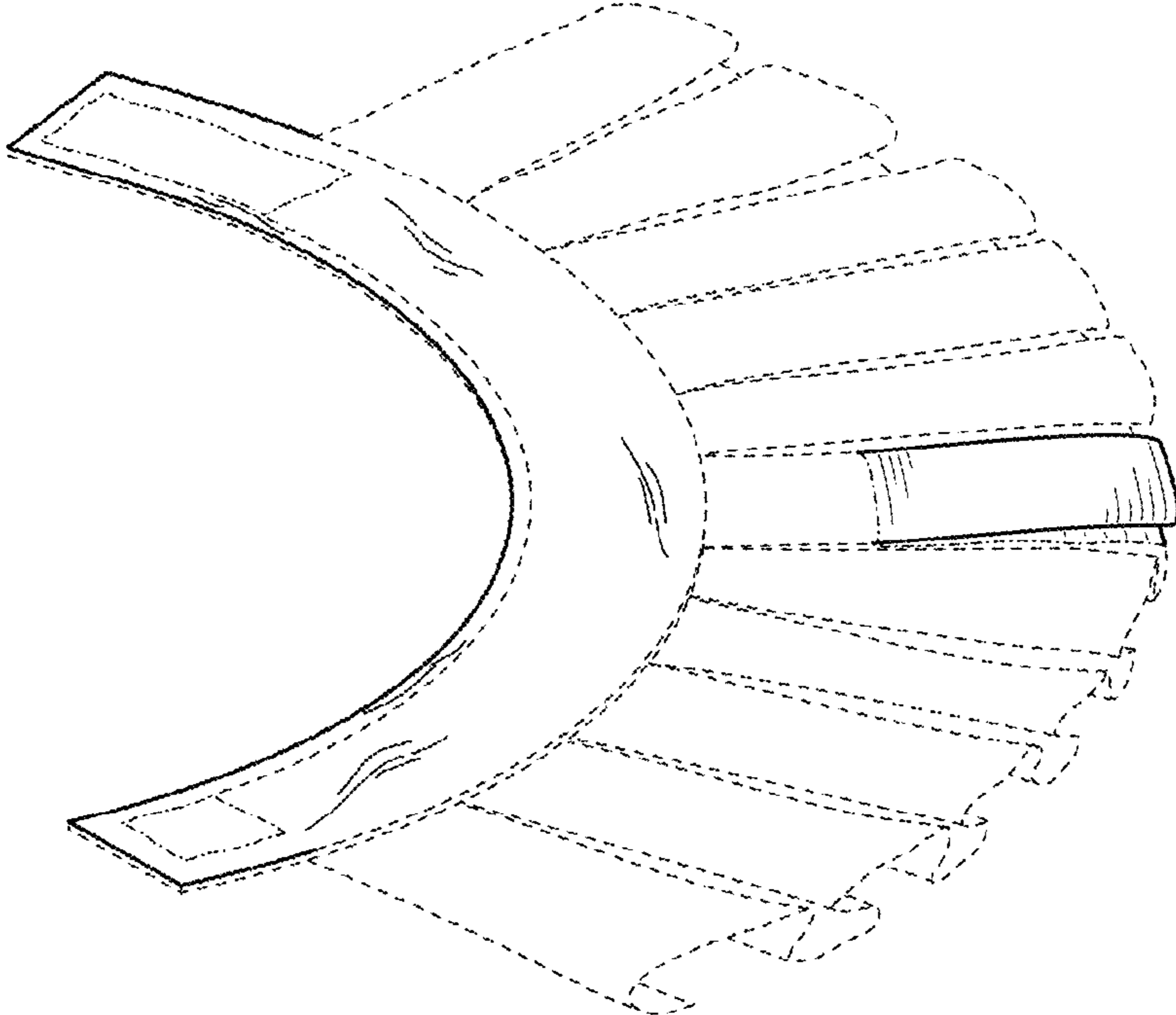


FIG. 8

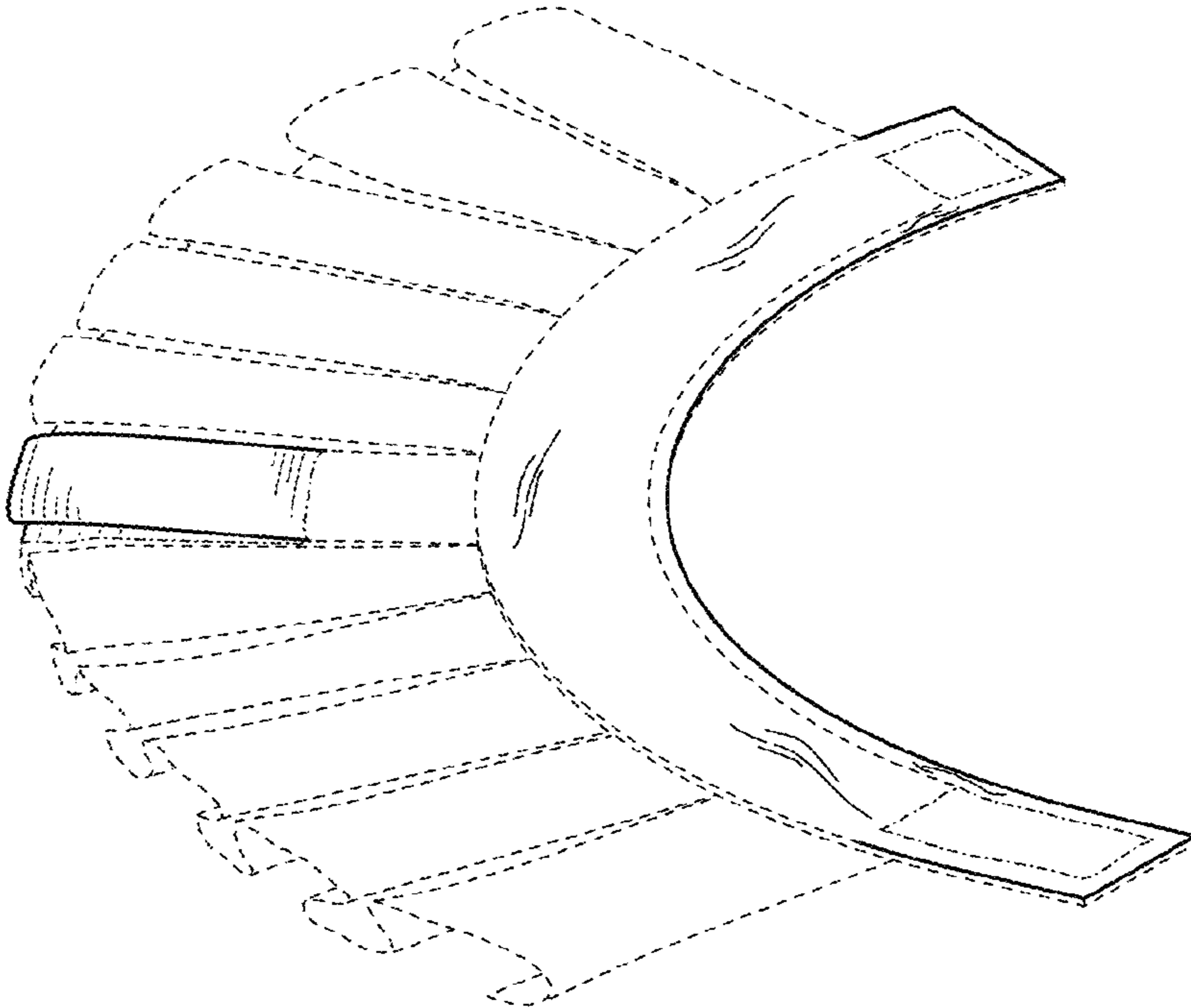


FIG. 9

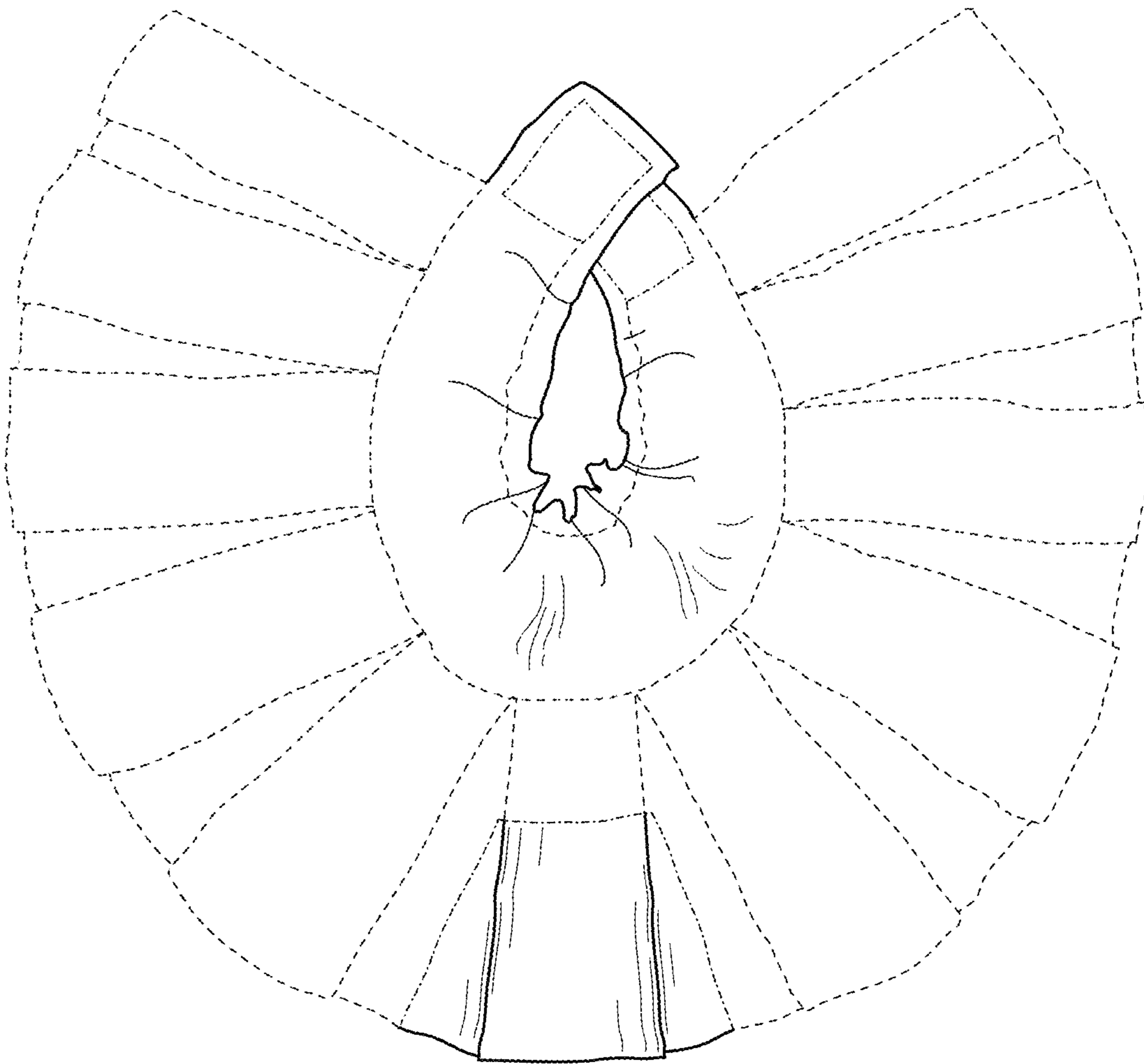


FIG. 10

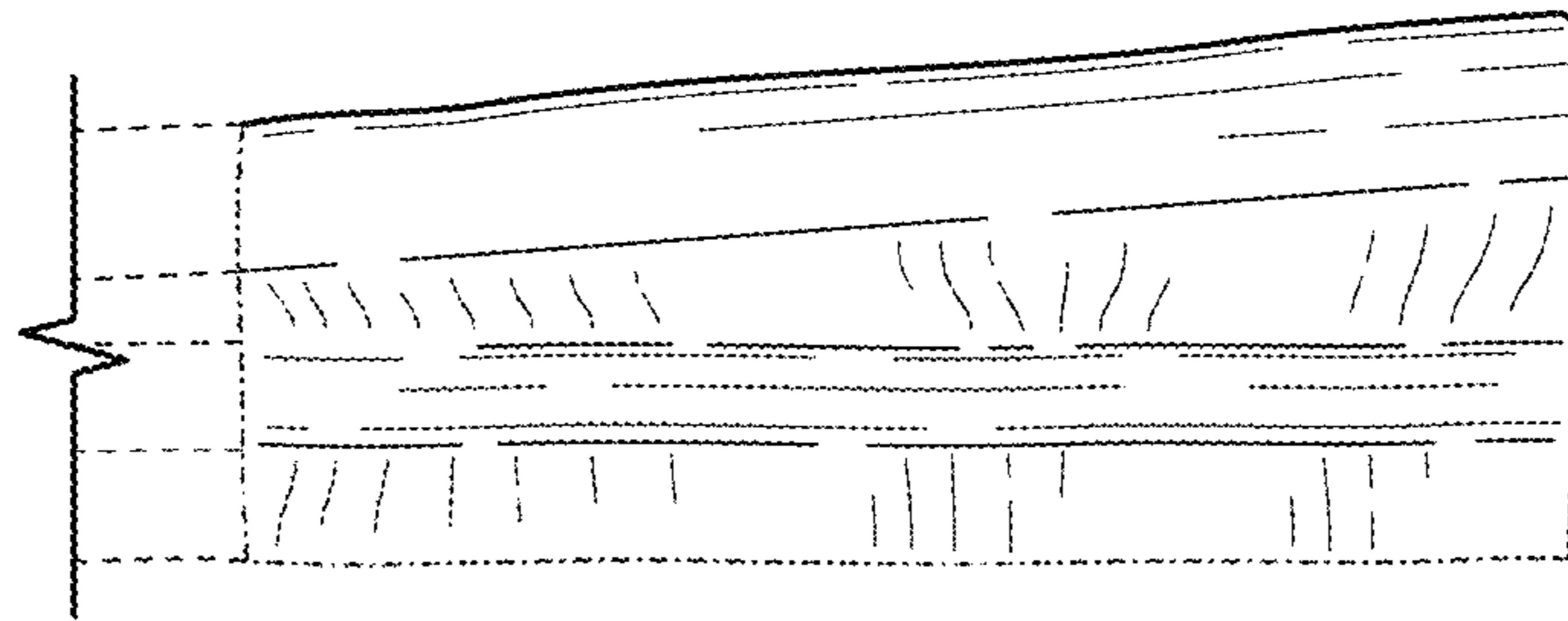


FIG. 11

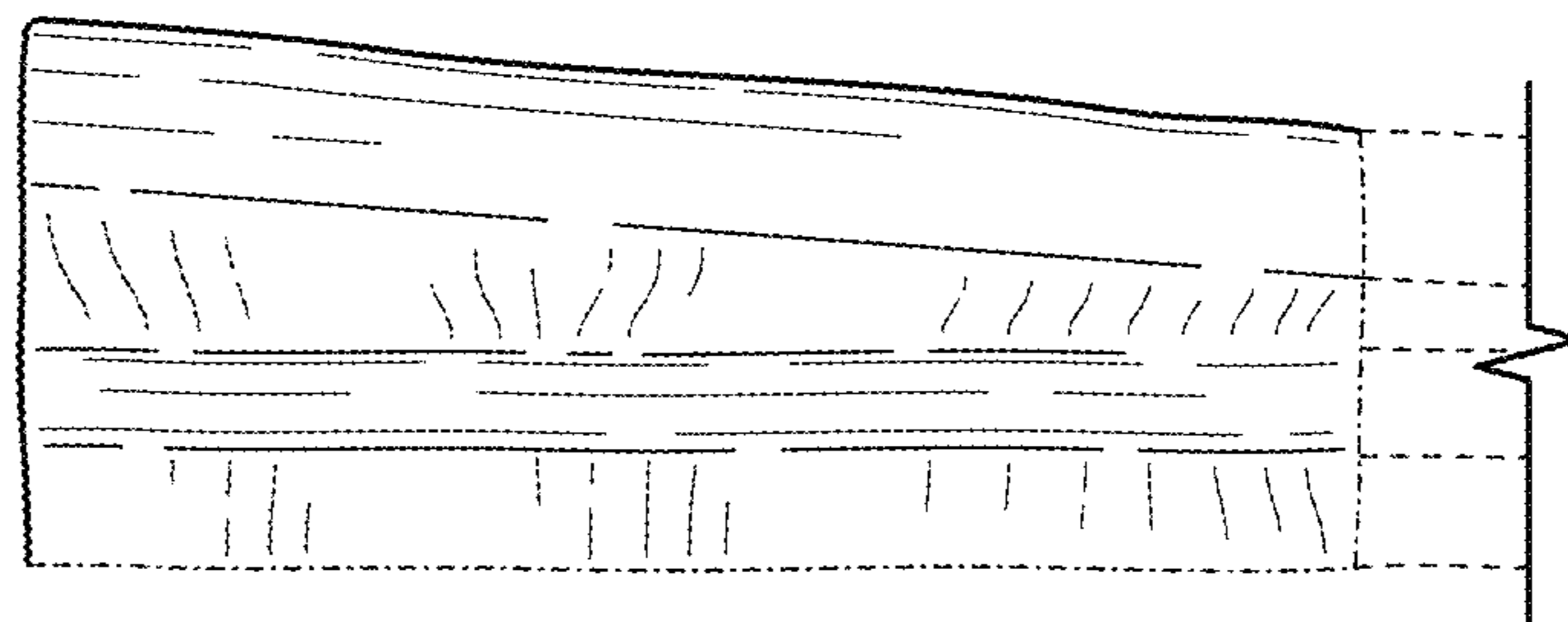


FIG. 12

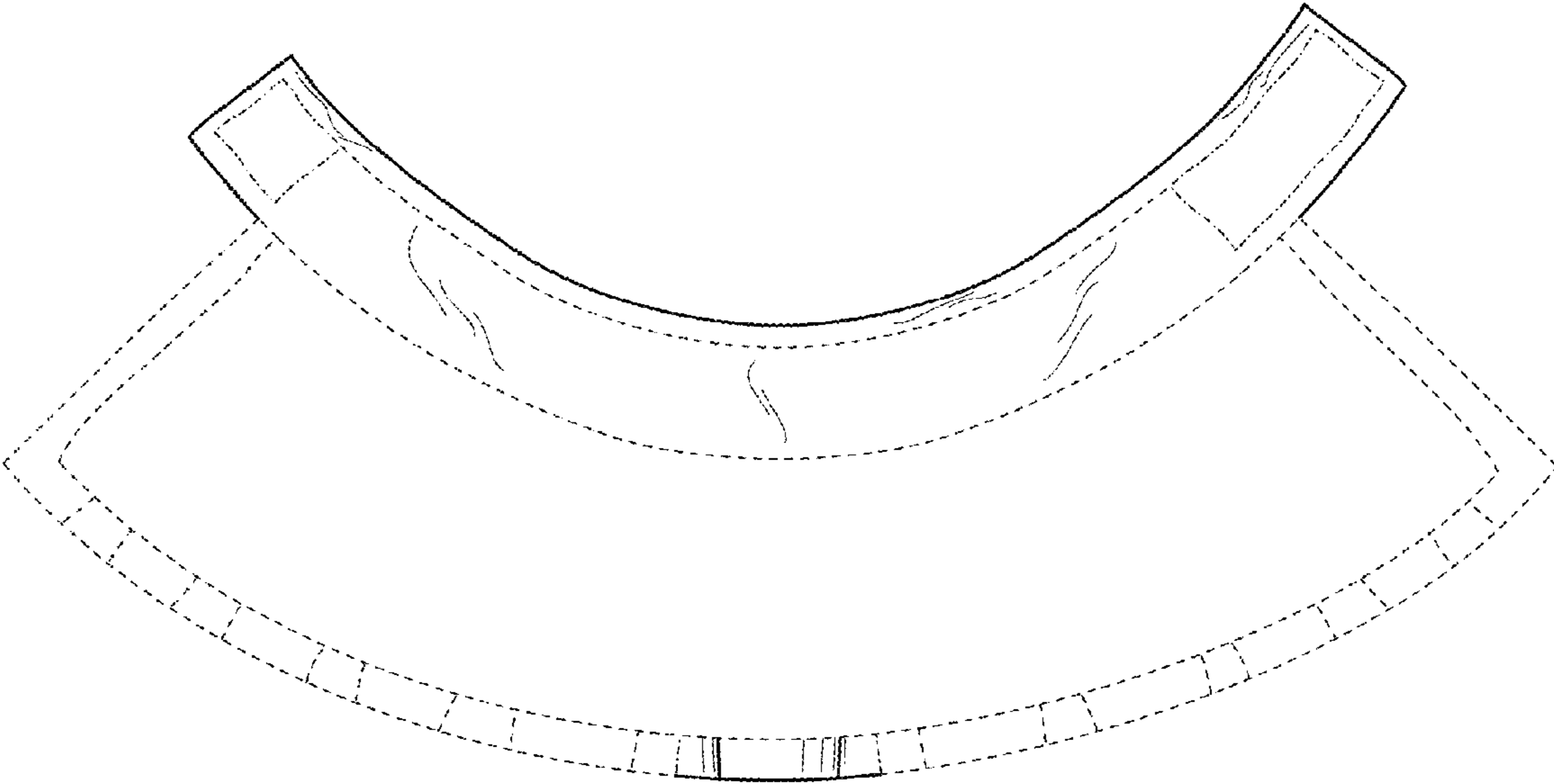


FIG. 13

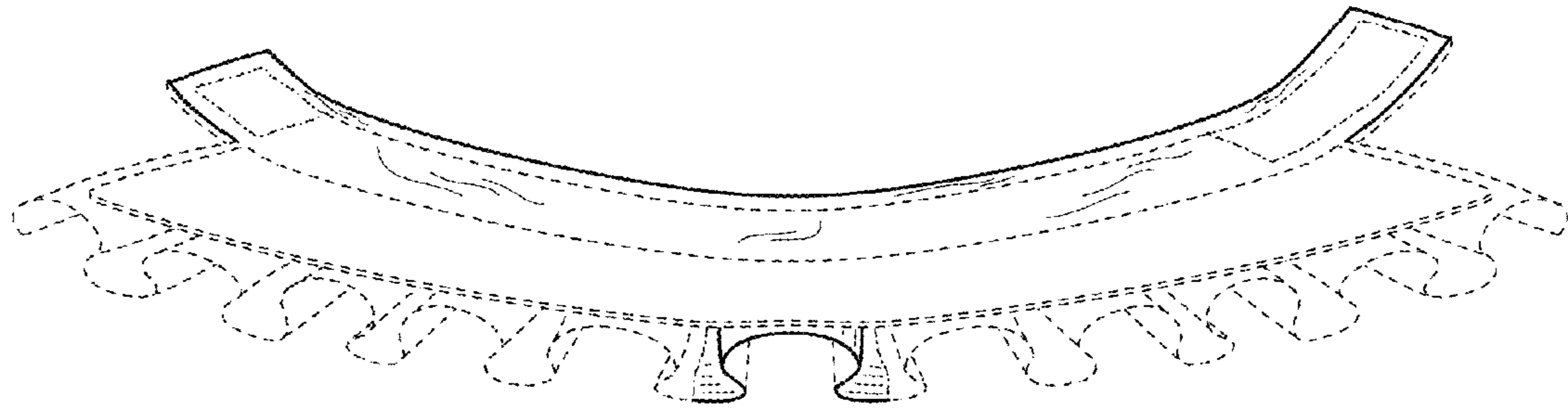


FIG. 14

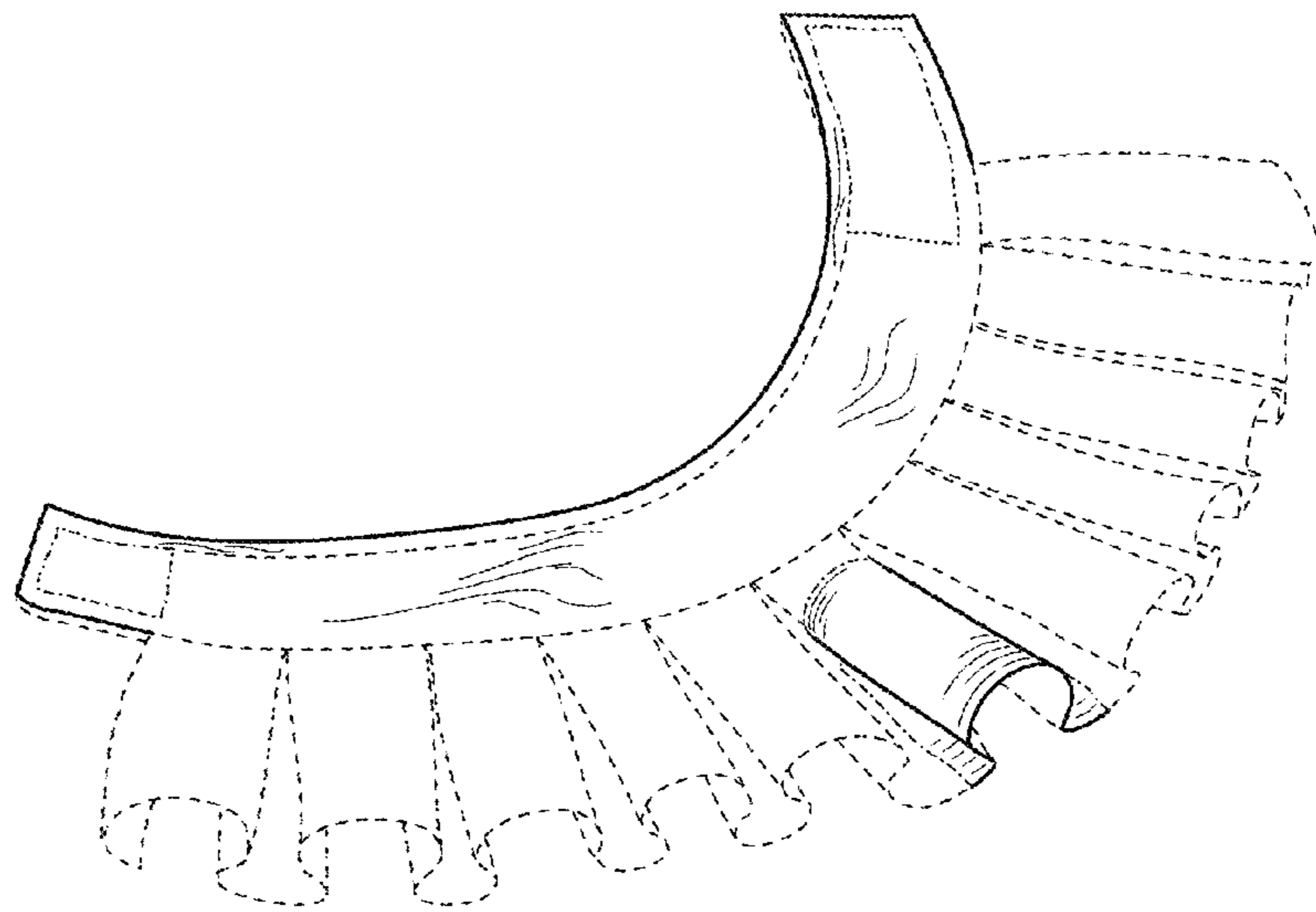


FIG. 15

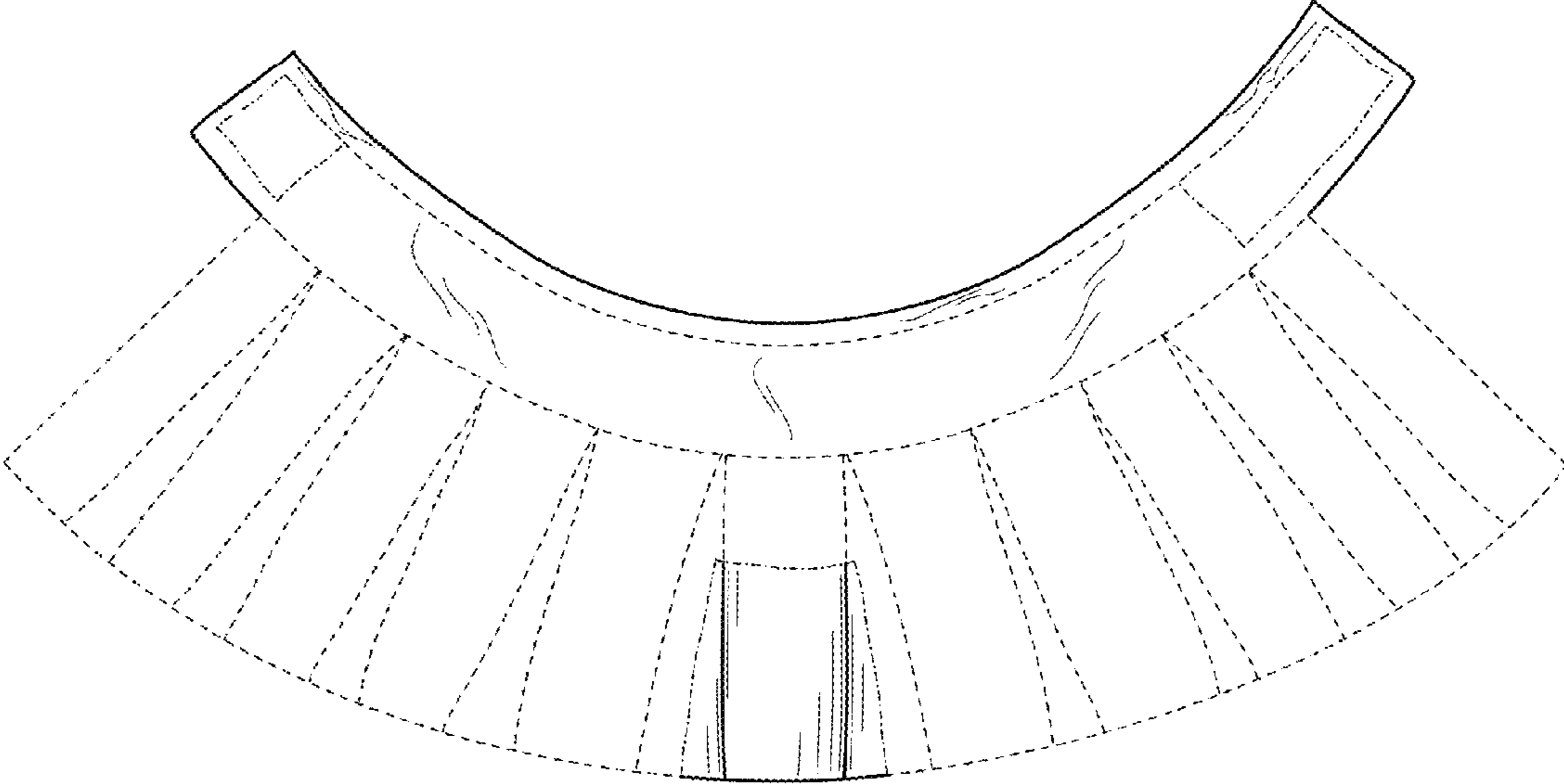


FIG. 16

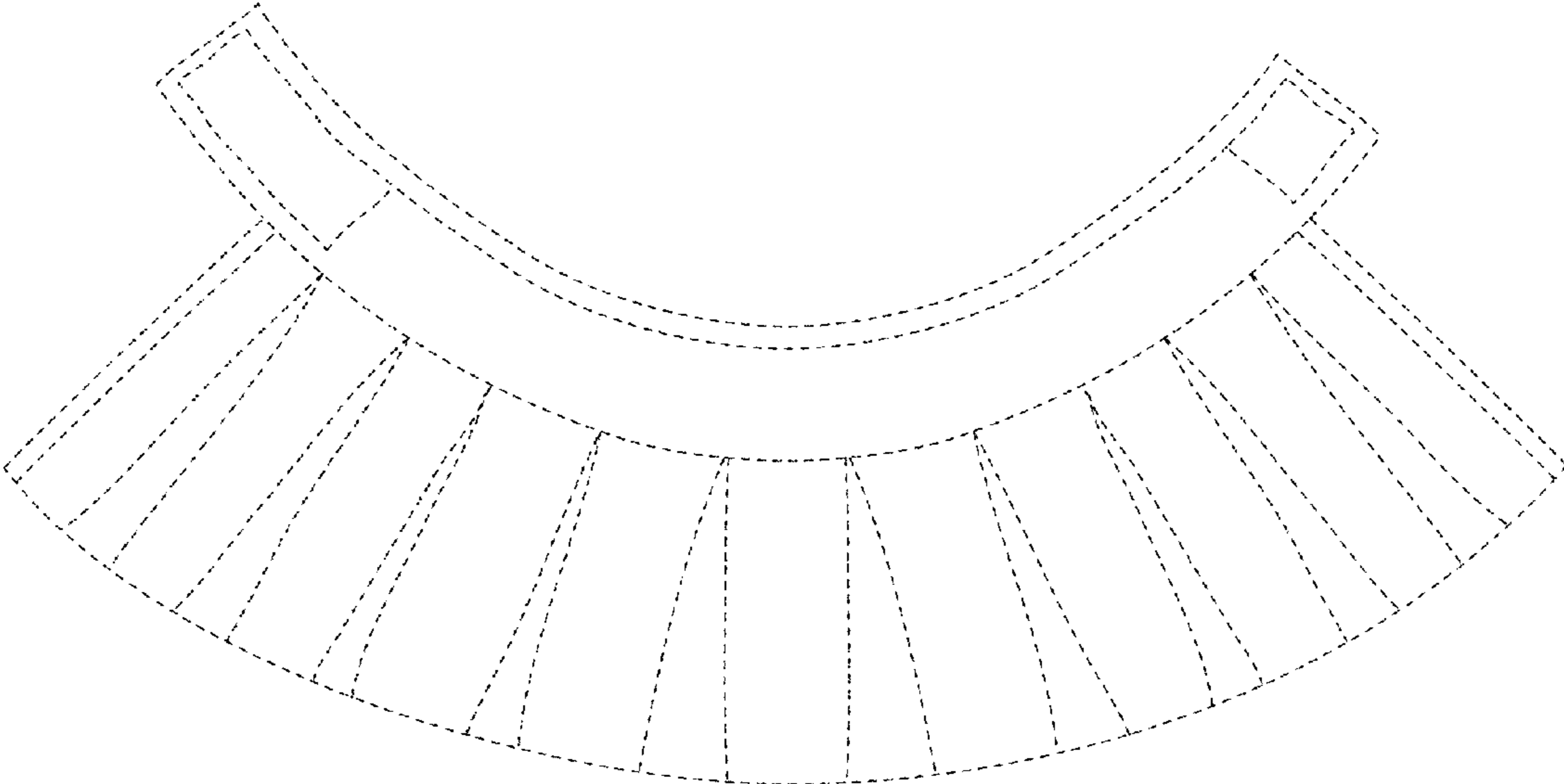


FIG. 17

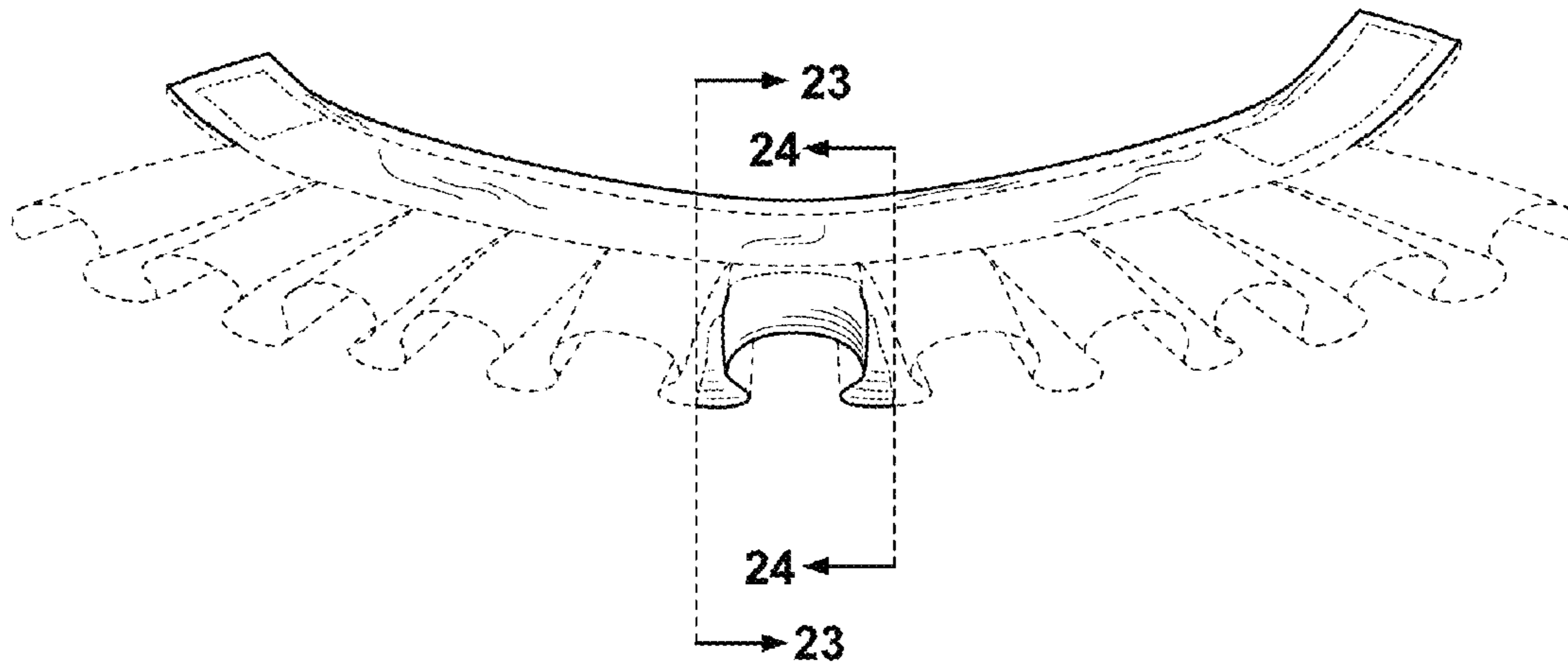


FIG. 18

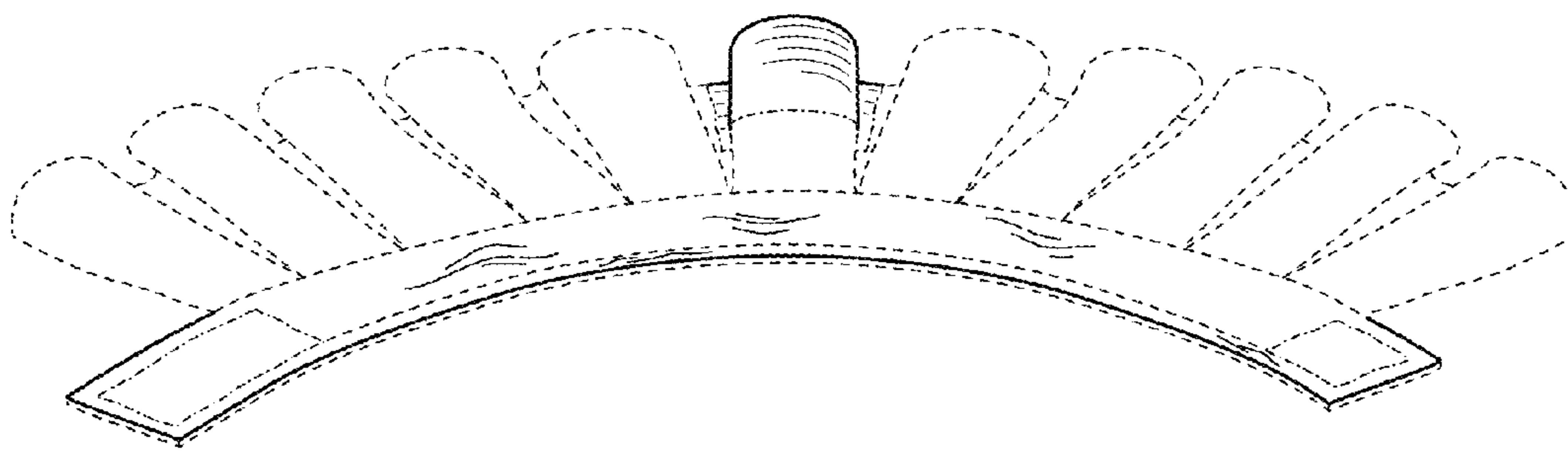


FIG. 19

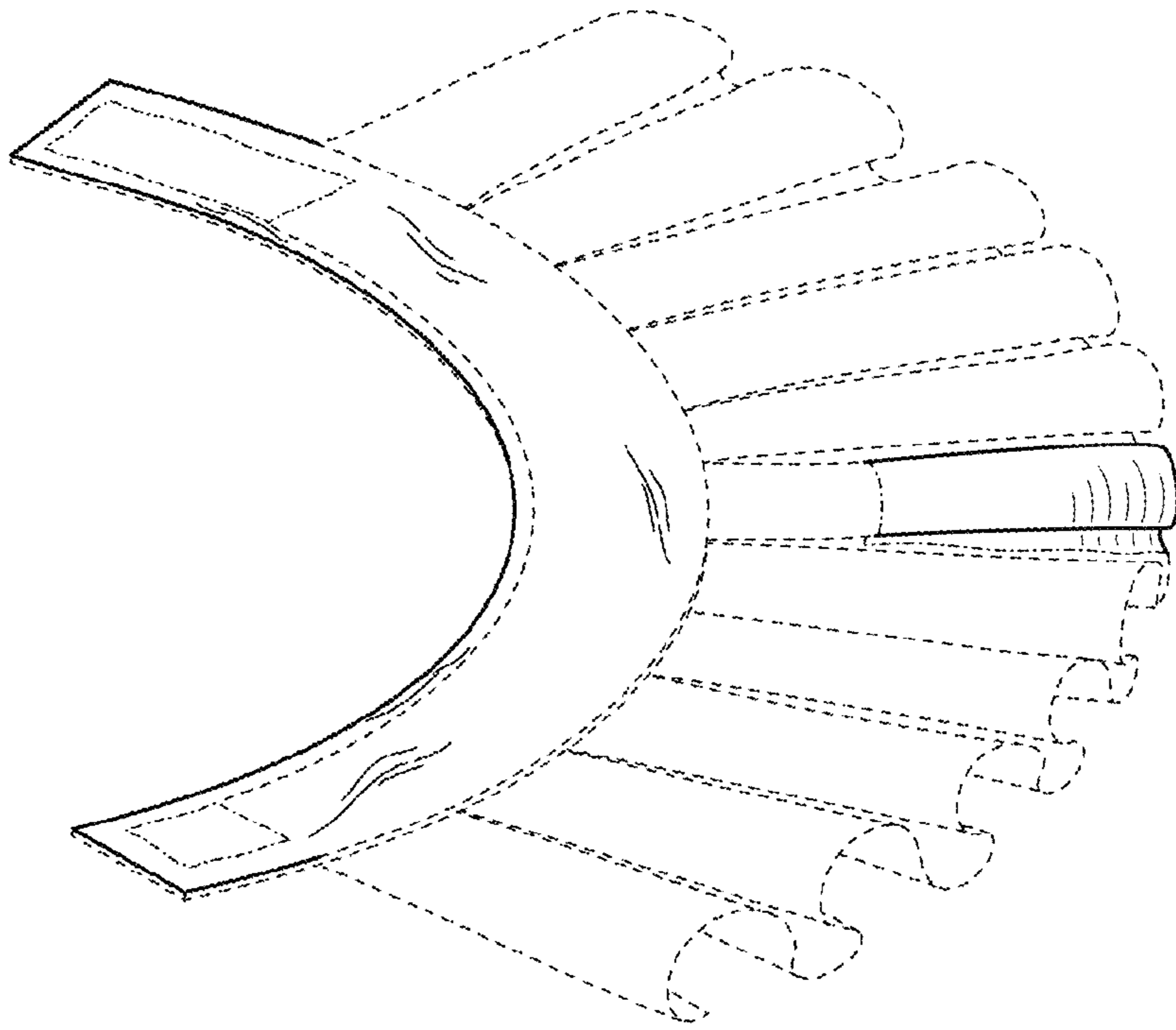


FIG. 20

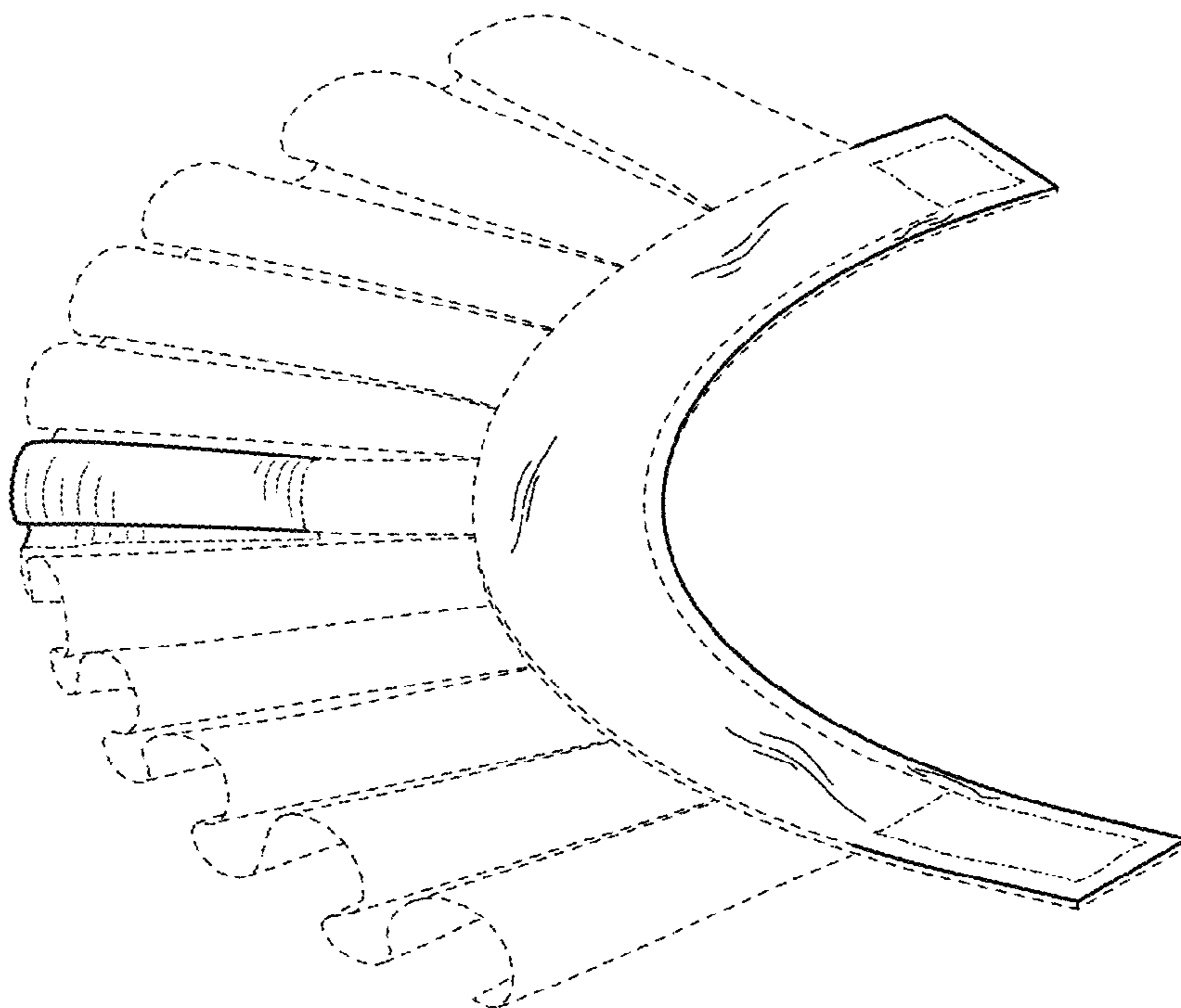


FIG. 21

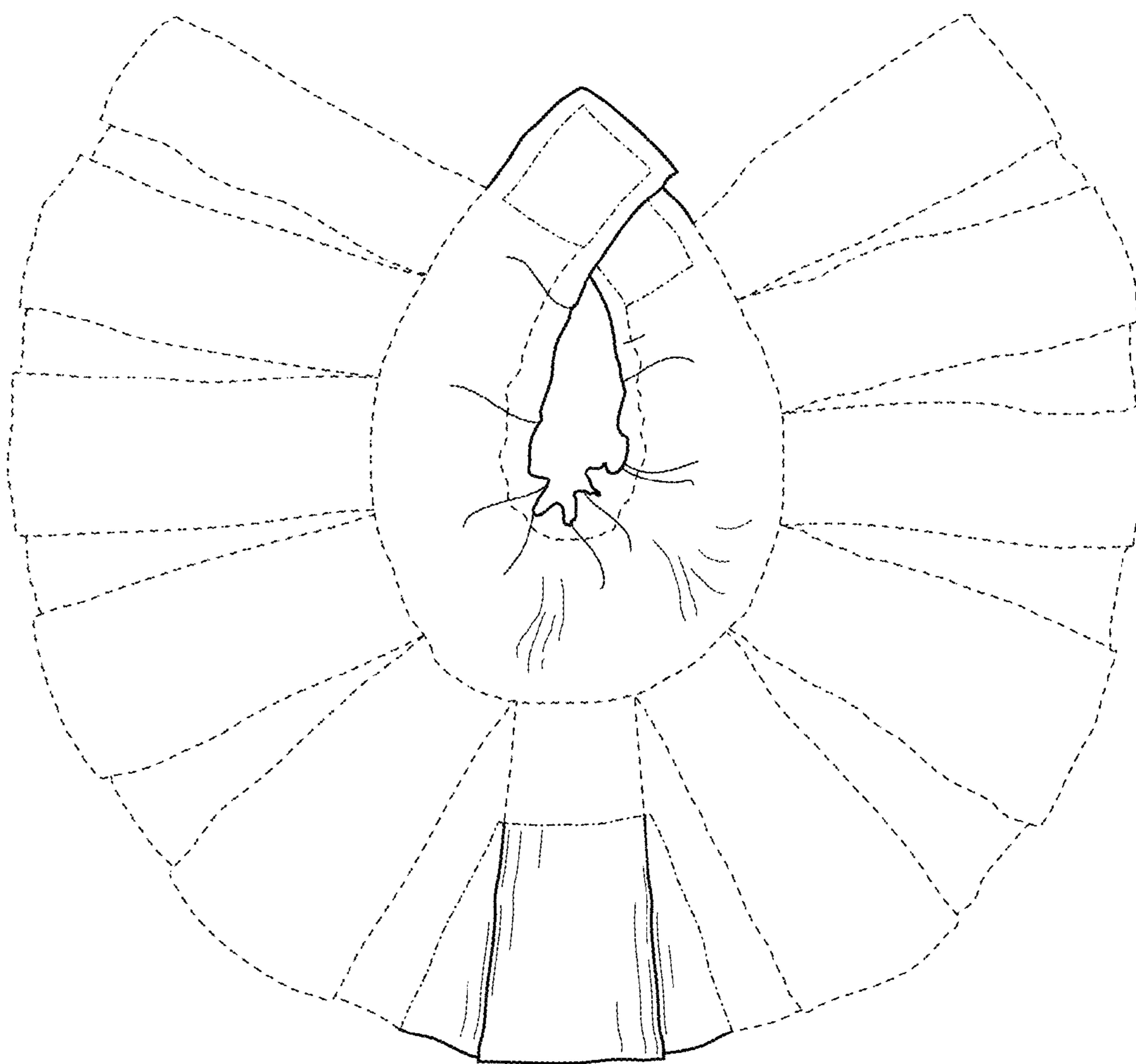


FIG. 22

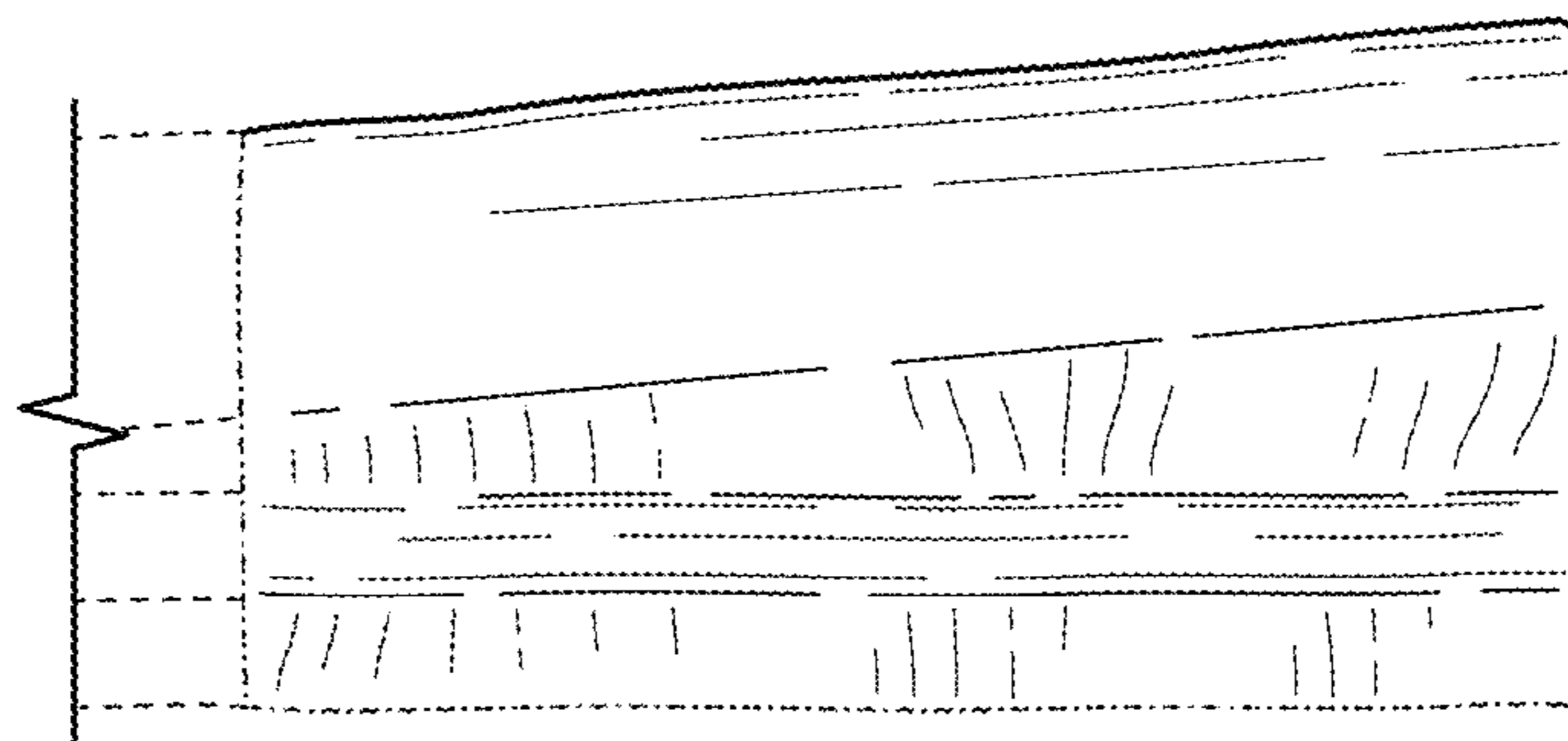


FIG. 23

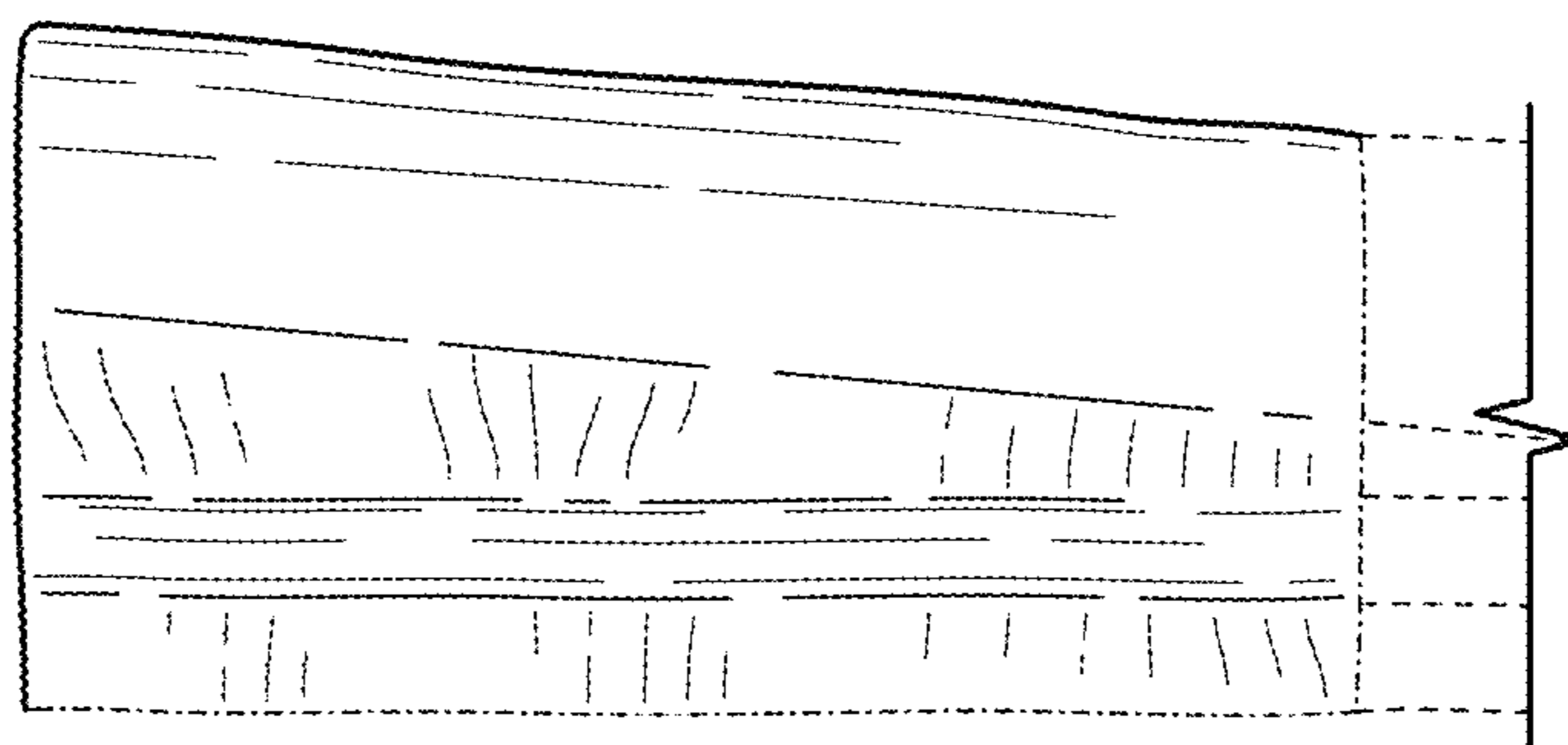


FIG. 24