

US00D749290S

(12) **United States Design Patent**
Pollmann

(10) **Patent No.:** **US D749,290 S**

(45) **Date of Patent:** **** Feb. 9, 2016**

(54) **AUTOMATIC TELLER MACHINE**

(71) Applicant: **Wincor Nixdorf International GmbH**,
Paderborn (DE)

(72) Inventor: **Gregor Pollmann**, Paderborn (DE)

(73) Assignee: **Wincor Nixdorf International GmbH**
(DE)

(**) Term: **14 Years**

(21) Appl. No.: **29/467,832**

(22) Filed: **Sep. 24, 2013**

(51) **LOC (10) Cl.** **20-01**

(52) **U.S. Cl.**
USPC **D99/28**

(58) **Field of Classification Search**
USPC D99/28, 34, 25, 26, 43, 99;
D14/300-302, 305, 307, 900-902;
D18/3.1-3.3, 4.1-4.6, 12.1-12.3;
D21/324, 325, 329, 369, 370; 101/66;
109/1 R, 1 V, 2, 23, 24.1, 25, 58, 58.5,
109/66; 446/8-13; 705/16, 17, 18, 42, 43,
705/44, 45; 235/51, 379, 380, 381, 382,
235/382.5, 386; 206/0.8, 0.81, 0.815, 0.82,
206/0.83, 0.84

CPC . G06Q 20/10; G06Q 20/108; G06Q 20/1085;
G06Q 20/18; G07D 1/00; G07D 1/02; G07D
1/04; G07D 1/06; G07D 11/00; G07D 9/002;
G07D 9/04; G07F 19/20; G07F 19/201;
G07F 19/202; G07F 19/203; G07F 19/204;
G07F 19/205; G07F 19/21; G07F 19/00;
G07F 7/04; G07F 5/00; G07F 1/00; E05G
7/001; E05G 1/006; A63H 33/00; A63G
33/005

See application file for complete search history.

(56) **References Cited**

U.S. PATENT DOCUMENTS

D282,937 S	3/1986	Di Benedetto et al.	
D308,275 S	5/1990	Garten et al.	
D318,553 S	7/1991	Brown	
5,202,549 A *	4/1993	Decker	G07F 19/201 235/375
D377,170 S	1/1997	Wilson	
D388,229 S	12/1997	Couch	
D395,129 S	6/1998	Johnson	
D395,458 S	6/1998	Smith et al.	
D427,742 S	7/2000	McCormack et al.	
D429,401 S	8/2000	Sato et al.	

(Continued)

Primary Examiner — Elizabeth J Oswecki

(74) *Attorney, Agent, or Firm* — Harness, Dickey & Pierce,
P.L.C.

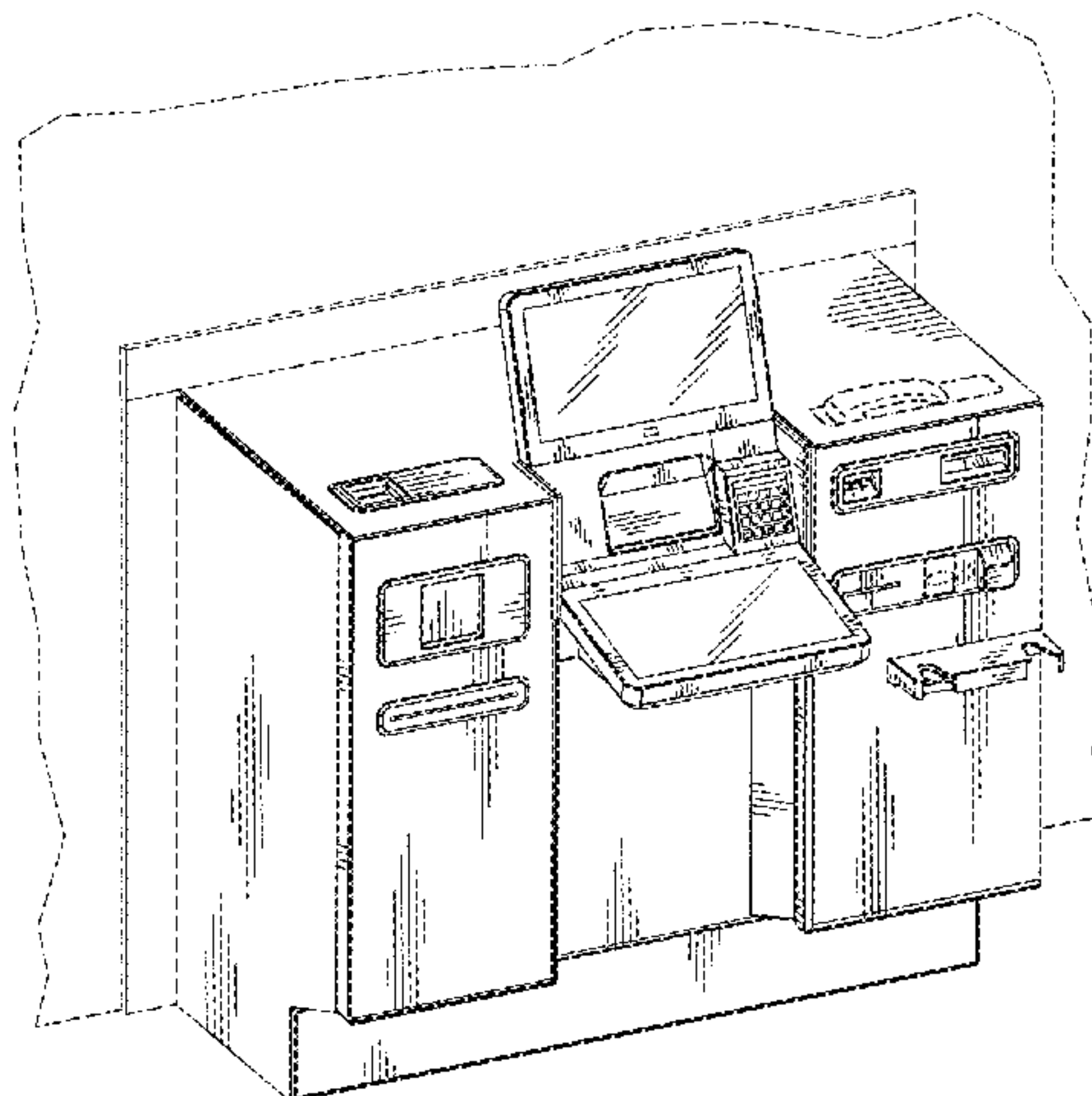
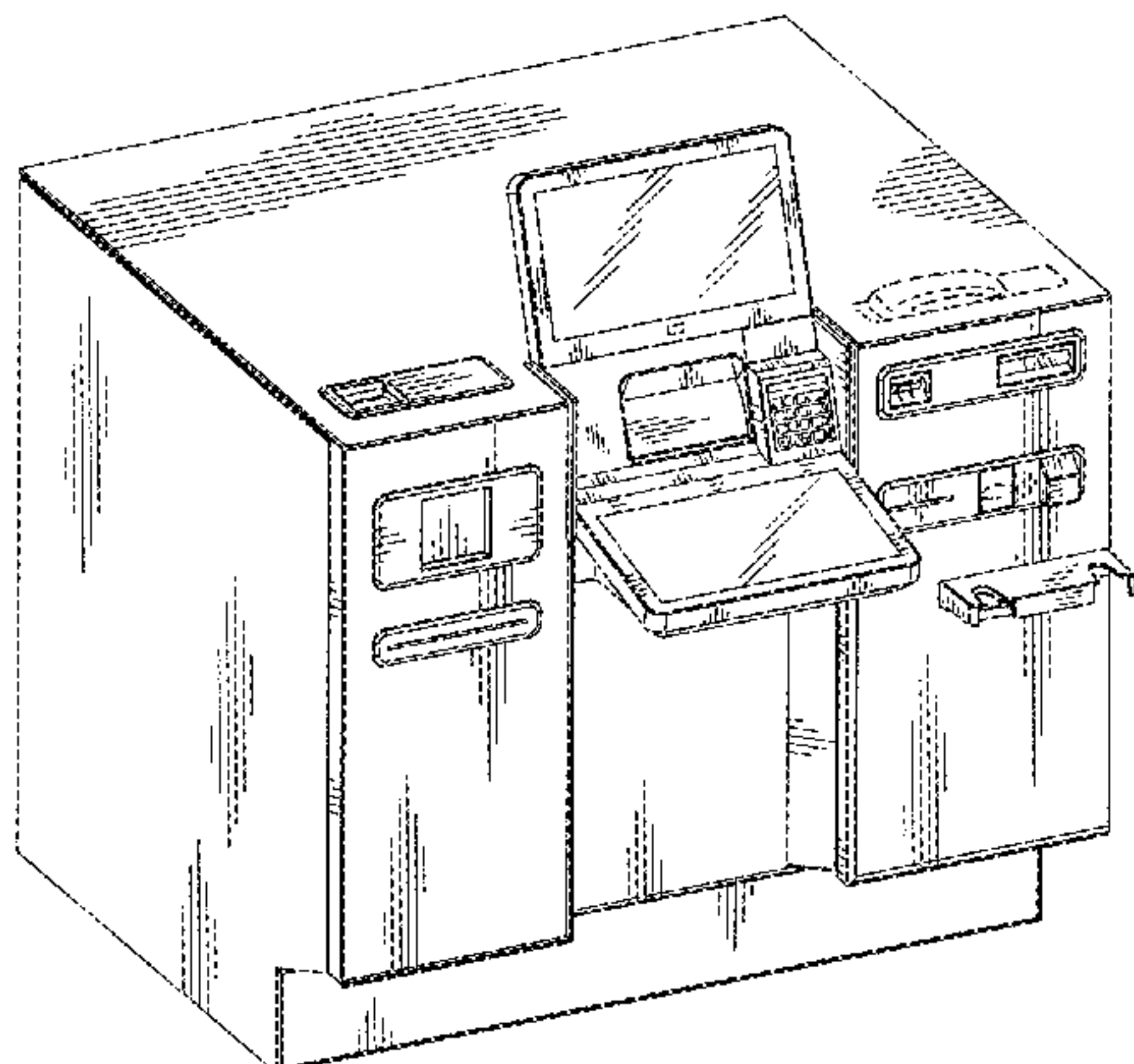
(57) **CLAIM**

The ornamental design for an automatic teller machine, as
shown and described.

DESCRIPTION

FIG. 1 is a front elevational view of a first embodiment of an
automated teller machine showing my new design;
FIG. 2 is a rear elevational view thereof;
FIG. 3 is a left side elevational view thereof;
FIG. 4 is a right side elevational view thereof;
FIG. 5 is a top plan view thereof;
FIG. 6 is a bottom plan view thereof;
FIG. 7 is a top, left perspective view thereof;
FIG. 8 is a front elevational view of a second embodiment of
an automated teller machine showing my new design in a used
condition with the adjacent environmental components
shown in broken lines;
FIG. 9 is a rear elevational view thereof;
FIG. 10 is a left side elevational view thereof;
FIG. 11 is a right side elevational view thereof;
FIG. 12 is a top plan view thereof;
FIG. 13 is a bottom plan view thereof; and,
FIG. 14 is a top, left side perspective view thereof.
The broken lines shown in the drawings represent portions of
the automatic teller machine that form no part of the claimed
design.

1 Claim, 14 Drawing Sheets



(56)

References Cited

U.S. PATENT DOCUMENTS

D436,630 S	1/2001	Gonsiorowski et al.		D648,953 S	11/2011	Kruse	
D449,420 S *	10/2001	Sommerville	D99/28	D652,650 S	1/2012	Kruse	
D449,726 S	10/2001	Lin		D661,727 S	6/2012	Bleck et al.	
D451,968 S	12/2001	Sano		D663,765 S	7/2012	Bleck et al.	
D456,587 S *	4/2002	Kit	D99/28	D669,525 S	10/2012	Bleck et al.	
D461,907 S *	8/2002	Bain	D14/307	D671,164 S	11/2012	Bleck et al.	
D471,192 S	3/2003	Lin et al.		D678,652 S	3/2013	Budde et al.	
D483,760 S	12/2003	Berr et al.		D679,885 S *	4/2013	Pollmann	D99/28
D483,761 S	12/2003	Berr et al.		D689,665 S	9/2013	Pollmann et al.	
7,191,948 B1	3/2007	Baitz et al.		D696,484 S *	12/2013	Lee	D99/28
D581,934 S	12/2008	Kruse et al.		D696,485 S *	12/2013	Lee	D99/28
D584,875 S	1/2009	Bleck		D707,013 S *	6/2014	Perez Pina	D99/28
D589,048 S	3/2009	Nossek		D707,014 S *	6/2014	Perez Pina	D99/28
D590,575 S	4/2009	Bleck		D708,814 S *	7/2014	Lee	D99/28
D603,125 S	10/2009	Bartolome		D709,264 S *	7/2014	Lee	D99/28
D605,190 S	12/2009	Kuroda et al.		D713,115 S *	9/2014	Perez Pina	D99/28
D623,375 S *	9/2010	Douglass	D99/28	D721,215 S *	1/2015	Lee	D99/28
D625,305 S	10/2010	Bleck et al.		D724,812 S *	3/2015	Cha	D99/28
D626,544 S	11/2010	Bleck et al.		D732,263 S *	6/2015	Budde	D99/28
D626,545 S	11/2010	Bleck et al.		D736,407 S *	8/2015	Priest	D14/900
D628,764 S	12/2010	Bleck et al.		2004/0262379 A1 *	12/2004	Gomes	G06Q 30/06 235/379
D629,585 S	12/2010	Bleck et al.		2005/0029340 A1 *	2/2005	Ferraro	G07F 7/00 235/379
D631,264 S	1/2011	Kruse		2008/0296365 A1 *	12/2008	Schliebe	G01G 19/52 235/379
D631,634 S	1/2011	Bleck et al.		2009/0057398 A1 *	3/2009	Douglass	G07F 19/20 235/379
D631,676 S	2/2011	Kruse					
D645,223 S	9/2011	Bleck et al.					

* cited by examiner

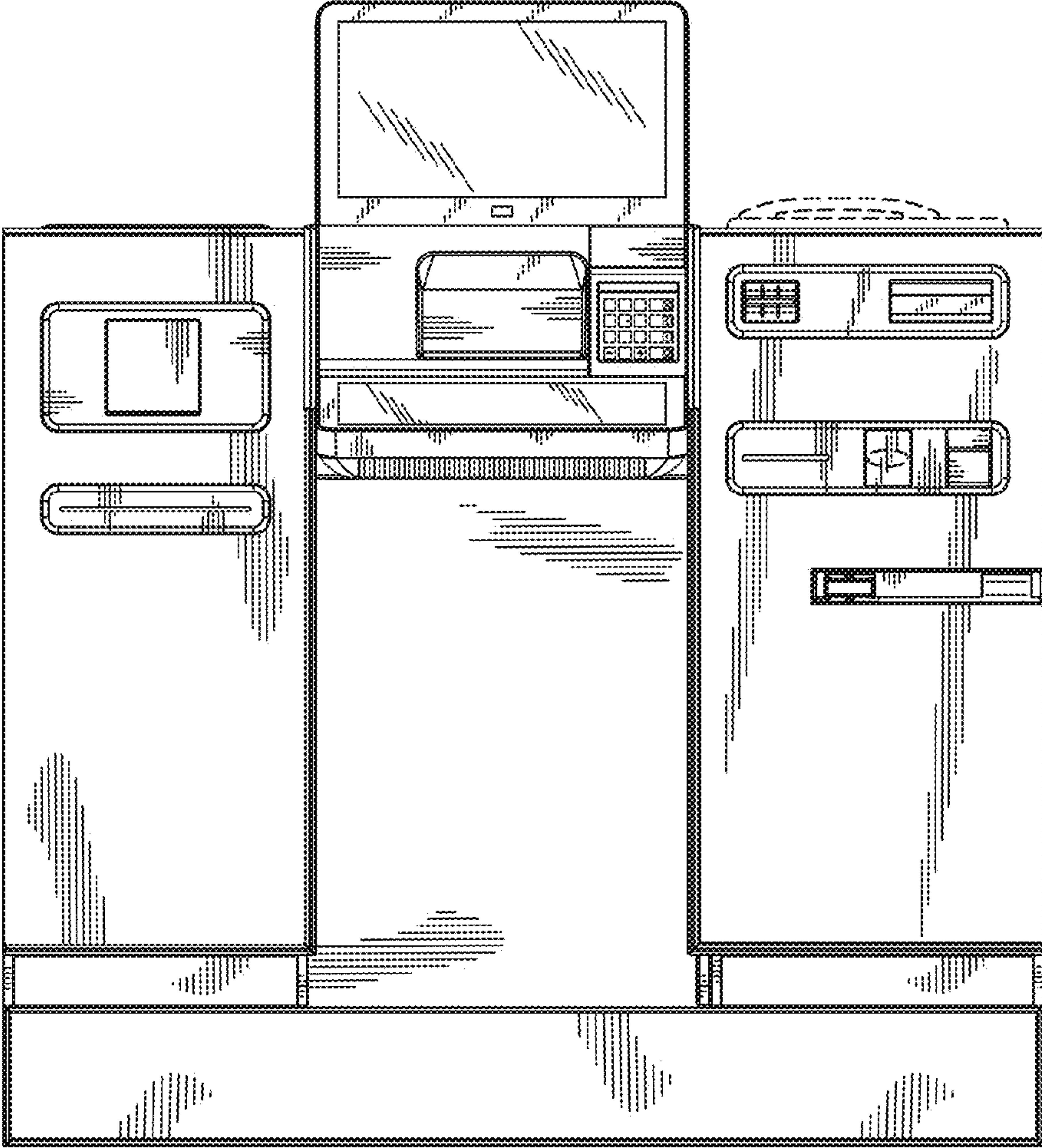


FIG. 1

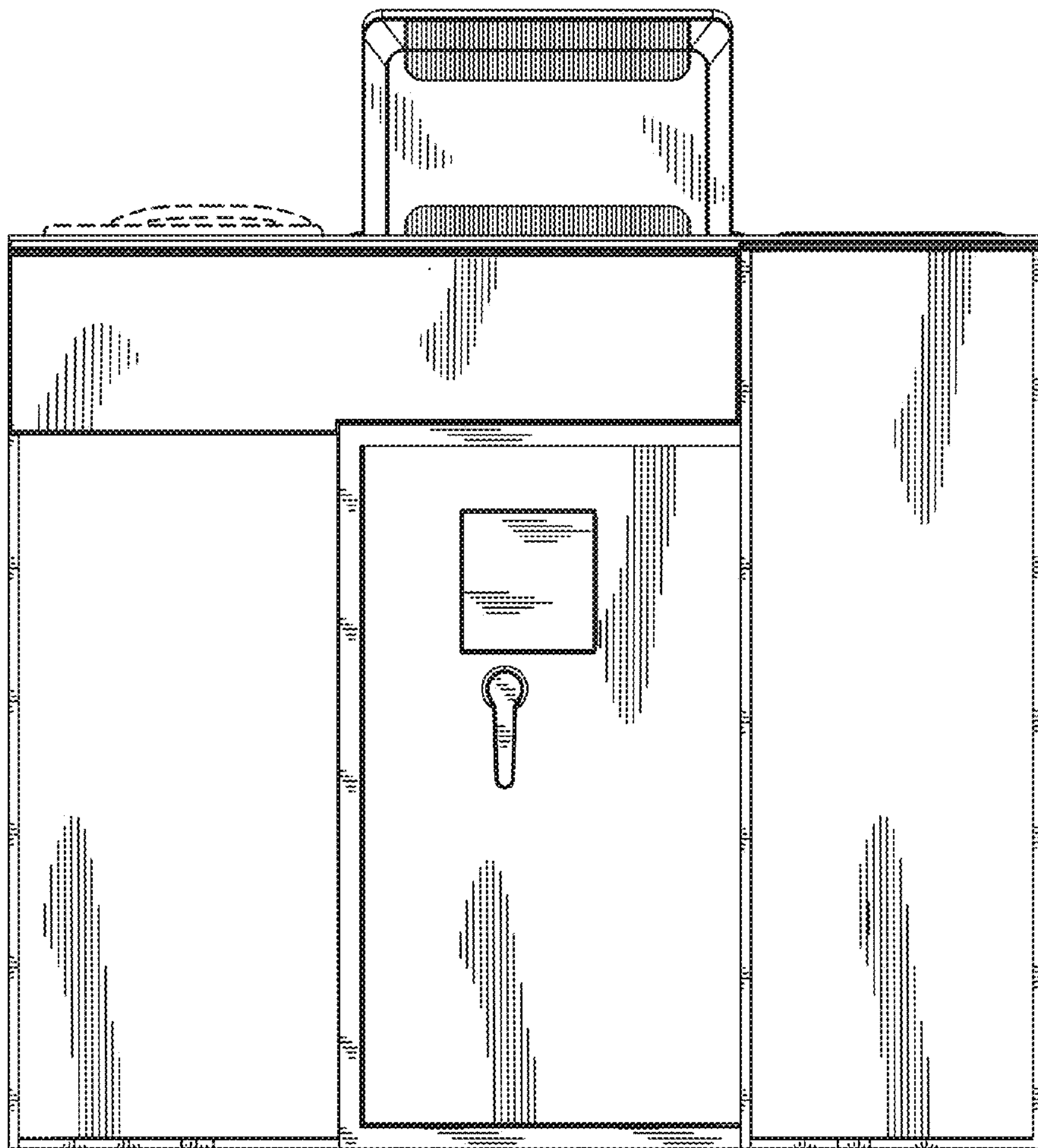


FIG. 2

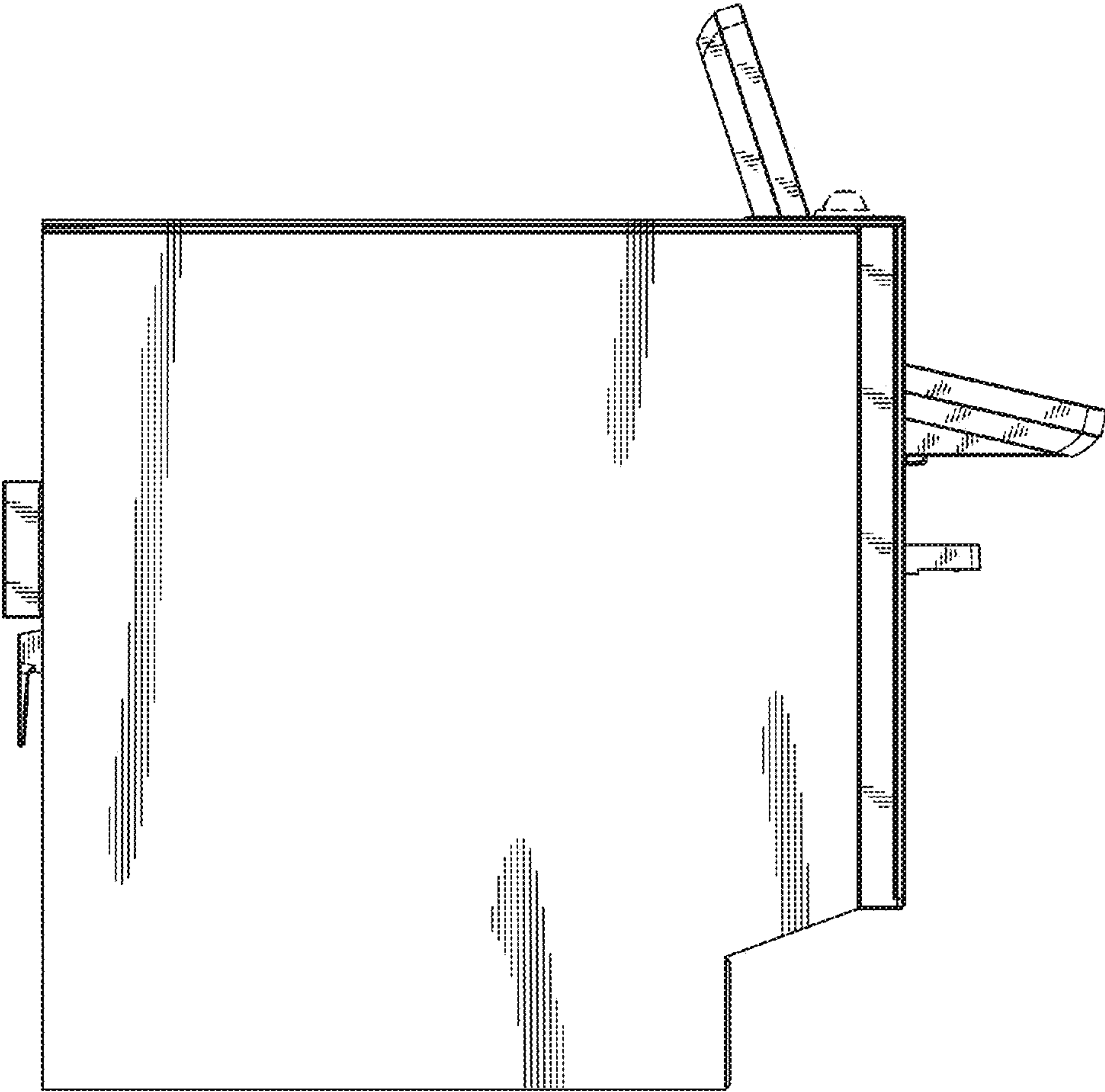


FIG. 3

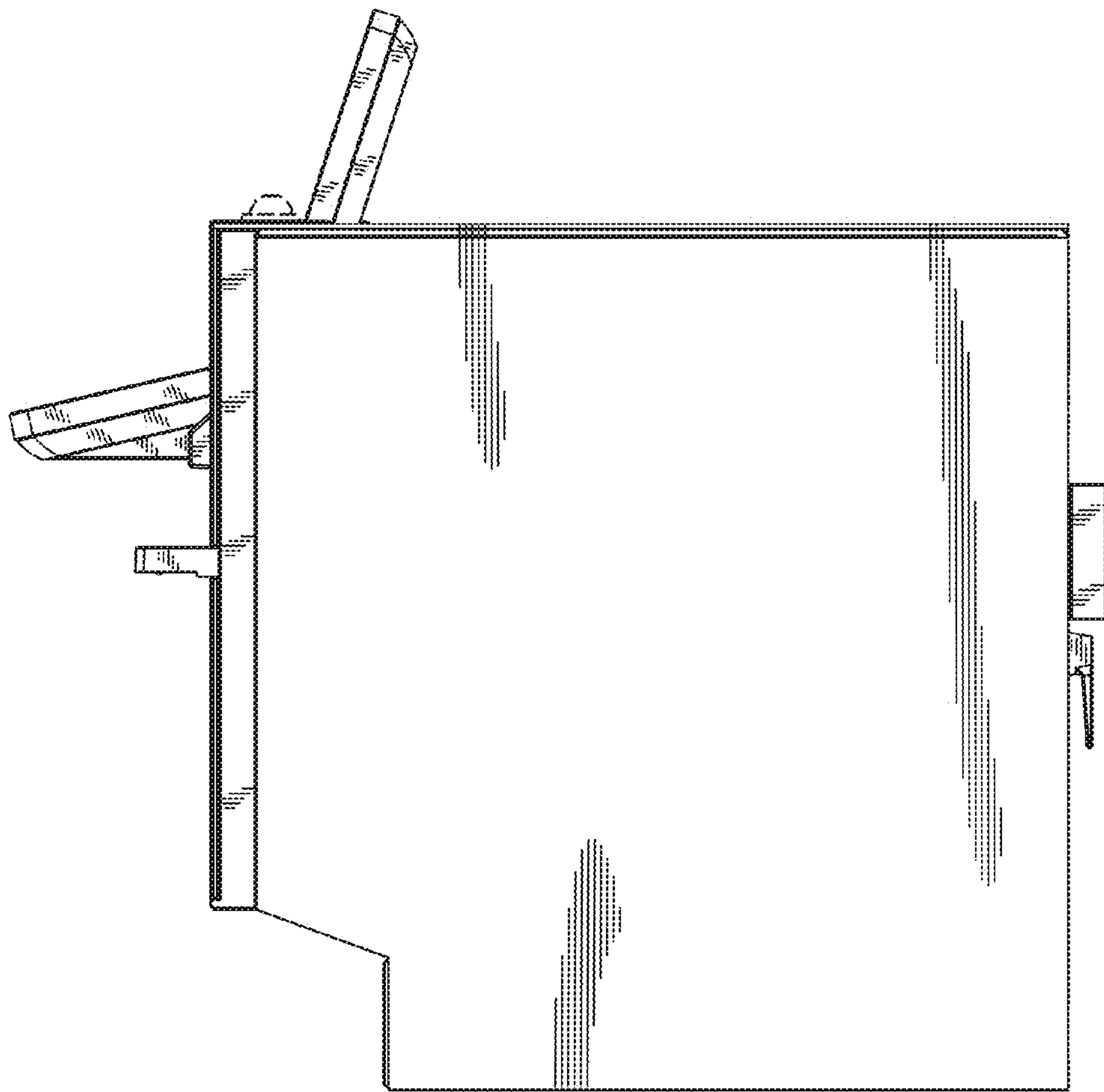


FIG. 4

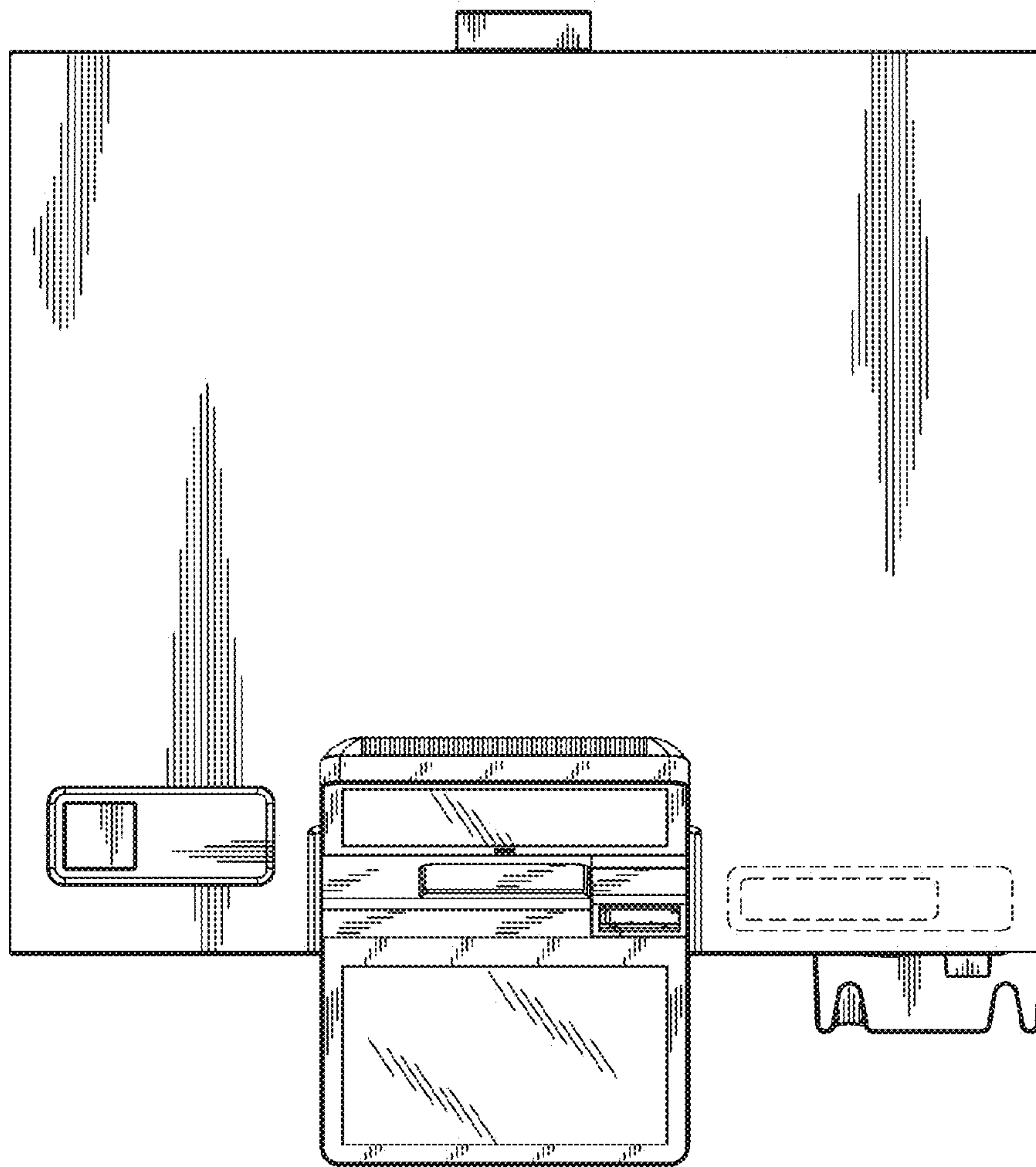


FIG. 5

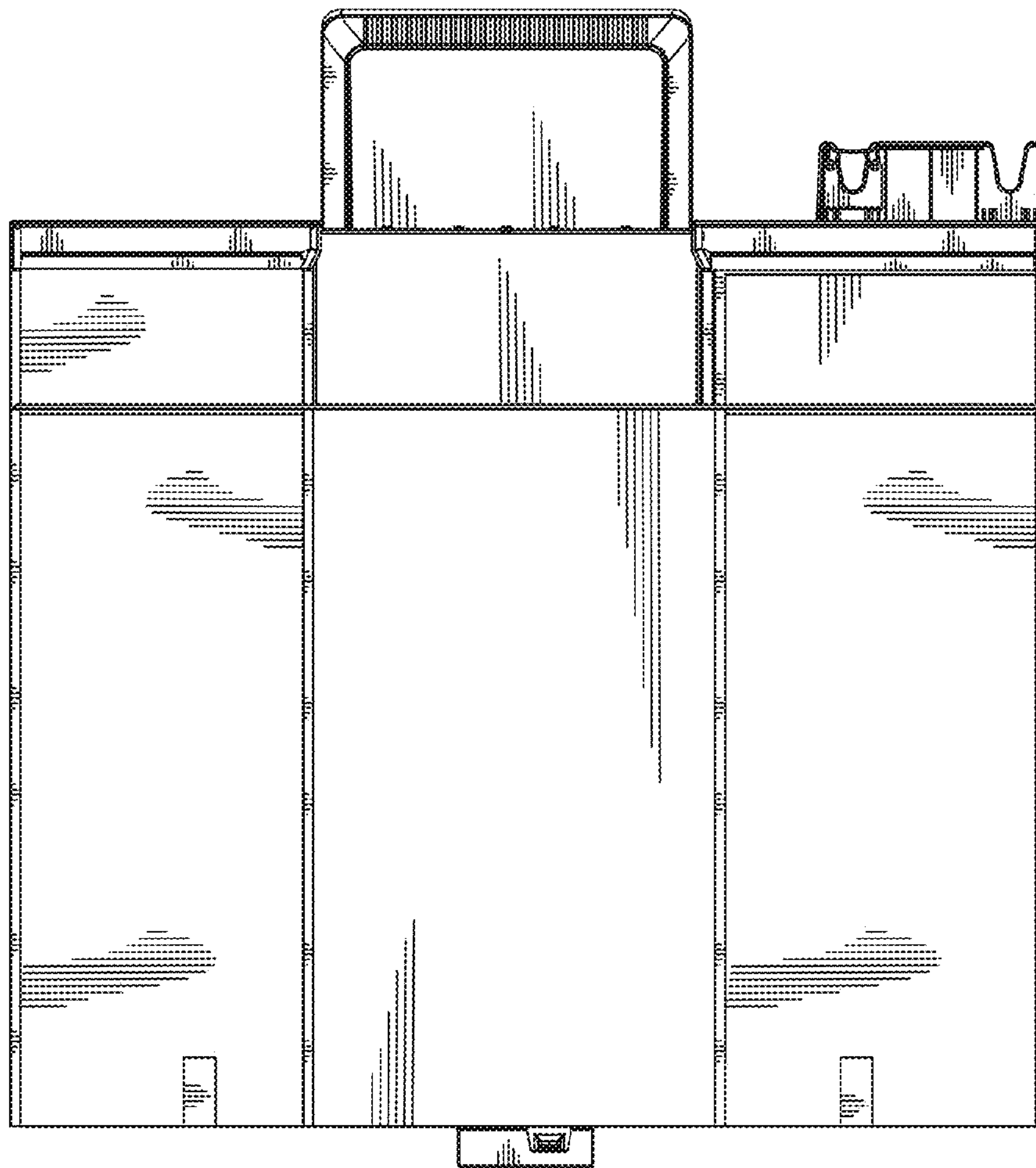


FIG. 6

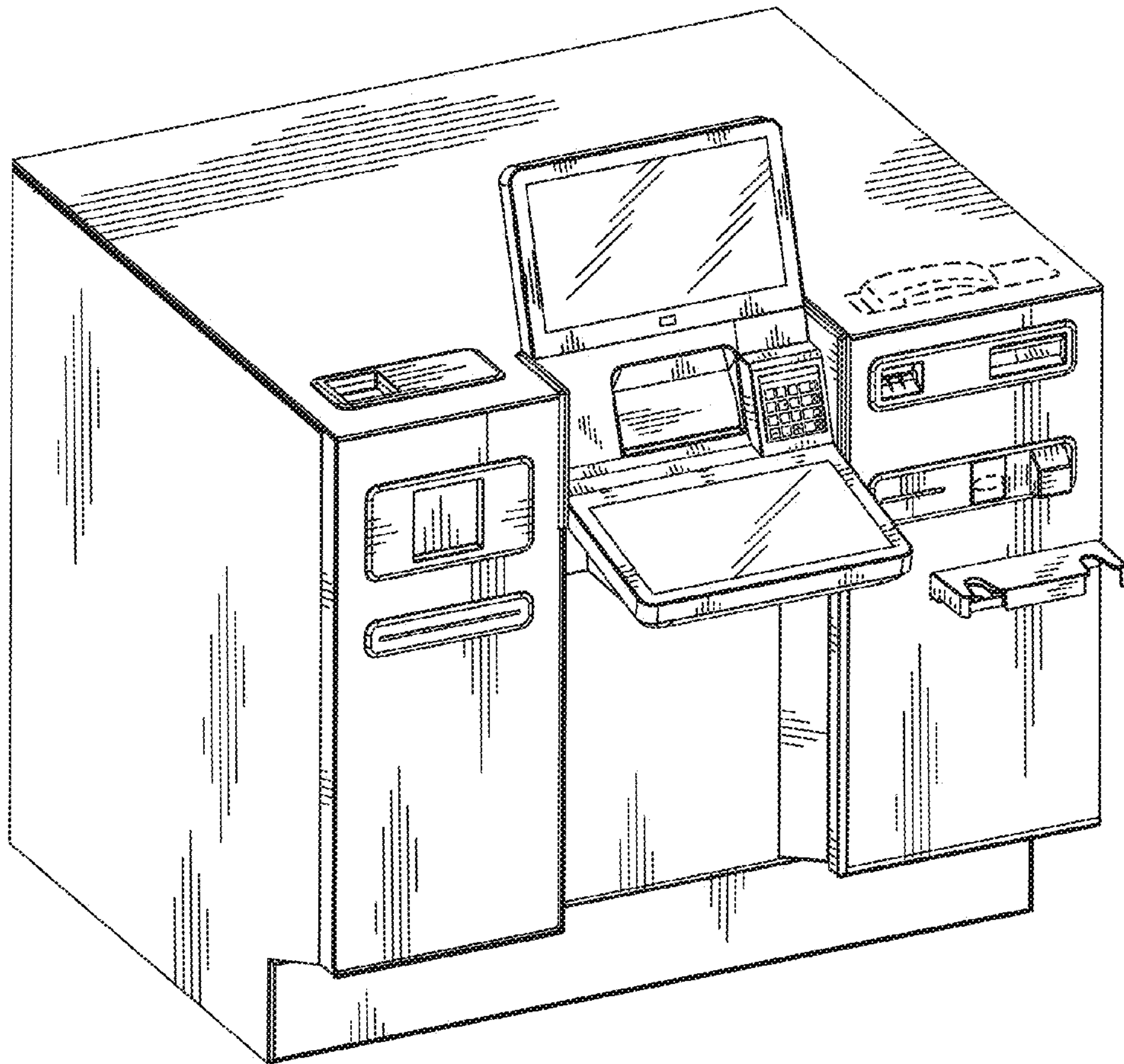


FIG. 7

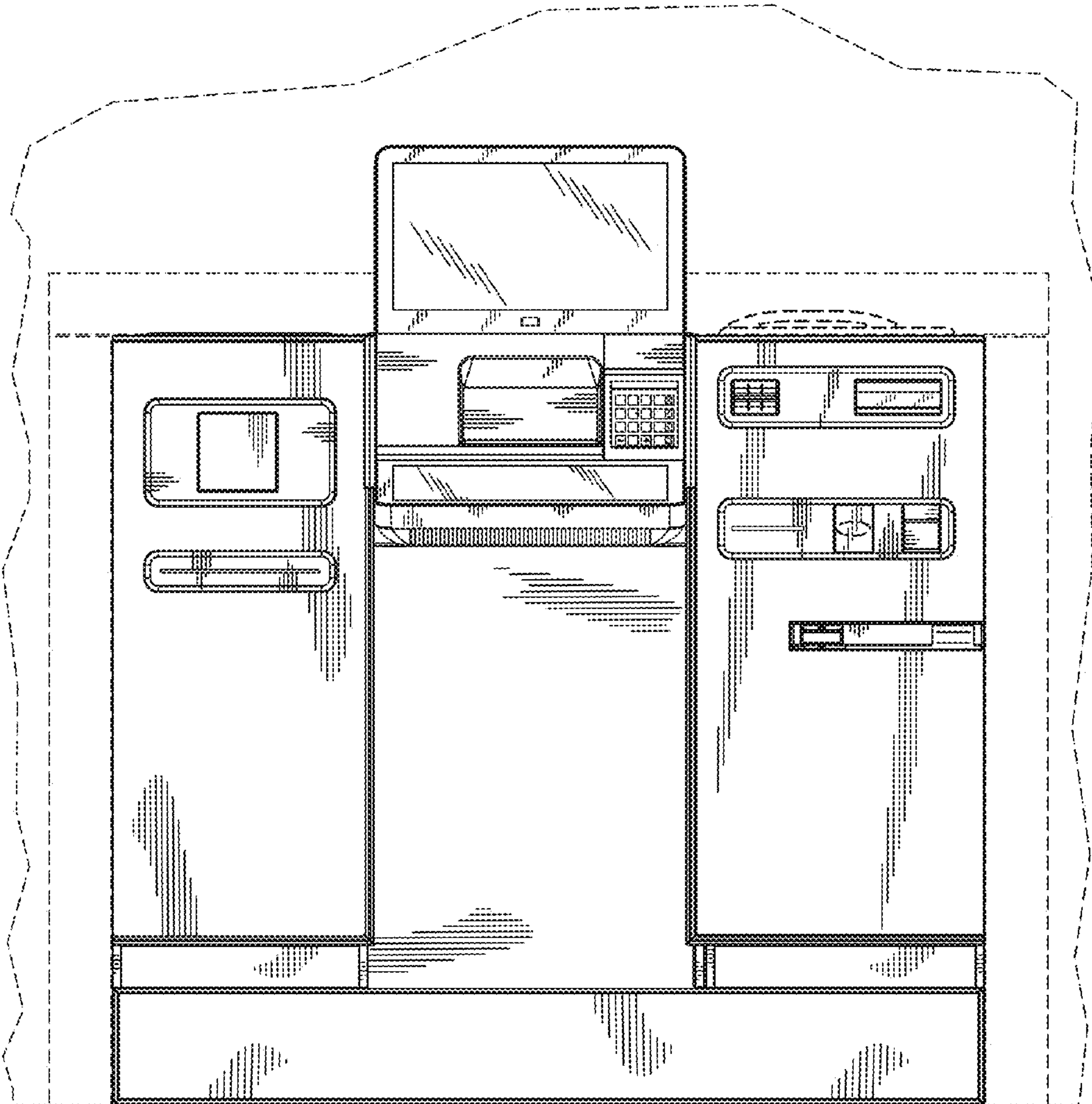


FIG. 8

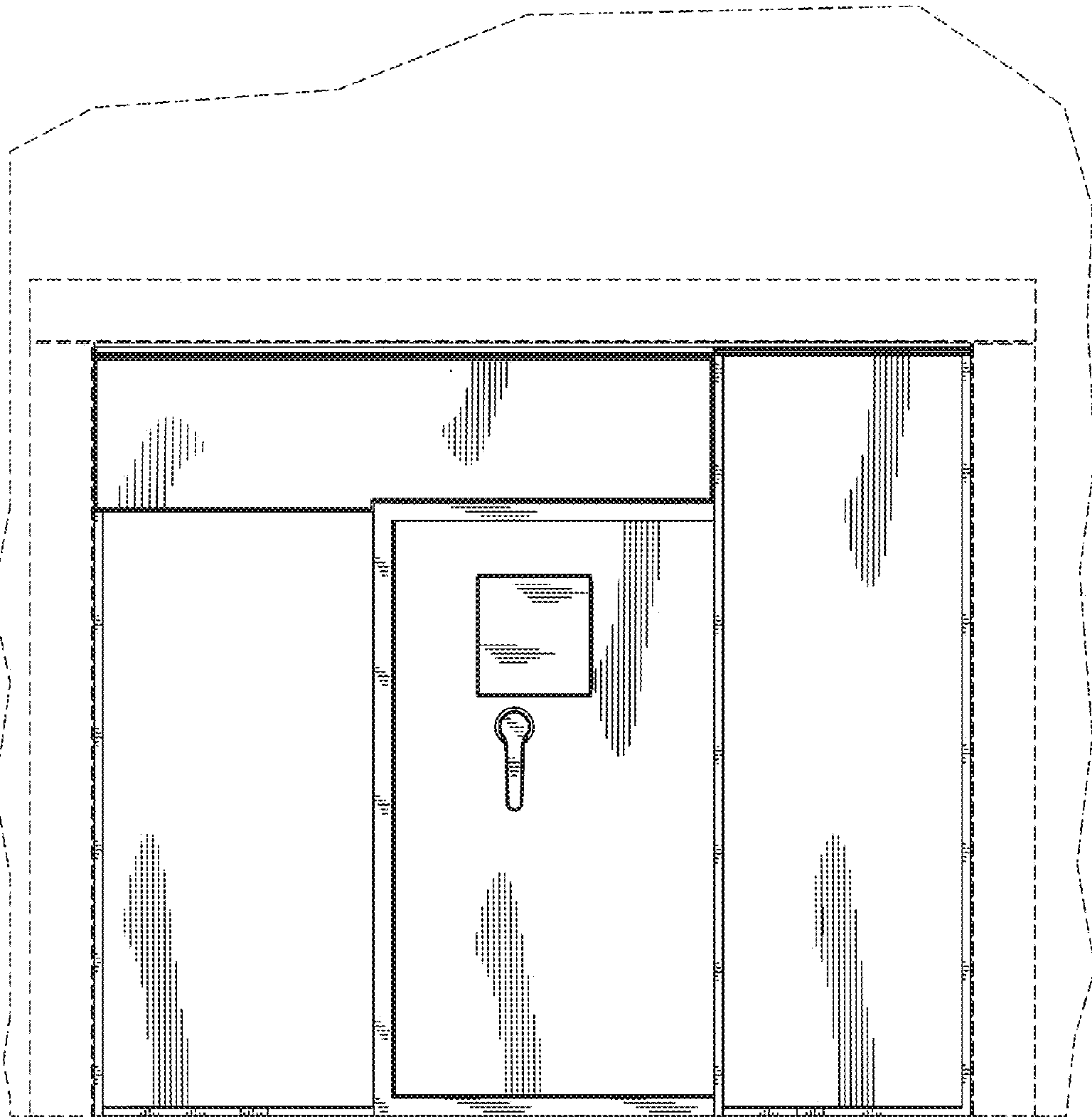


FIG. 9

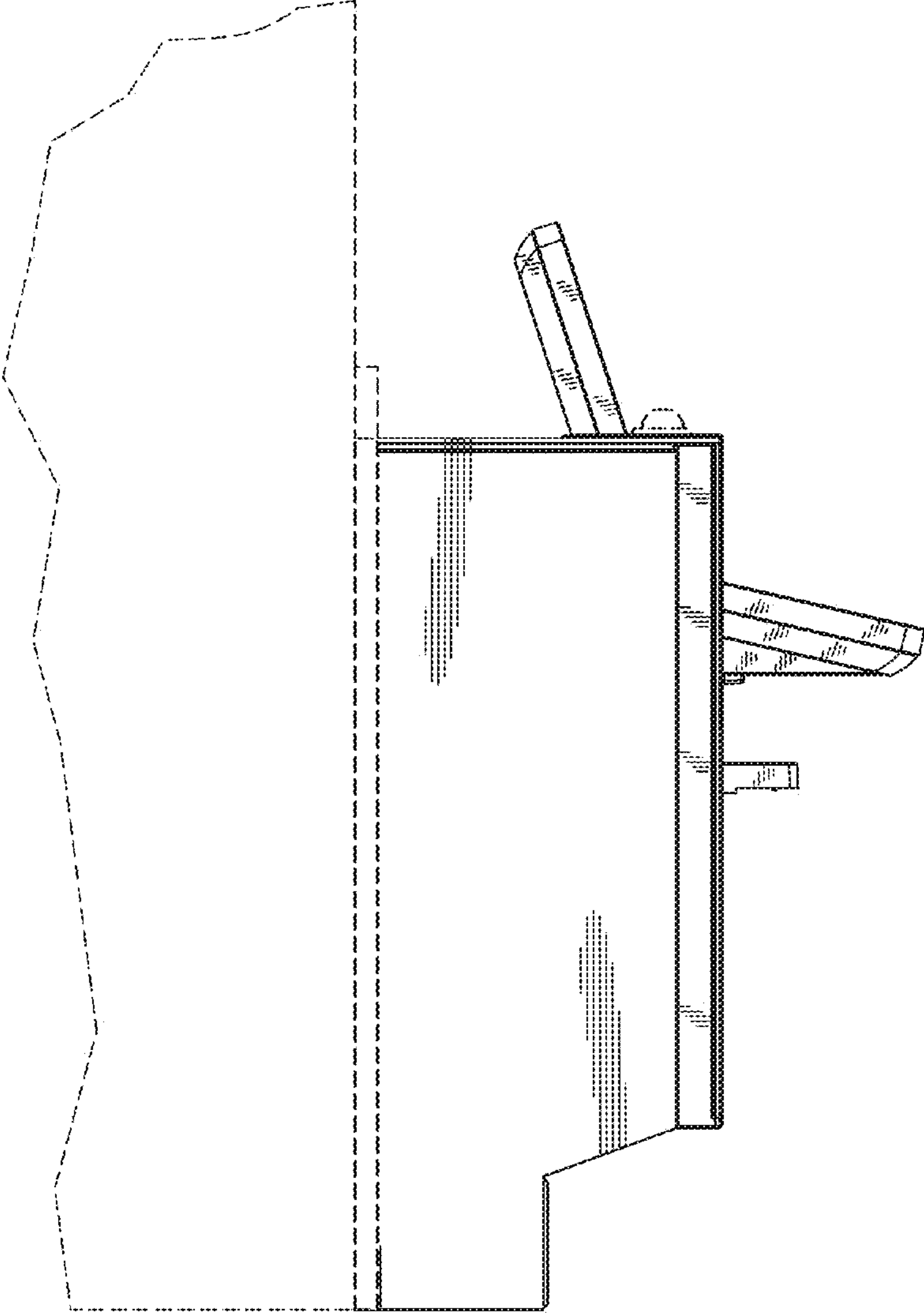


FIG. 10

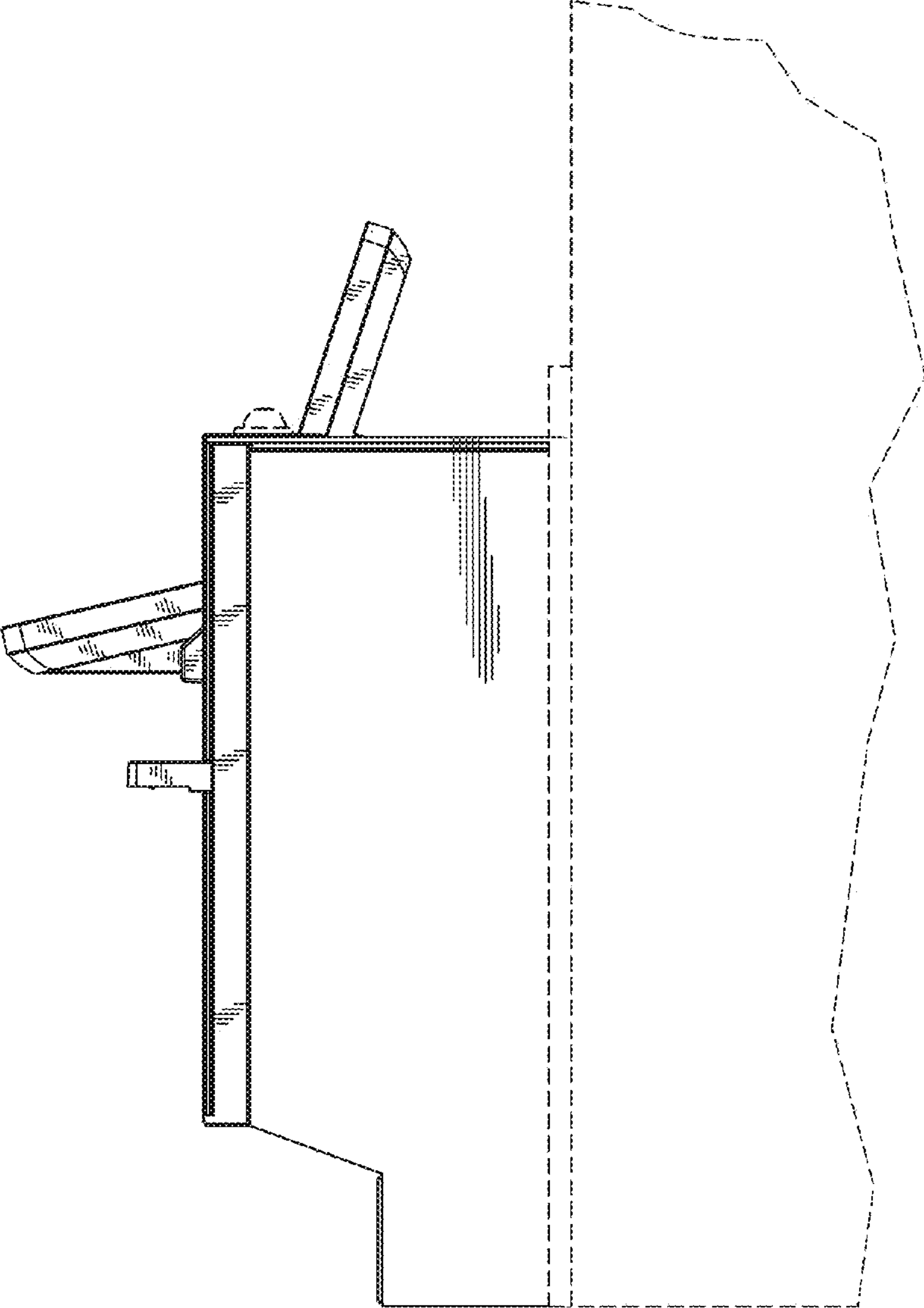


FIG. 11

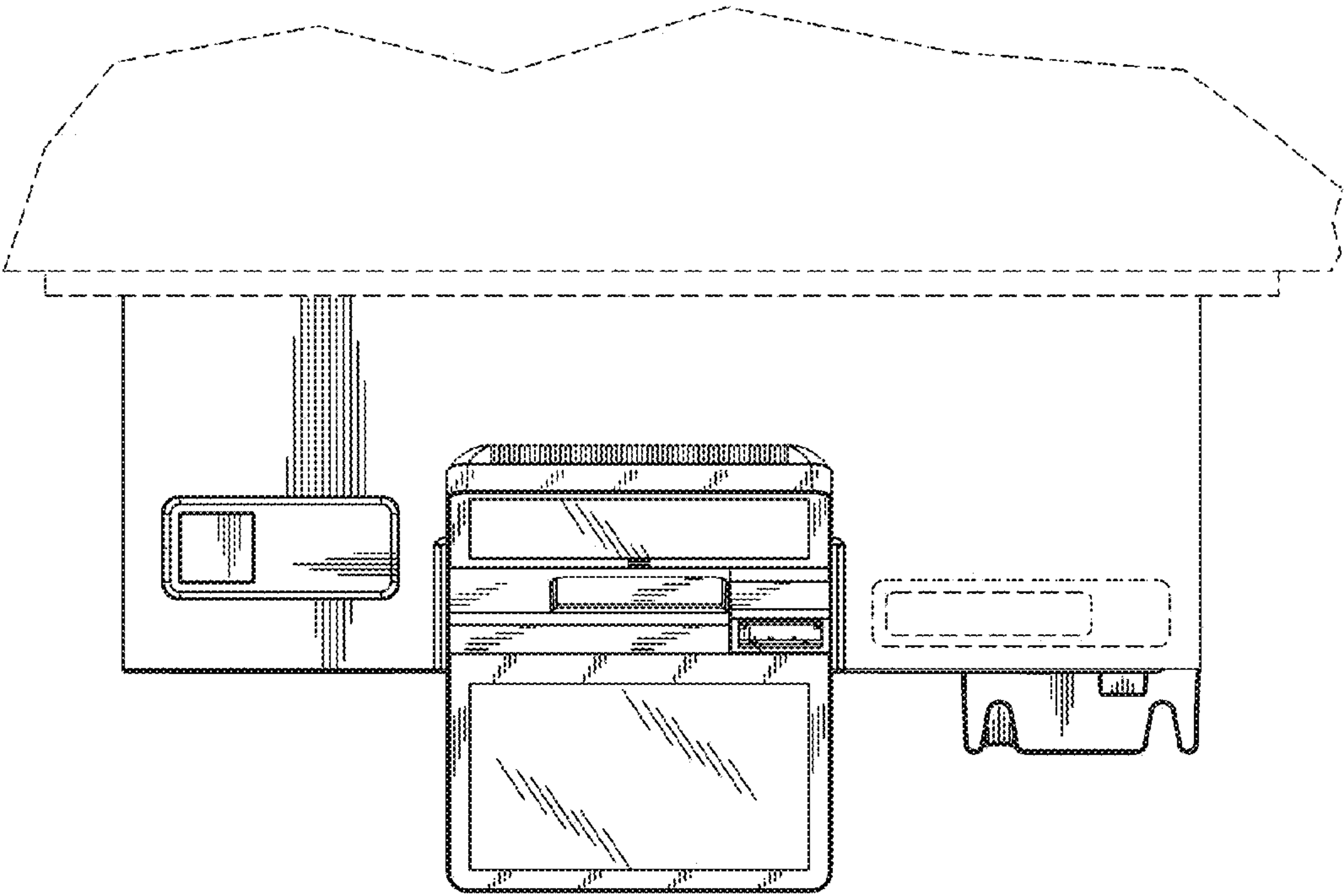


FIG. 12

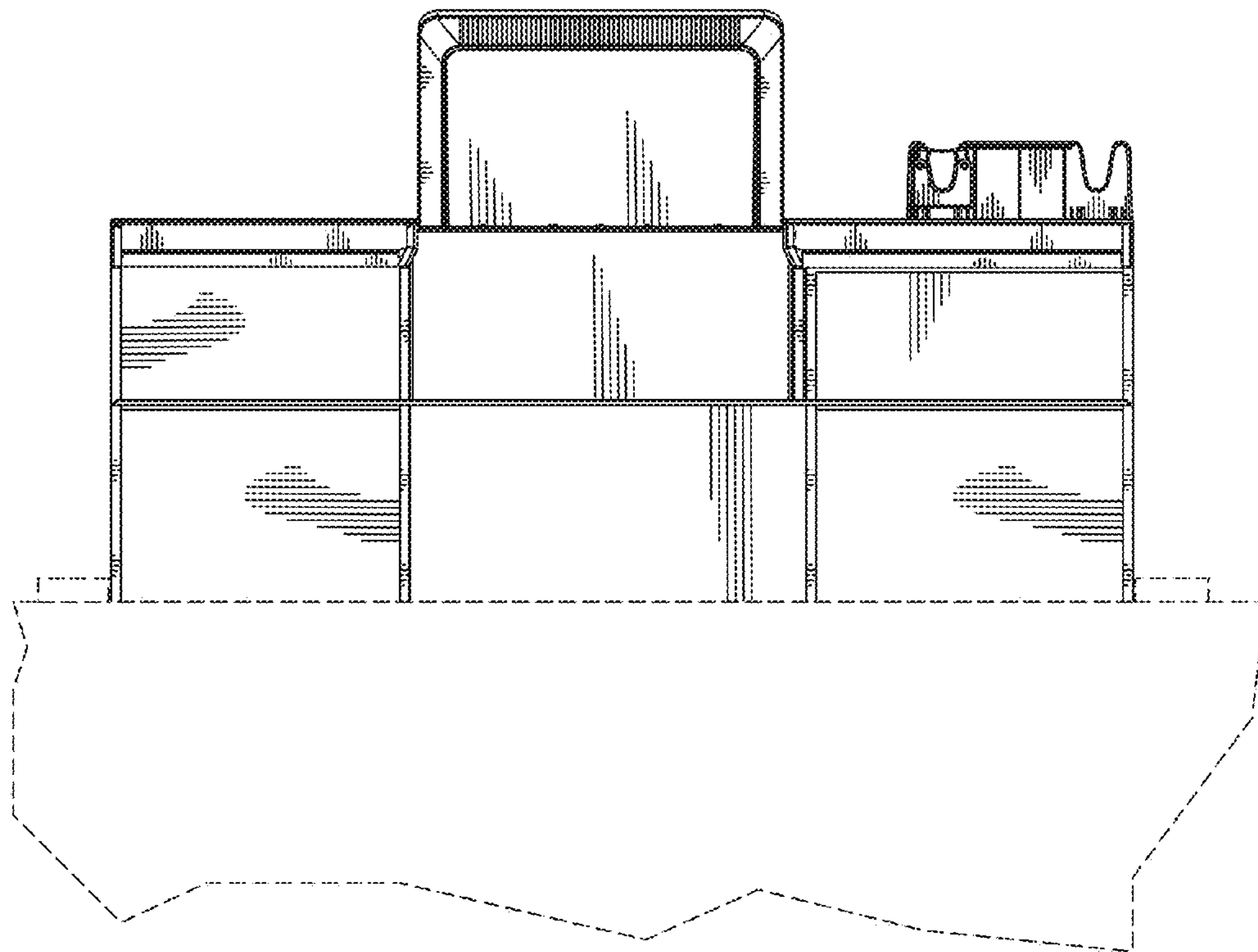


FIG. 13

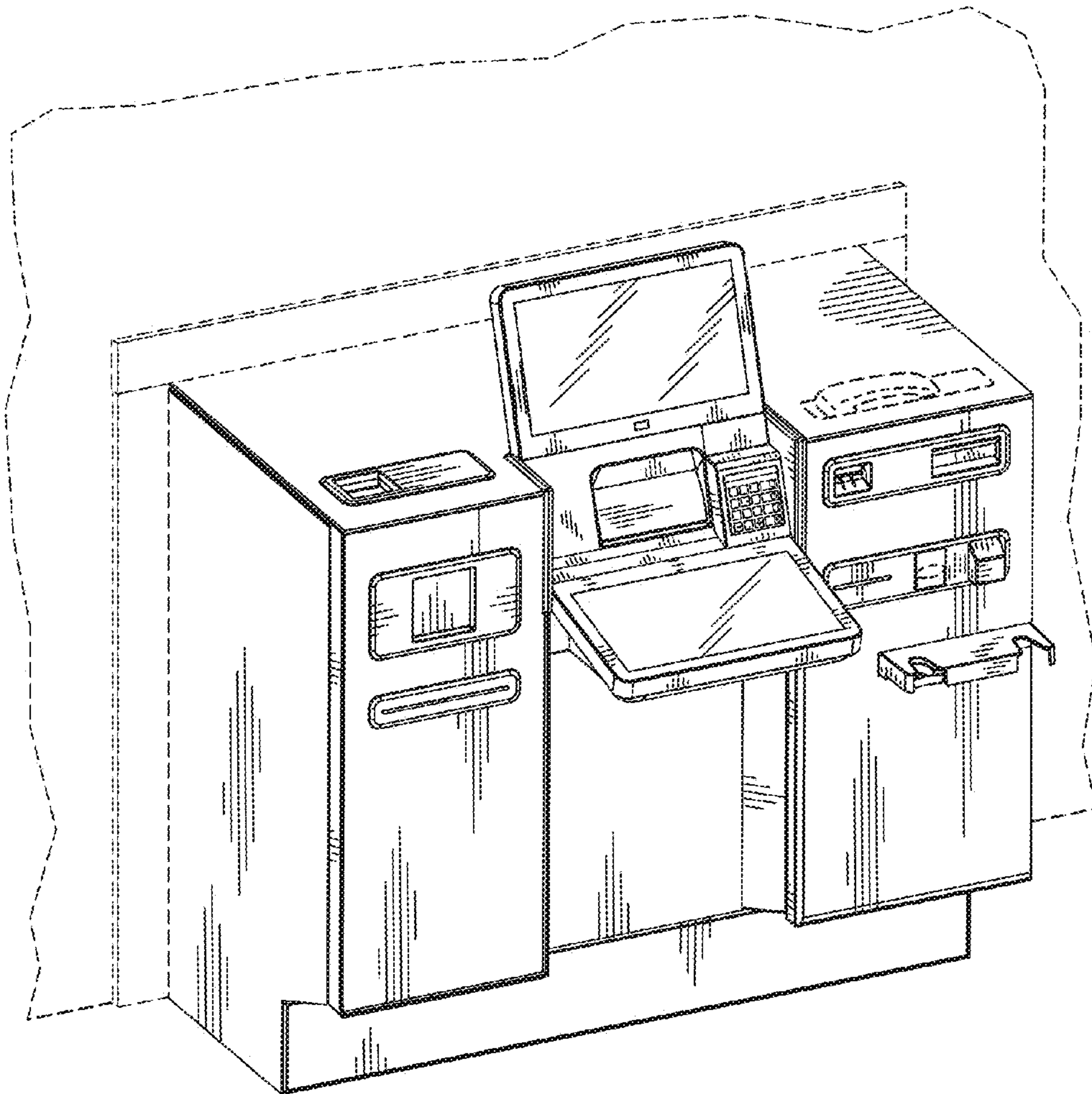


FIG. 14