



US00D749289S

(12) **United States Design Patent**
Richards

(10) **Patent No.:** **US D749,289 S**
(45) **Date of Patent:** **** Feb. 9, 2016**

- (54) **FORKLIFT FORK TIP**
- (71) Applicant: **Cascade Corporation**, Fairview, OR
(US)
- (72) Inventor: **Lawrence E. Richards**, Springfield, OH
(US)
- (73) Assignee: **Cascade Corporation**, Fairview, OR
(US)
- (**) Term: **14 Years**
- (21) Appl. No.: **29/499,326**
- (22) Filed: **Aug. 13, 2014**
- (51) **LOC (10) Cl.** **12-05**
- (52) **U.S. Cl.**
USPC **D34/35; D34/34**
- (58) **Field of Classification Search**
USPC D34/34, 35; 414/607, 785, 495;
187/237
CPC B66F 9/12; B66F 9/18; B66F 9/061;
B66F 9/06; B66F 9/122; B66F 9/02; B66F
9/187; B66F 9/19; B66F 17/003; B62B
2203/29; B62B 2202/02
See application file for complete search history.

- D587,425 S 2/2009 Mori et al.
- D608,074 S 1/2010 Berger et al.
- D612,563 S 3/2010 Stark
- D651,783 S 1/2012 Shibata et al.
- D652,194 S 1/2012 Shibata et al.
- D683,925 S 6/2013 Dickinson et al.

(Continued)

FOREIGN PATENT DOCUMENTS

- CA 143684 10/2012
- EP 001317093-0001 3/2012

(Continued)

OTHER PUBLICATIONS

Cascade Corporation, Fork Facts (book) Tip Locator Bars item on p. 50, Jan. 2011.

Primary Examiner — Cynthia Ramirez
(74) *Attorney, Agent, or Firm* — Chernoff, Vilhauer, McClung & Stenzel, LLP

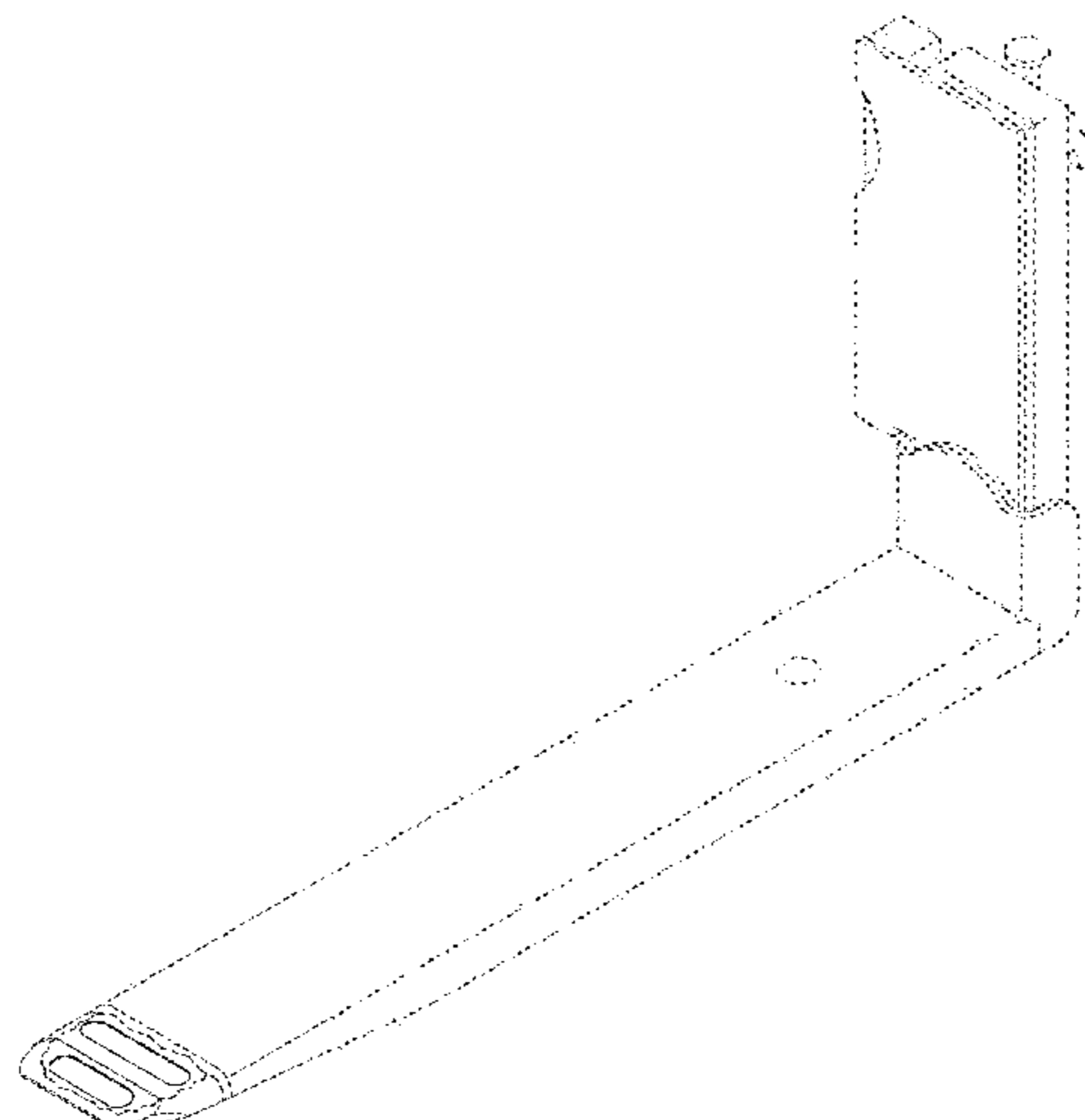
(57) **CLAIM**
The ornamental design for a forklift fork tip, as shown and described.

DESCRIPTION

FIG. 1 is a top, front isometric view of a forklift fork tip showing my new design;
FIG. 2 is a bottom, rear isometric view thereof;
FIG. 3 an enlarged top, front isometric view thereof;
FIG. 4 is a left side elevational view, the right side being a mirror image thereof;
FIG. 5 is an enlarged top plan view thereof;
FIG. 6 is an enlarged front elevational view thereof; and,
FIG. 7 is an enlarged bottom plan view thereof.
The broken line showing of a forklift fork is included for the purpose of illustrating environment and forms no part of the claimed design. The broken lines immediately adjacent to the shaded areas of the drawing represent unclaimed boundaries of the design.

1 Claim, 4 Drawing Sheets

- (56) **References Cited**
U.S. PATENT DOCUMENTS
- 4,290,729 A 9/1981 Cary
- 5,221,176 A * 6/1993 Allen B66F 9/12
414/607
- 5,575,608 A 11/1996 Yau et al.
- D427,409 S 6/2000 Sato et al.
- D461,942 S 8/2002 Gallagher
- D464,785 S 10/2002 Gallagher
- 6,471,465 B2 10/2002 Albertyn
- 6,540,241 B2 * 4/2003 Lee B62D 21/14
254/2 C
- D492,833 S 7/2004 Henshaw et al.
- D526,460 S 8/2006 Goto et al.
- D548,923 S 8/2007 Niebuhr
- D571,073 S 6/2008 Buchmann et al.



(56)

References Cited

U.S. PATENT DOCUMENTS

D684,334 S 6/2013 Dickinson et al.
D684,335 S 6/2013 Dickinson et al.
D703,908 S * 4/2014 Hiraoka D34/34
8,714,311 B2 * 5/2014 Billger B66F 9/08
187/227
2003/0235489 A1 12/2003 Hoff
2004/0161327 A1 8/2004 Paxton et al.
2005/0129494 A1 6/2005 Chandler et al.
2007/0116547 A1 5/2007 Bulkeley

2008/0135341 A1 6/2008 Pollard
2008/0310946 A1 * 12/2008 Allen B66F 9/12
414/785
2010/0068023 A1 3/2010 Kuck et al.
2012/0076624 A1 3/2012 Magoto

FOREIGN PATENT DOCUMENTS

EP 001317093-0002 3/2012
EP 001317093-0003 3/2012

* cited by examiner

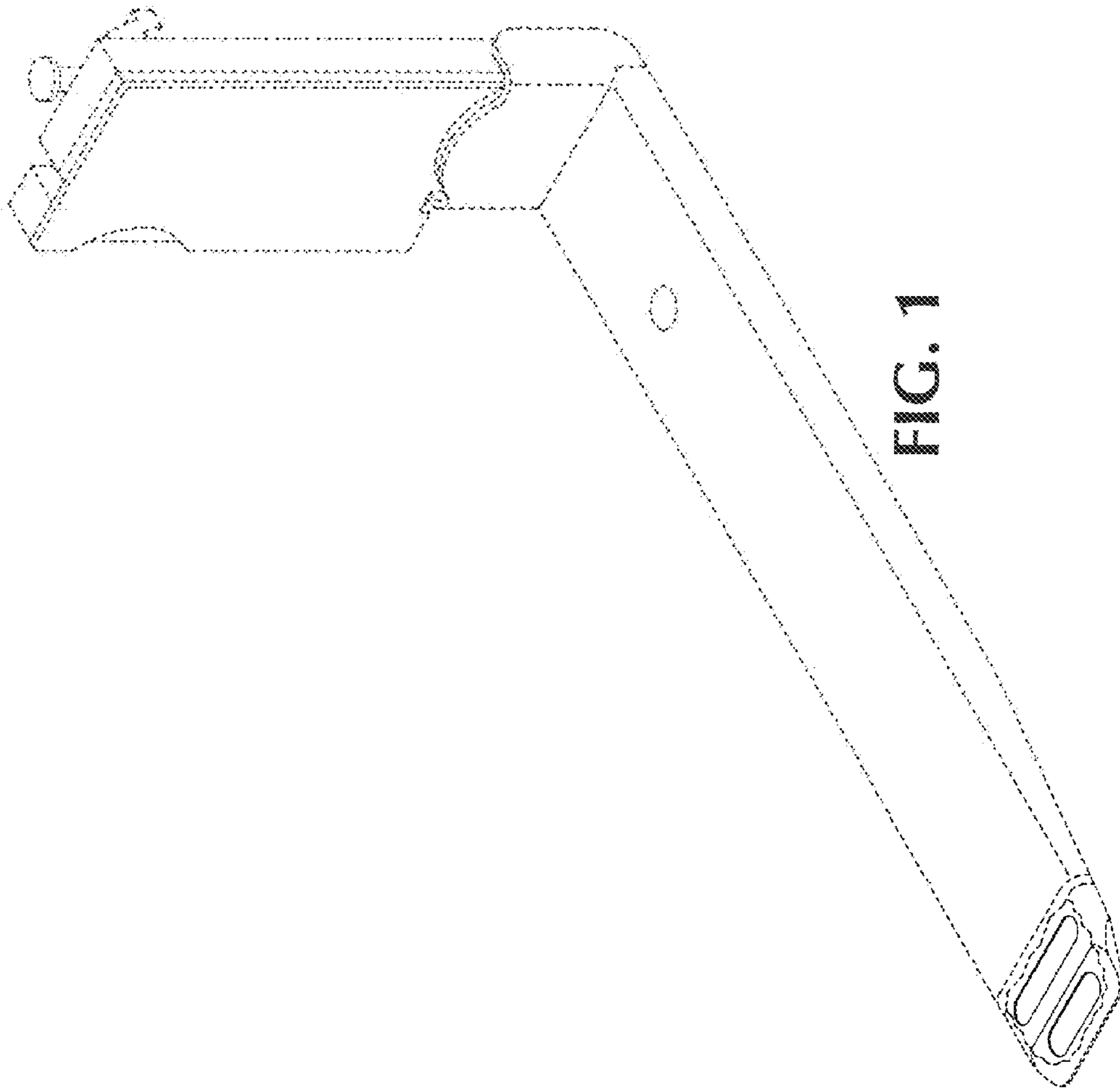


FIG. 1

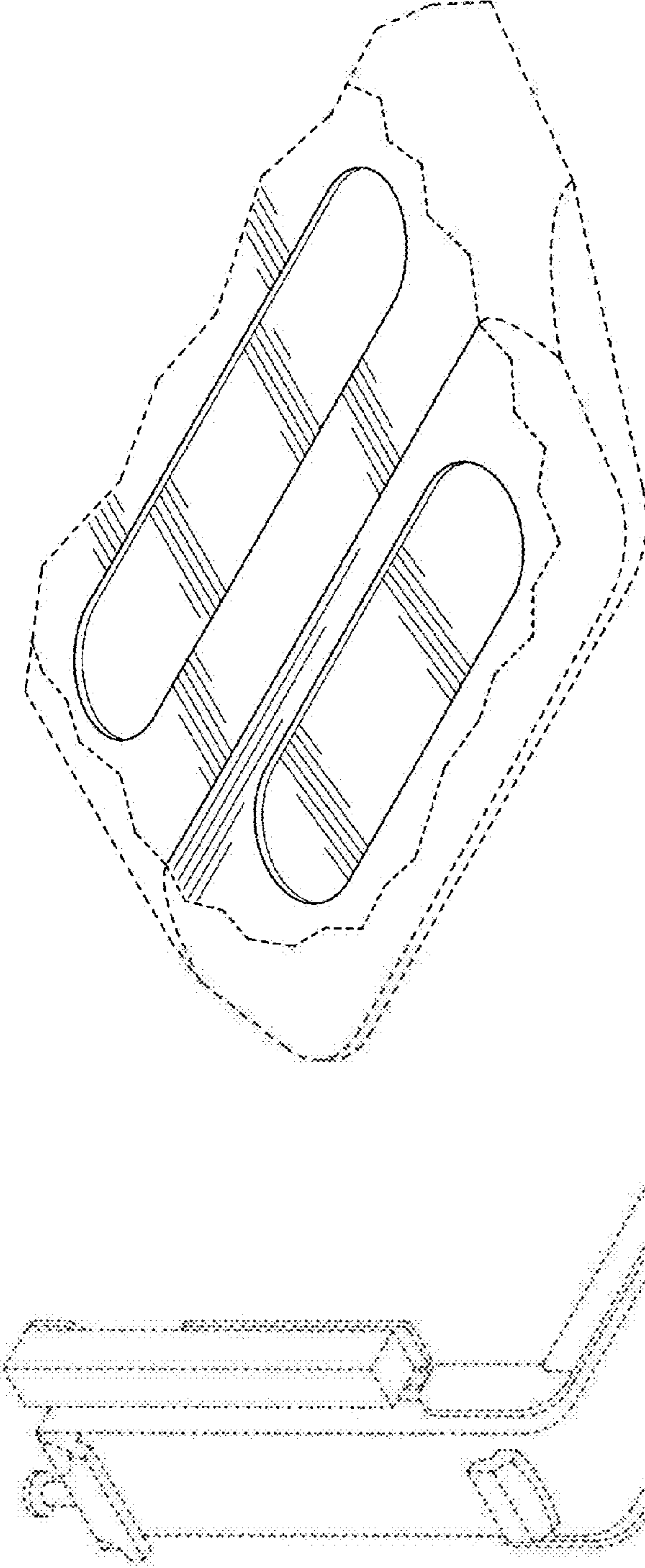


FIG. 3

FIG. 2

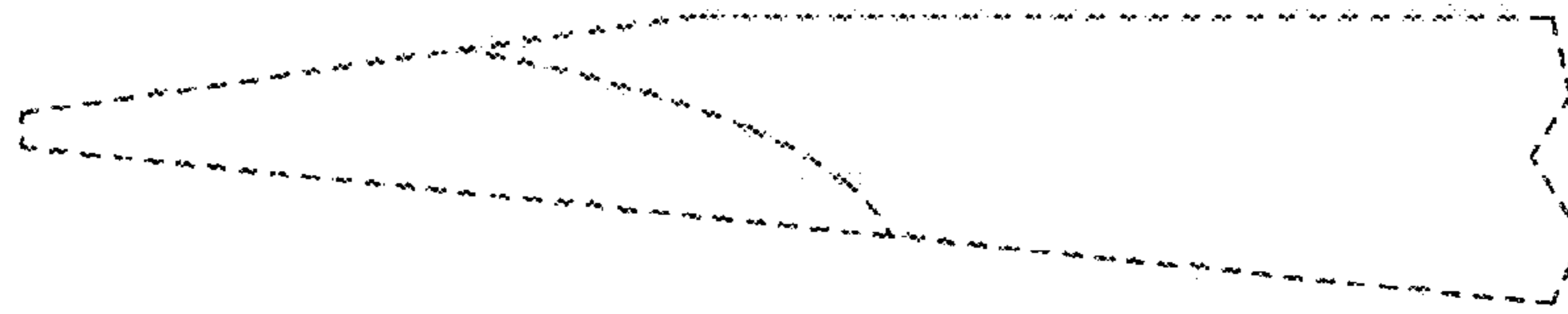


FIG. 4

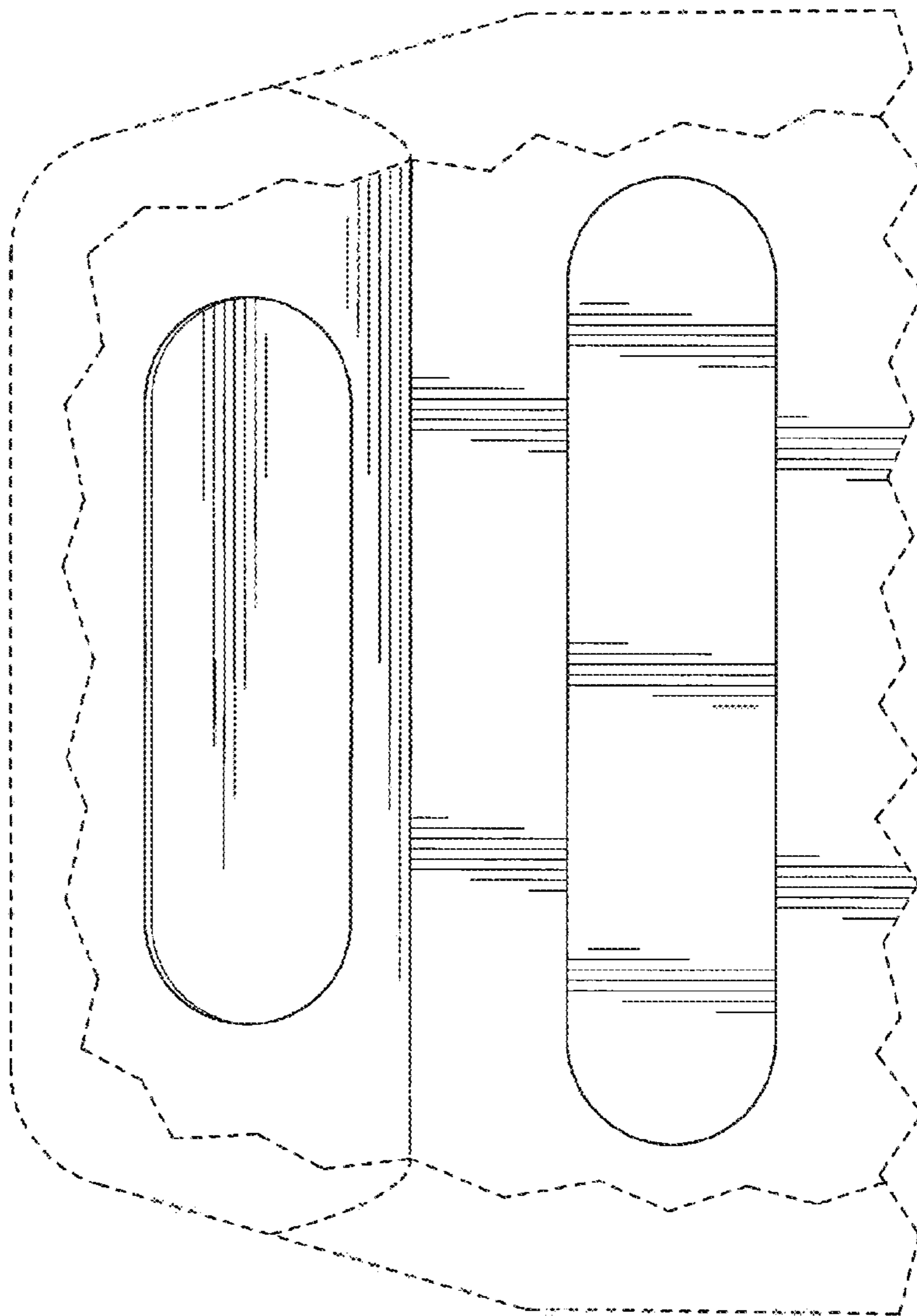


FIG. 5

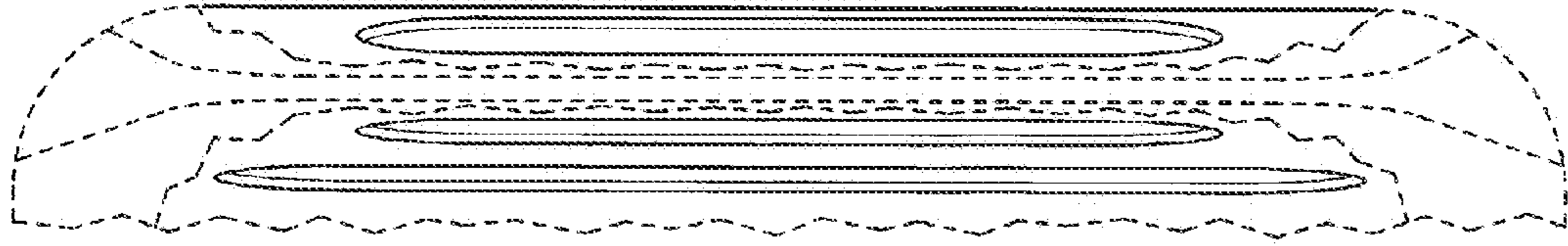


FIG. 6

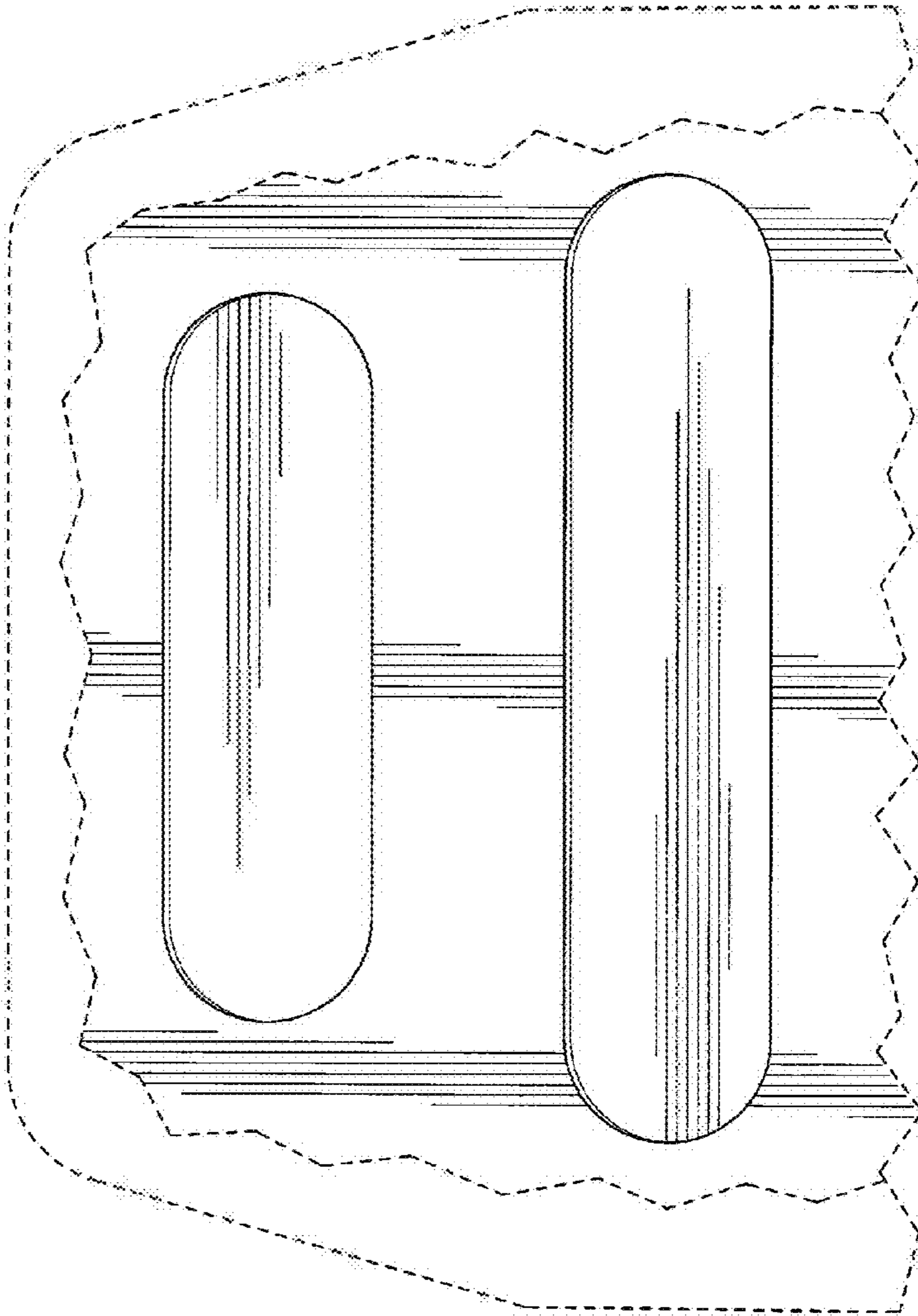


FIG. 7