



US00D749288S

(12) **United States Design Patent**  
**Madison**

(10) **Patent No.:** **US D749,288 S**  
(45) **Date of Patent:** **\*\* Feb. 9, 2016**

(54) **TRAILER JACK HOLDER**  
(71) Applicant: **Kent R. Madison**, Echo, OR (US)  
(72) Inventor: **Kent R. Madison**, Echo, OR (US)  
(\*\*) Term: **14 Years**

5,011,119 A 4/1991 Harrington  
D327,354 S 6/1992 Inman  
5,174,550 A 12/1992 Pittman  
D334,163 S \* 3/1993 McVey ..... D12/162  
5,520,360 A 5/1996 Wensman  
6,116,633 A \* 9/2000 Pride ..... B60D 1/07  
280/416.1  
6,267,357 B1 7/2001 Ebey et al.  
6,302,381 B1 10/2001 Roll

(21) Appl. No.: **29/504,458**

(Continued)

(22) Filed: **Oct. 6, 2014**

**OTHER PUBLICATIONS**

(51) **LOC (10) Cl.** ..... **12-05**

U.S. Appl. No. 29/517,128, filed Feb. 10, 2015.

(52) **U.S. Cl.**

(Continued)

USPC ..... **D34/31**

(58) **Field of Classification Search**

USPC ..... D34/28, 31, 32, 33, 24; 254/93 H,  
254/DIG. 1, 134, 2 R, 30, 93 L, 352, 133 R,  
254/98, 2 B, 45, 420, 424; 248/161, 408,  
248/418, 354.7, 352, 354.5, 157, 351, 357;  
280/477, 491.1, 475, 491.3, 491.4,  
280/763.1, 764.1, 495, 511  
CPC ..... B66F 13/00; B66F 1/06; B66F 3/08;  
B66F 3/42; B66F 17/00; B66F 1/00; B66F  
3/00

*Primary Examiner* — Cynthia Ramirez  
*Assistant Examiner* — Gino Colan  
(74) *Attorney, Agent, or Firm* — Klarquist Sparkman, LLP

See application file for complete search history.

(57) **CLAIM**  
I claim the ornamental design for a trailer jack holder, as shown and described.

(56) **References Cited**

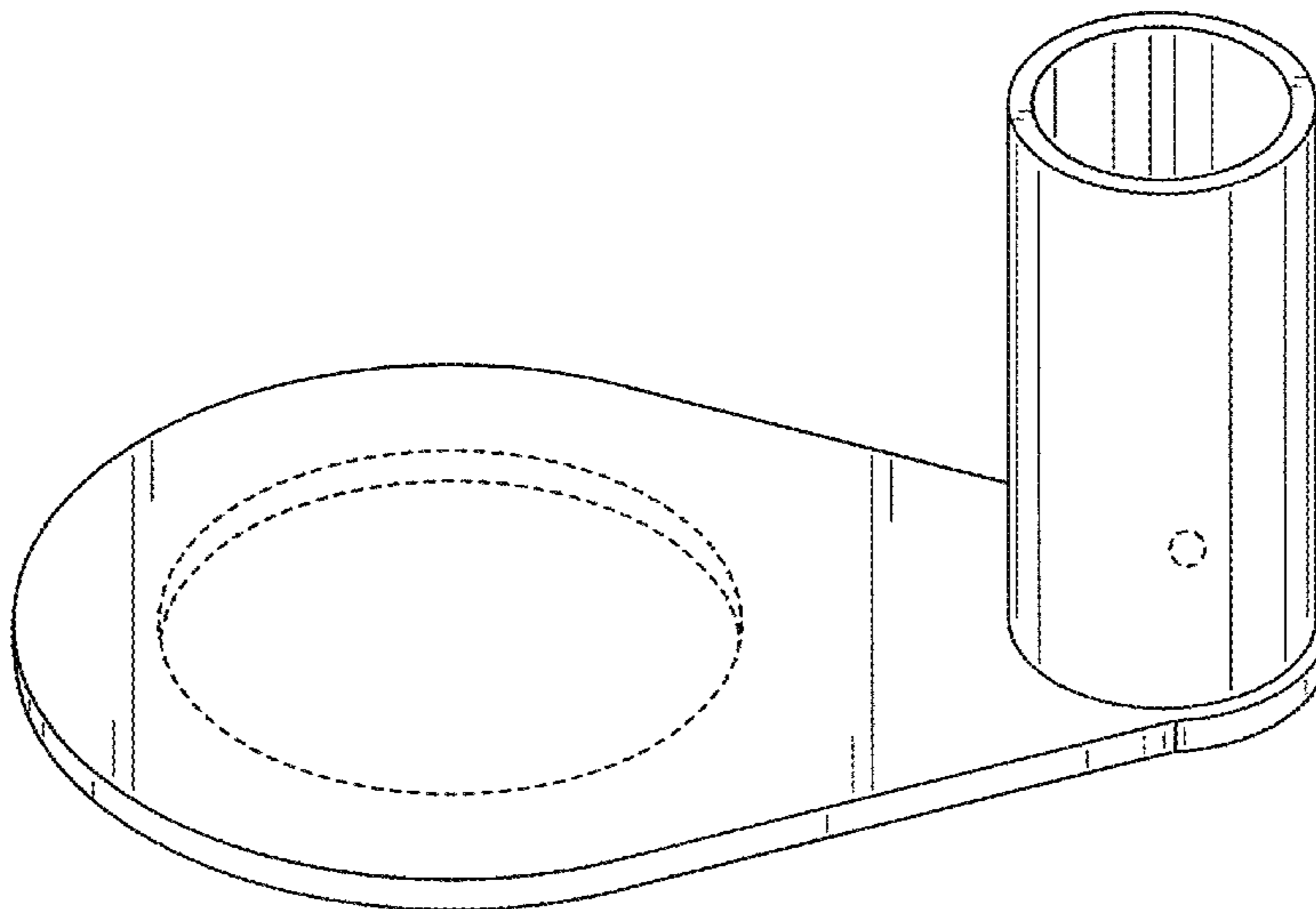
**DESCRIPTION**

**U.S. PATENT DOCUMENTS**

2,219,907 A 4/1938 Ross  
2,153,722 A 4/1939 Loughmiller  
3,345,037 A 10/1967 Sweetland, Jr.  
3,425,714 A 2/1969 Morris  
3,580,543 A 5/1971 Hafeli  
3,841,663 A 10/1974 Proffit  
3,863,894 A 2/1975 Mansi et al.  
4,078,774 A 3/1978 Williams  
4,202,528 A 5/1980 Foster  
4,352,505 A 10/1982 Chambers  
4,441,693 A 4/1984 Silver  
4,623,125 A 11/1986 Ebey  
D296,886 S \* 7/1988 Young, Jr. .... D12/162  
4,871,183 A 10/1989 Moss

FIG. 1 is a front perspective view of a trailer jack holder showing my new design;  
FIG. 2 is a top plan view of the trailer jack holder of FIG. 1;  
FIG. 3 is a bottom plan view of the trailer jack holder of FIG. 1;  
FIG. 4 is a front elevational view of the trailer jack holder of FIG. 1;  
FIG. 5 is a rear elevational view of the trailer jack holder of FIG. 1;  
FIG. 6 is a left elevational view of the trailer jack holder of FIG. 1; and,  
FIG. 7 is a right elevational view of the trailer jack holder of FIG. 1.  
The dashed lines in the drawings represent portions of the trailer jack holder that do not form part of the claimed design.

**1 Claim, 7 Drawing Sheets**



(56)

**References Cited**

U.S. PATENT DOCUMENTS

D512,349 S \* 12/2005 Stubblefield ..... D12/162  
7,216,851 B1 \* 5/2007 Green ..... B60S 9/22  
254/420  
D568,216 S \* 5/2008 Weymouth ..... D12/162  
7,648,154 B2 1/2010 Green  
8,167,330 B2 5/2012 MacDougall  
D687,353 S \* 8/2013 Dunn ..... D12/162  
D695,652 S \* 12/2013 In ..... D12/162  
D698,287 S \* 1/2014 Terpsma ..... D12/162  
D706,688 S \* 6/2014 Baldwin ..... D12/162  
D710,263 S \* 8/2014 Rabska ..... D12/162  
D714,194 S \* 9/2014 DePietro ..... D12/162  
9,004,520 B2 4/2015 Madison

D738,796 S \* 9/2015 DePietro ..... D12/162  
2010/0213427 A1 8/2010 Trowbridge et al.  
2011/0215286 A1 9/2011 Harper  
2015/0115128 A1 4/2015 Madison

OTHER PUBLICATIONS

Seven pictures of a product called Jack Saver downloaded from the internet which indicates they were published on Jan. 14, 2013.  
Office action dated Oct. 7, 2013, issued by the United States Patent and Trademark Office in related U.S. Appl. No. 13/791,831, filed Mar. 8, 2013.  
Office action dated Apr. 21, 2014, issued by the United States Patent and Trademark Office in related U.S. Appl. No. 13/791,831, filed Mar. 8, 2013.

\* cited by examiner

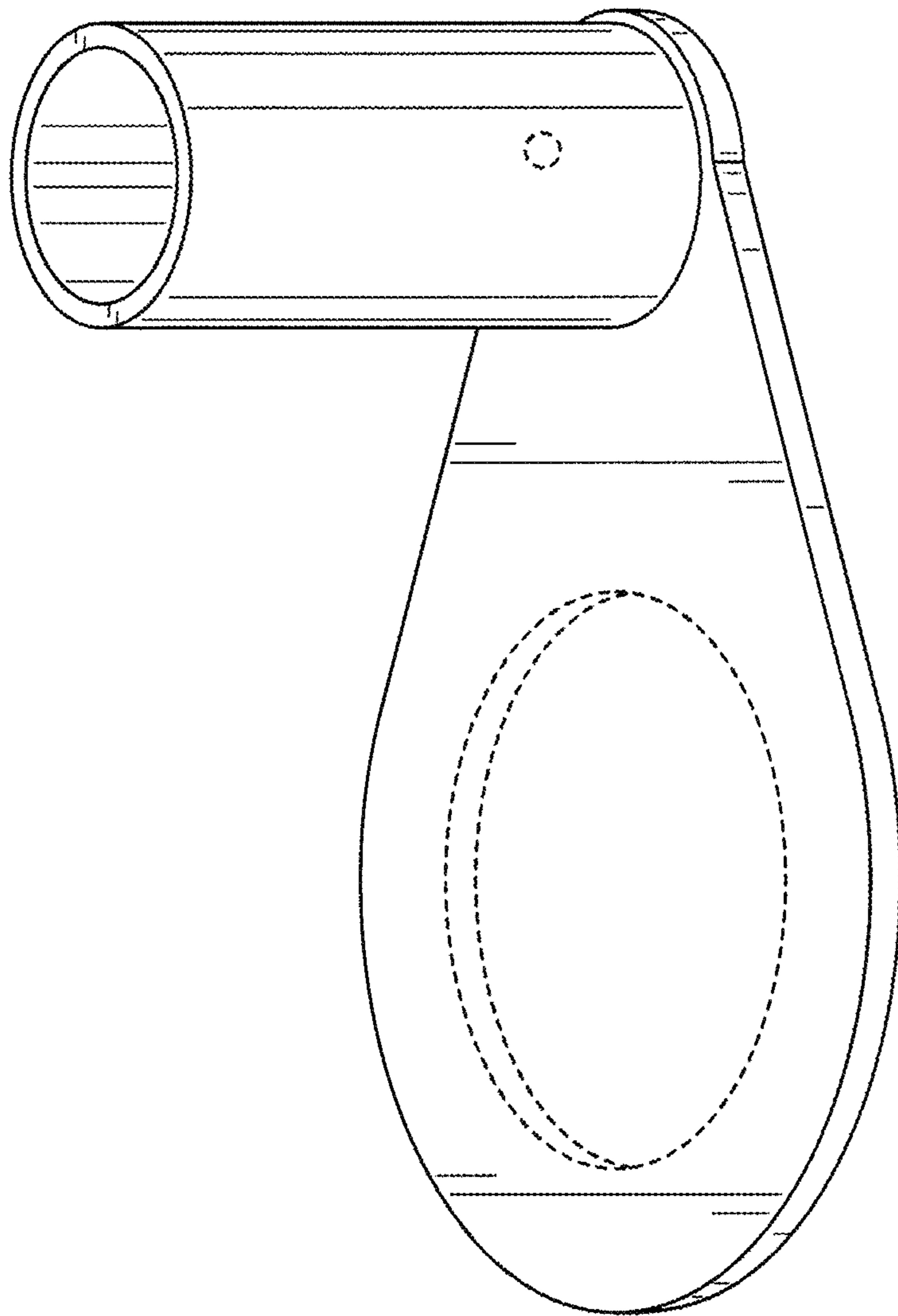


FIG. 1

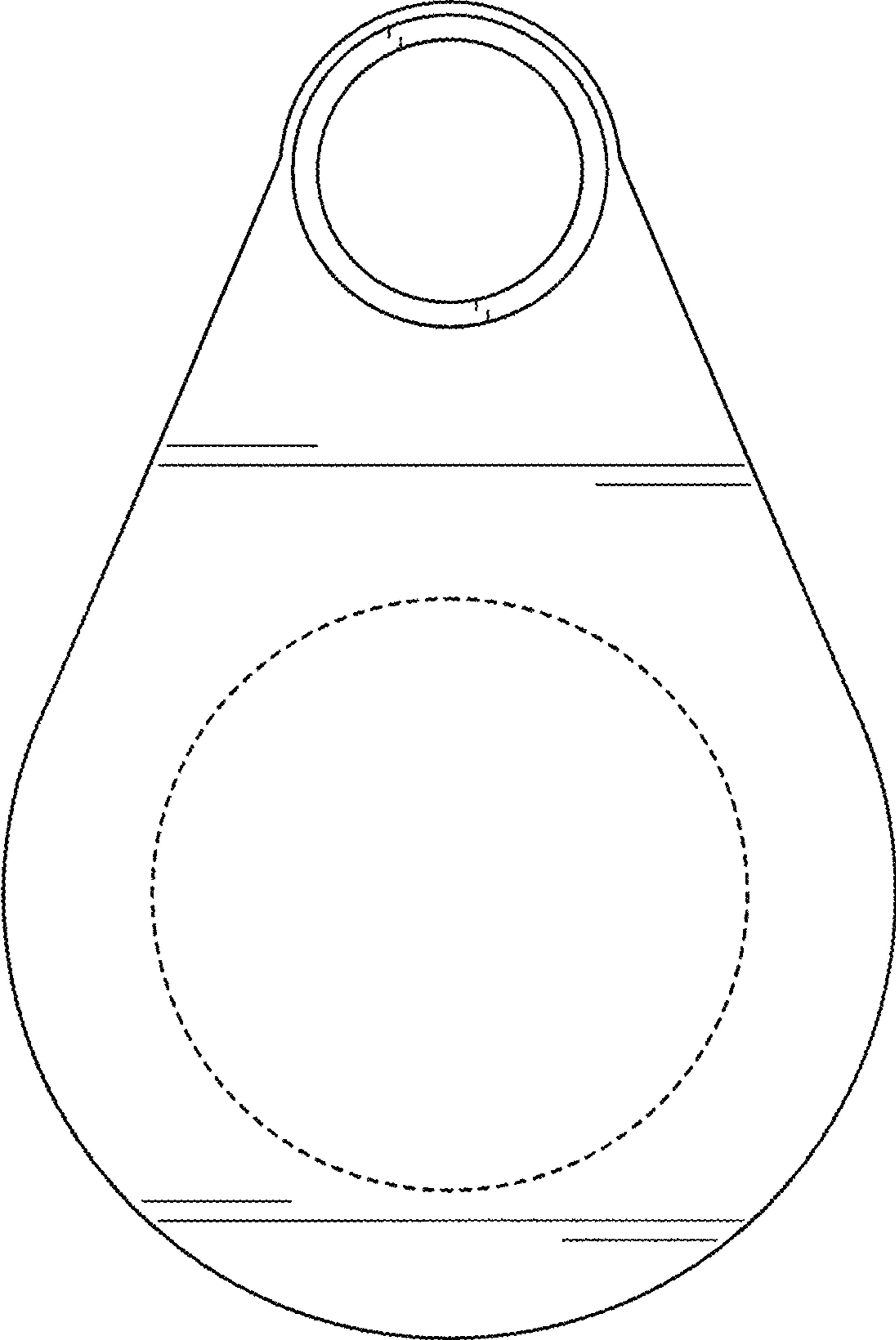


FIG. 2

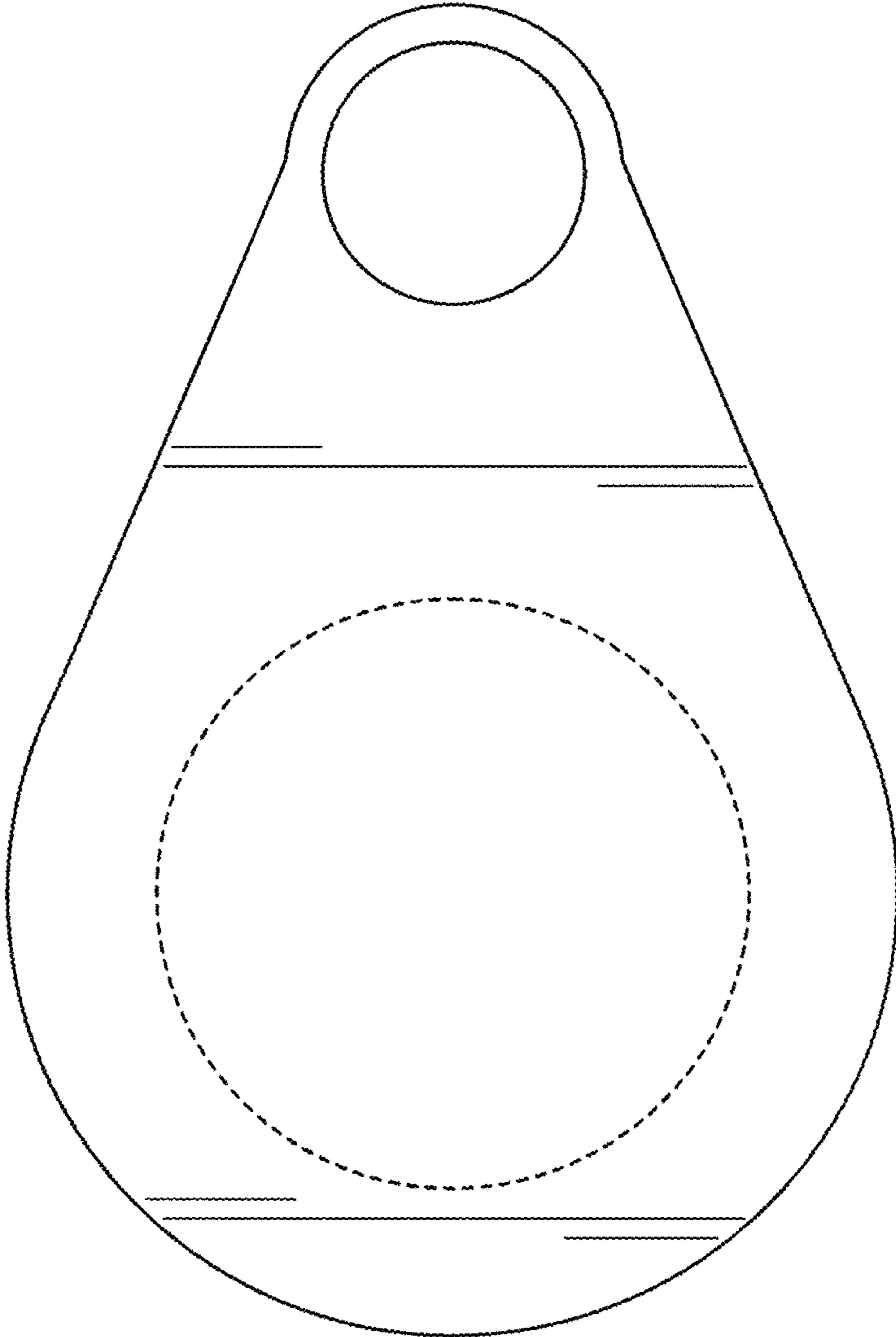


FIG. 3

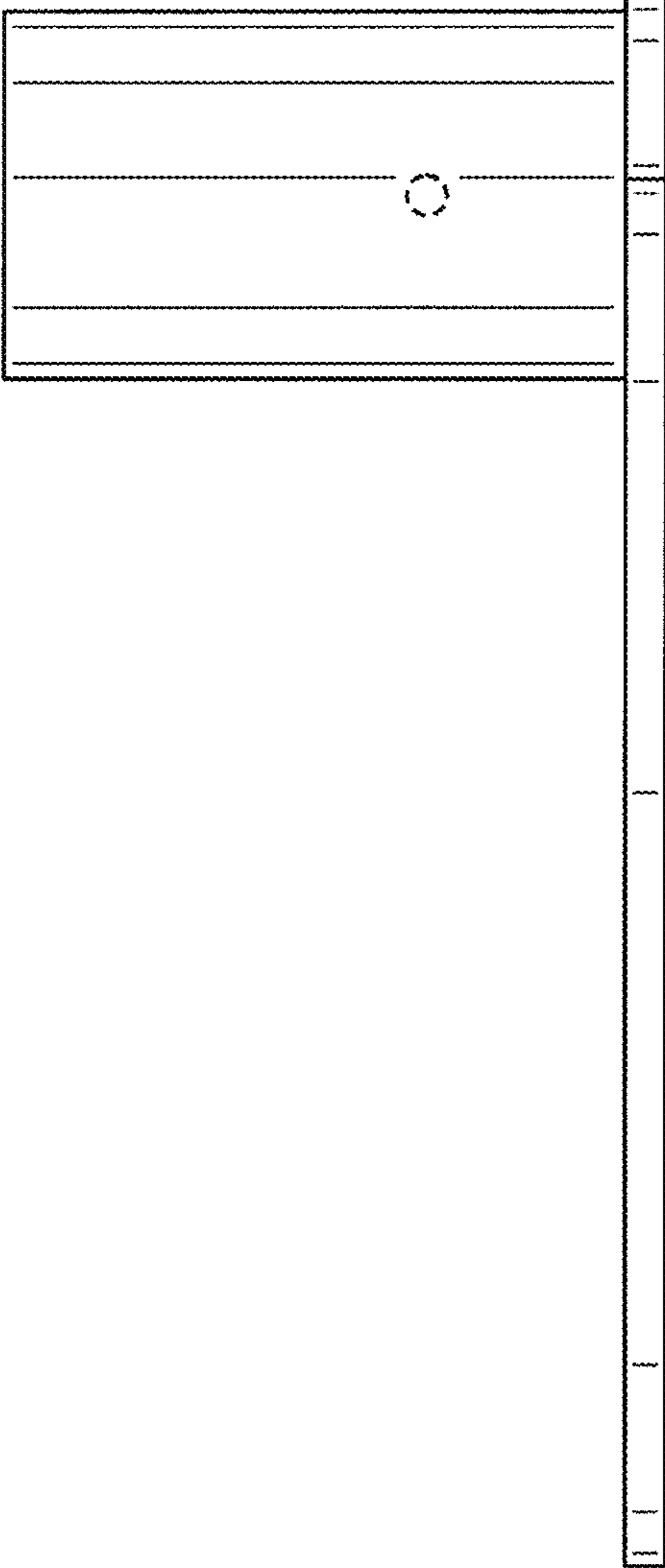


FIG. 4

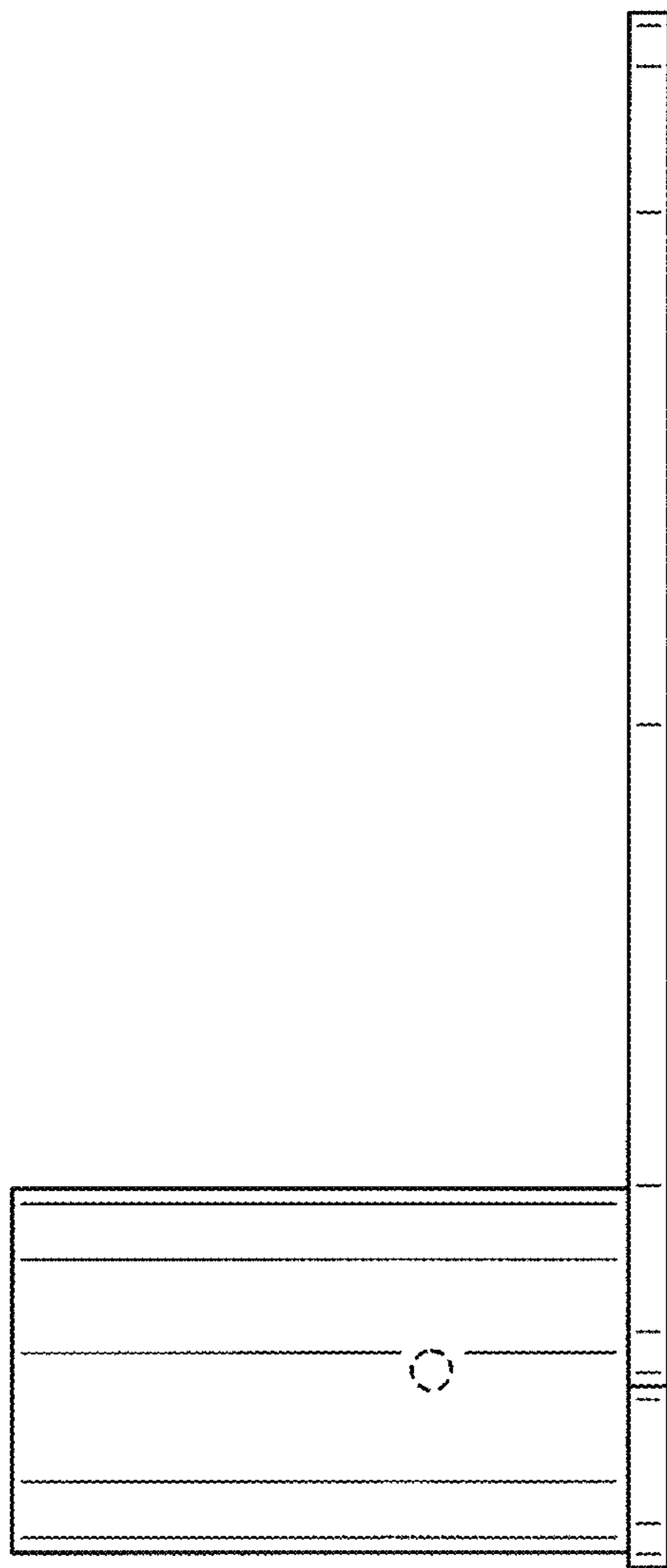


FIG. 5

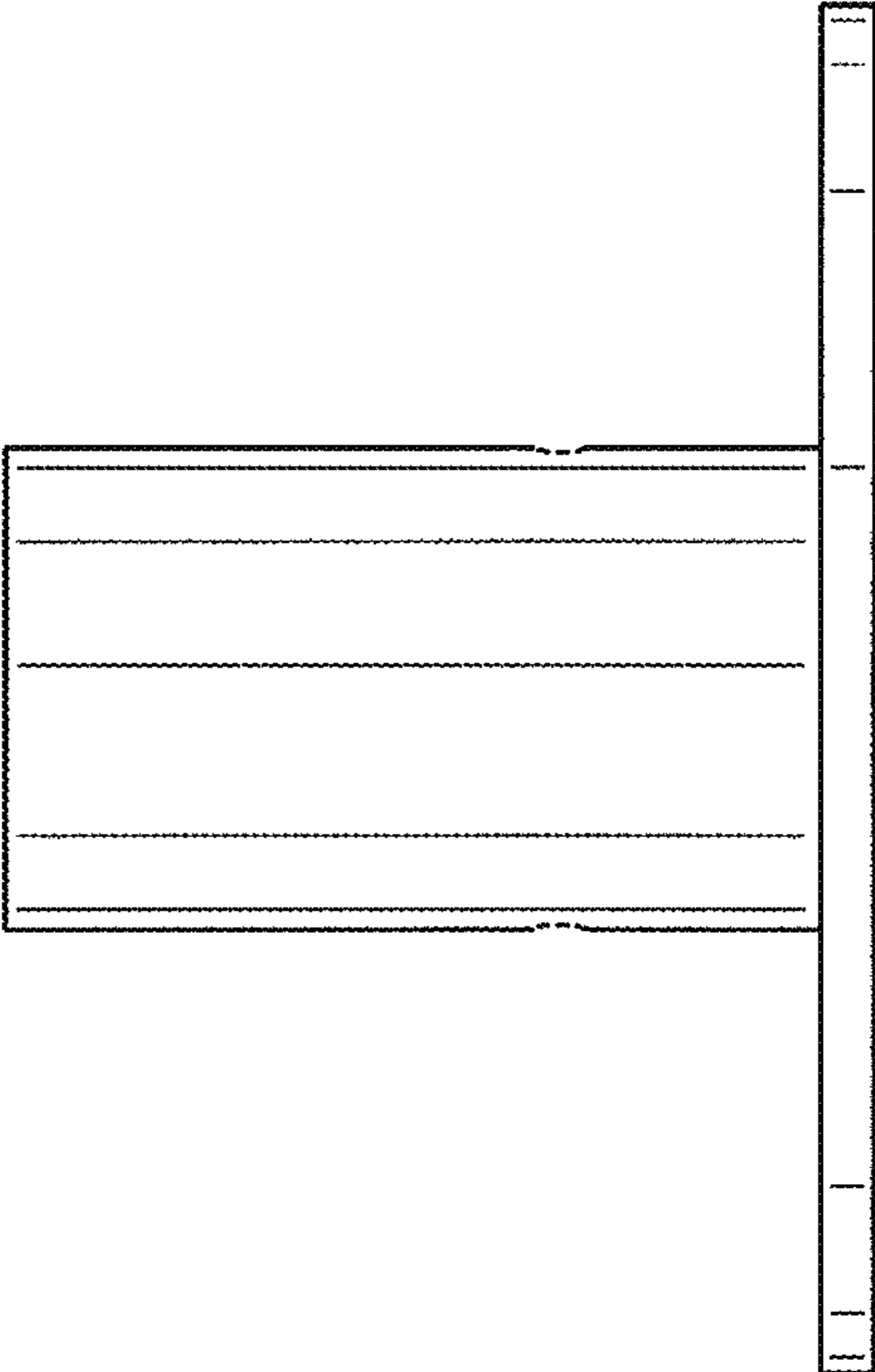


FIG. 6



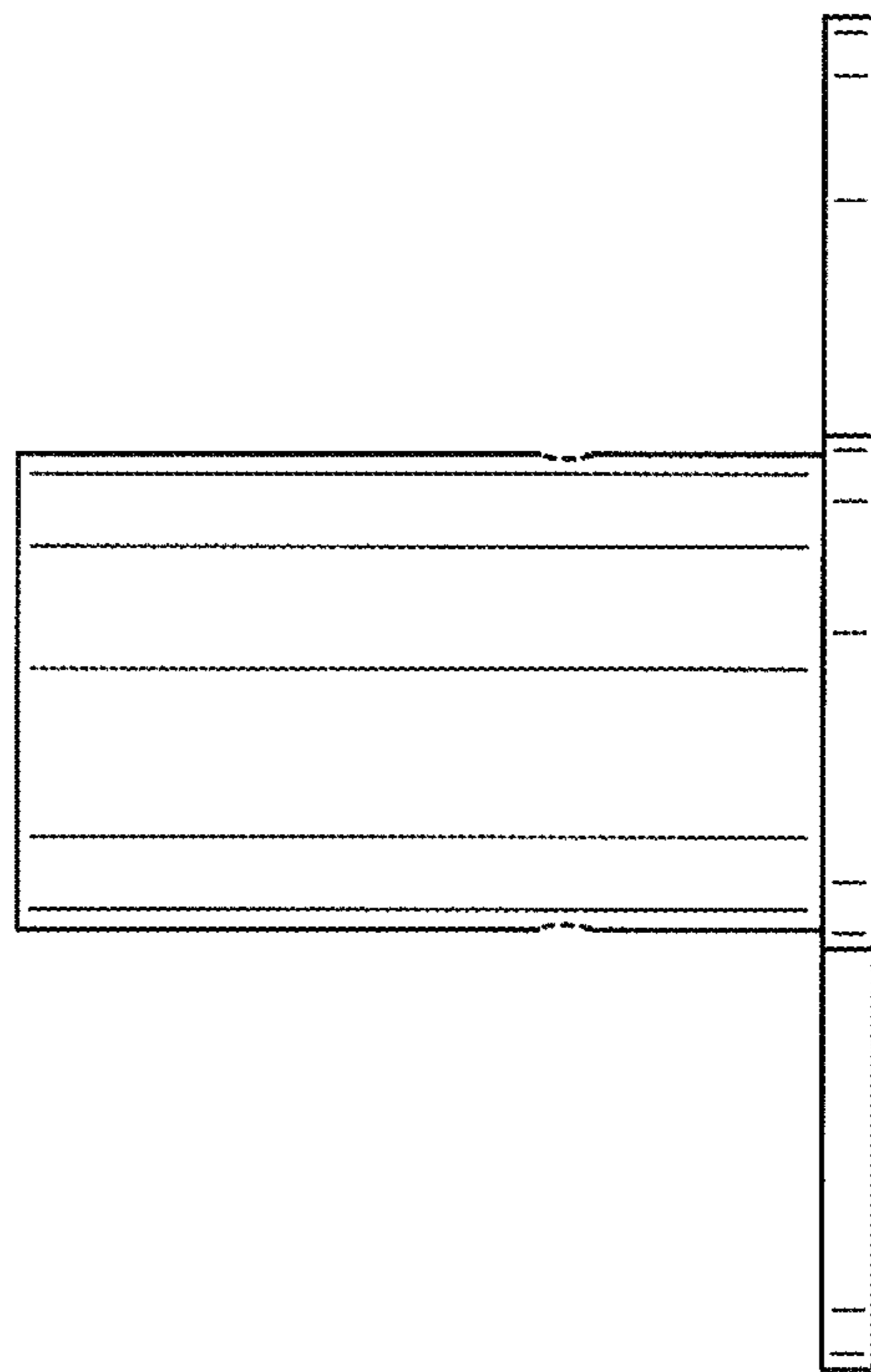


FIG. 7