



US00D749286S

(12) **United States Design Patent**
Sherman et al.

(10) **Patent No.:** **US D749,286 S**
(45) **Date of Patent:** **** Feb. 9, 2016**

(54) **CART**

(71) Applicant: **ZIBRA, LLC**, Mooresville, NC (US)

(72) Inventors: **Michael Milton Sherman**, Mooresville, NC (US); **William Lane Ball**, Statesville, NC (US)

(73) Assignee: **ZIBRA, LLC**, Mooresville, NC (US)

(**) Term: **14 Years**

(21) Appl. No.: **29/518,322**

(22) Filed: **Feb. 23, 2015**

(51) **LOC (10) Cl.** **12-02**

(52) **U.S. Cl.**
USPC **D34/27**

(58) **Field of Classification Search**
USPC D34/12-27; 280/33.991-997, 47.17, 280/47.19, 47.24, 47.26, 47.29, 47.35, 280/47.38, 79.11, 79.2, 79.3; D6/675.2, D6/675.5, 676.2, 677.2, 677.5, 678.4, D6/680.3, 681
CPC B62B 3/14; B62B 3/144; B62B 3/1496; B62B 3/1404; B62B 2501/065; B62B 5/06; B62B 5/069; B62B 5/0423

See application file for complete search history.

(56) **References Cited**

U.S. PATENT DOCUMENTS

D177,906 S	*	6/1956	Duchin	D6/675.2
D199,448 S	*	10/1964	Corbett	D34/13
D303,308 S	*	9/1989	Meitl	D34/17
D308,776 S	*	6/1990	Yau Kee	D6/675.2
D331,135 S	*	11/1992	Lewandowski	D34/18
D472,026 S	*	3/2003	Walter	D34/20
D526,107 S	*	8/2006	Duchene	D34/27

* cited by examiner

Primary Examiner — Cynthia Ramirez

(74) *Attorney, Agent, or Firm* — Tillman Wright, PLLC; Chad D. Tillman; James D. Wright

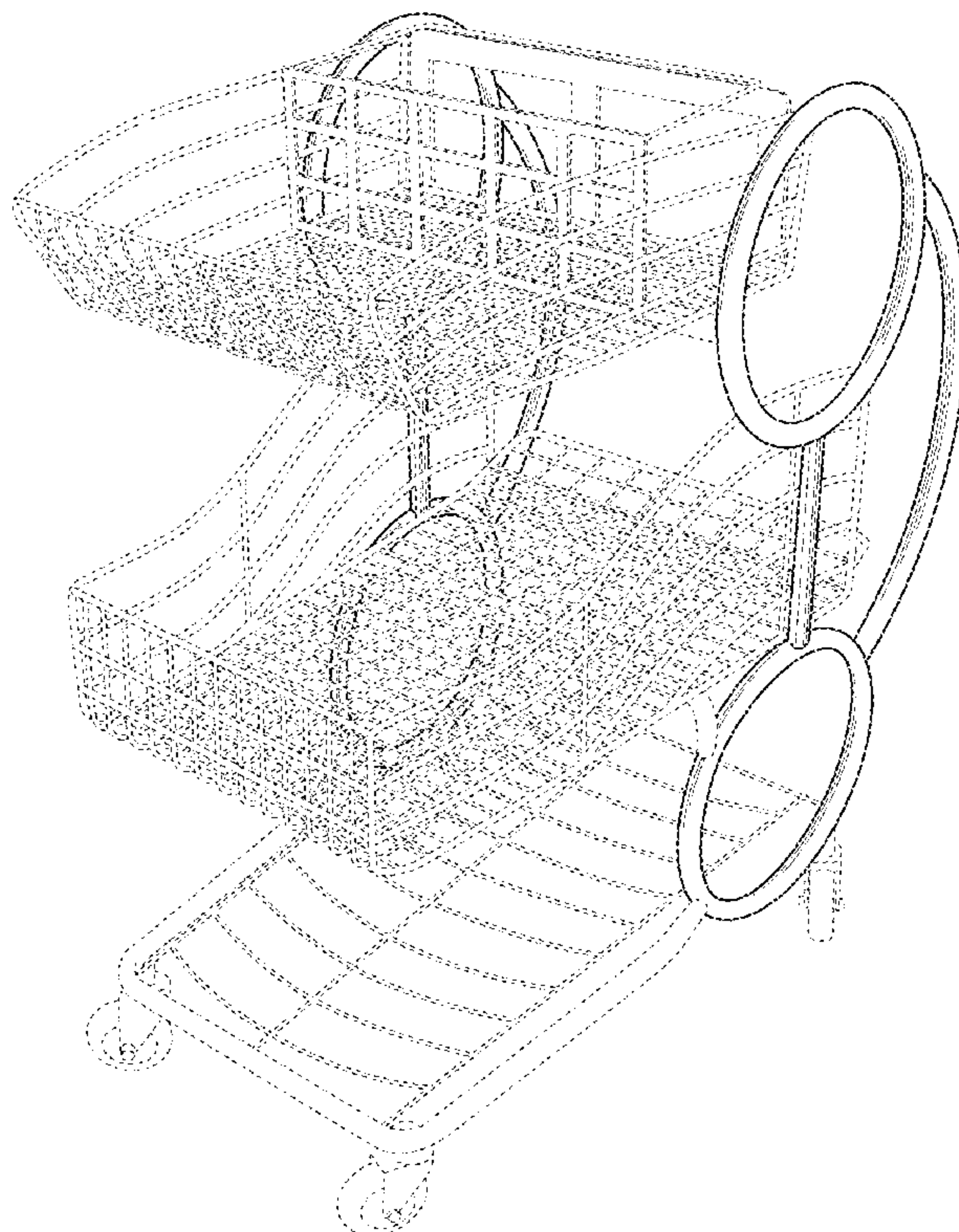
(57) **CLAIM**

The ornamental design for a cart, as shown and described.

DESCRIPTION

FIG. 1 is a perspective front left view of a cart in accordance with an embodiment of the present invention. FIG. 2 is a perspective view of the front of the cart of FIG. 1. FIG. 3 is a perspective front right view of the cart of FIG. 1. FIG. 4 is a perspective right side view of the cart of FIG. 1. FIG. 5 is a perspective back right view of the cart of FIG. 1. FIG. 6 is a perspective view of the back of the cart of FIG. 1. FIG. 7 is a perspective back left view of the cart of FIG. 1. FIG. 8 is a perspective left side view of the cart of FIG. 1; and, FIG. 9 is a perspective view of the top of the cart of FIG. 1. The broken lines shown in the figures are included for the purpose of illustrating environment and form no part of the claimed design.

1 Claim, 9 Drawing Sheets



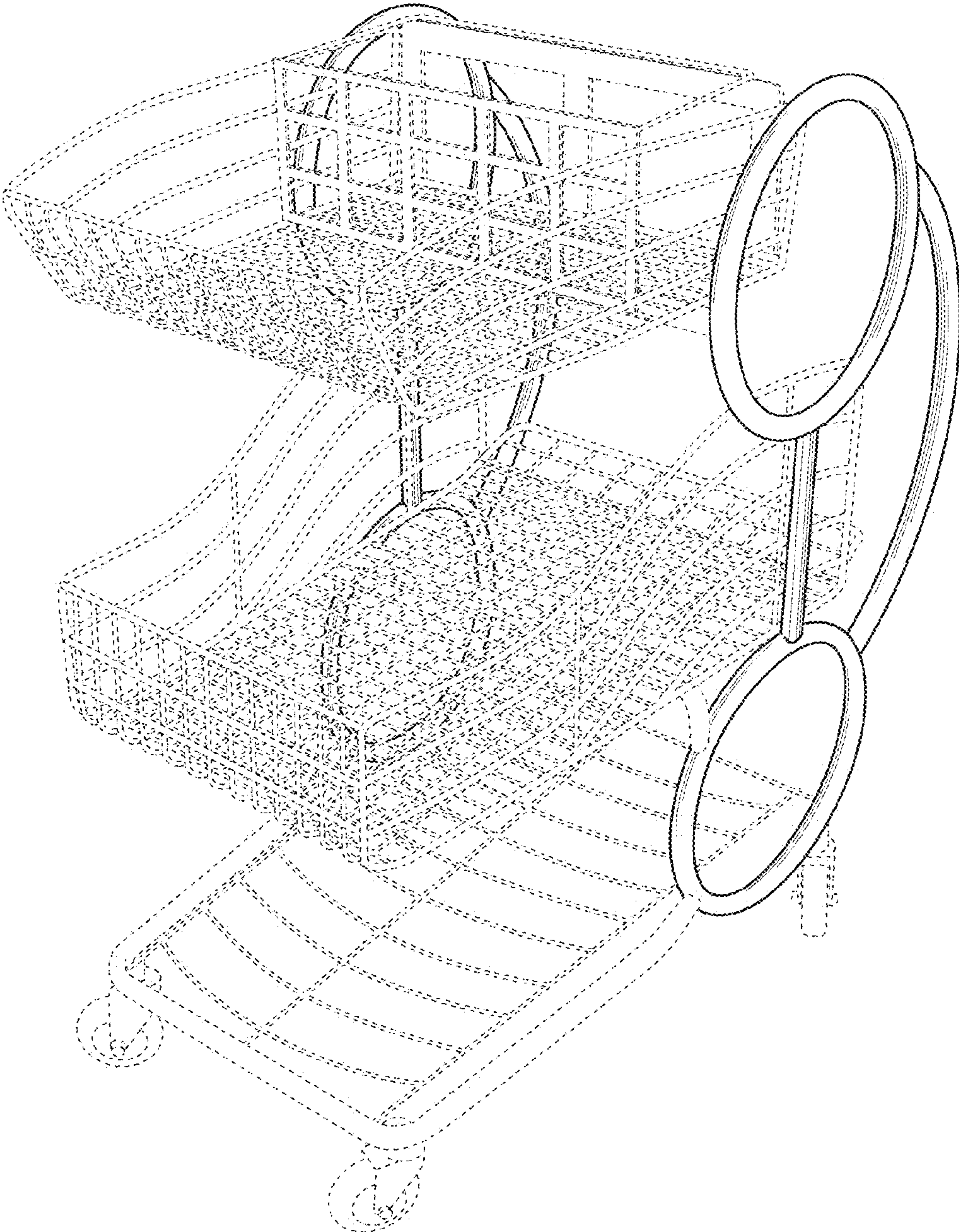


FIG. 1

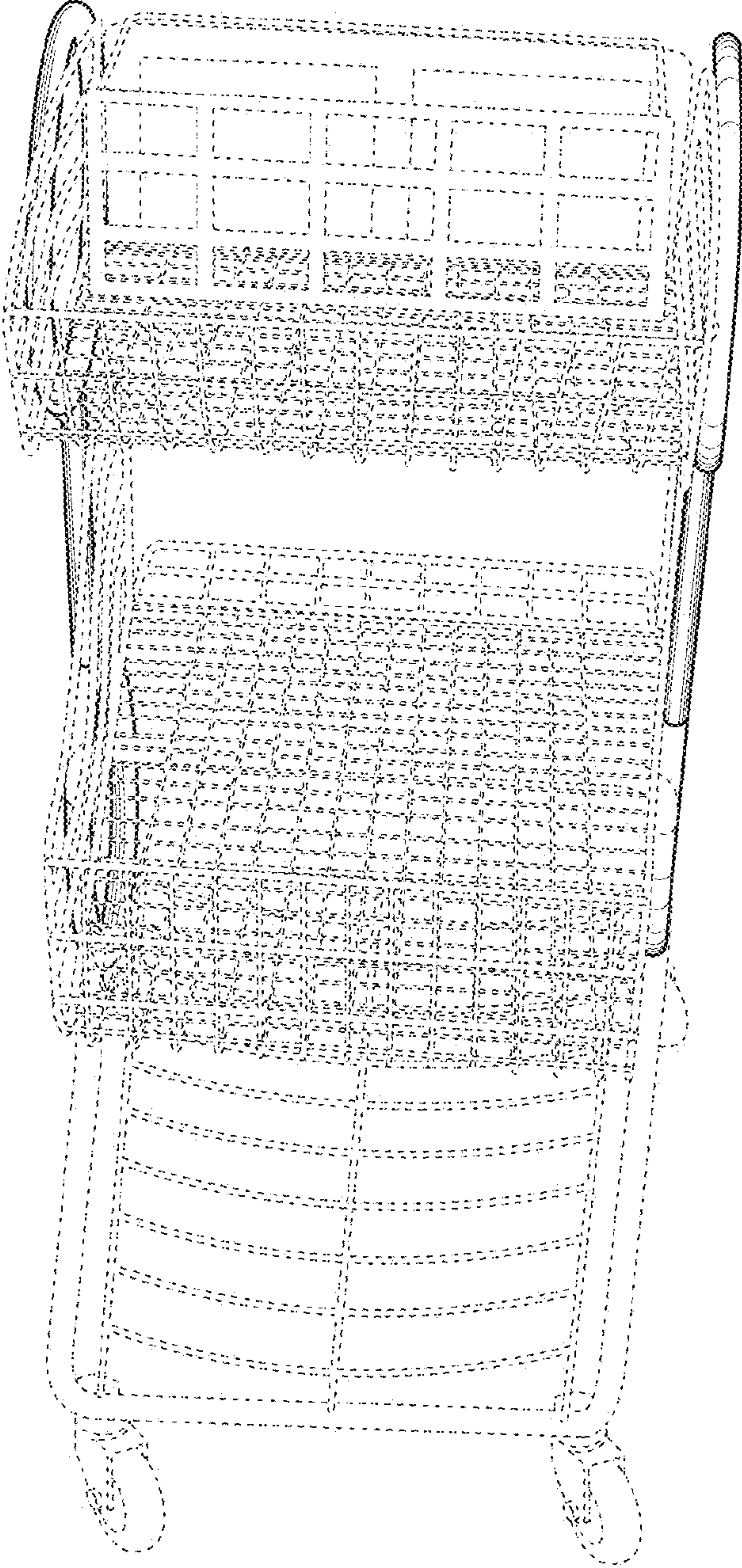


FIG. 2

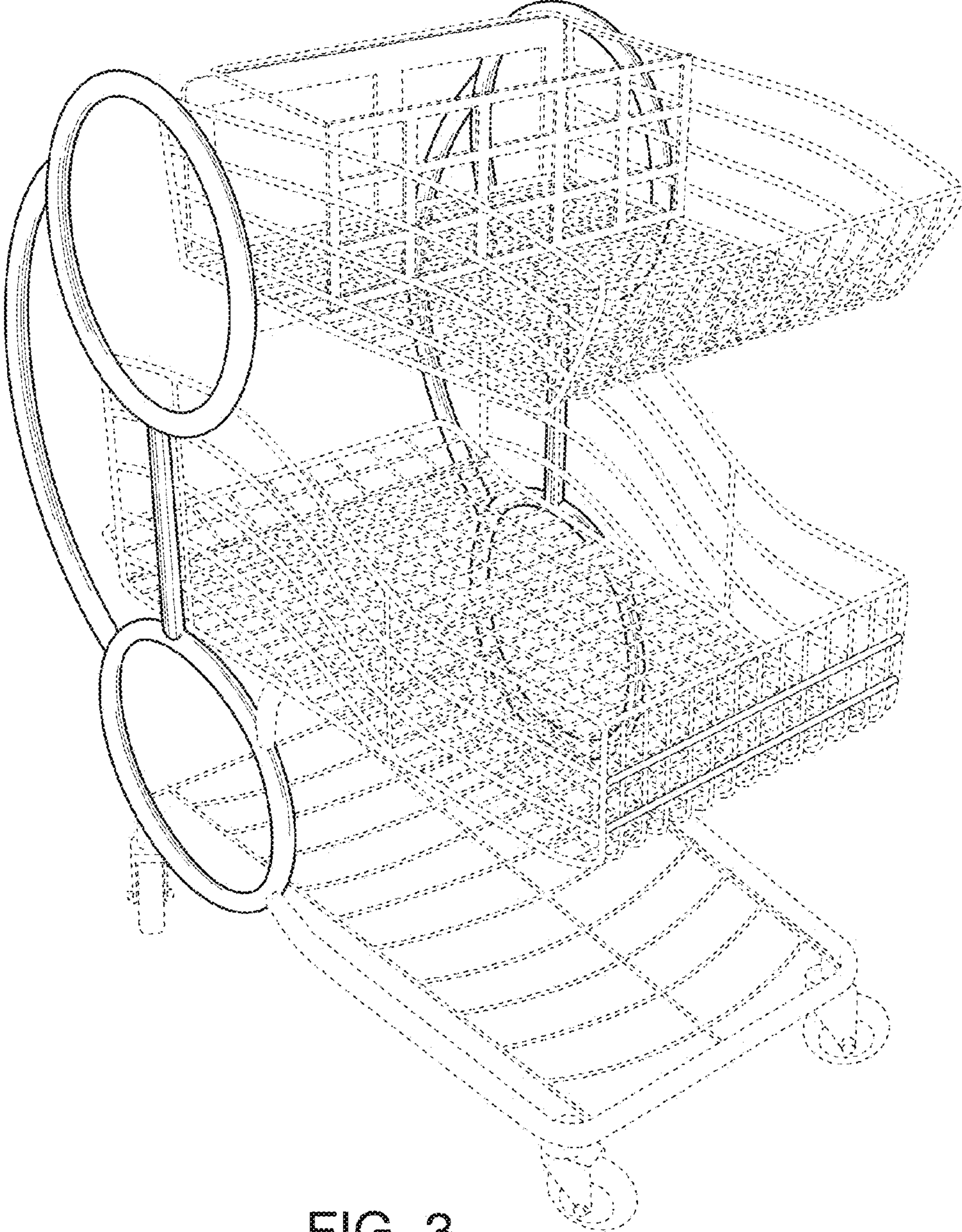


FIG. 3

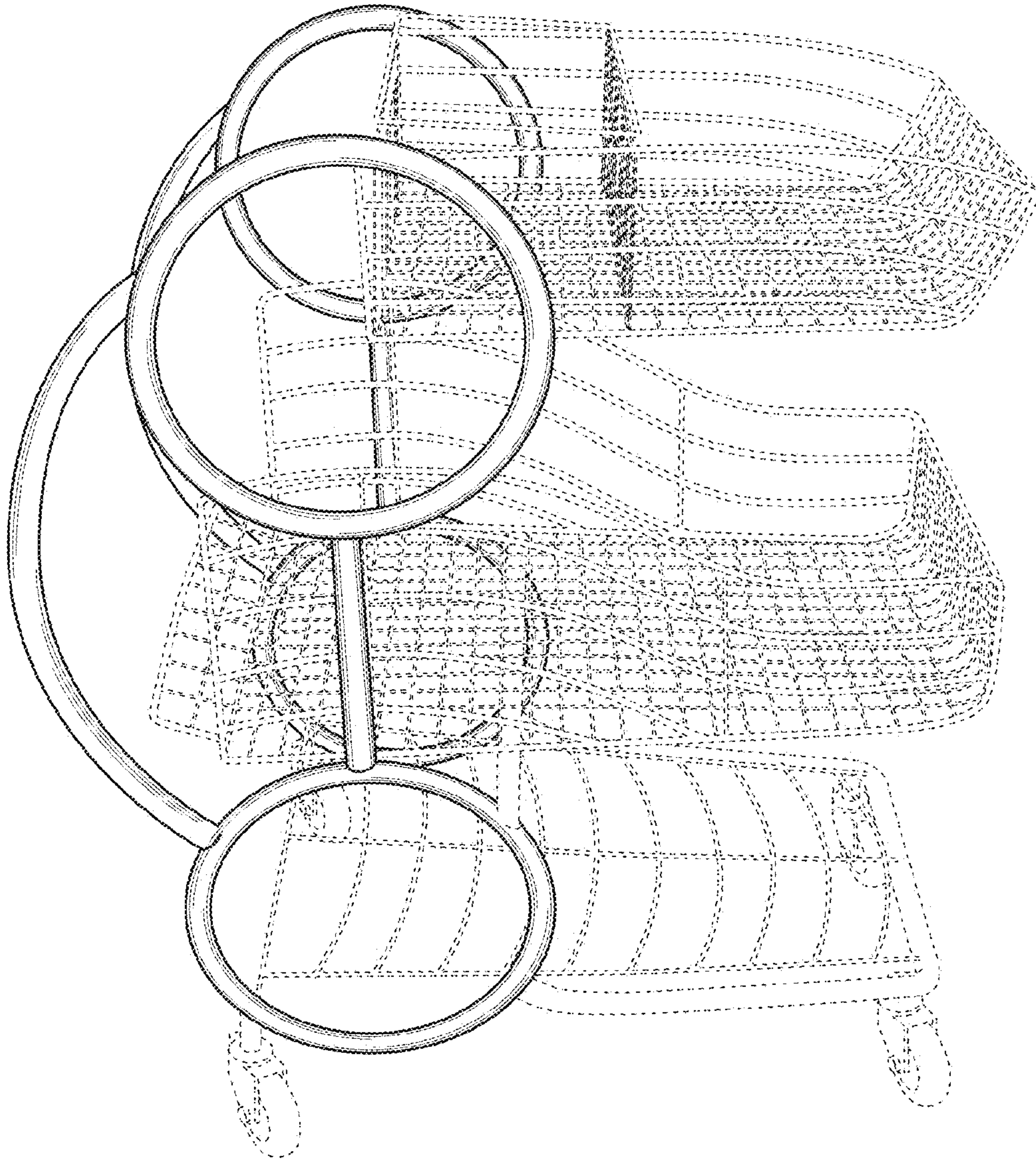


FIG. 4

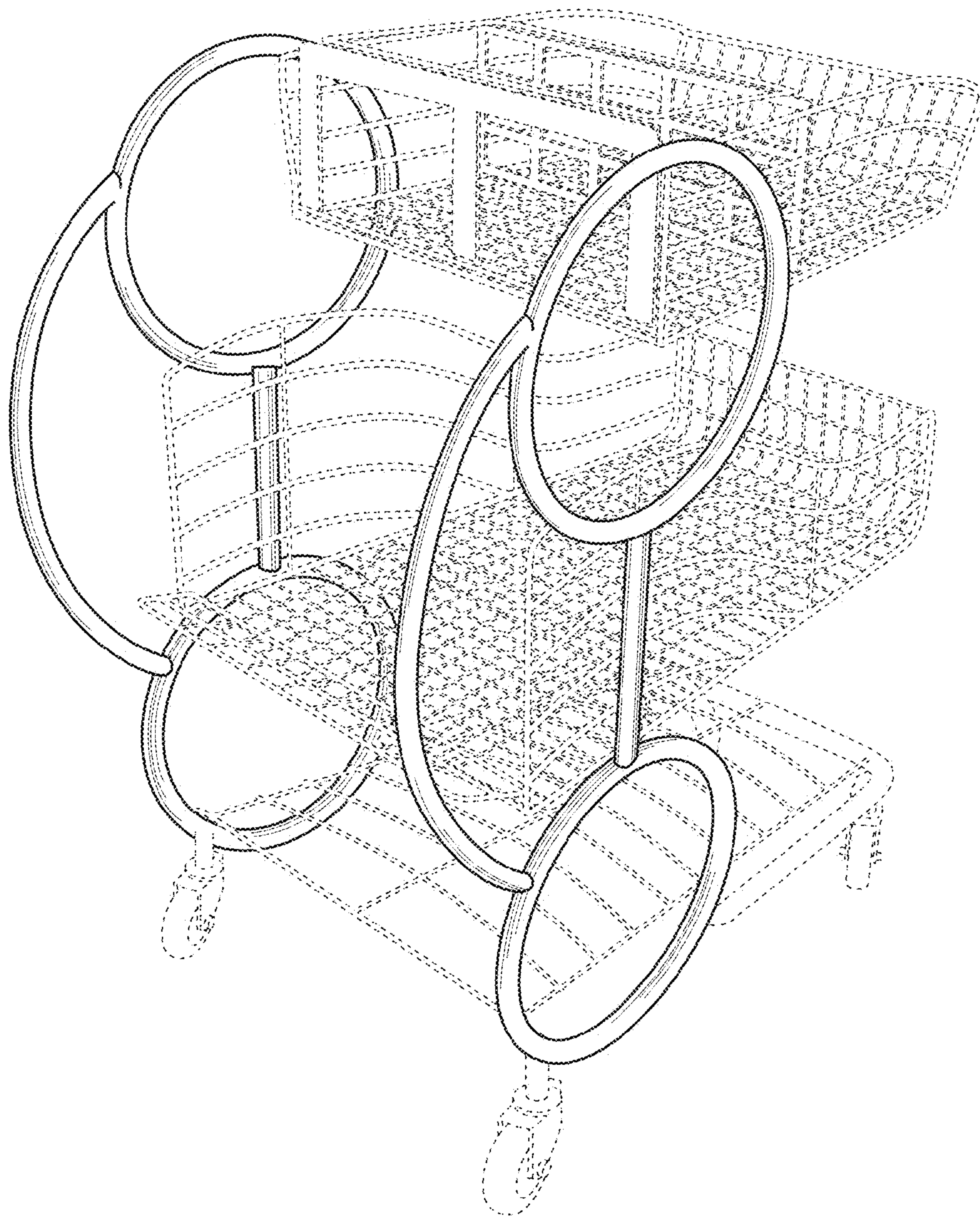


FIG. 5

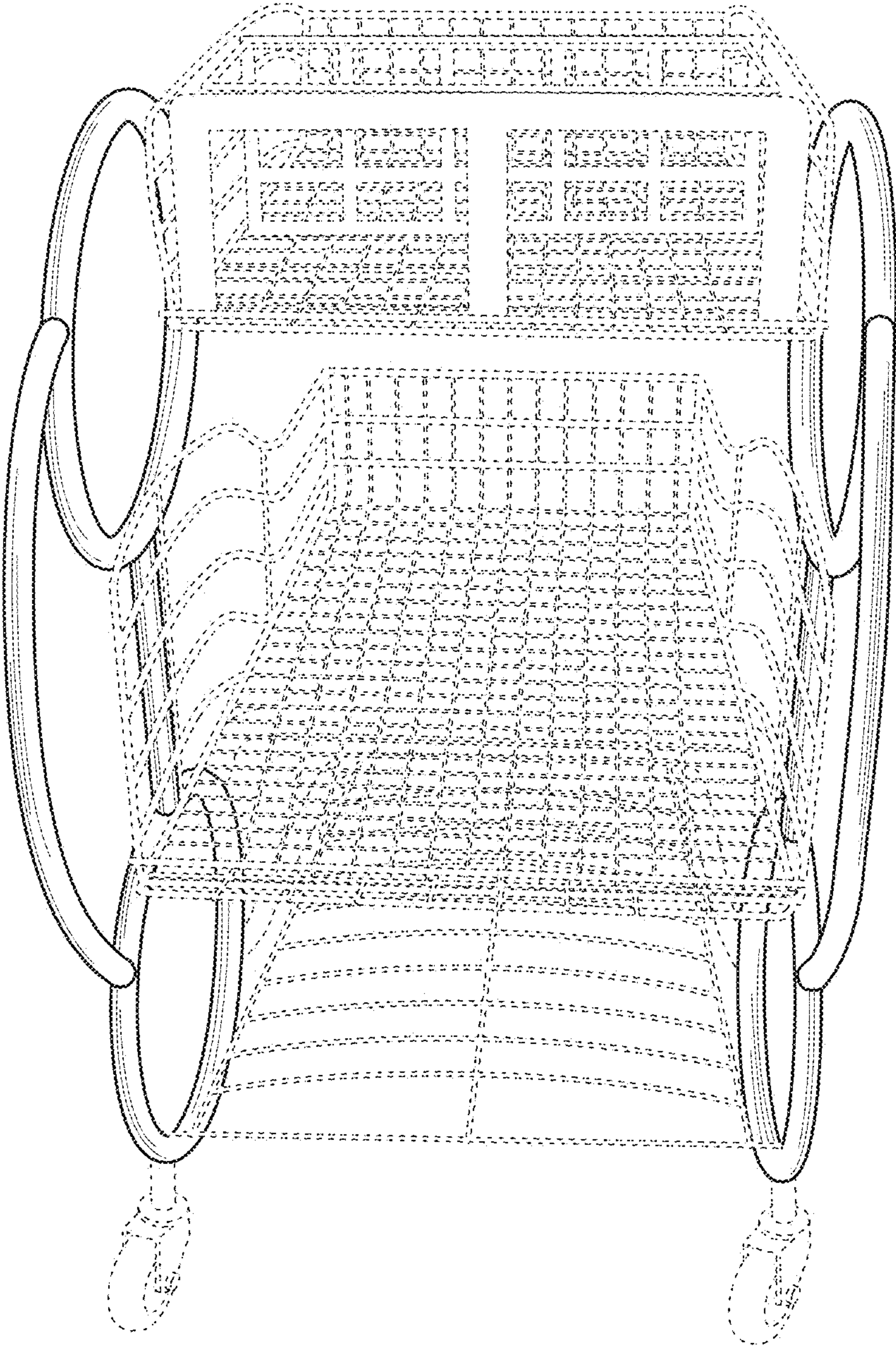


FIG. 6

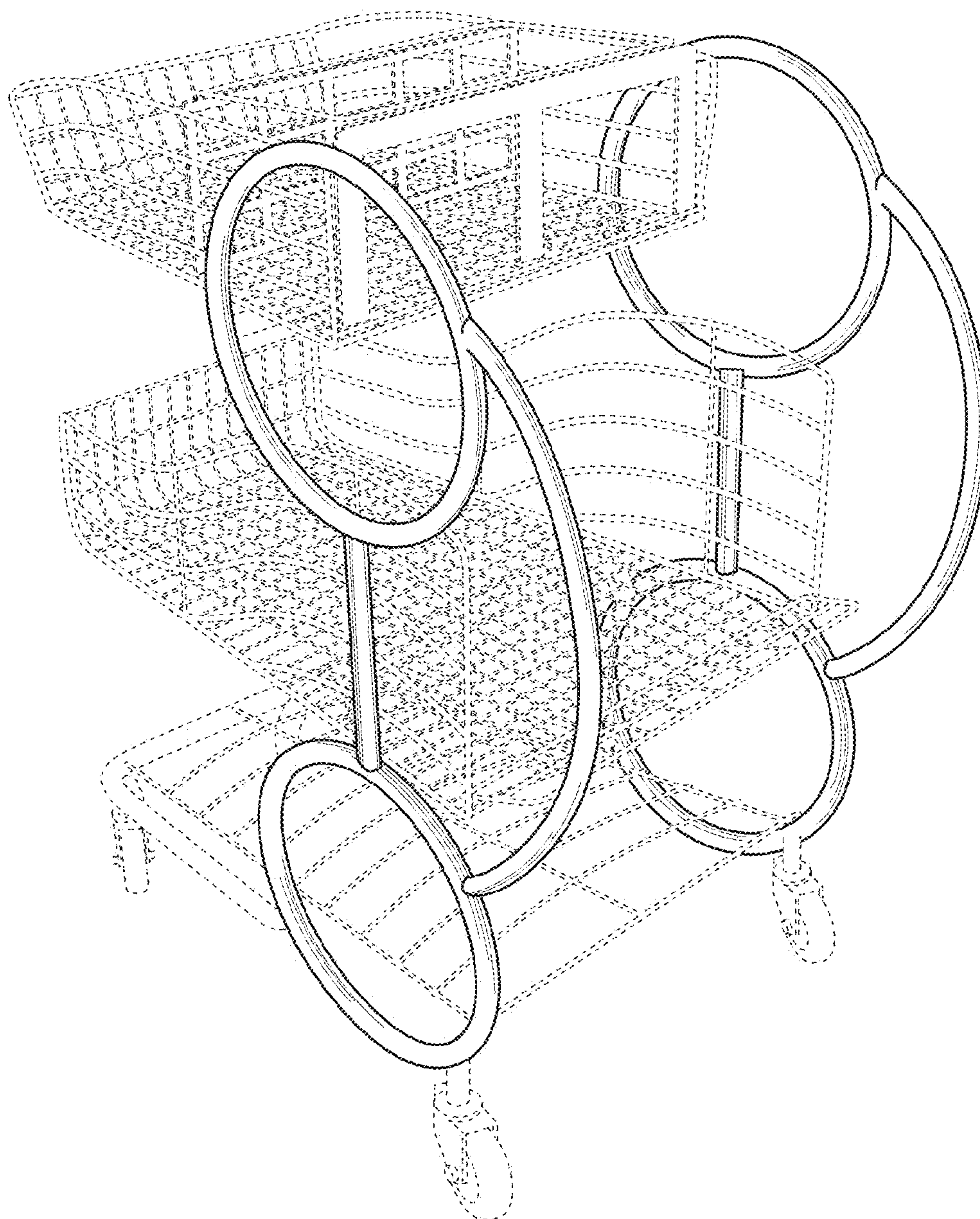


FIG. 7

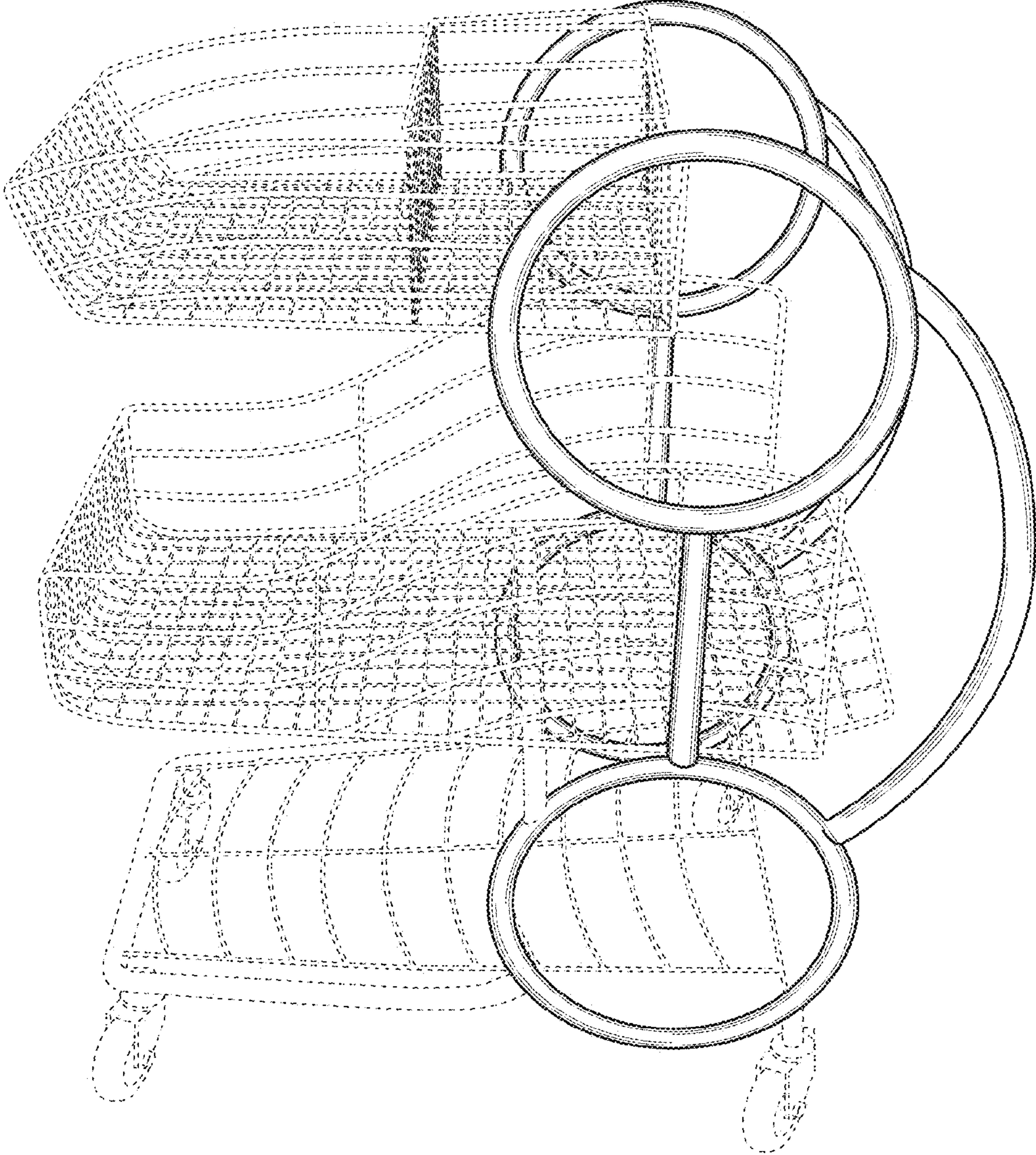


FIG. 8

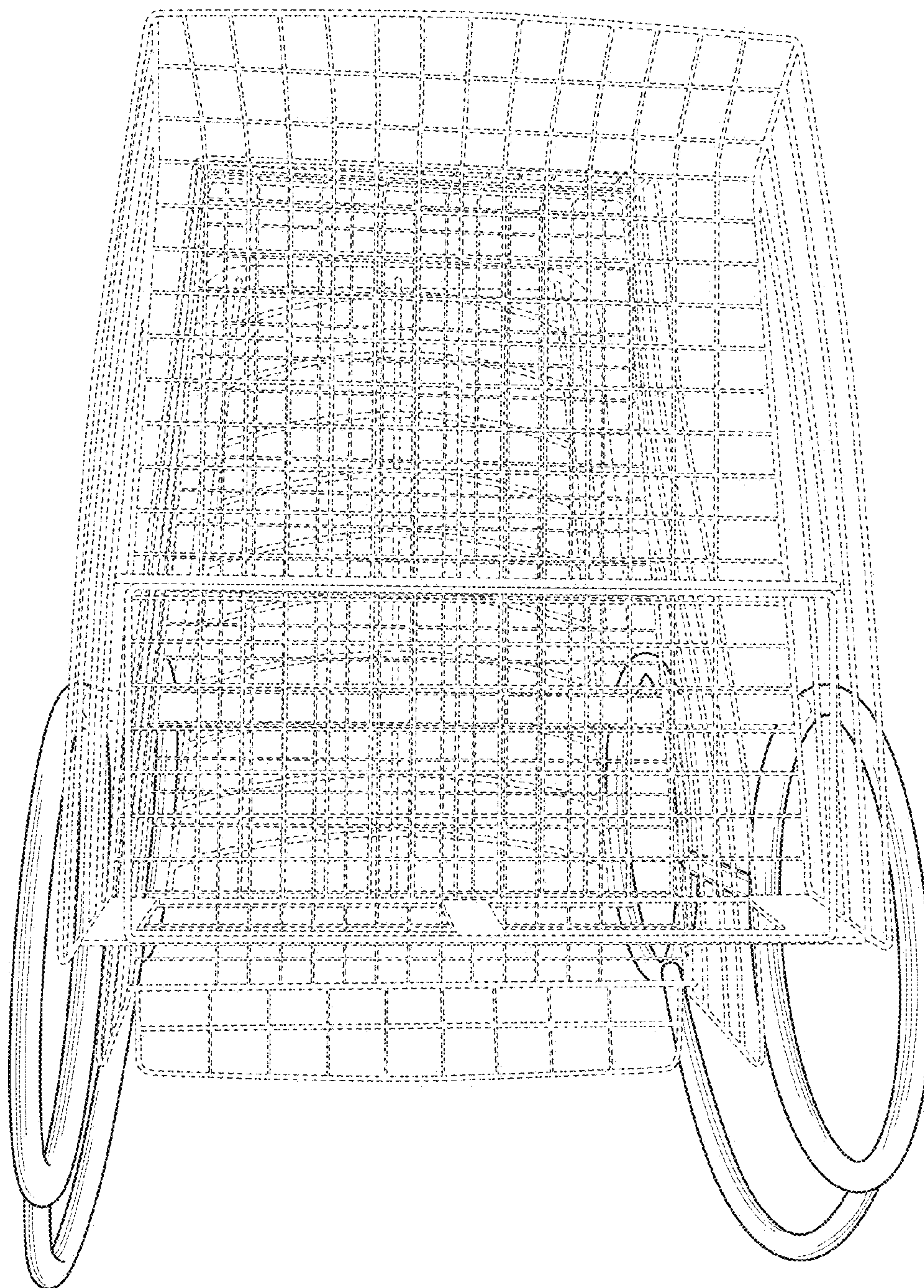


FIG. 9

UNITED STATES PATENT AND TRADEMARK OFFICE
CERTIFICATE OF CORRECTION

PATENT NO. : D749,286 S
APPLICATION NO. : 29/518322
DATED : February 9, 2016
INVENTOR(S) : Michael Milton Sherman and William Lane Ball

Page 1 of 3

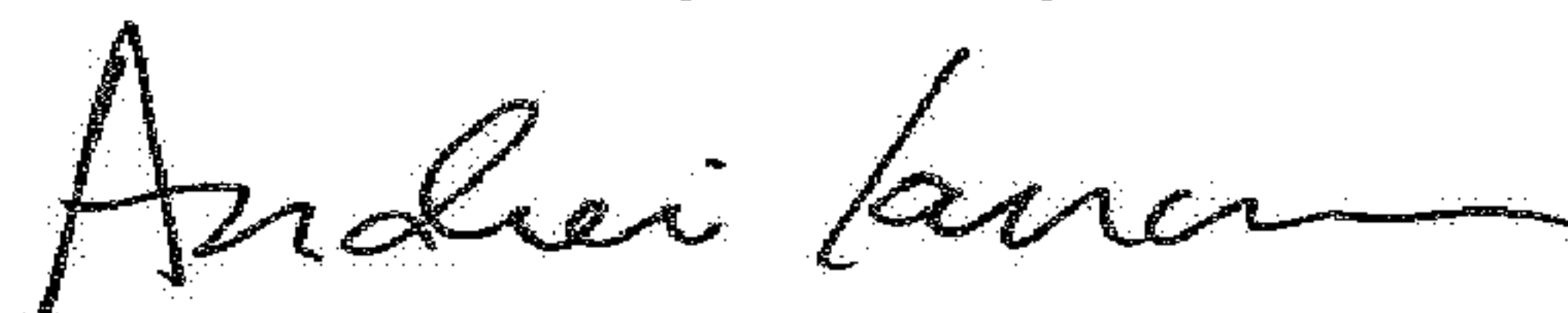
It is certified that error appears in the above-identified patent and that said Letters Patent is hereby corrected as shown below:

In the Drawings

Sheet 5, FIG. 5 is deleted and replaced with the attached FIG. 5.

Sheet 7, FIG. 7 is deleted and replaced with the attached FIG. 7.

Signed and Sealed this
Tenth Day of July, 2018



Andrei Iancu
Director of the United States Patent and Trademark Office

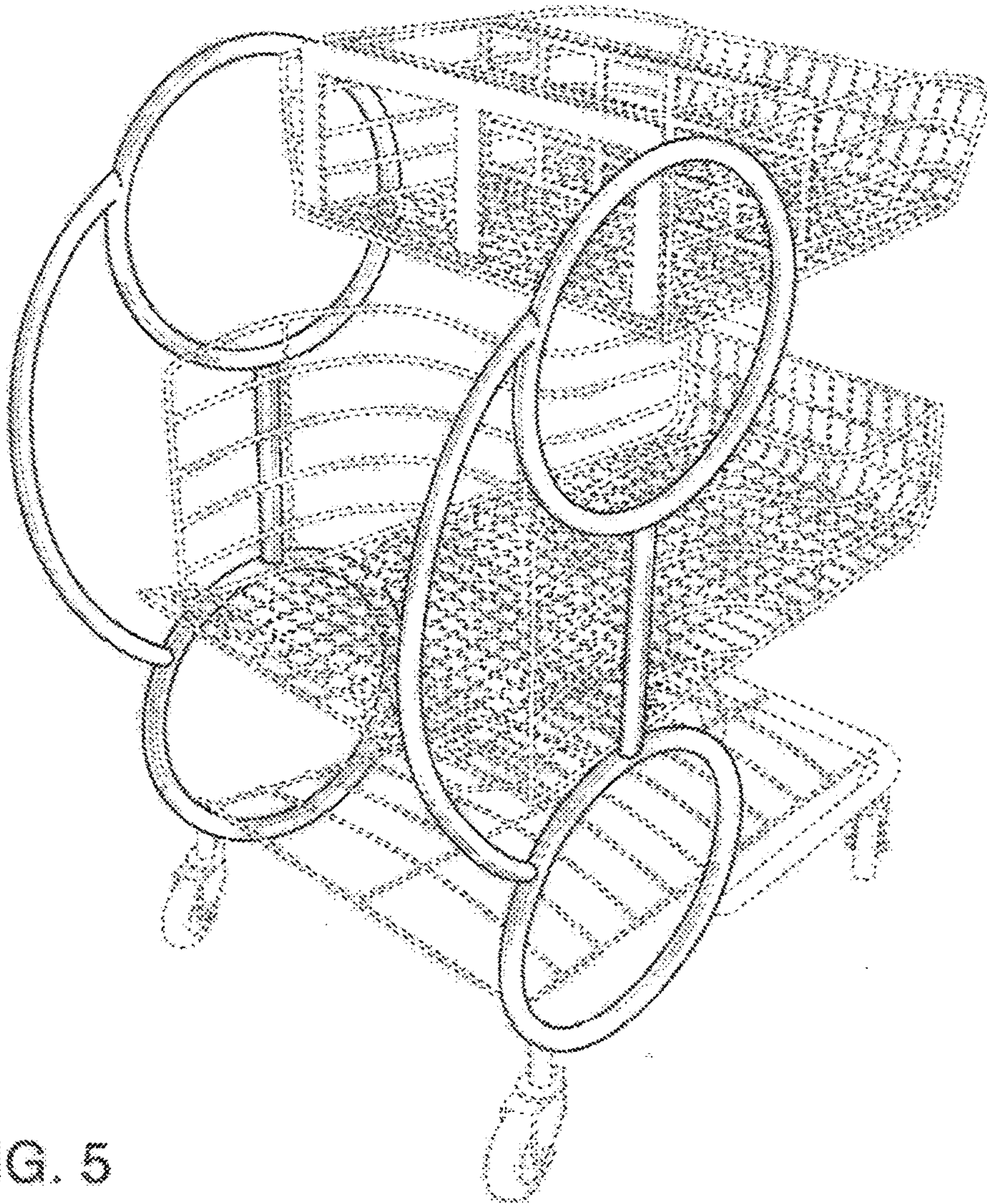


FIG. 5

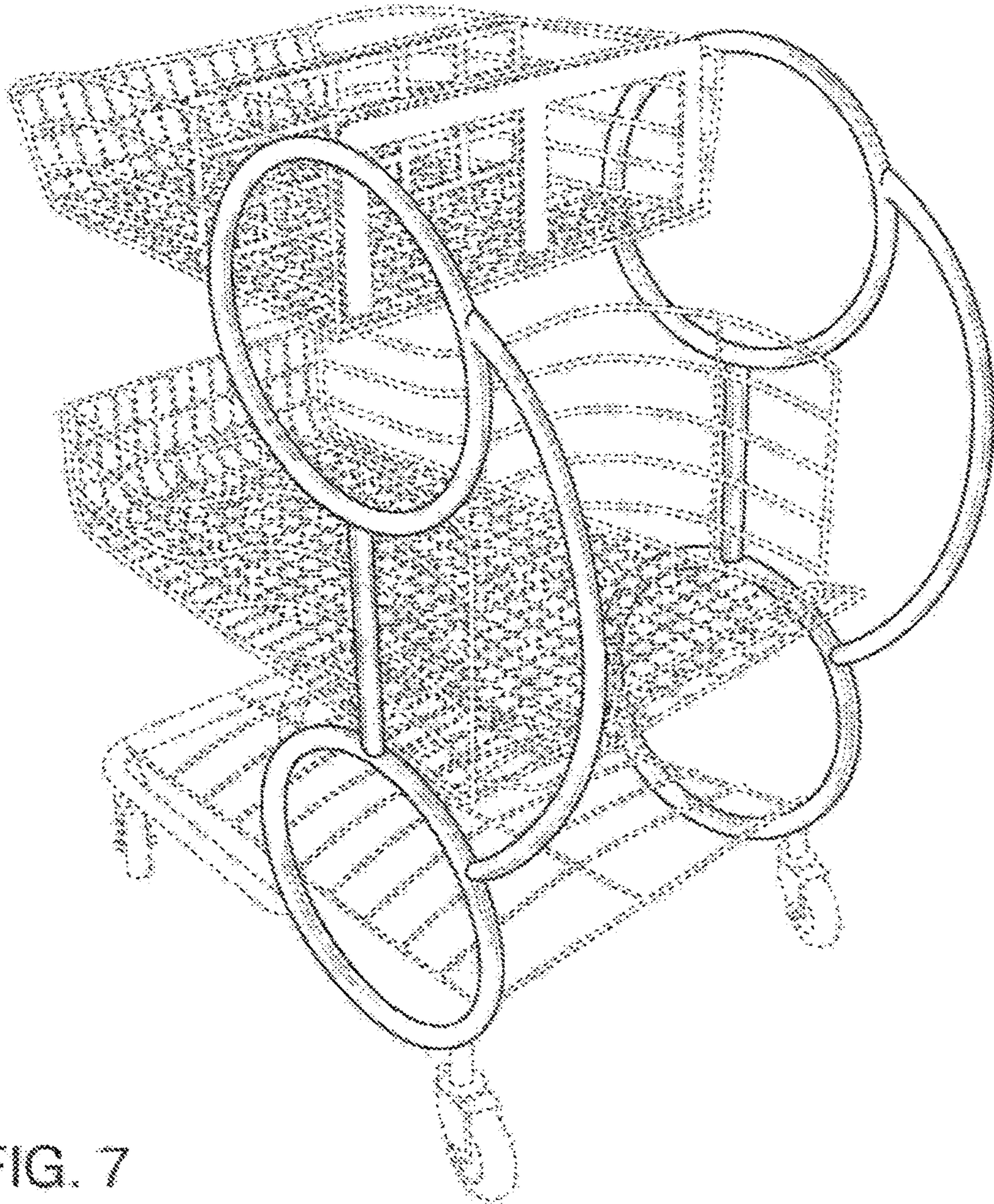


FIG. 7