



US00D749284S

(12) **United States Design Patent**
Renner et al.

(10) **Patent No.:** **US D749,284 S**
(45) **Date of Patent:** **** Feb. 9, 2016**

- (54) **HIGH-PRESSURE CLEANER**
- (71) Applicant: **Alfred Kaercher GmbH & Co. KG**,
Winnenden (DE)
- (72) Inventors: **Reinhard Renner**, Esslingen (DE);
Michael Meyer, Schwaikheim (DE)
- (73) Assignee: **Alfred Kaercher GmbH & Co. KG**,
Winnenden (DE)
- (**) Term: **14 Years**
- (21) Appl. No.: **29/509,428**
- (22) Filed: **Nov. 18, 2014**

D518,253	S *	3/2006	Erlich	D32/18
D539,494	S *	3/2007	Carpanese	D32/25
7,237,728	B1 *	7/2007	Laible	A62C 13/76 239/310
D550,411	S *	9/2007	Carpanese	D32/25
D611,664	S *	3/2010	Sebor	D32/15
D675,713	S *	2/2013	Christensen	D23/225
D681,889	S *	5/2013	Bruneel	D32/25
8,726,939	B2 *	5/2014	Laible	B05B 7/12 137/892
D726,982	S *	4/2015	Campelli	D32/25
D728,876	S *	5/2015	Scarpellini	D32/25
D729,474	S *	5/2015	Helfert	D32/25
2004/0118947	A1 *	6/2004	Amaduzzi	B05B 1/302 239/525
2004/0195383	A1 *	10/2004	Amaduzzi	B05B 1/302 239/526

- (30) **Foreign Application Priority Data**
May 23, 2014 (WO) DM/083 673
- (51) **LOC (10) Cl.** **15-05**
- (52) **U.S. Cl.**
USPC **D32/25**
- (58) **Field of Classification Search**
USPC D32/1, 25, 17, 15; D23/213, 223, 225,
D23/226
CPC B05B 1/302; B05B 7/2443; B05B 7/12;
B01J 47/002; A62C 13/76
See application file for complete search history.

- (56) **References Cited**
U.S. PATENT DOCUMENTS
4,475,689 A * 10/1984 Hauger B05B 7/2443
239/318
D422,055 S * 3/2000 Stasny D23/226
D436,700 S * 1/2001 Forbes D32/25
6,378,785 B1 * 4/2002 Dodd B05B 7/2443
239/318
D474,529 S * 5/2003 Sodemann D23/223
D489,792 S * 5/2004 Chen D23/223
6,869,028 B2 * 3/2005 Bartsch B01J 47/002
239/303
D511,808 S * 11/2005 Chen D23/223

OTHER PUBLICATIONS

Extract from catalog of Alfred Kaercher GmbH & Co. KG, "Programme 2010 Kaercher Home & Garden", cover, pp. 10-24 and last page (Nov. 2009).

(Continued)

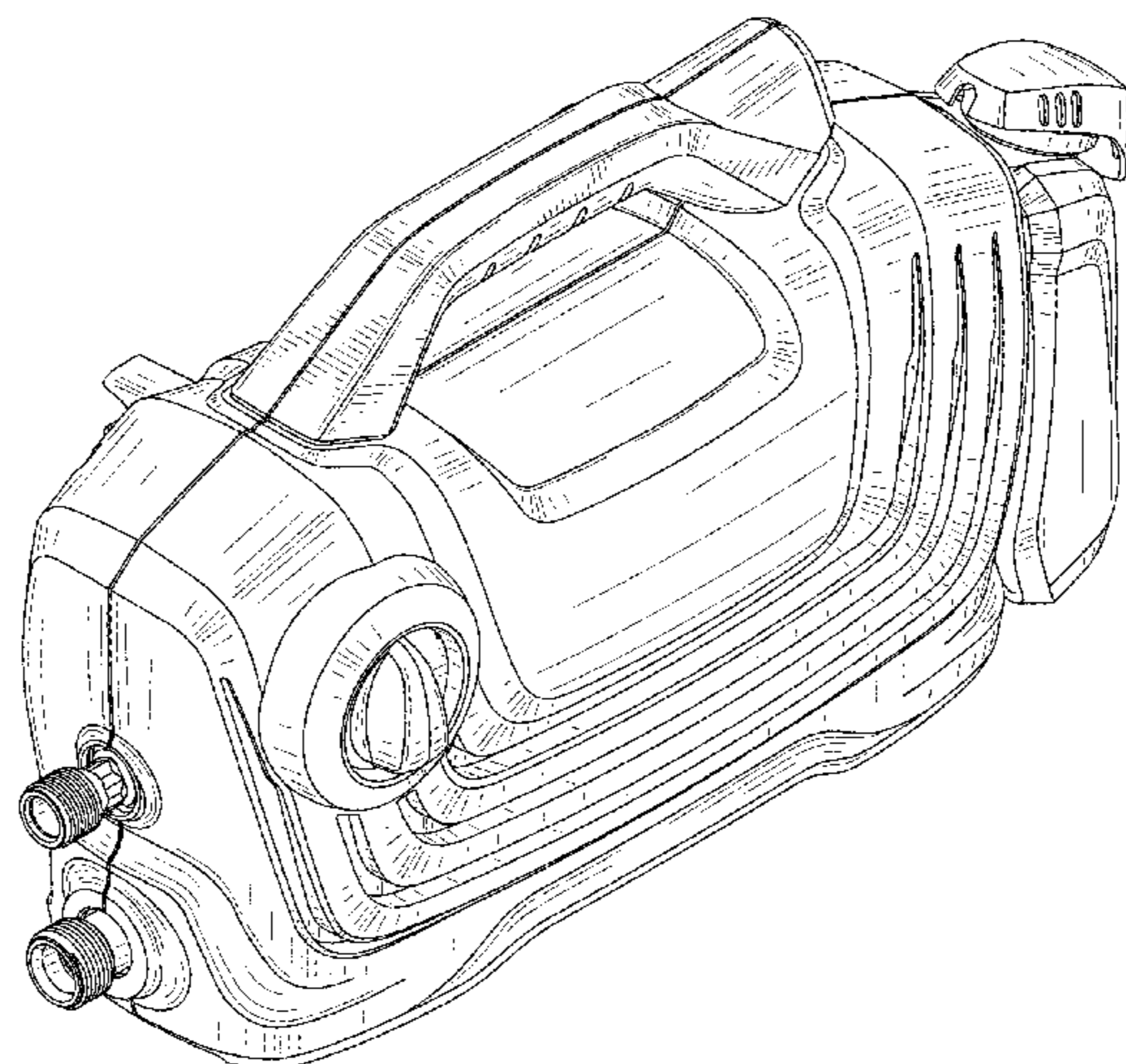
Primary Examiner — T. Chase Nelson
Assistant Examiner — Michelle E Wilson
(74) *Attorney, Agent, or Firm* — Lipsitz & McAllister, LLC

(57) **CLAIM**
The ornamental design for a high-pressure cleaner, as shown and described.

DESCRIPTION

FIG. 1 is a front, top and left side perspective view of a high-pressure cleaner showing the new design; FIG. 2 is a front, top and right side perspective view thereof; FIG. 3 is a front elevational view thereof; FIG. 4 is a left side elevational view thereof; FIG. 5 is a rear elevational view thereof; FIG. 6 is a right side elevational view thereof; and, FIG. 7 is a top plan view thereof.

1 Claim, 7 Drawing Sheets



(56)

References Cited

OTHER PUBLICATIONS

Extract from catalog of Alfred Kaercher GmbH & Co. KG, "Programme 2010 Kaercher Professional", cover, pp. 10-18, 21, 25 and last page (Nov. 2009).

Extract from catalog of Alfred Kaercher GmbH & Co. KG, "Programme 2011 Kaercher Home & Garden", cover, pp. 12-31 and last page (Nov. 2010).

Extract from catalog of Alfred Kaercher GmbH & Co. KG, "Programme 2011 Kaercher Professional", cover, pp. 12, 14, 16, 18, 24, 26 and last page (Nov. 2010).

Extract from catalog of Alfred Kaercher GmbH & Co. KG, "Programme 2012 Kaercher Home & Garden", cover, pp. 14, 15, 17, 20-41 and last page (Oct. 2011).

Extract from catalog of Alfred Kaercher GmbH & Co. KG, "Programme 2012 Kaercher Professional", cover, pp. 12, 14, 16, 18, 20-25, 28, 30, 32, 34-36, 38, 40-42, 44 and last page (Nov. 2011).

Extract from catalog of Alfred Kaercher GmbH & Co. KG, "Programme 2013 Kaercher Home & Garden", cover, pp. 15-17, 19-33, 36, 37, 39, 41-46 and last page (Oct. 2012).

Extract from catalog of Alfred Kaercher GmbH & Co. KG, "Programme 2013 Kaercher Professional", cover, pp. 16-49 and last page (Nov. 2012).

Extract from catalog of Alfred Kaercher GmbH & Co. KG, "Programme 2014 Kaercher Home & Garden", cover, pp. 11-13, 16-36 and last page (Oct. 2013).

Extract from catalog of Alfred Kaercher GmbH & Co. KG, "Programme 2014 Kaercher Professional", cover, pp. 18, 20, 22, 24, 26-32, 34, 36, 38, 40-42, 44, 46, 47 and last page (Oct. 2013).

* cited by examiner

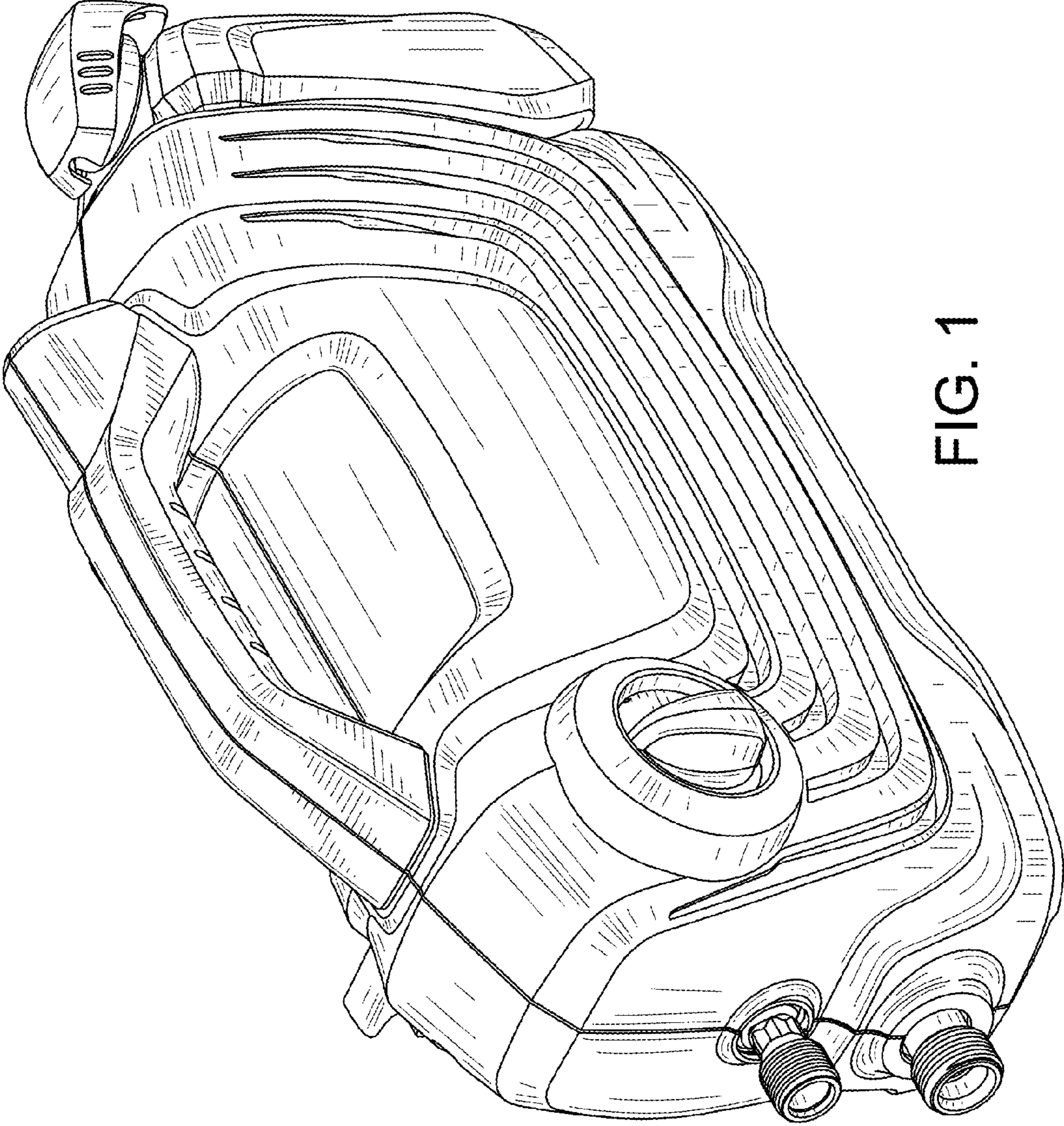


FIG. 1

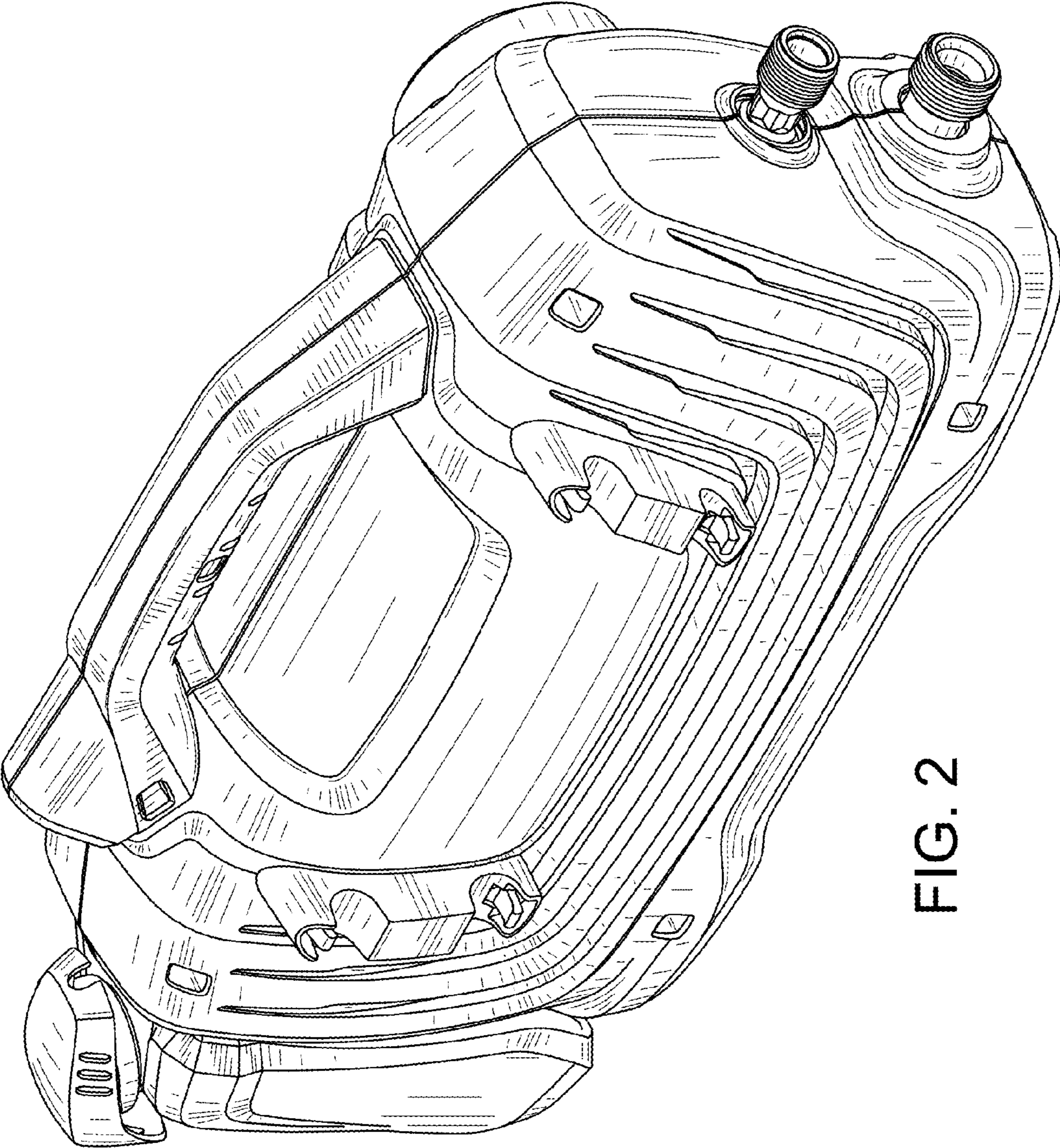


FIG. 2

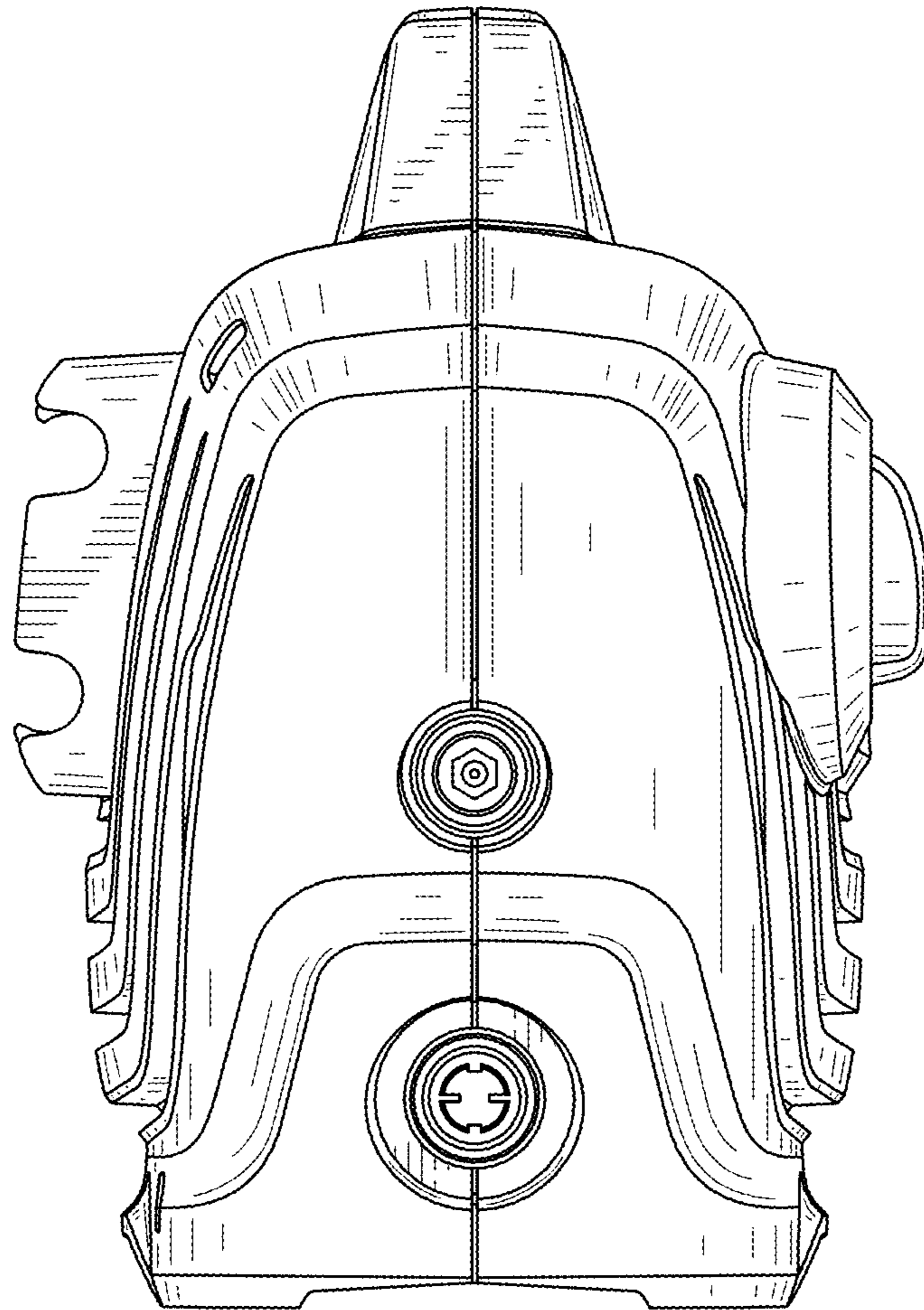


FIG. 3

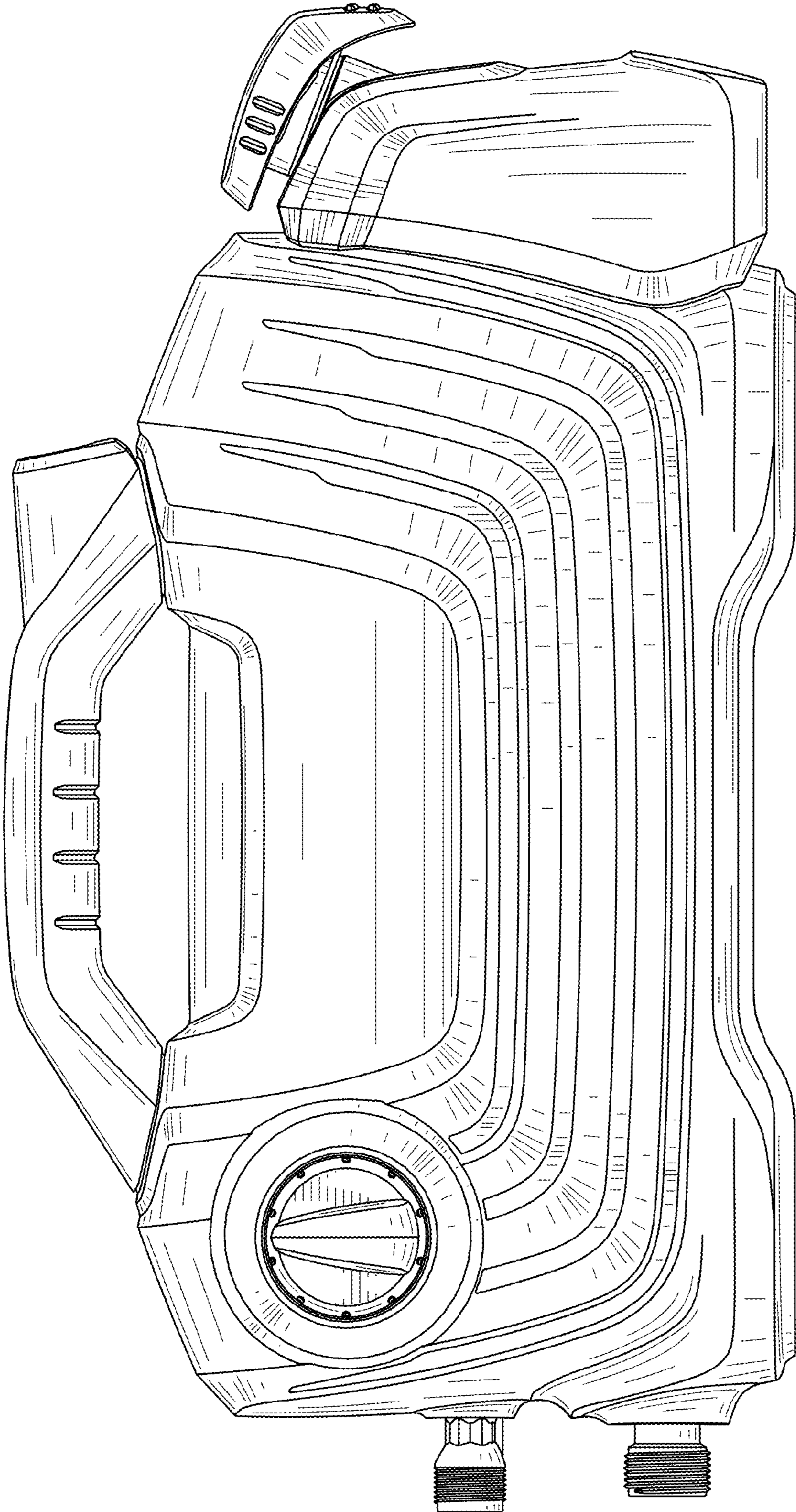


FIG. 4

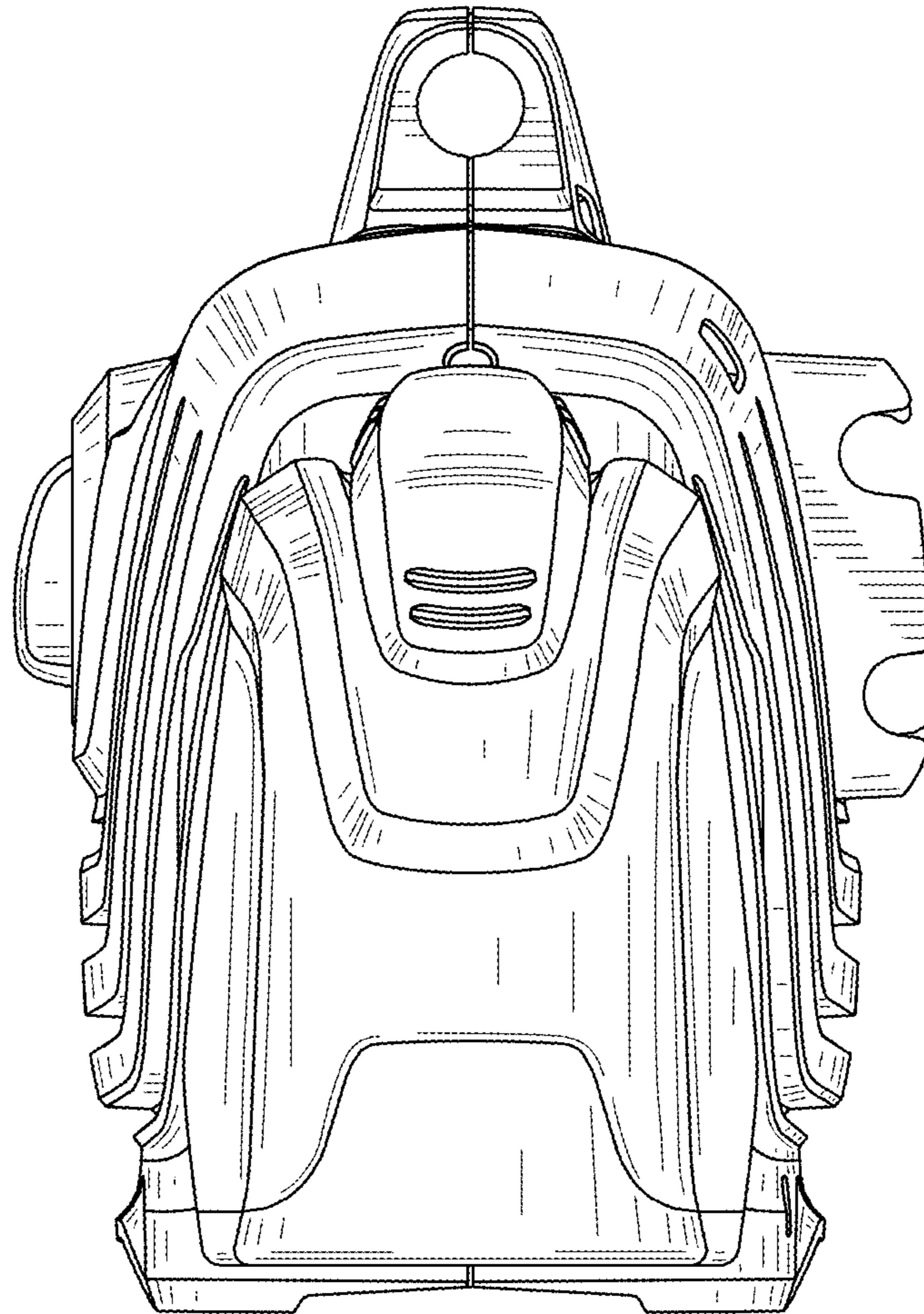


FIG. 5

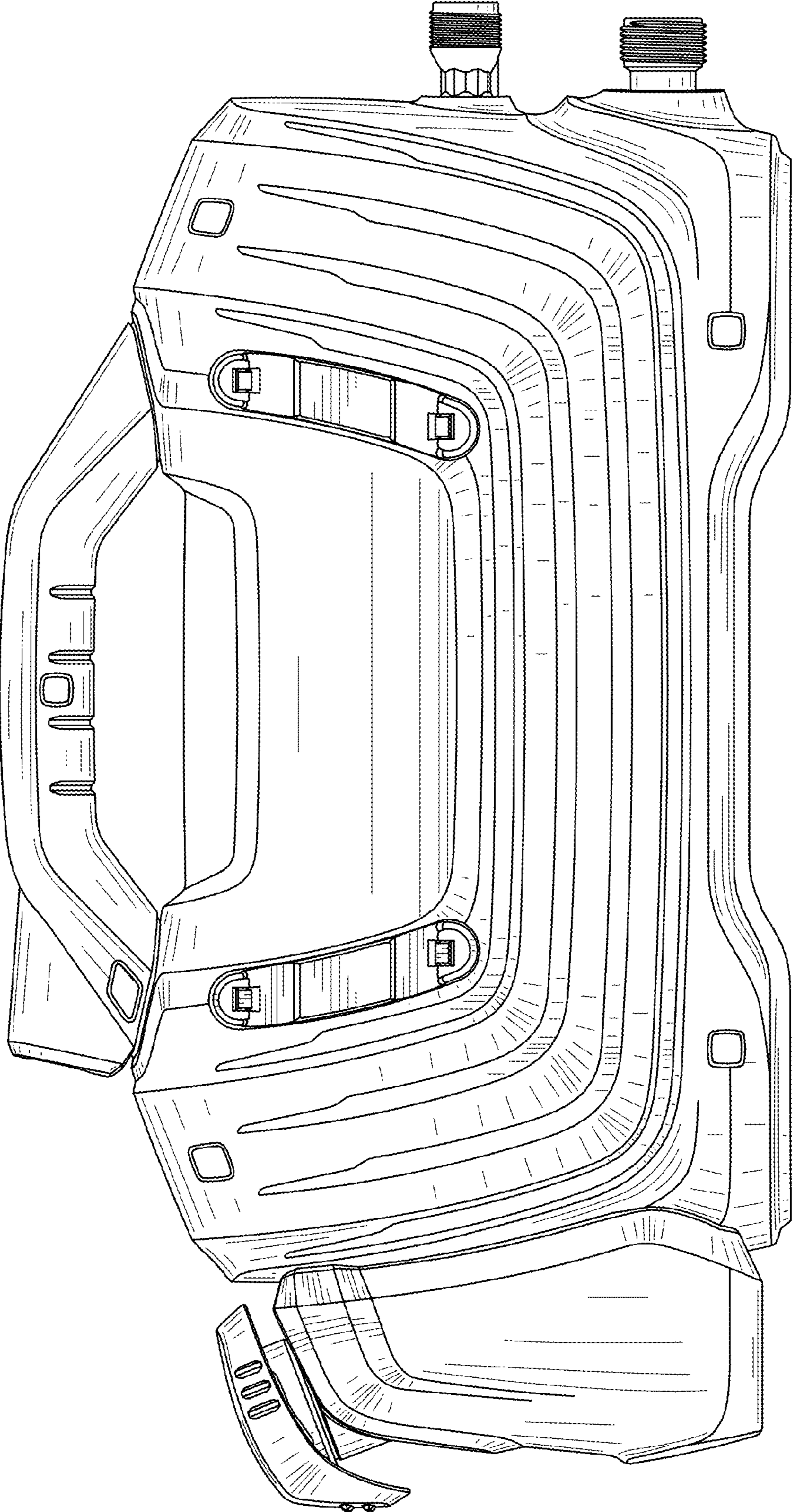


FIG. 6

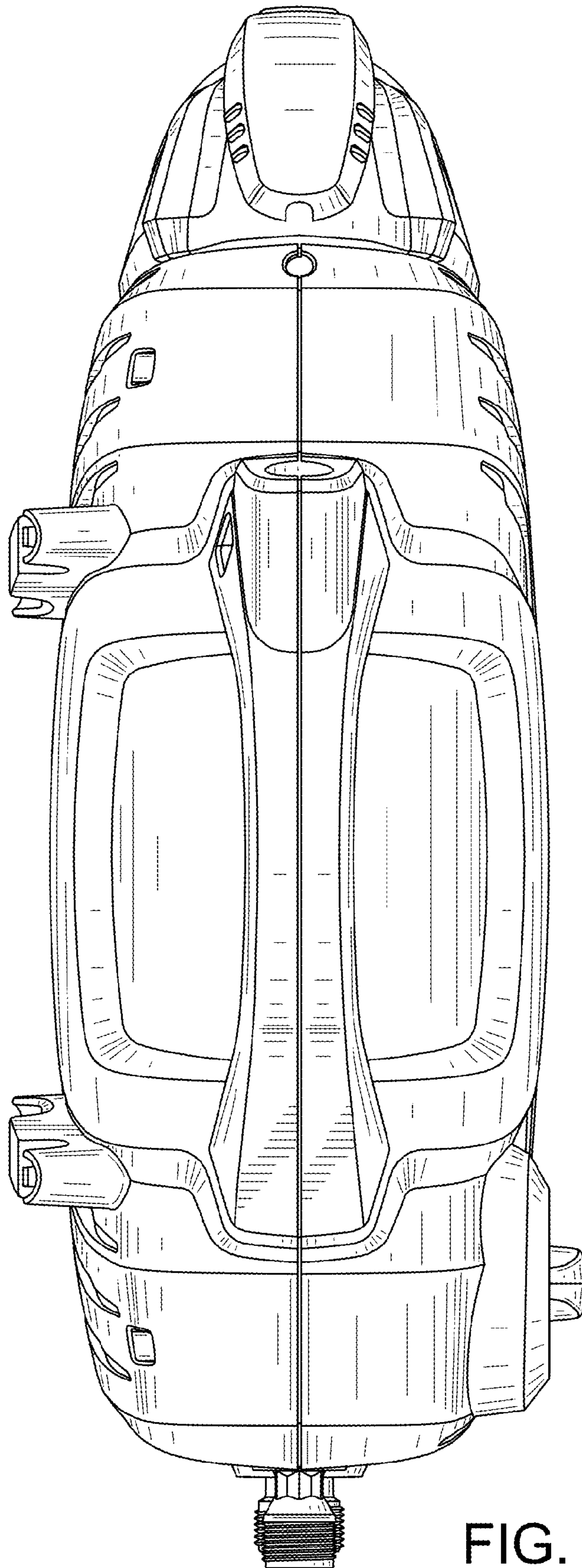


FIG. 7