



US00D749279S

(12) **United States Design Patent**
Garvey

(10) **Patent No.:** **US D749,279 S**
(45) **Date of Patent:** **** Feb. 9, 2016**

(54) **SCOOP HOLDER**

(71) Applicant: **Megumi Garvey**, Marina del Rey, CA
(US)

(72) Inventor: **Megumi Garvey**, Marina del Rey, CA
(US)

(**) Term: **14 Years**

(21) Appl. No.: **29/488,436**

(22) Filed: **Apr. 18, 2014**

(51) **LOC (10) Cl.** **30-99**

(52) **U.S. Cl.**
USPC **D30/199**

(58) **Field of Classification Search**
USPC D30/199, 162; 119/161, 166;
248/309.1, 314, 300, 301; D7/637,
D7/601, 387, 213; 294/1.3, 176; D6/513
CPC A47F 13/08; A47J 47/16; A01K 1/0114
See application file for complete search history.

(56) **References Cited**

U.S. PATENT DOCUMENTS

3,840,261 A * 10/1974 Fulkerson A47F 13/08
294/176
5,613,660 A * 3/1997 Wyatt A47F 13/08
248/300
6,039,368 A * 3/2000 Kowalczyk A01K 1/0114
119/161
D429,853 S * 8/2000 Hammond D30/162

D501,886 S * 2/2005 Chen D19/77
6,976,661 B2 * 12/2005 Lipscomb A01K 1/0114
119/166
D608,574 S * 1/2010 Goodman D6/513
7,686,360 B2 * 3/2010 Platt A01K 1/0114
294/1.3
D614,427 S * 4/2010 Nejad D6/553
D635,310 S * 3/2011 Jessmon D30/162
2006/0156991 A1 * 7/2006 Burns A01K 1/0114
119/161
2006/0243867 A1 * 11/2006 Strickland B65B 67/1238
248/101
2007/0096483 A1 * 5/2007 Binkowski E01H 1/1206
294/1.3

* cited by examiner

Primary Examiner — Terry Wallace

(74) *Attorney, Agent, or Firm* — Hankin Patent Law, APC;
Jimmy Sauz; Kevin Schraven

(57) **CLAIM**

The ornamental design for a scoop holder, as shown and described.

DESCRIPTION

FIG. 1 is a bottom perspective view of a scoop holder showing my new design.

FIG. 2 is a short side view thereof.

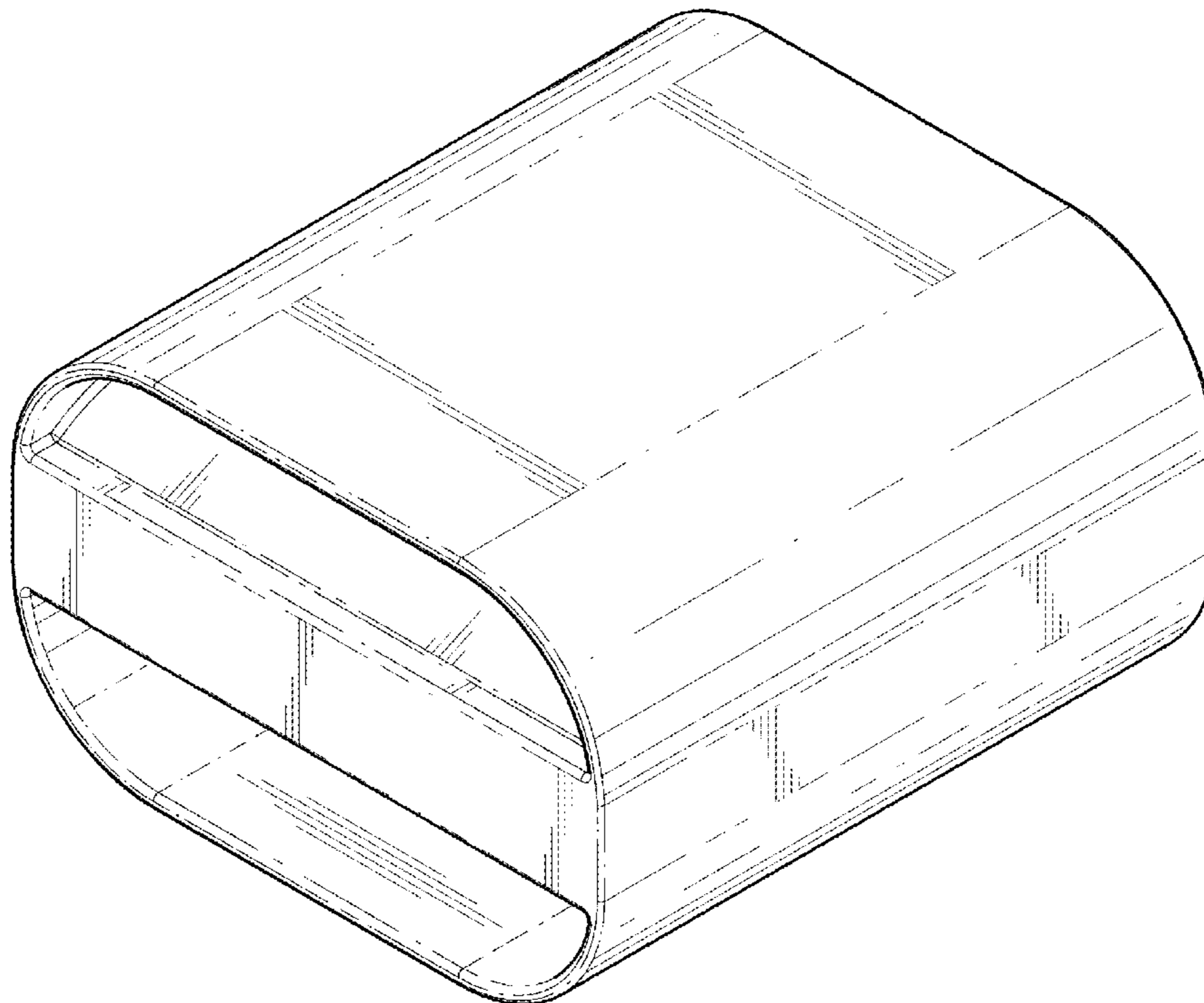
FIG. 3 is a bottom plan view thereof.

FIG. 4 is a top plan view thereof.

FIG. 5 is a long side view thereof; and,

FIG. 6 is a short side cross-section view taken along line 6-6 of 3.

1 Claim, 6 Drawing Sheets



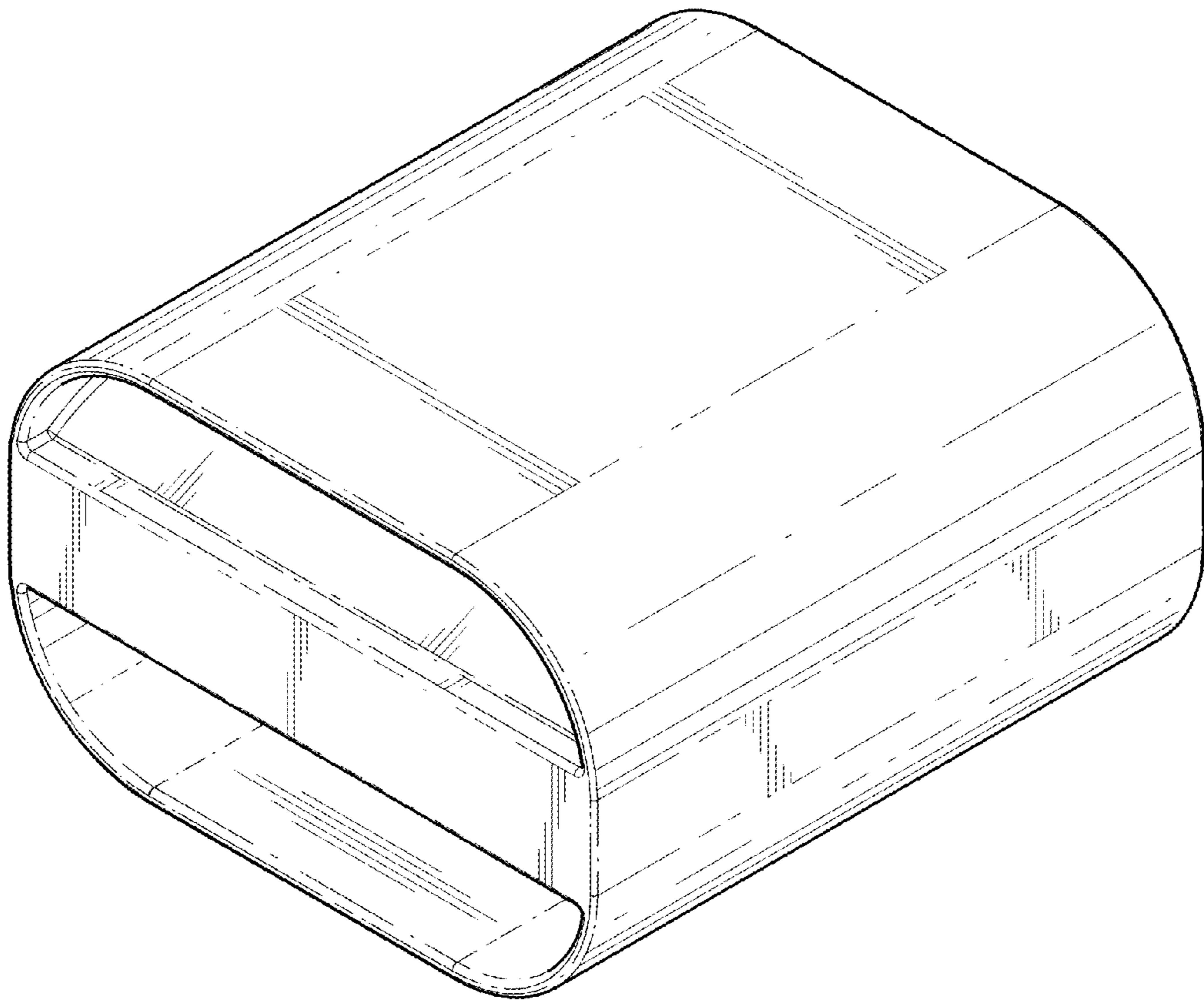


FIG. 1

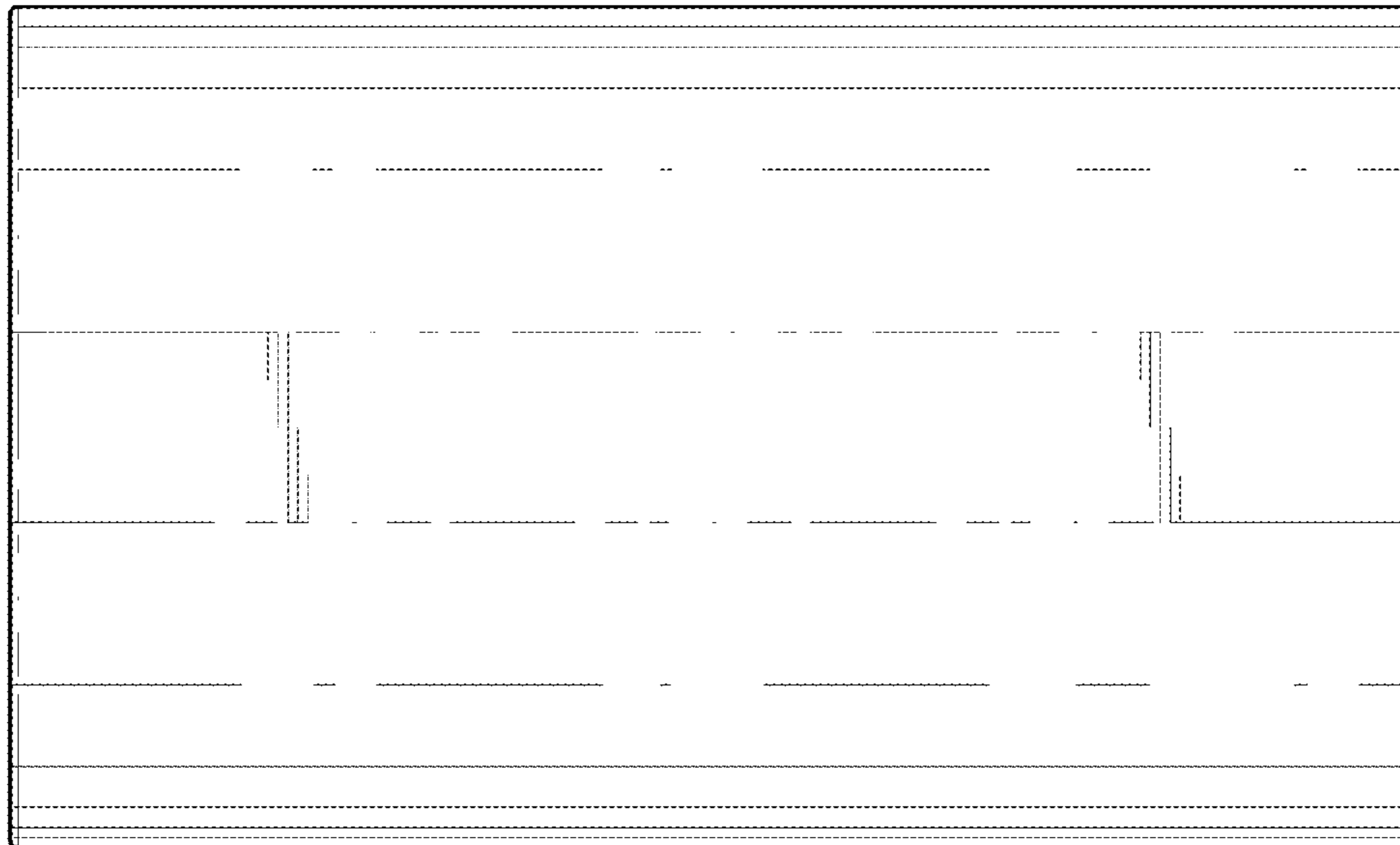


FIG. 2

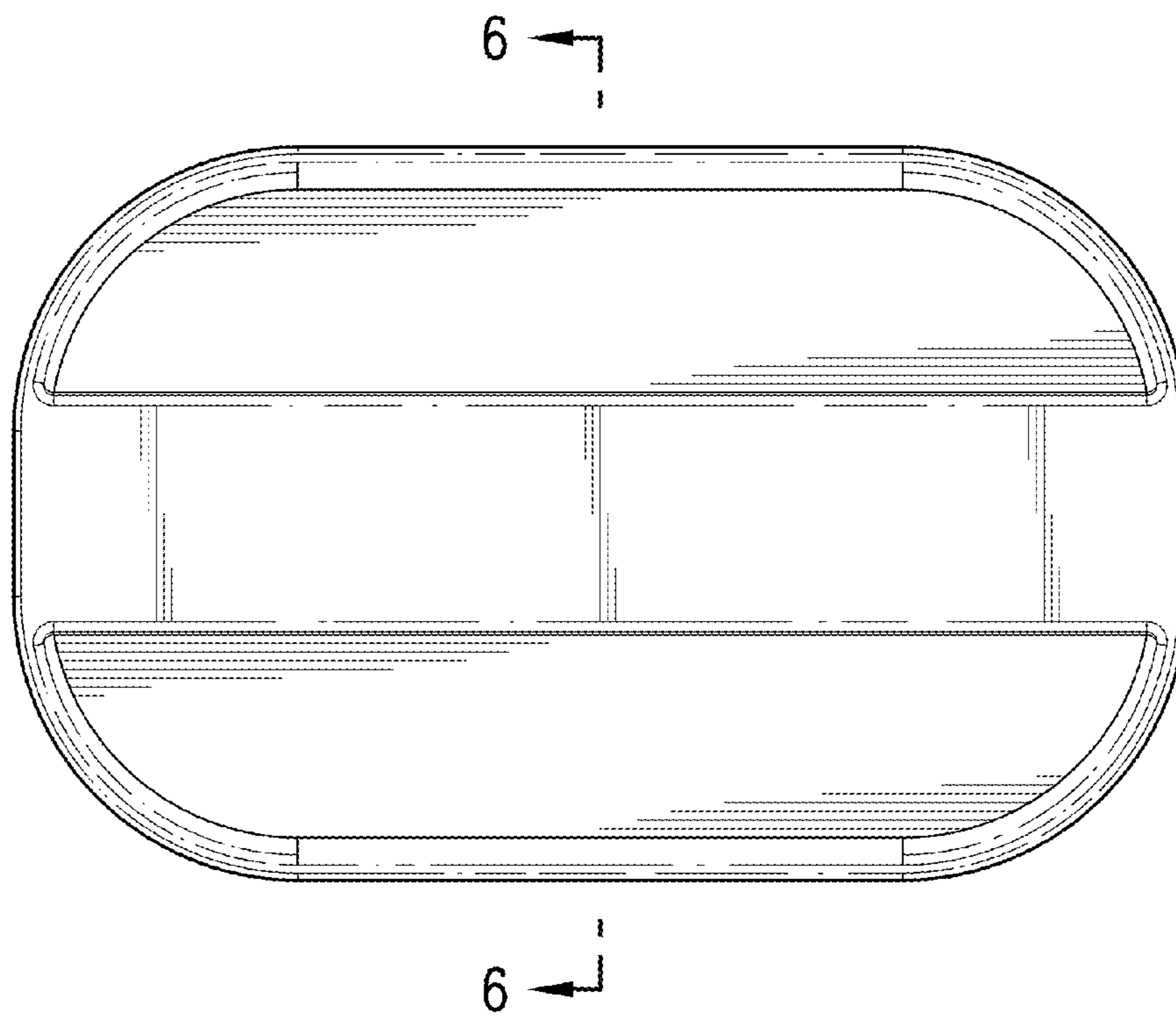


FIG. 3

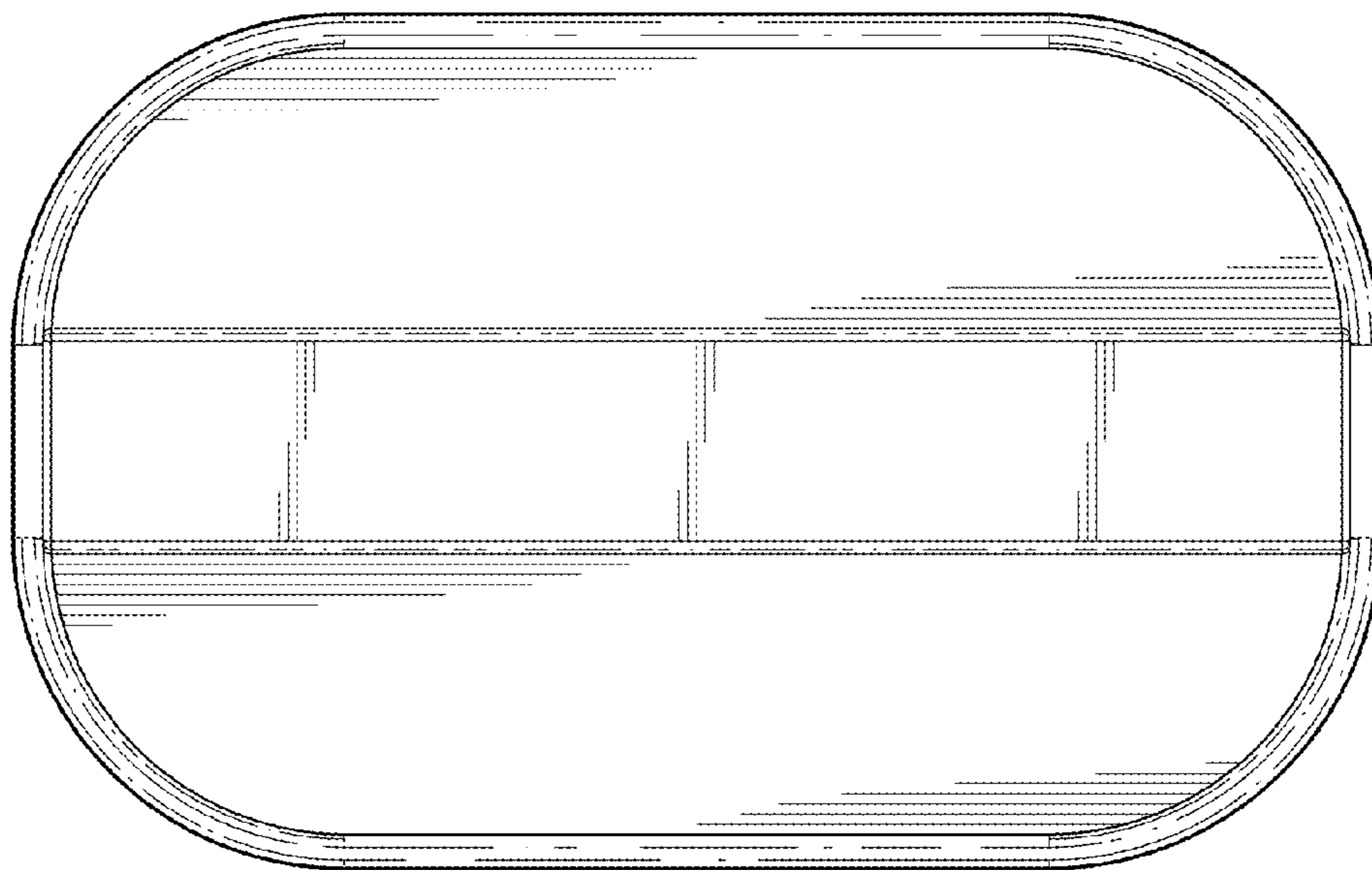


FIG. 4

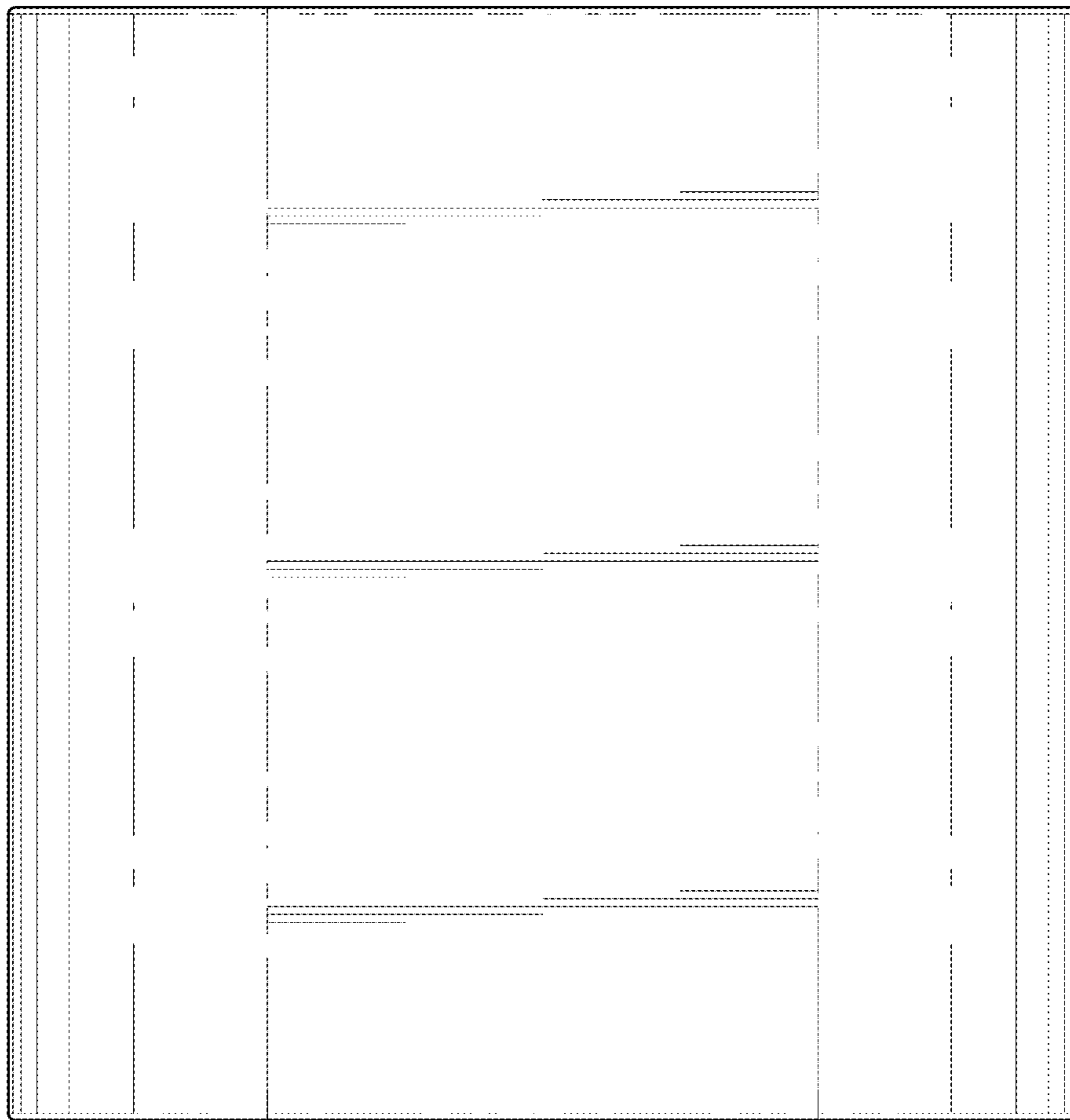


FIG. 5

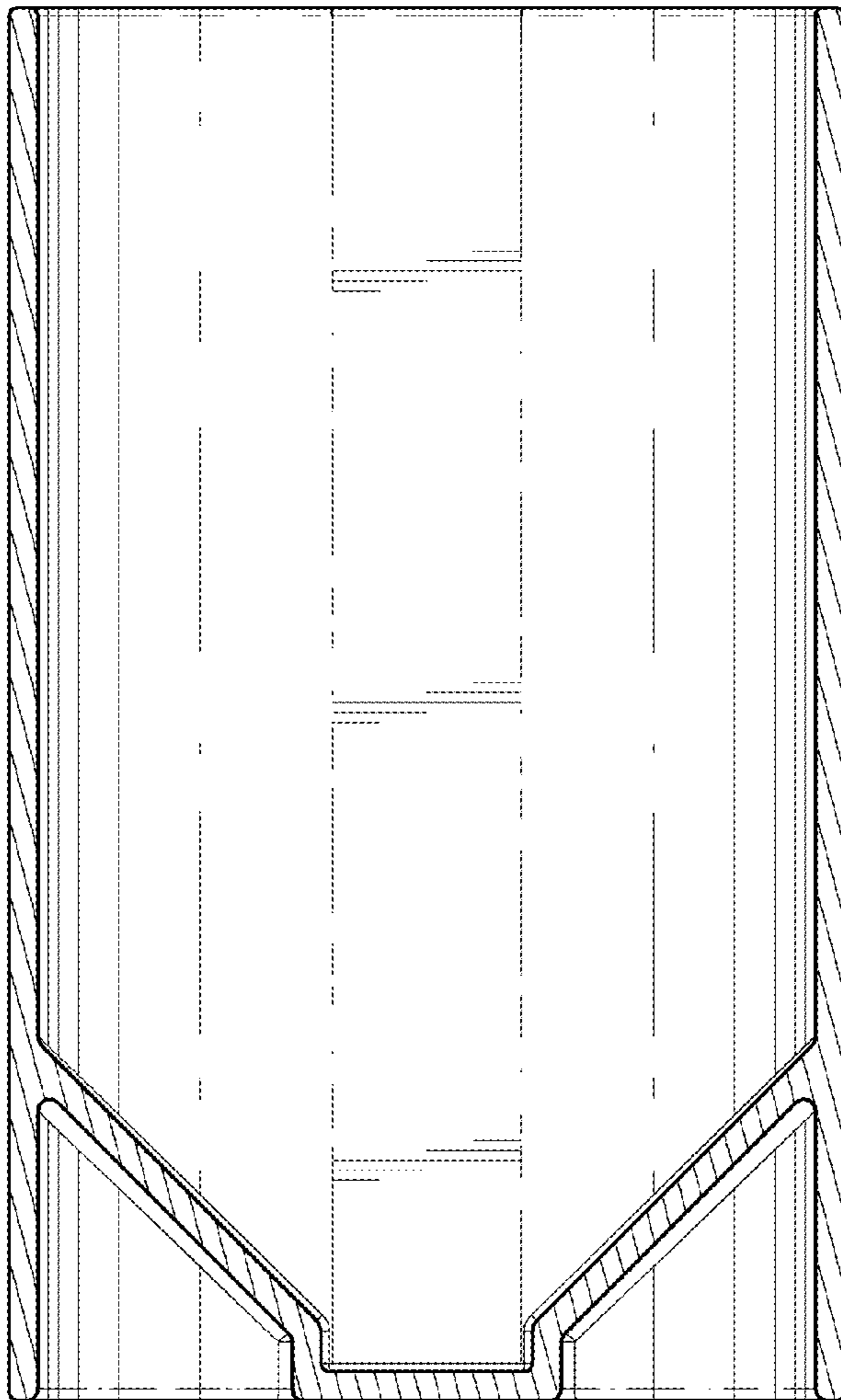


FIG. 6