



US00D749278S

(12) **United States Design Patent**
Garvey

(10) **Patent No.:** **US D749,278 S**

(45) **Date of Patent:** **** Feb. 9, 2016**

- (54) **SCOOP**
- (71) Applicant: **Megumi Garvey**, Marina del Rey, CA (US)
- (72) Inventor: **Megumi Garvey**, Marina del Rey, CA (US)
- (**) Term: **14 Years**
- (21) Appl. No.: **29/488,428**
- (22) Filed: **Apr. 18, 2014**
- (51) **LOC (10) Cl.** **30-99**
- (52) **U.S. Cl.**
USPC **D30/162; D7/692**
- (58) **Field of Classification Search**
USPC D7/691, 692; D30/161, 162, 199;
209/418, 417, 419; 294/176, 1.3, 1.5,
294/1.4, 179; 119/867, 161, 166
CPC A01K 1/0114; A01K 1/011; B07B 1/02;
E01H 1/1206; E01H 2001/128
See application file for complete search history.

- 6,976,661 B2 * 12/2005 Lipscomb A01K 1/0114
119/166
- 7,047,907 B1 * 5/2006 Johnston A01K 1/0114
294/1.3
- 7,686,360 B2 * 3/2010 Platt A01K 1/0114
294/1.3
- 2007/0267333 A1 * 11/2007 Delman A01K 1/0114
209/418

* cited by examiner

Primary Examiner — Terry Wallace

(74) *Attorney, Agent, or Firm* — Hankin Patent Law, APC;
Jimmy Sauz; Kevin Schraven

(56) **References Cited**

U.S. PATENT DOCUMENTS

- D332,675 S * 1/1993 Simon 294/1.3
- D347,497 S * 5/1994 VanSkiver 294/1.3
- D416,359 S * 11/1999 Schlueter D30/162
- 6,039,368 A * 3/2000 Kowalczyk A01K 1/0114
119/161
- D429,853 S * 8/2000 Hammond D30/162

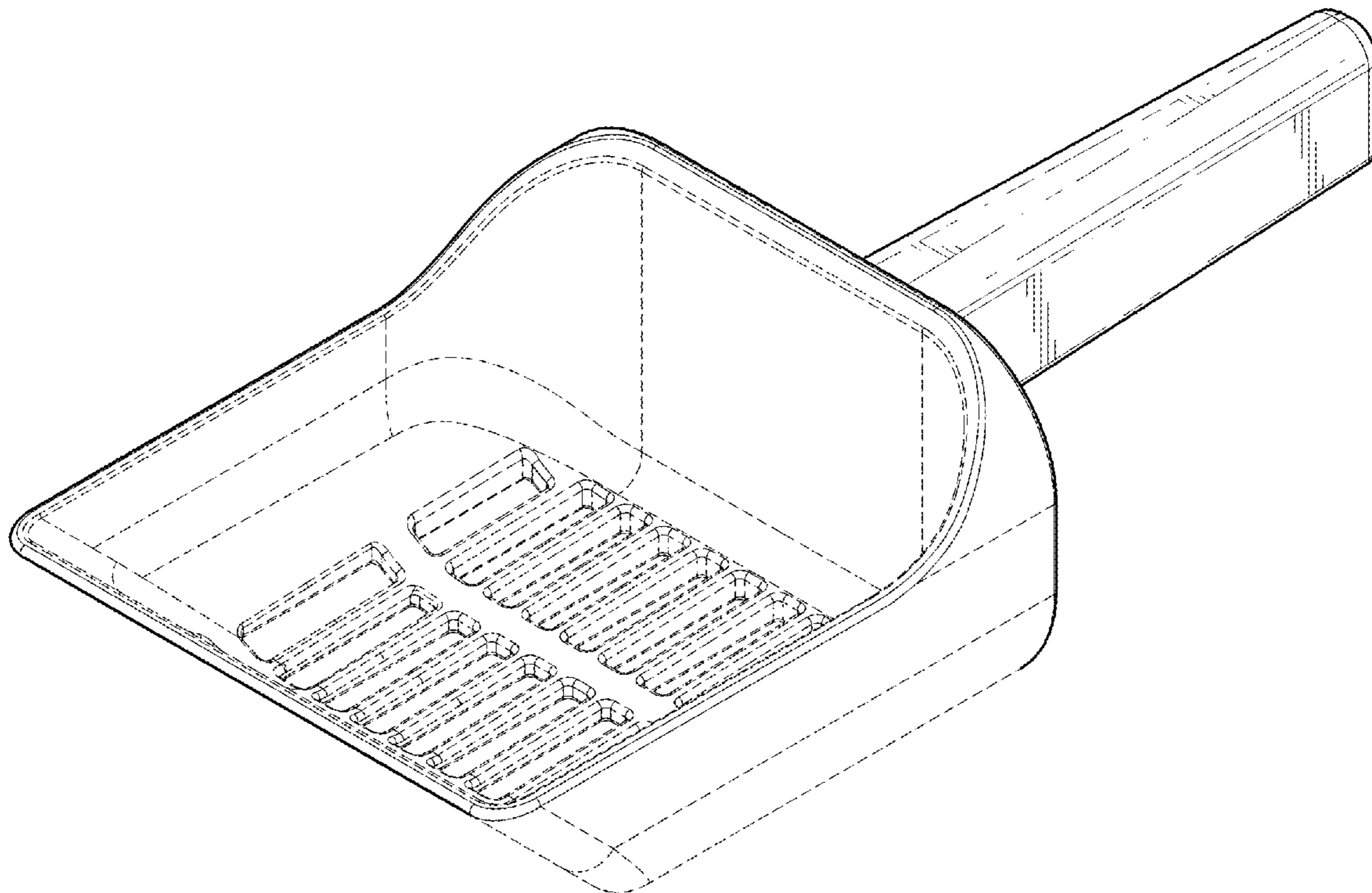
(57) **CLAIM**

The ornamental design for a scoop, as shown and described.

DESCRIPTION

FIG. 1 is an illustration of a top perspective view of a scoop showing my new design.
 FIG. 2 is an illustration of a side elevational view thereof.
 FIG. 3 is an illustration of a front elevational view thereof.
 FIG. 4 is an illustration of a rear elevational view thereof.
 FIG. 5 is an illustration of a top plan view thereof.
 FIG. 6 is an illustration of a bottom plan view thereof; and,
 FIG. 7 is an illustration of a bottom perspective view thereof.
 The broken lines showing portions of the scoop are for the purpose of illustrating unclaimed subject matter and form no part of the claimed design.

1 Claim, 6 Drawing Sheets



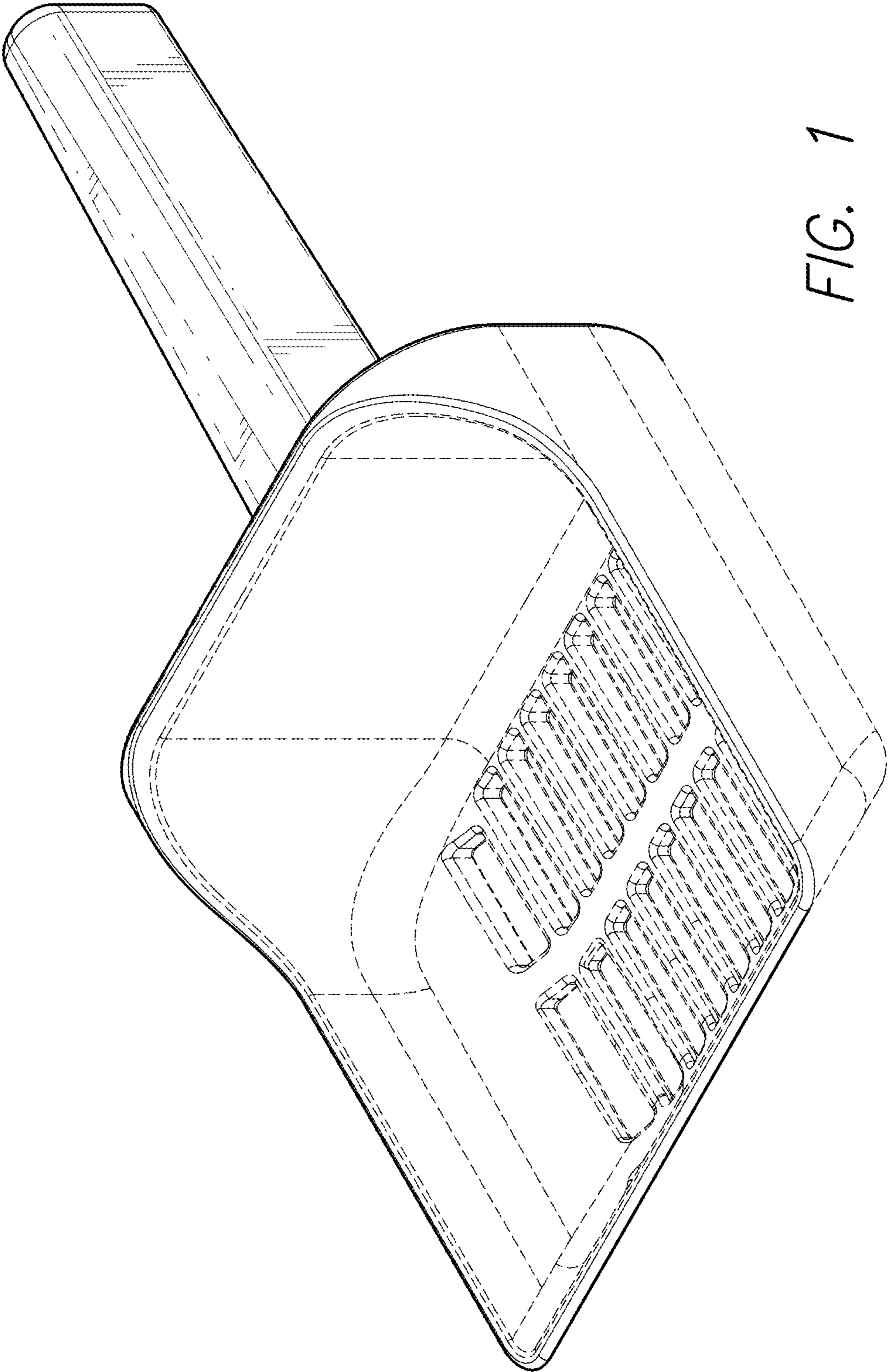


FIG. 1

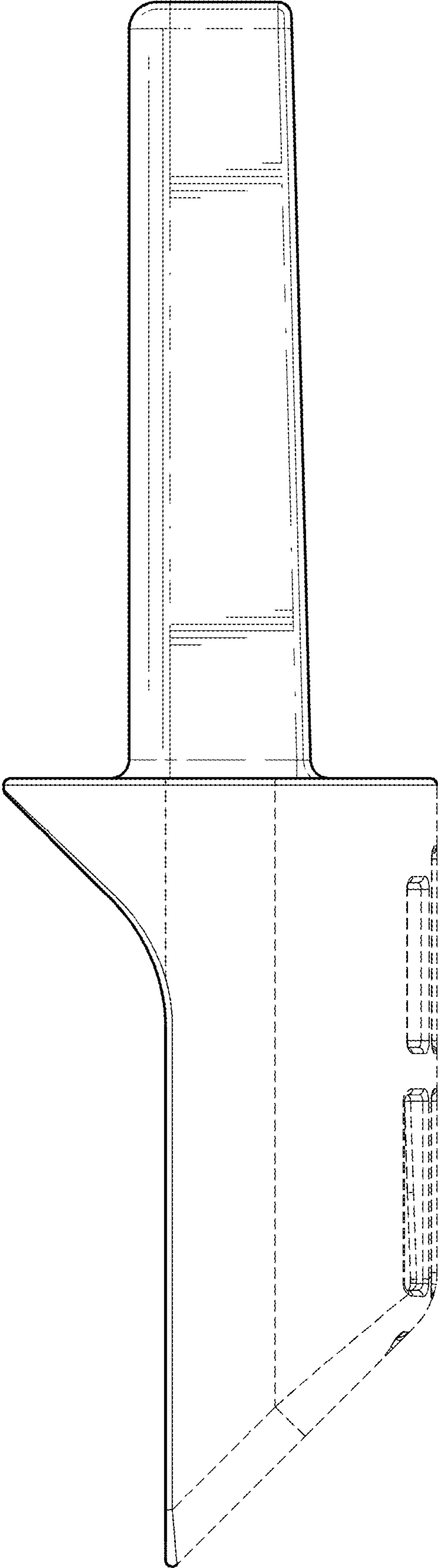


FIG. 2

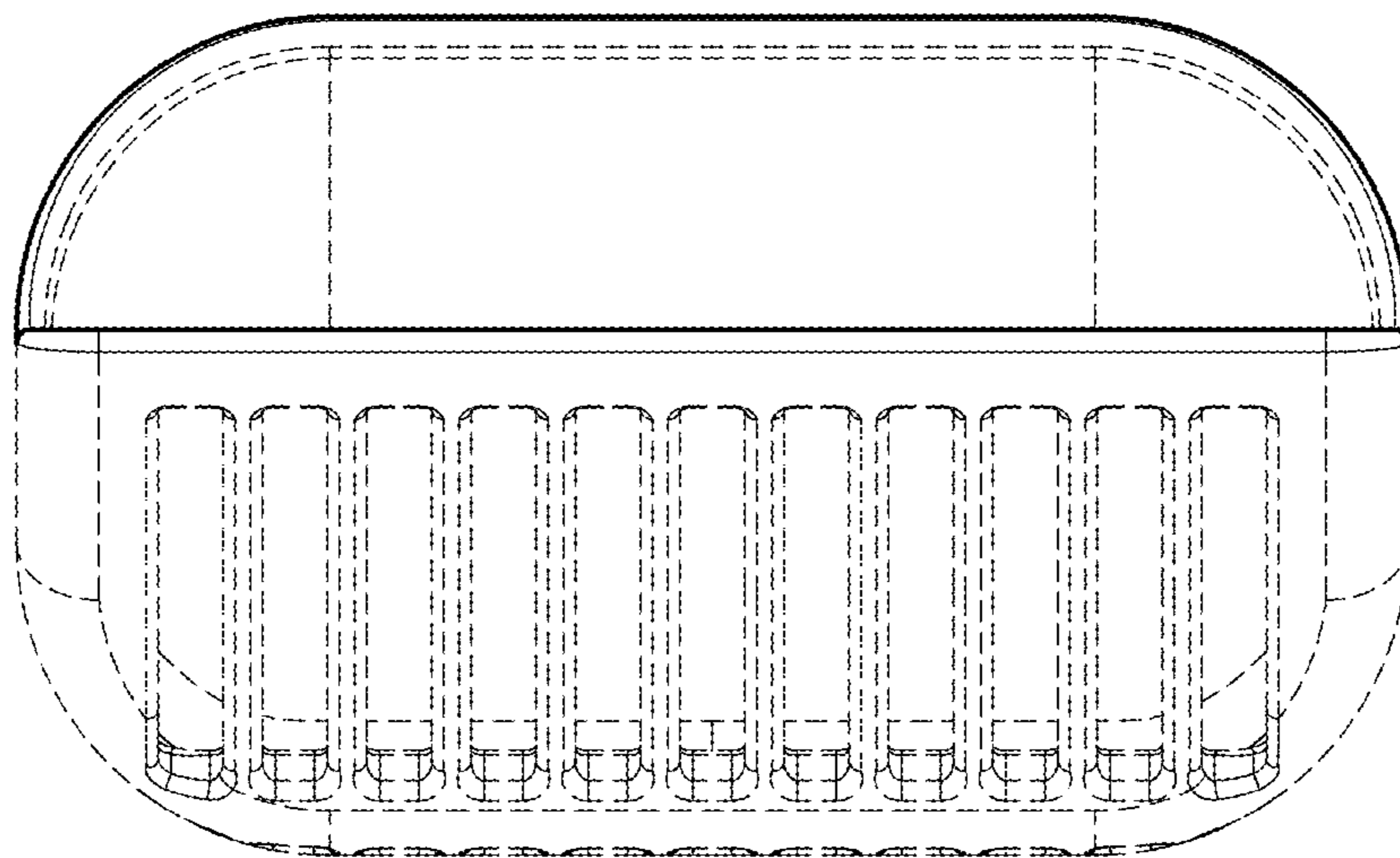


FIG. 3

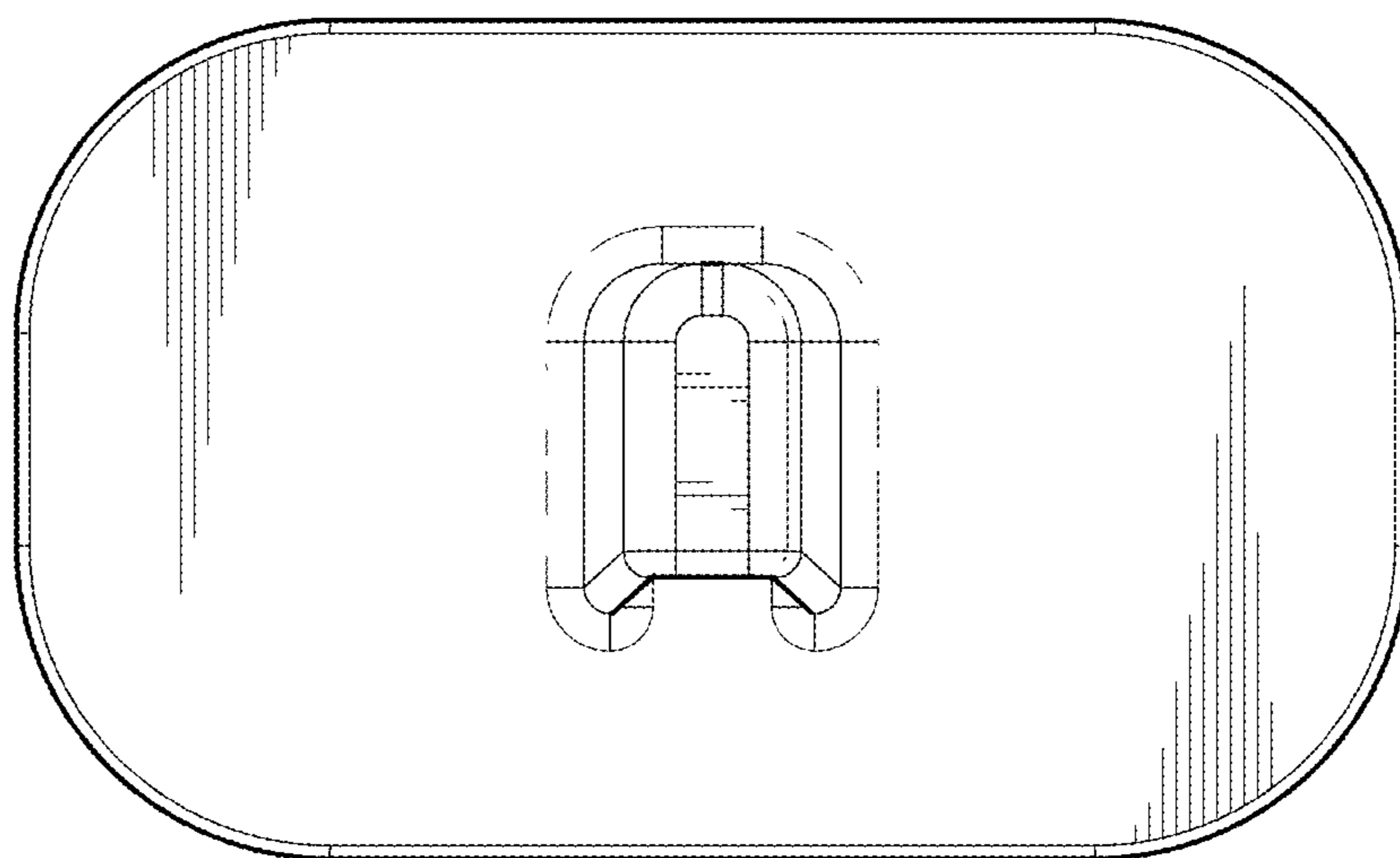


FIG. 4

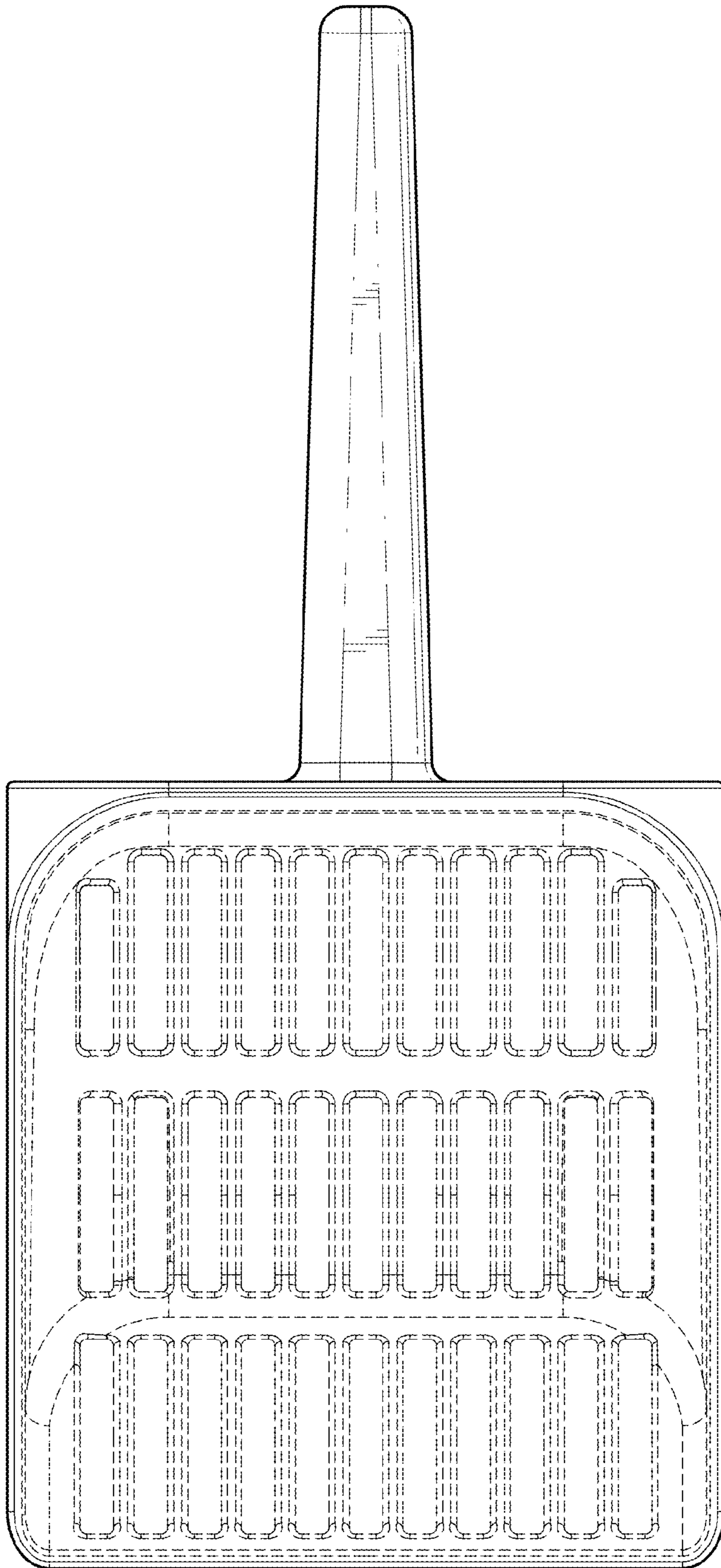


FIG. 5

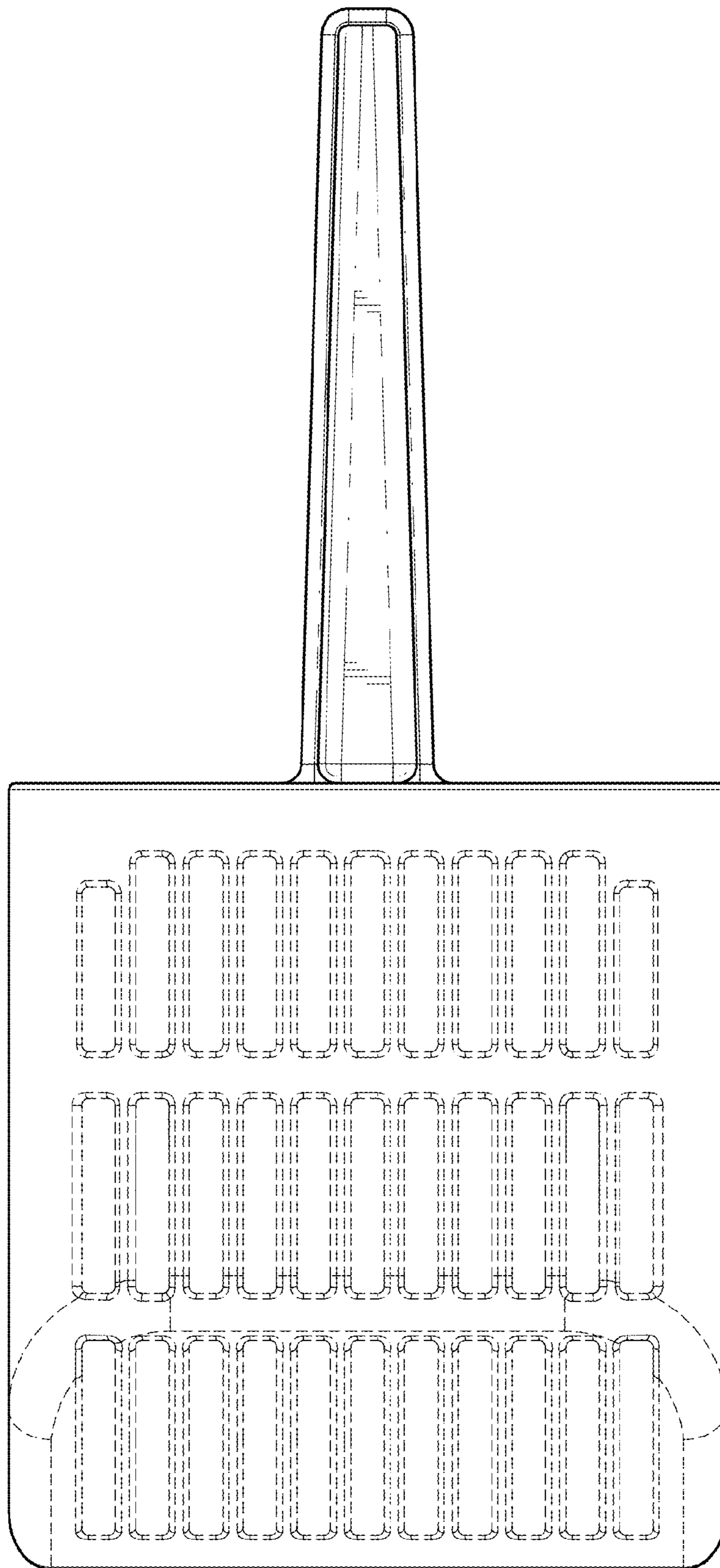


FIG. 6

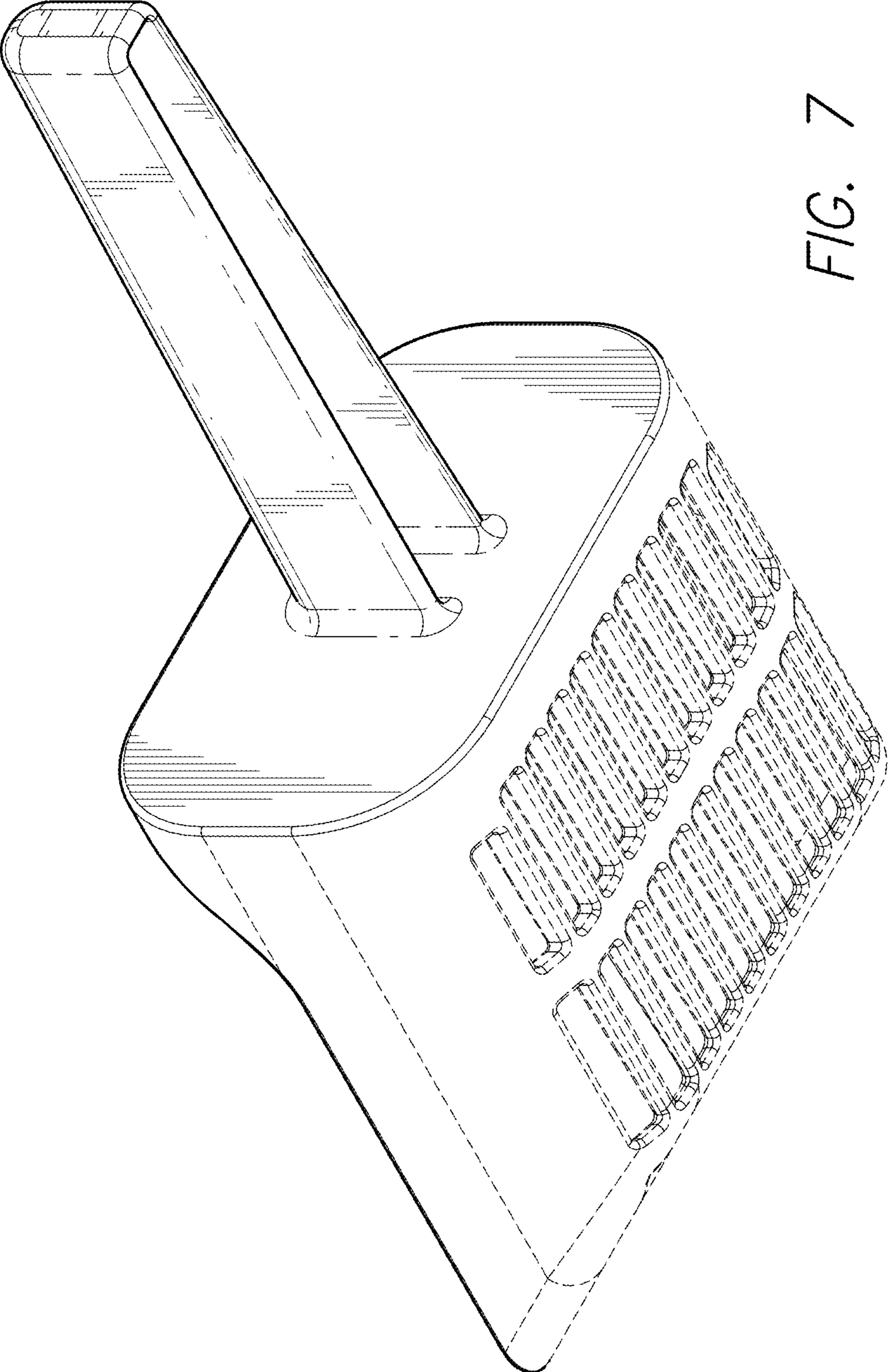


FIG. 7