



US00D749277S

(12) **United States Design Patent**  
**Avalos Sartorio et al.**

(10) **Patent No.:** **US D749,277 S**  
(45) **Date of Patent:** **\*\* Feb. 9, 2016**

(54) **SANDBOX WITH COVER FOR CATS**

(71) Applicants: **Miguel Jose Avalos Sartorio**, Morelos (MX); **Carlos Jose Avalos Sartorio**, Morelos (MX)

(72) Inventors: **Miguel Jose Avalos Sartorio**, Morelos (MX); **Carlos Jose Avalos Sartorio**, Morelos (MX)

(\*\*) Term: **14 Years**

(21) Appl. No.: **29/499,818**

(22) Filed: **Aug. 19, 2014**

(30) **Foreign Application Priority Data**

Mar. 12, 2014 (MX) ..... MX/f/2014/000844

(51) **LOC (10) Cl.** ..... **30-99**

(52) **U.S. Cl.**  
USPC ..... **D30/161**

(58) **Field of Classification Search**  
USPC ..... D30/161; 119/161, 163, 165–170  
See application file for complete search history.

(56) **References Cited**

**U.S. PATENT DOCUMENTS**

D370,316 S \* 5/1996 Merino ..... D30/161  
D527,498 S \* 8/2006 Lewis, II ..... D30/161

D528,252 S \* 9/2006 Van Skiver et al. .... D30/161  
D601,313 S \* 9/2009 Kim ..... D30/161  
D608,959 S \* 1/2010 Kim ..... D30/161  
D646,444 S \* 10/2011 Lawson et al. .... D30/161  
D651,772 S \* 1/2012 Weber ..... D30/161  
2004/0129230 A1 \* 7/2004 Northrop et al. .... 119/165  
2009/0211531 A1 \* 8/2009 Lai ..... 119/165  
2011/0297096 A1 \* 12/2011 Northrop et al. .... 119/165  
2012/0137980 A1 \* 6/2012 Veness et al. .... 119/165

\* cited by examiner

*Primary Examiner* — Cathy Anne MacCormac  
(74) *Attorney, Agent, or Firm* — Sheridan Ross PC

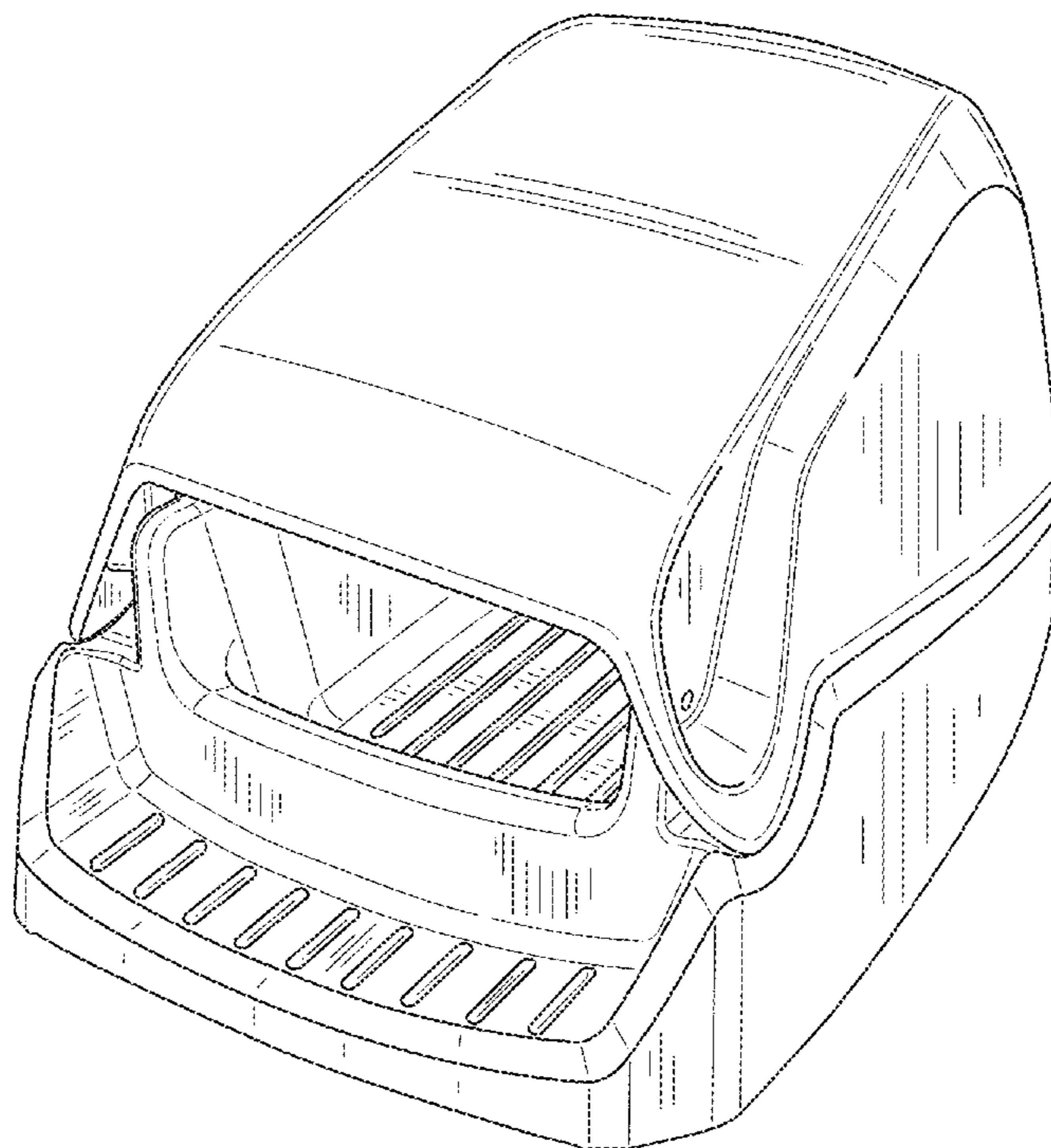
(57) **CLAIM**

The ornamental design for a sandbox with cover for cats, as shown and described.

**DESCRIPTION**

FIG. 1 is a perspective view of the sandbox with cover for cats showing our new design;  
FIG. 2 is a front elevation view of the sandbox with cover for cats;  
FIG. 3 is a rear elevation view of the sandbox with cover for cats;  
FIG. 4 is a right side view of the sandbox with cover for cats;  
FIG. 5 is a left side view of the sandbox with cover for cats;  
FIG. 6 is a top plan view of the sandbox with cover for cats;  
FIG. 7 is a bottom plan view of the sandbox with cover for cats; and,  
FIG. 8 is an exploded perspective view of the sandbox with cover for cats.

**1 Claim, 8 Drawing Sheets**



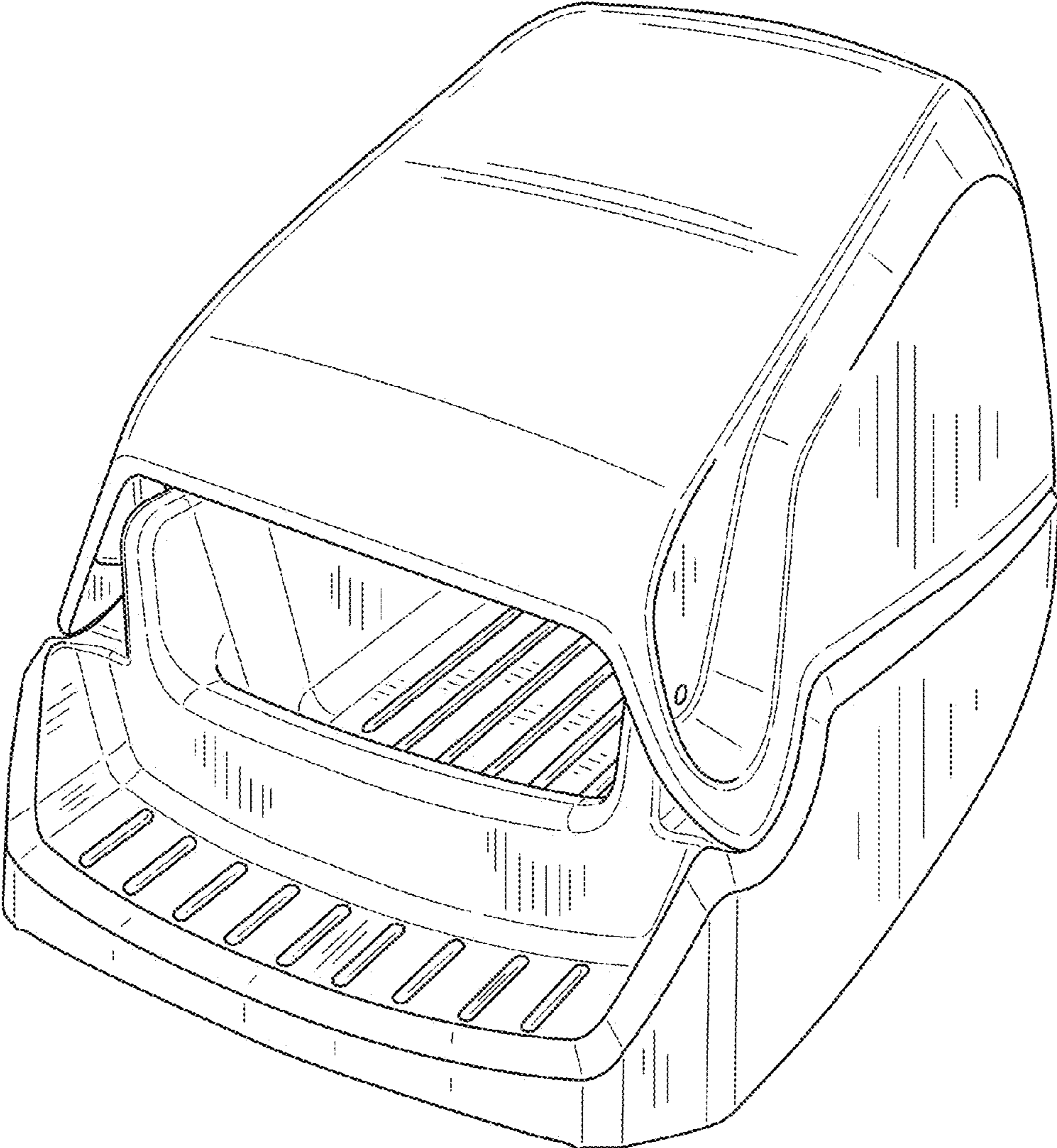


FIG.1

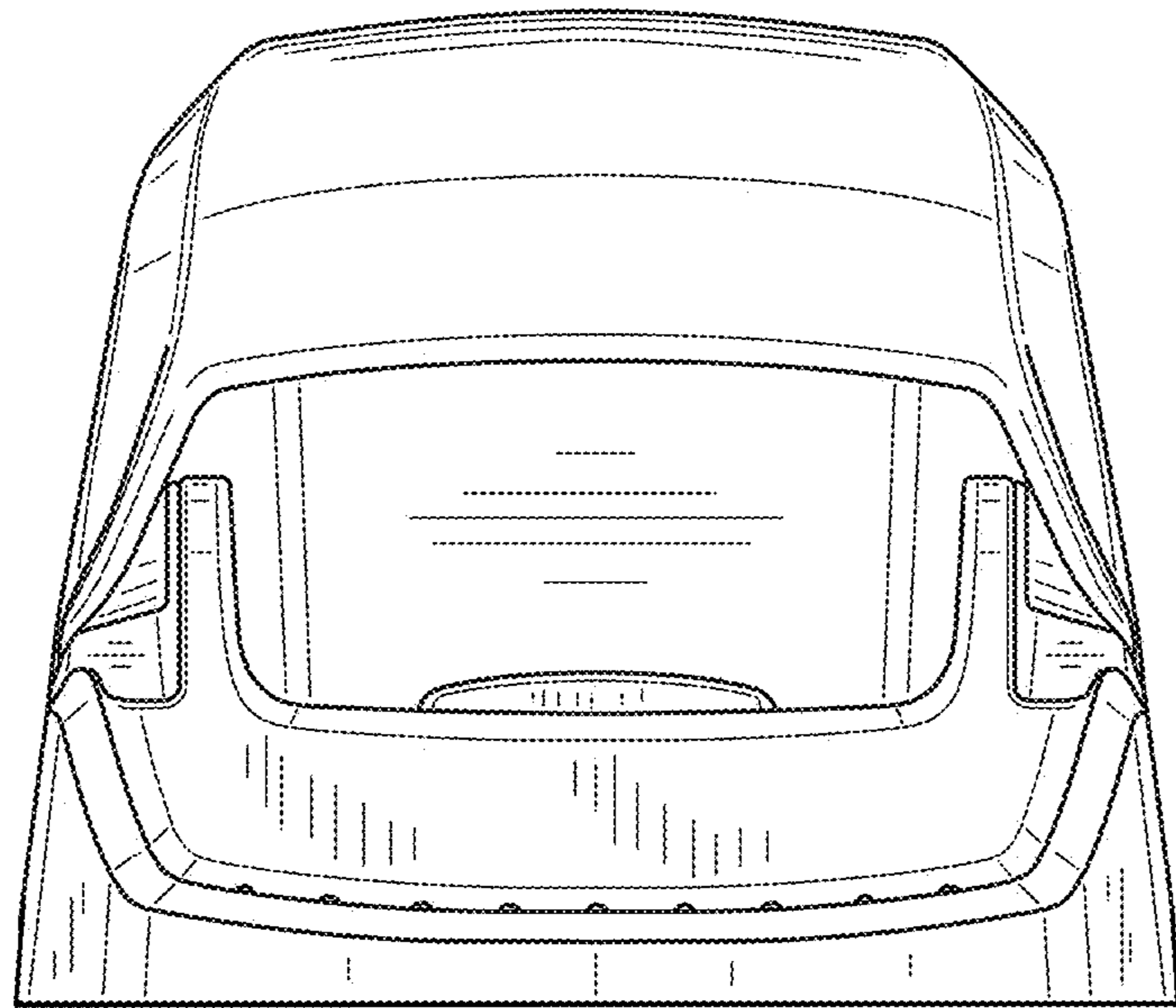


FIG.2

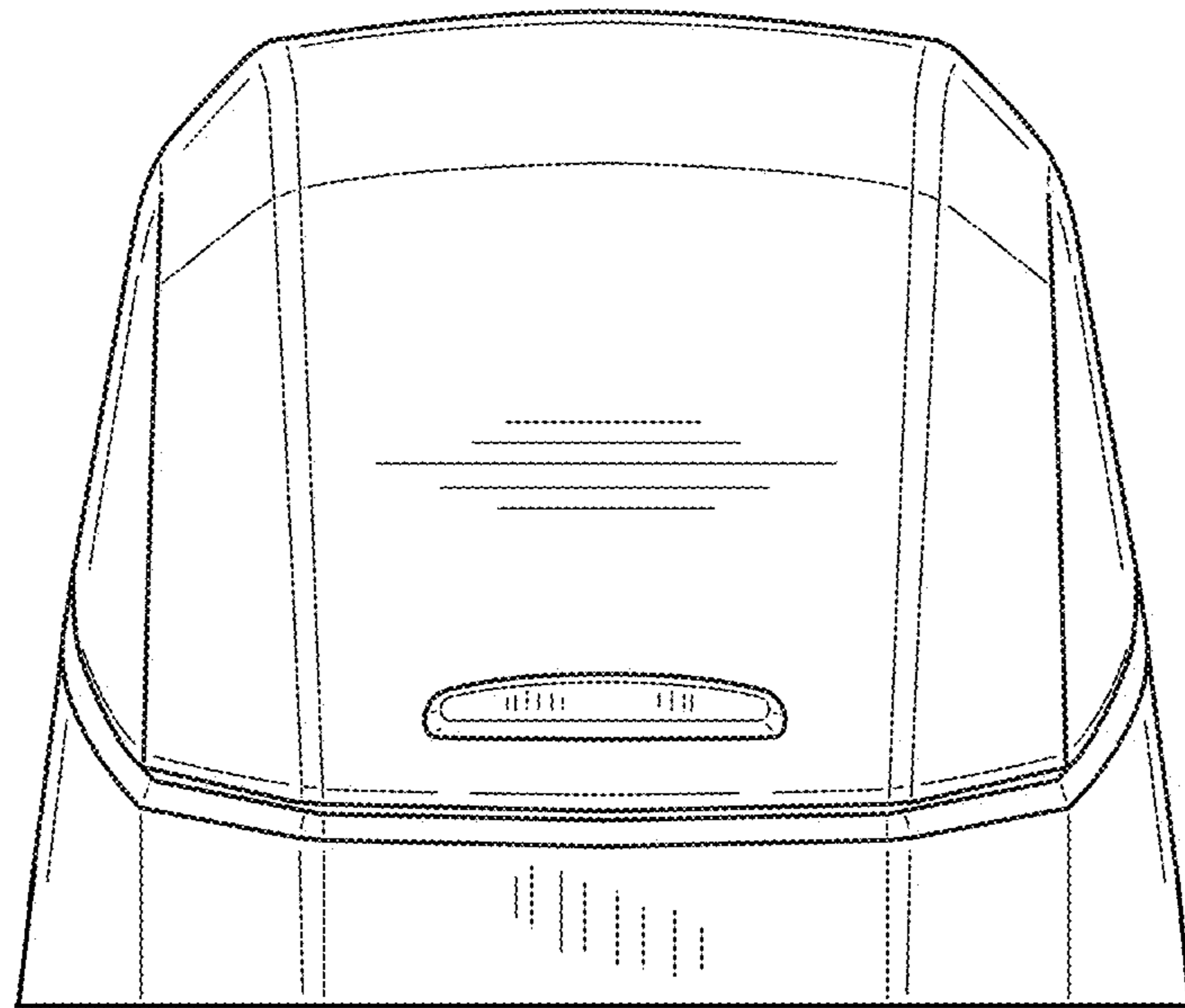


FIG.3

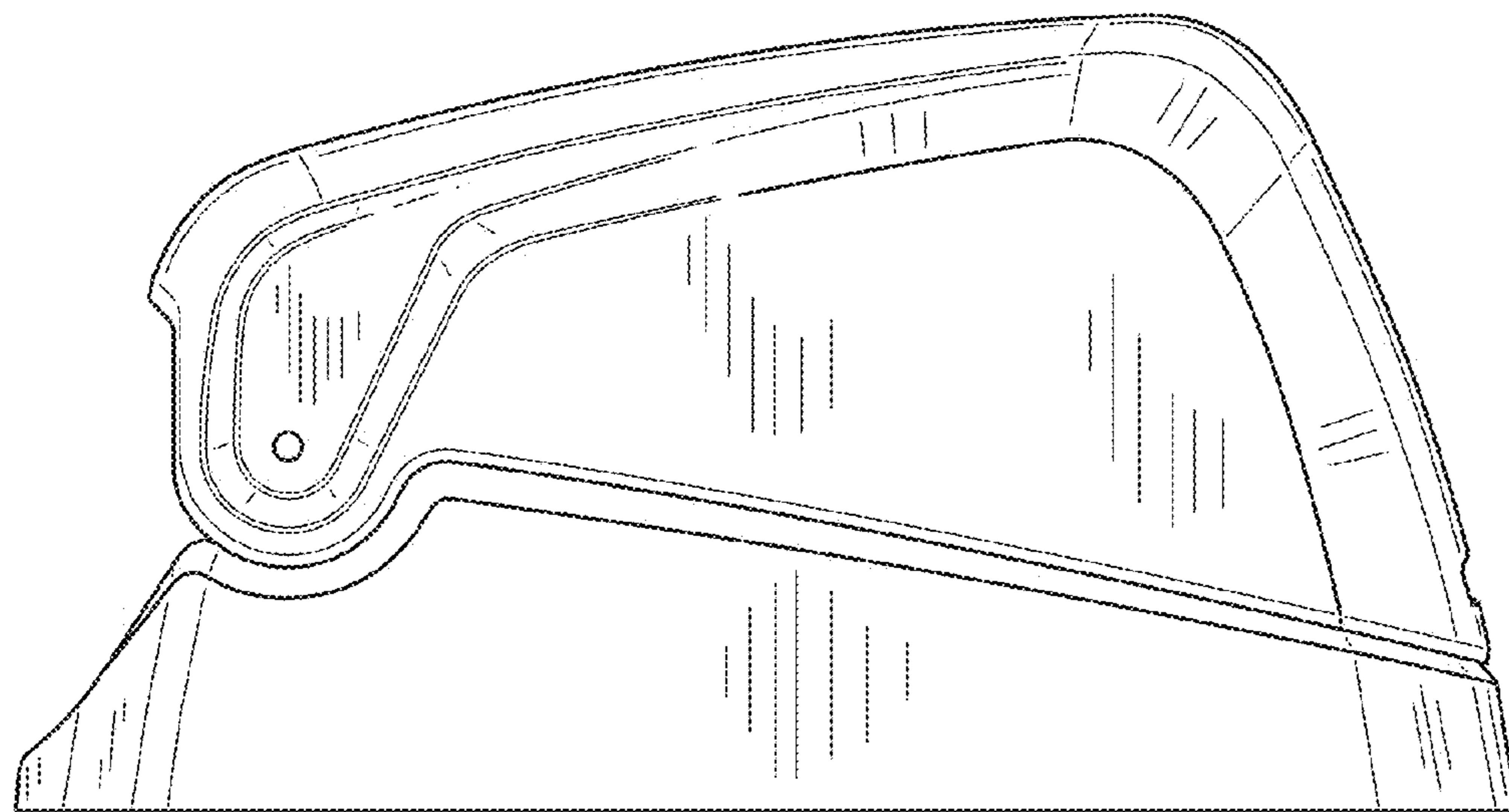


FIG.4

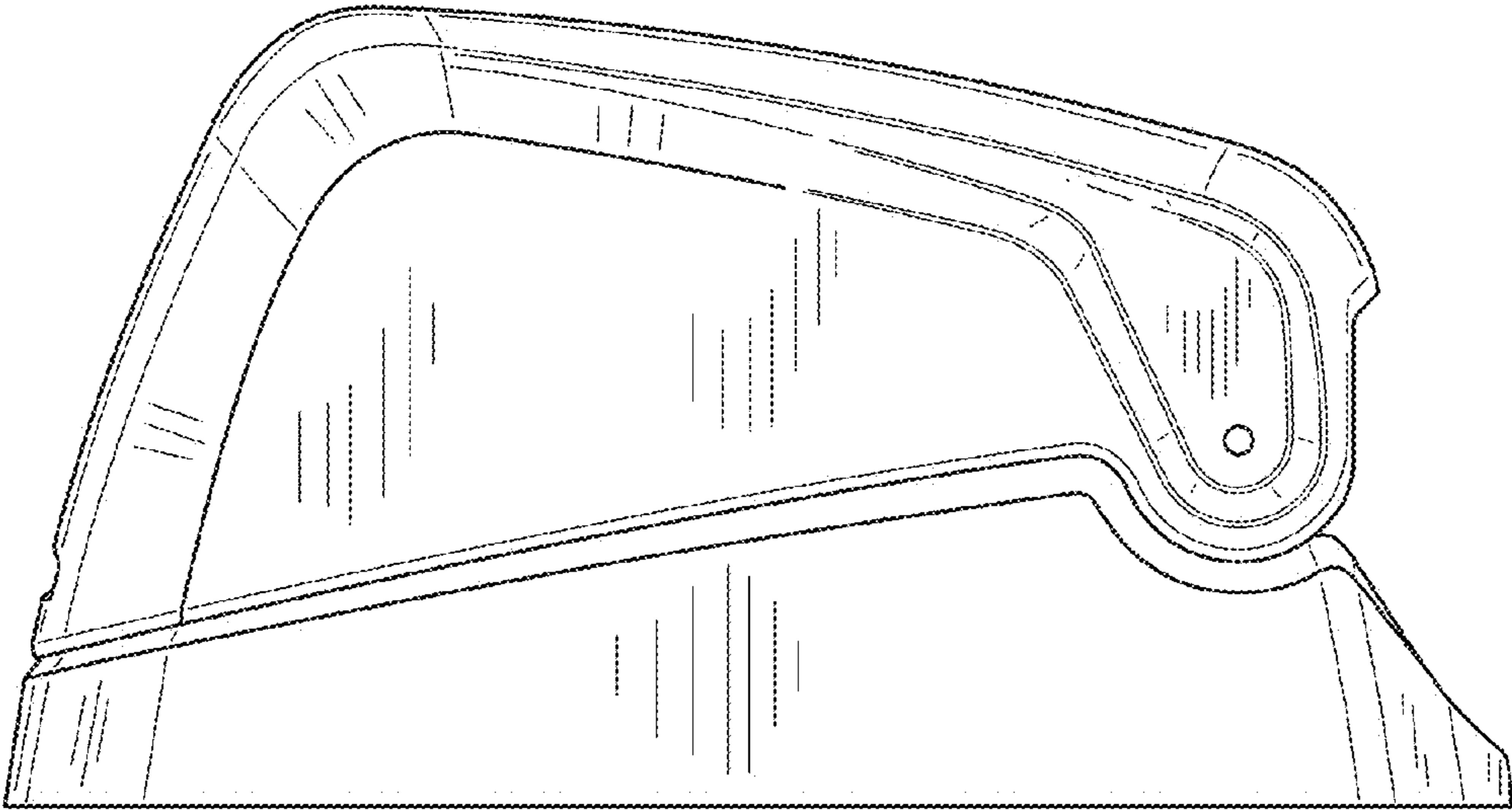


FIG.5

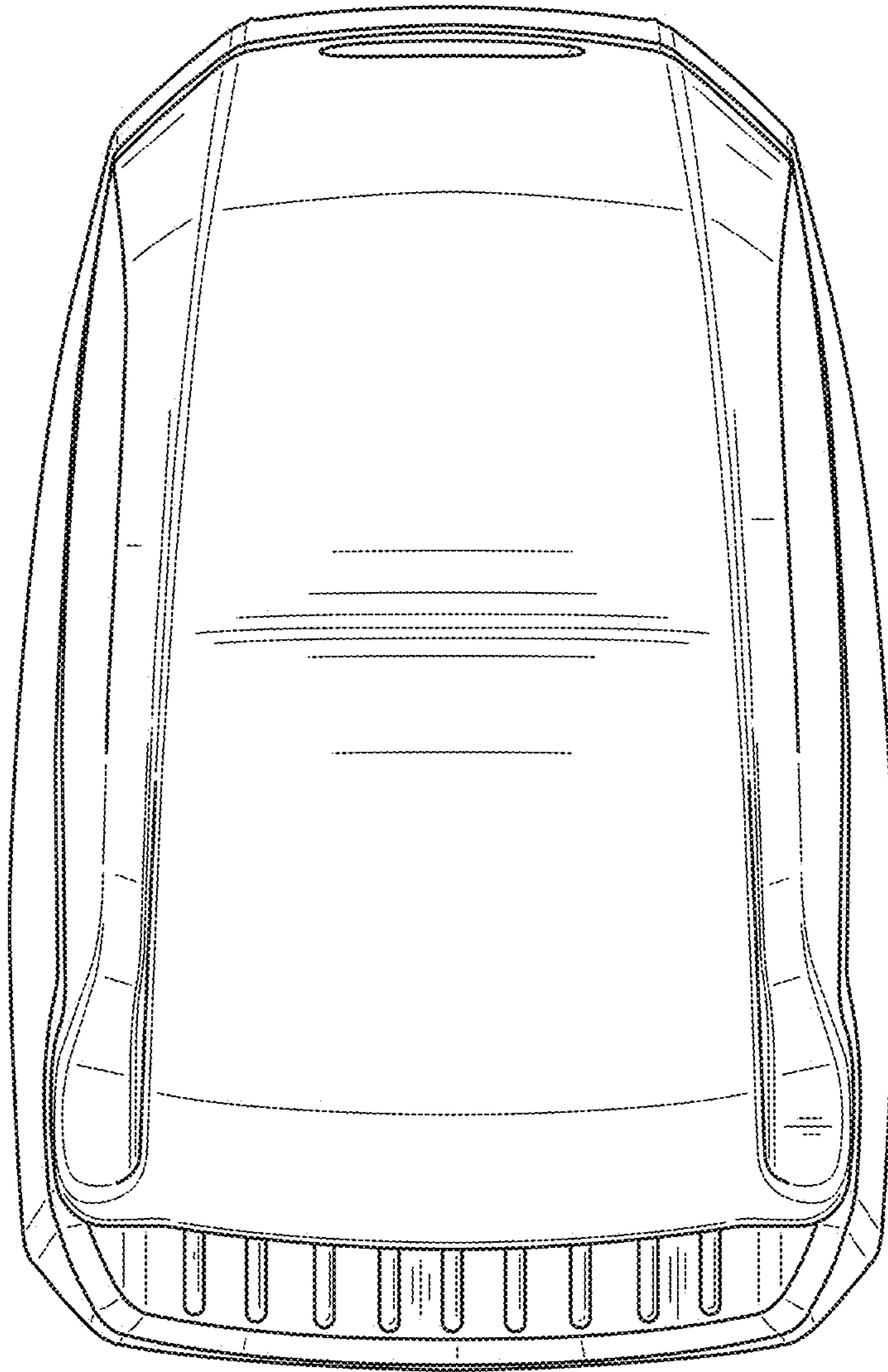


FIG.6

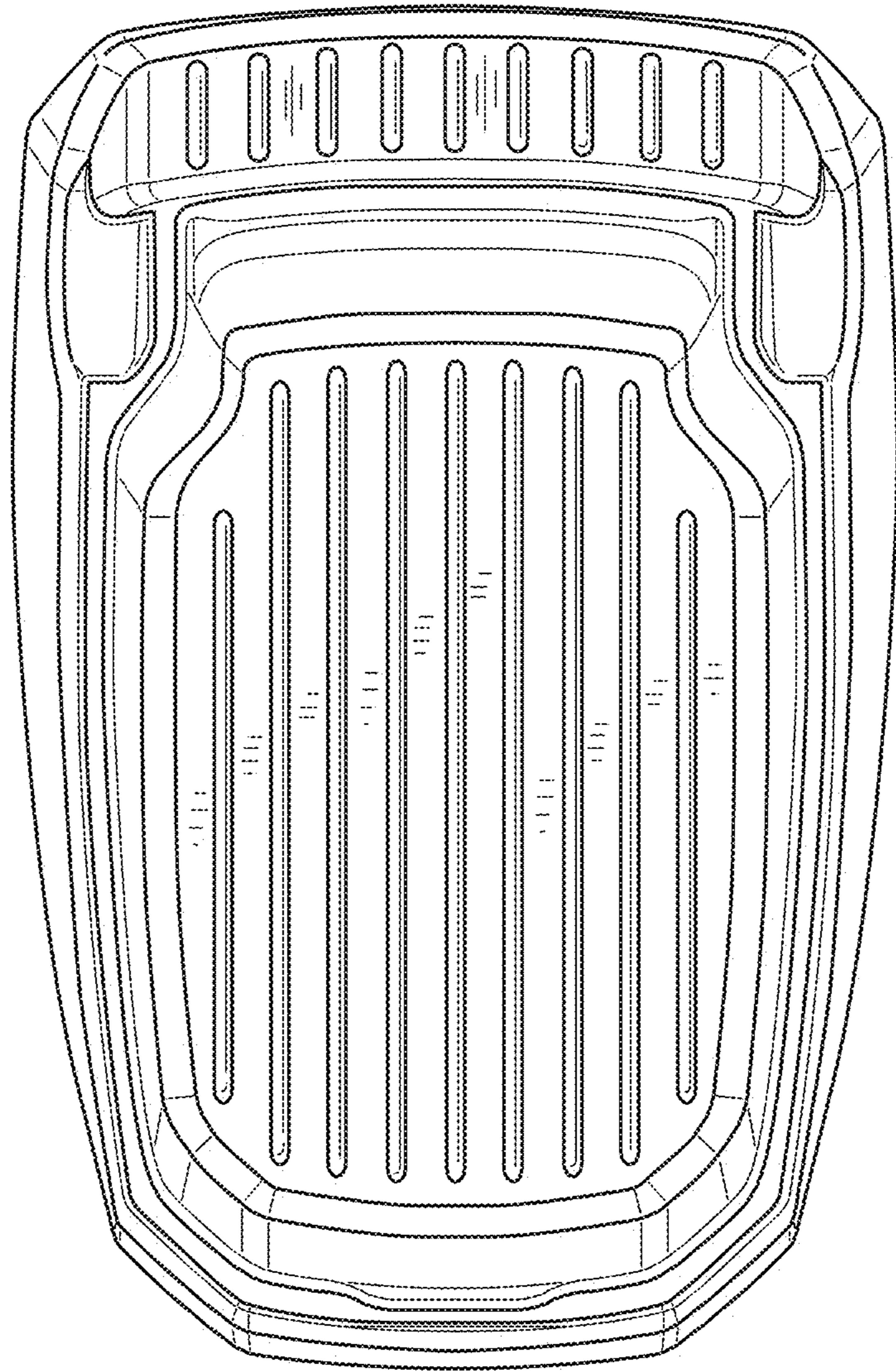


FIG. 7



