



US00D749276S

(12) **United States Design Patent**
Kryszak

(10) **Patent No.:** **US D749,276 S**

(45) **Date of Patent:** **** Feb. 9, 2016**

(54) **DOG LEASH**

(71) Applicant: **David Matthew Kryszak**, Minneapolis, MN (US)

(72) Inventor: **David Matthew Kryszak**, Minneapolis, MN (US)

(**) Term: **14 Years**

(21) Appl. No.: **29/496,876**

(22) Filed: **Jul. 18, 2014**

(51) **LOC (10) Cl.** **30-04**

(52) **U.S. Cl.**
USPC **D30/153**

(58) **Field of Classification Search**
USPC D30/144, 151, 152, 153, 199; 119/712, 119/720, 769, 792, 794, 795, 796, 797, 798
CPC ... A01K 27/00; A01K 27/003; A01K 27/004; A01K 27/005; A01K 27/006; A01K 27/008
See application file for complete search history.

(56) **References Cited**

U.S. PATENT DOCUMENTS

3,441,005	A *	4/1969	Fink	119/798
5,485,811	A *	1/1996	Jacobsen et al.	119/798
D374,518	S *	10/1996	McIntyre	D30/153
D389,613	S *	1/1998	Jacobsen	D30/153
D389,614	S *	1/1998	Jacobsen	D30/153
5,732,662	A *	3/1998	Jacobsen	119/798
5,740,764	A *	4/1998	Jacobsen	119/798
D424,762	S *	5/2000	Nasser	D30/153

D509,329	S *	9/2005	Willner et al.	D30/153
D615,253	S *	5/2010	Goodell	D30/153
D653,002	S *	1/2012	Hull	D30/153
2008/0216767	A1 *	9/2008	Wang	119/795

* cited by examiner

Primary Examiner — Martie K Holtje

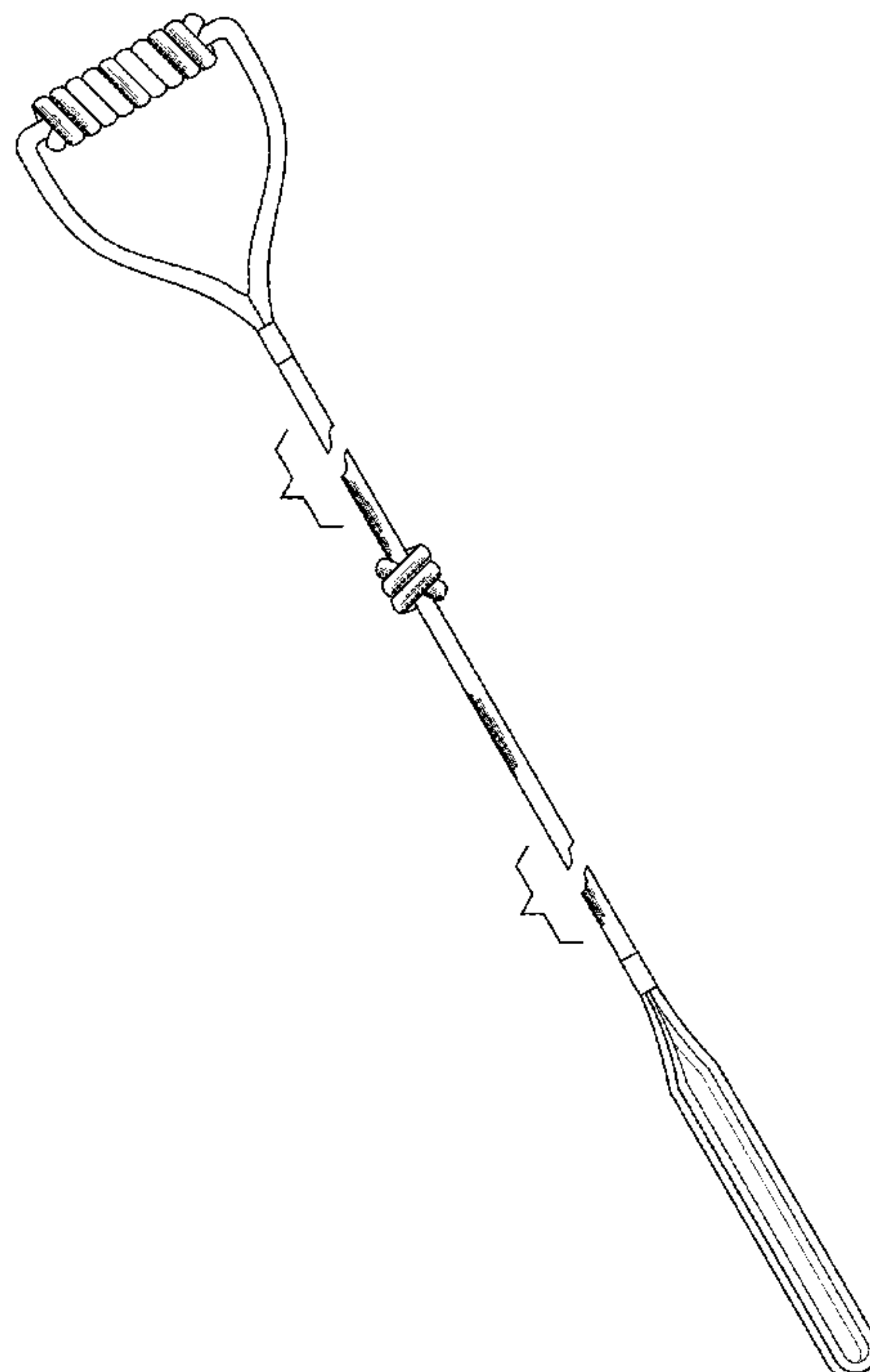
(57) **CLAIM**

The ornamental design for a dog leash, as shown and described.

DESCRIPTION

FIG. 1 is a isometric view of a dog leash showing my new design;
 FIG. 2 is a left side elevational view thereof;
 FIG. 3 is a front elevational view thereof;
 FIG. 4 is a back elevational view thereof;
 FIG. 5 is a right side elevational thereof;
 FIG. 6 is a top plan view drawn to a reduced scale with respect to FIGS. 1 through 4;
 FIG. 7 is a bottom plan view of FIG. 6;
 FIG. 8 is an enlarged cross-sectional view thereof taken in the direction of arrows 8-8 in FIG. 3; and,
 FIG. 9 is a fragmentary perspective view shown in use.
 The broken away symbols in the drawings indicate the appearance of any portion of the dog leash between the break lines forms no part of the claimed design.
 The portion of the dog and collar in FIG. 9 have been shown for the purpose of illustrating environment that forms no part of the claimed design.

1 Claim, 3 Drawing Sheets



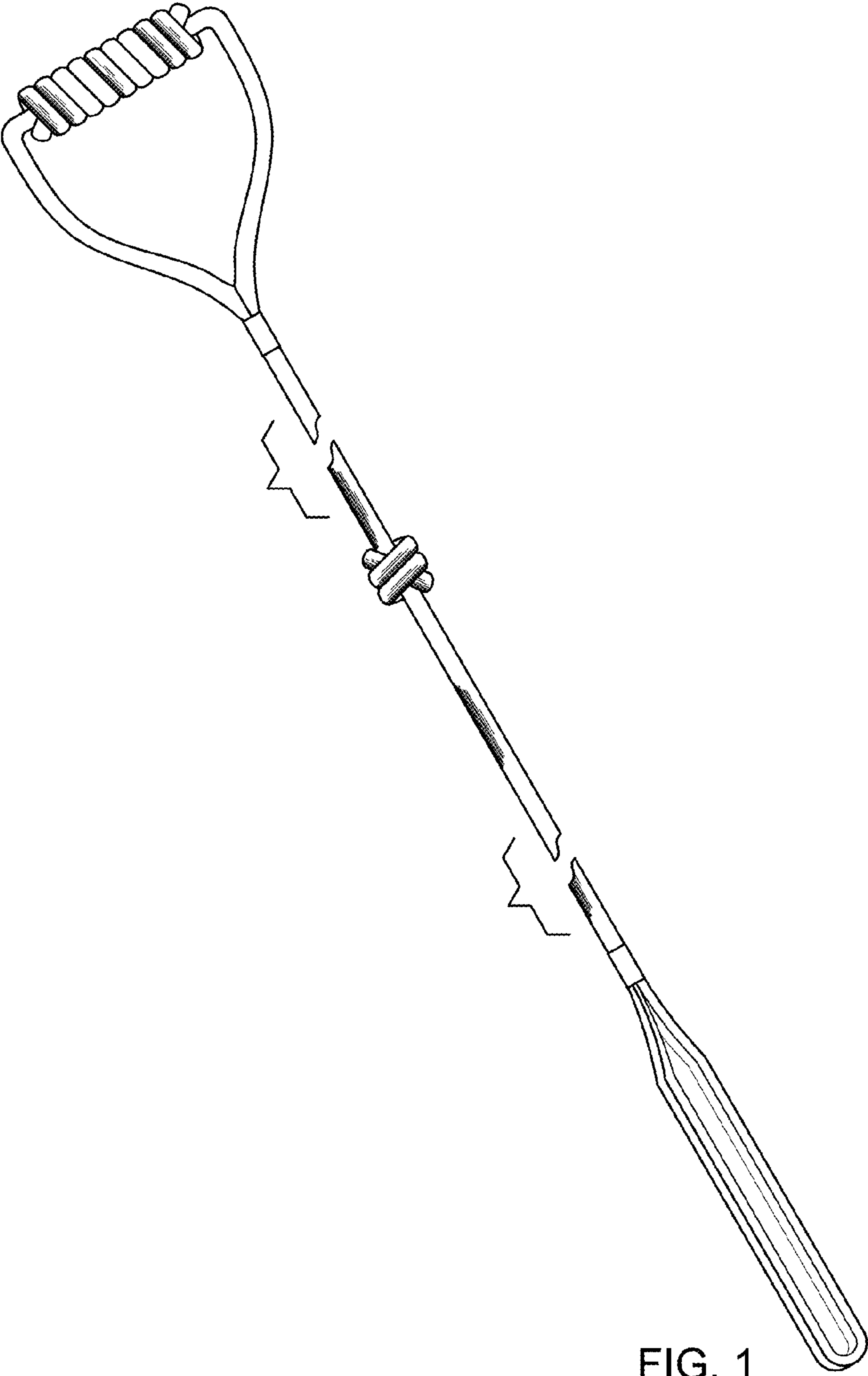


FIG. 1

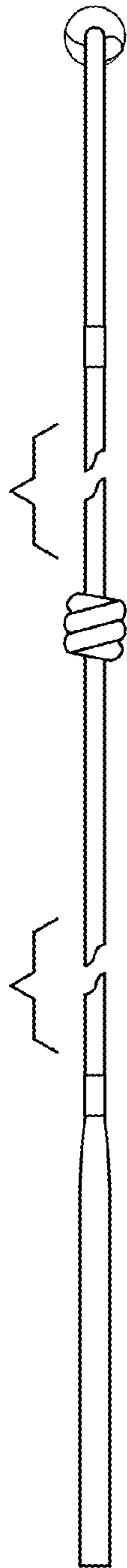


FIG. 2

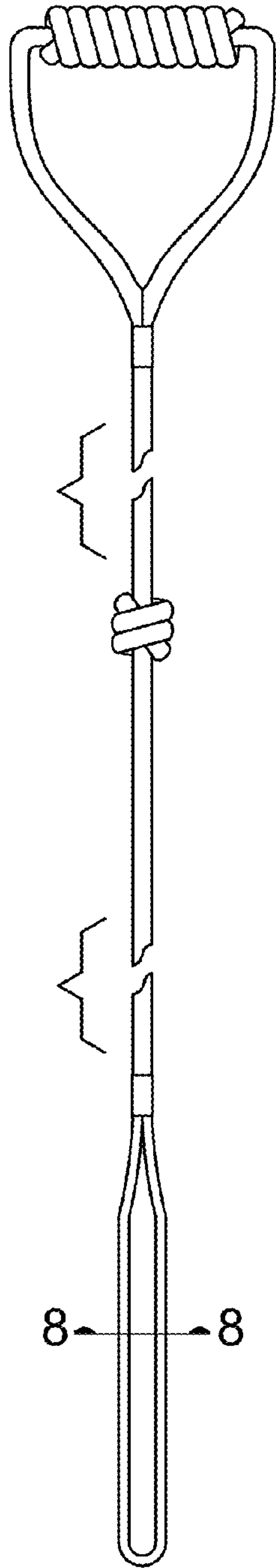


FIG. 3

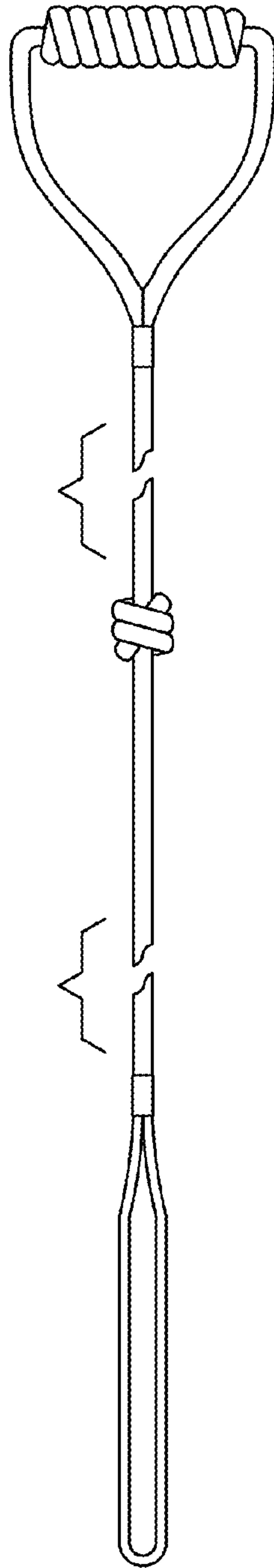


FIG. 4

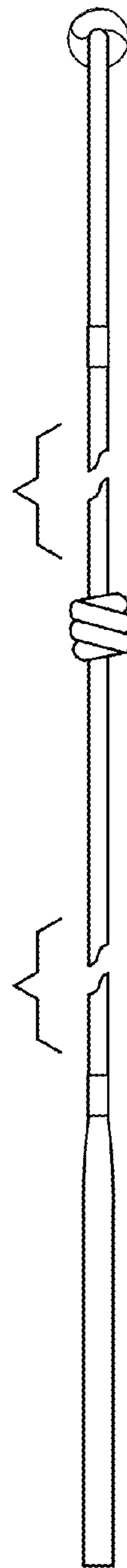


FIG. 5



FIG. 6

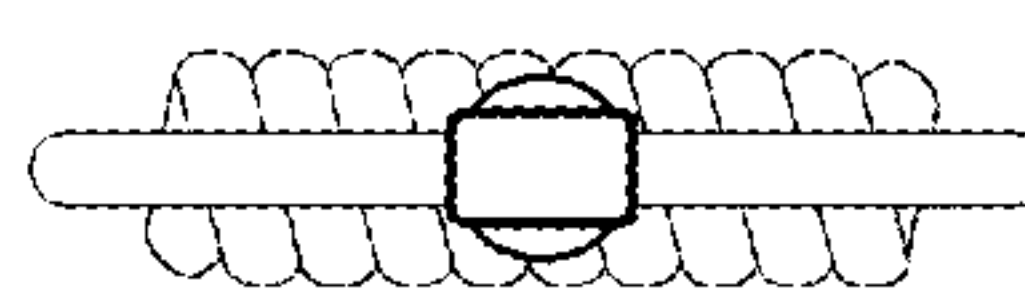


FIG. 7

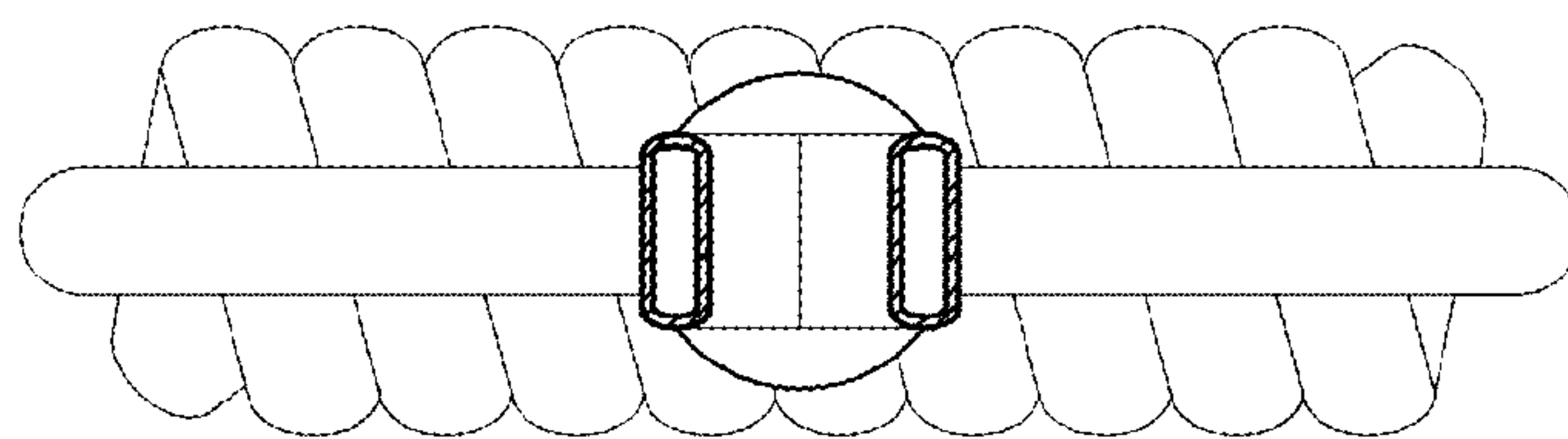


FIG. 8

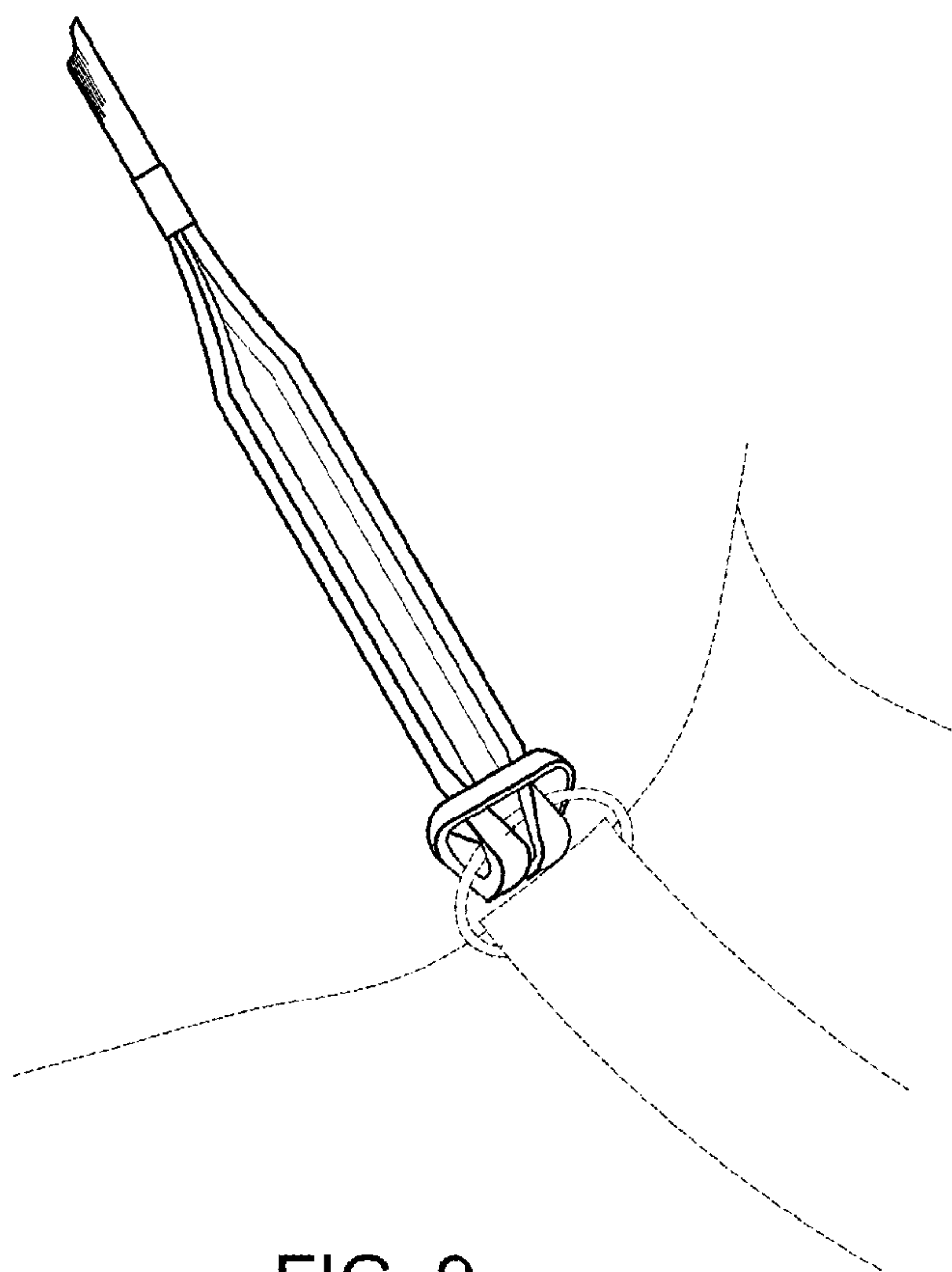


FIG. 9