



US00D749275S

(12) **United States Design Patent**
Perkins et al.

(10) **Patent No.:** **US D749,275 S**
(45) **Date of Patent:** **** Feb. 9, 2016**

(54) **PET GROOMING RESTRAINT AND TRAINING TOOL**

(71) Applicants: **Noralee Perkins**, Jacksonville, AR (US);
Louis Hubbard, Longview, TX (US)

(72) Inventors: **Noralee Perkins**, Jacksonville, AR (US);
Louis Hubbard, Longview, TX (US)

(**) Term: **14 Years**

(21) Appl. No.: **29/508,066**

(22) Filed: **Nov. 3, 2014**

(51) **LOC (10) Cl.** **30-99**

(52) **U.S. Cl.**
USPC **D30/151**; D30/158

(58) **Field of Classification Search**
USPC D30/144, 145, 151, 152, 153, 158, 199;
D24/190; D2/718, 719, 860, 861, 864;
119/174, 497, 712, 714, 725, 814, 815,
119/816, 821, 836, 850, 855, 856, 857, 863,
119/864, 865; 383/41, 42, 61.3, 78, 84;
602/62, 78; 54/80.1, 80.2, 80.3, 80.4,
54/80.5; 2/48, 69.5, 70
CPC A01K 13/001; A01K 15/04
See application file for complete search history.

(56) **References Cited**

U.S. PATENT DOCUMENTS

- 211,726 A * 1/1879 Gilbert A01K 27/001
119/855
- 703,999 A * 7/1902 Chepaw et al. A01K 13/006
119/815
- 2,491,951 A * 12/1949 Buettner A01K 13/001
119/676
- 2,804,845 A * 9/1957 Plumley A61D 3/00
119/756
- 3,120,836 A * 2/1964 Brauning A01K 13/00
119/756
- D201,010 S * 5/1965 Koon et al. D30/151

- 3,250,252 A * 5/1966 Leopold A01K 1/0613
119/756
- 3,524,434 A * 8/1970 Finley A01K 13/00
119/756

(Continued)

OTHER PUBLICATIONS

“Master Equipment Folable Grooming Arm”. Found online Nov. 17, 2015 at amazon.com. Page dated Jul. 20, 2012. Retrieved from http://www.amazon.com/Master-Equipment-Foldable-Grooming-Arm/dp/B001VP8COS/ref=cm_cr_pr_product_top?ie=UTF8.*

(Continued)

Primary Examiner — Robert M Spear
Assistant Examiner — Kendra L Hamilton
(74) *Attorney, Agent, or Firm* — Rashauna Norment

(57) **CLAIM**

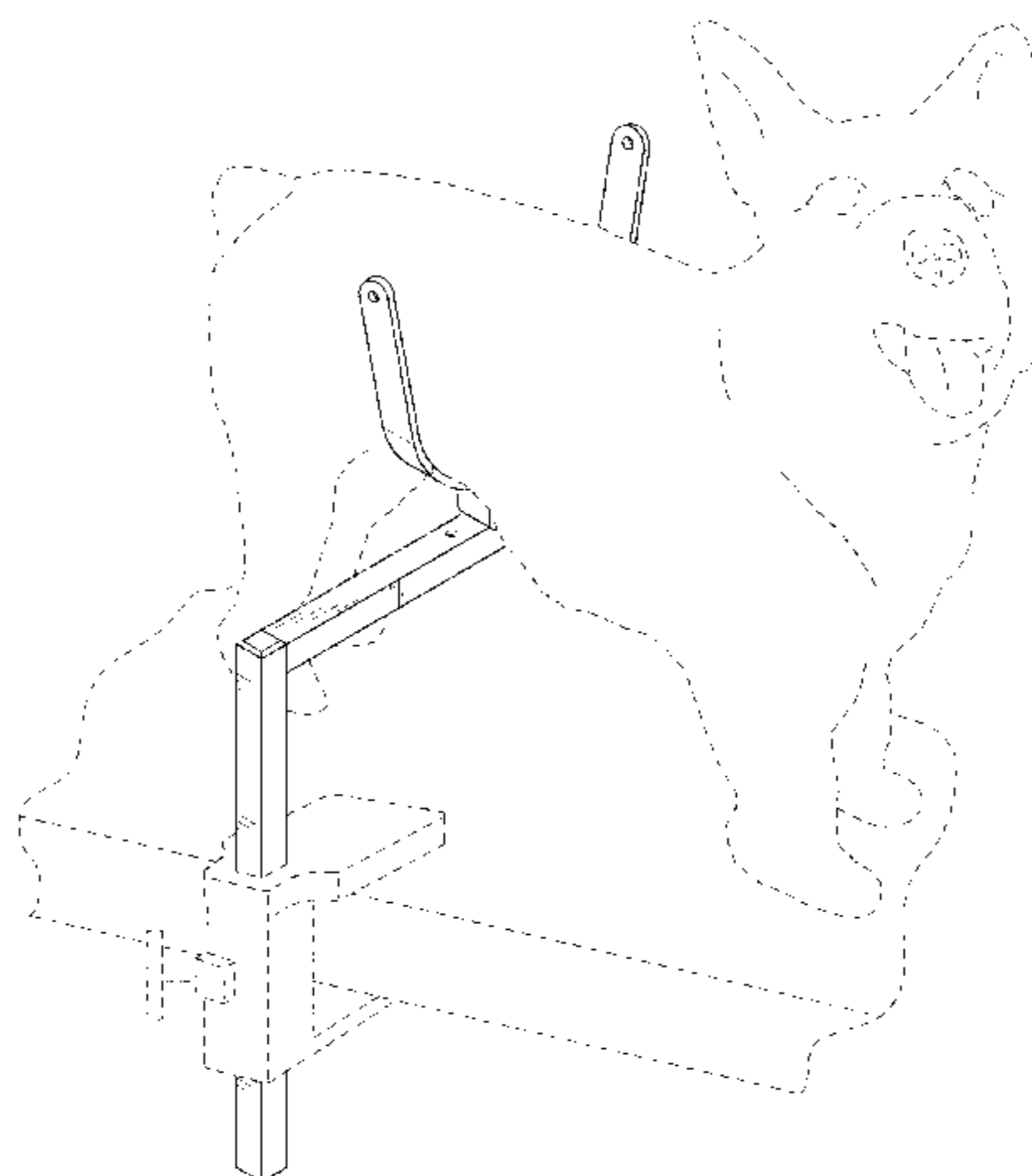
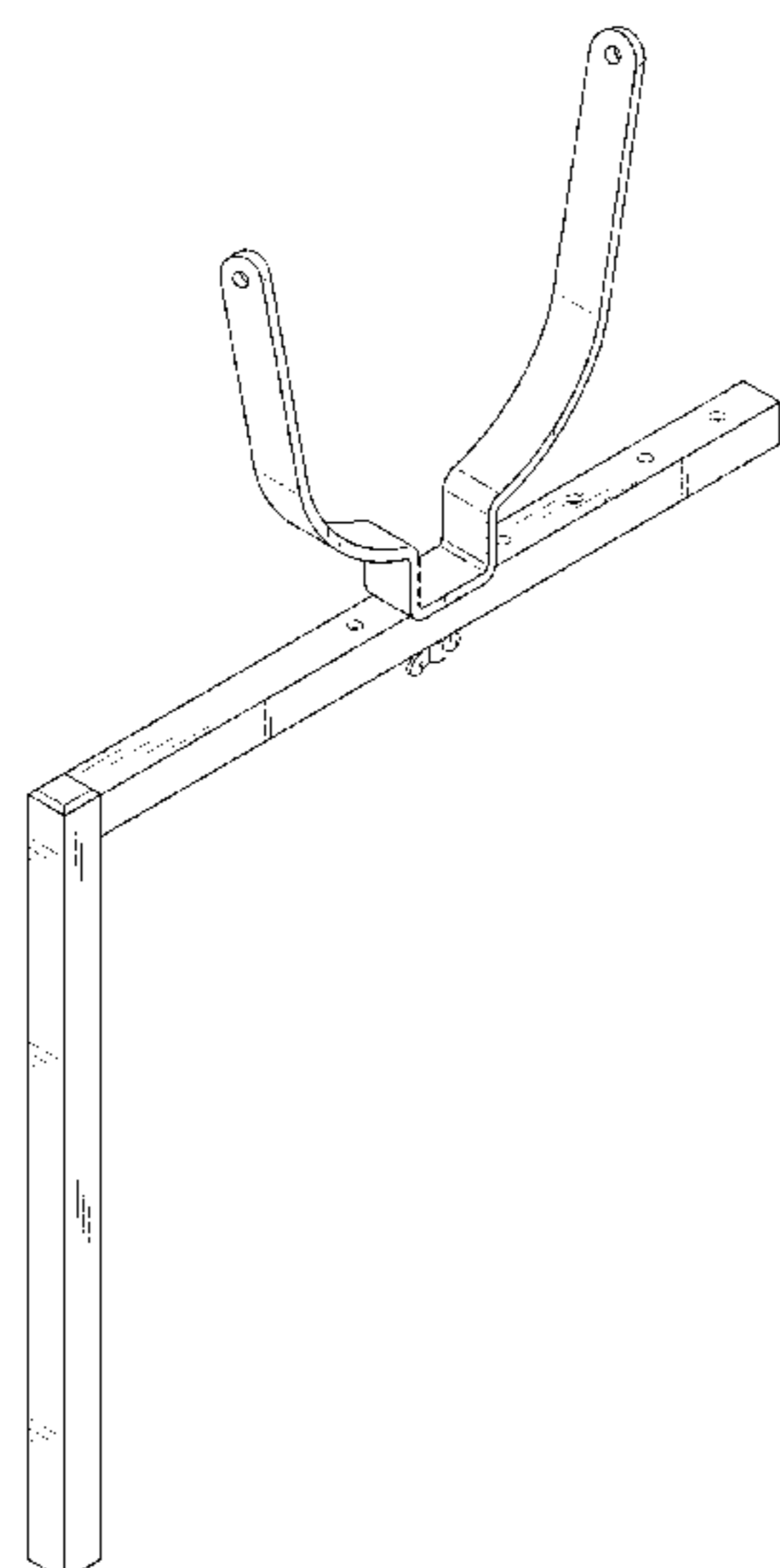
The ornamental design for a pet grooming restraint and training tool, as shown and described.

DESCRIPTION

FIG. 1 is a perspective view of a pet grooming restraint and training tool, showing our new design;
FIG. 2 is a perspective view of FIG. 1, showing that the U-bar can be detached from the L-bar;
FIG. 3 is a perspective view of FIG. 1 thereof, shown in use;
FIG. 4 is a top plan view of FIG. 1 thereof;
FIG. 5 is a bottom plan view of FIG. 1 thereof, showing that the U-bar can be detached from the L-bar;
FIG. 6 is a front elevation view of FIG. 1 thereof;
FIG. 7 is a rear elevation view of FIG. 1 thereof; and,
FIG. 8 is a left side elevation view of FIG. 1 thereof, with the right side elevation view being a mirror image of the left side elevation view.

The broken lines showing a dog, a table, and a clamp represent unclaimed subject matter and form no part of the claimed design.

1 Claim, 6 Drawing Sheets



(56)

References Cited

U.S. PATENT DOCUMENTS

3,896,769 A * 7/1975 McGehee A01K 13/00
119/786
D245,796 S * 9/1977 Kaplan D30/151
5,960,746 A * 10/1999 Salts A01K 1/0613
119/756
D697,677 S * 1/2014 Ritchey D30/151
2009/0071418 A1 * 3/2009 Simons A01K 1/0613
119/793

OTHER PUBLICATIONS

“Table Works Grooming Arms”. Found online Nov. 17, 2015 at
tableworksusa.com. Page dated Jul. 18, 2013. Retrieved from [http://
web.archive.org/web/20130718143458/http://www.tableworksusa.
com/](http://web.archive.org/web/20130718143458/http://www.tableworksusa.com/).*

* cited by examiner

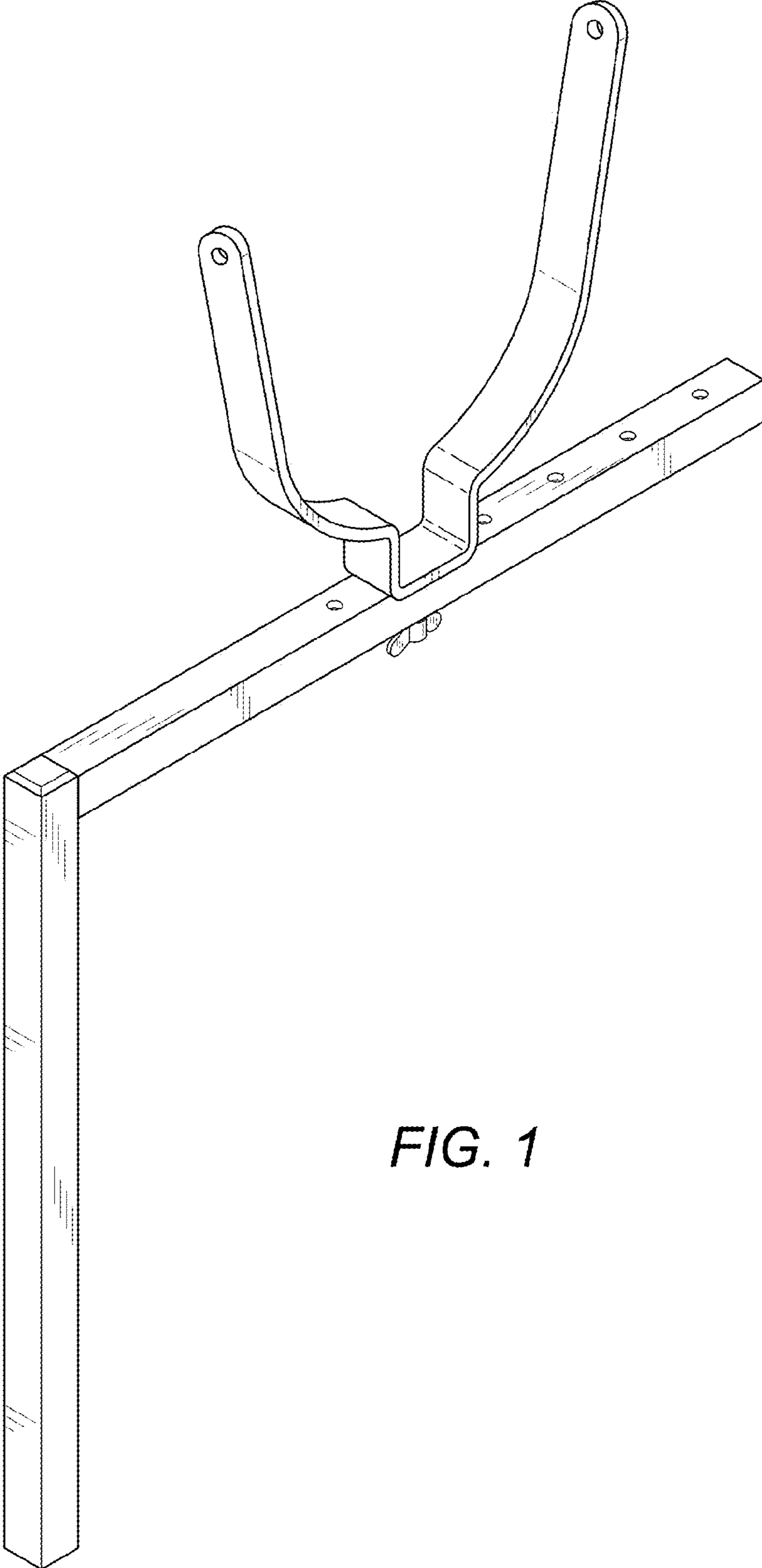


FIG. 1

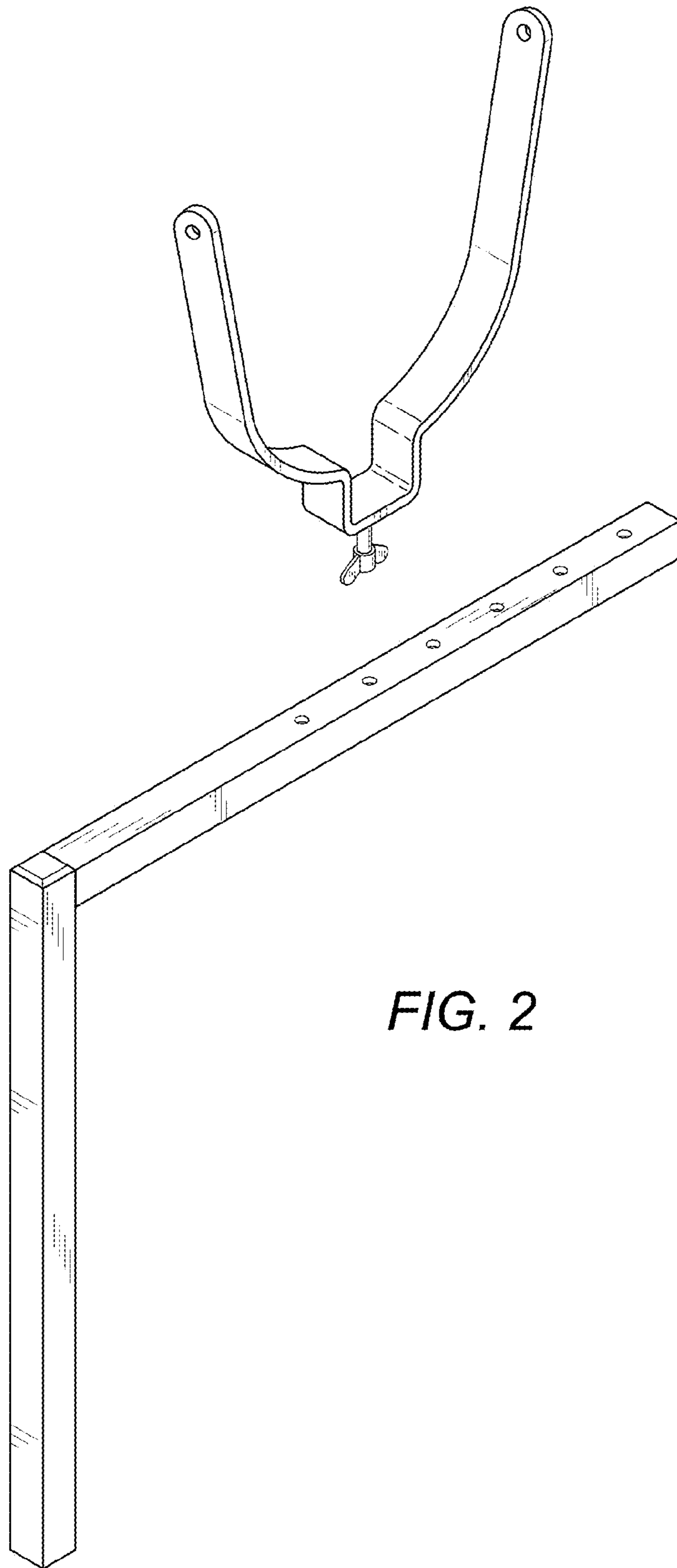


FIG. 2

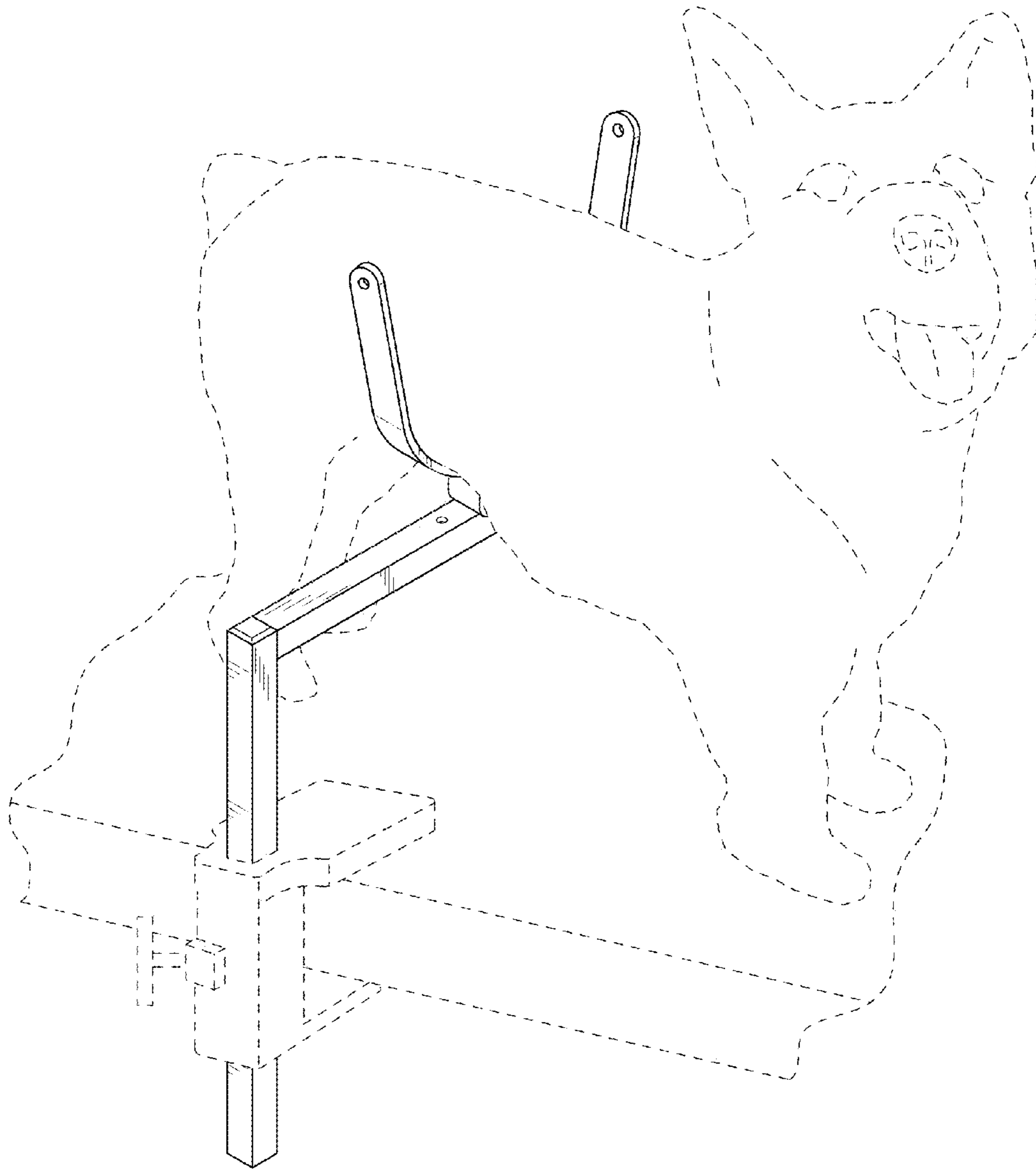


FIG. 3

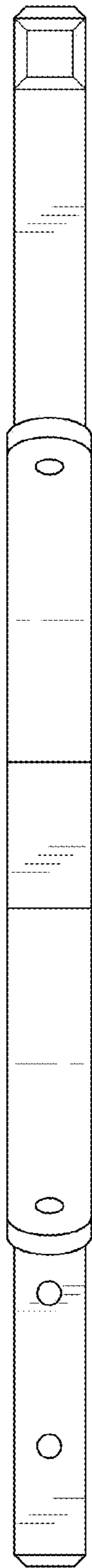


FIG. 4

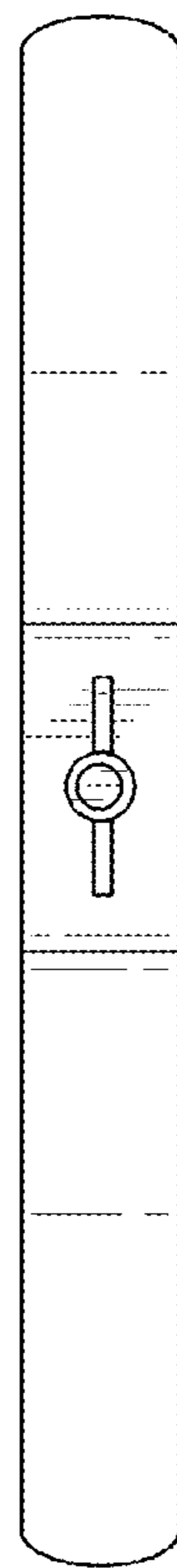


FIG. 5





FIG. 6



FIG. 7

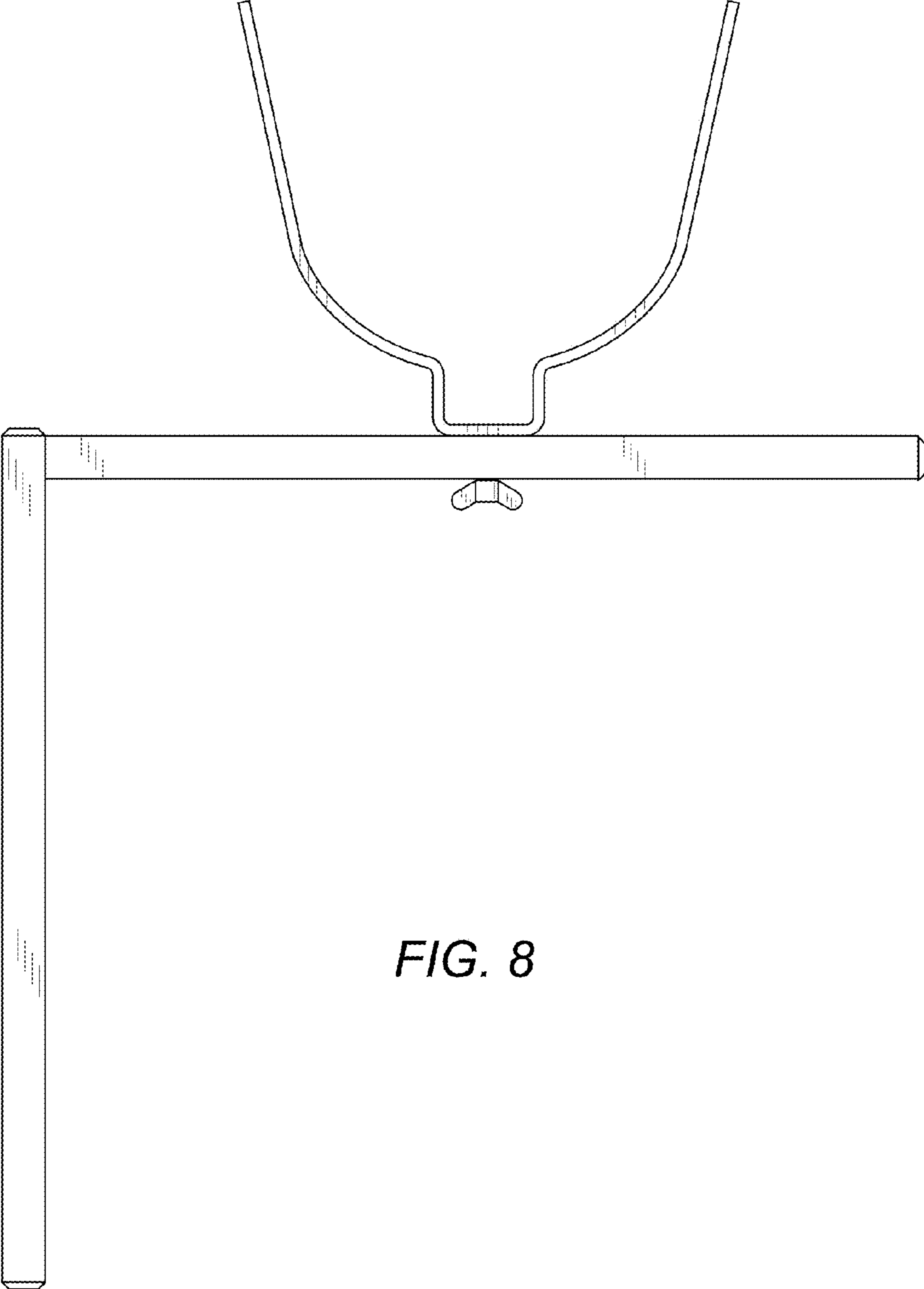


FIG. 8