



US00D749268S

(12) **United States Design Patent**
Wan

(10) **Patent No.:** **US D749,268 S**
(45) **Date of Patent:** **** Feb. 9, 2016**

- (54) **SHAVER**
- (71) Applicant: **ANDIS COMPANY**, Sturtevant, WI
(US)
- (72) Inventor: **Yiu Kwong Wan**, Kowloon (HK)
- (73) Assignee: **ANDIS COMPANY**, Sturtevant, WI
(US)
- (**) Term: **14 Years**
- (21) Appl. No.: **29/504,315**
- (22) Filed: **Oct. 3, 2014**
- (51) **LOC (10) Cl.** **28-03**
- (52) **U.S. Cl.**
USPC **D28/51; D28/54**
- (58) **Field of Classification Search**
USPC D28/44, 49-54
CPC B26B 19/00-19/107; B26B 19/12-19/22;
B26B 19/28-19/36; B26B 19/3806-19/3826;
B26B 19/384; B26B 19/3846; B26B
19/3853-19/3866; B26B 19/3886; B26B
19/42; B26B 19/38
See application file for complete search history.

D536,134	S	*	1/2007	Lee	D28/50
D537,206	S	*	2/2007	Ullmann	D28/49
D601,755	S	*	10/2009	Prat-Pfister	D28/50
D675,778	S	*	2/2013	Vetu	D28/50
D696,817	S	*	12/2013	Prat-Pfister	D28/50
D720,886	S	*	1/2015	Prat-Pfister	D28/50
2007/0066979	A1	*	3/2007	Beytollahi	A45D 26/0028 606/133
2009/0119928	A1	*	5/2009	Lee	B26B 19/06 30/225

* cited by examiner

Primary Examiner — Jennifer Rivard

(74) *Attorney, Agent, or Firm* — Michael Best & Friedrich LLP

(57) **CLAIM**

I claim the ornamental design for a shaver, as shown and described.

DESCRIPTION

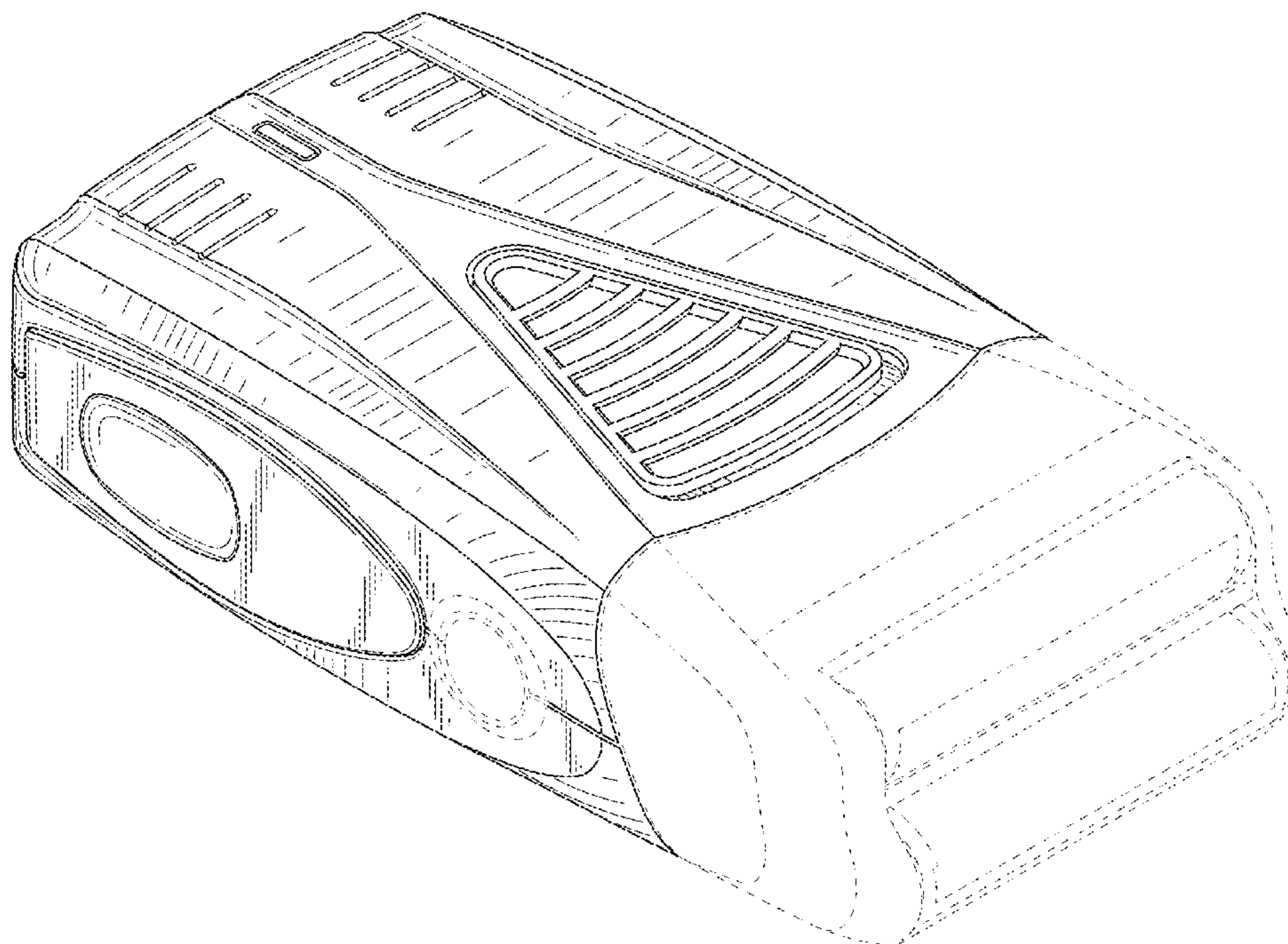
FIG. 1 is an isometric view of a shaver according to an embodiment showing the new design;
 FIG. 2 is a top view thereof;
 FIG. 3 is a bottom view thereof;
 FIG. 4 is an elevation view of a first side thereof;
 FIG. 5 is an elevation view of a second side thereof;
 FIG. 6 is an elevation view of a first end thereof; and,
 FIG. 7 is an elevation view of a second end thereof.
 The broken lines illustrate portions of the shaver and form no part of the claimed design.

1 Claim, 4 Drawing Sheets

(56) **References Cited**

U.S. PATENT DOCUMENTS

D379,012	S	*	4/1997	van Asten	D28/51
D400,302	S	*	10/1998	Ullmann	D28/49
D437,974	S	*	2/2001	Yip	D28/51
D476,114	S	*	6/2003	Jan	D28/54



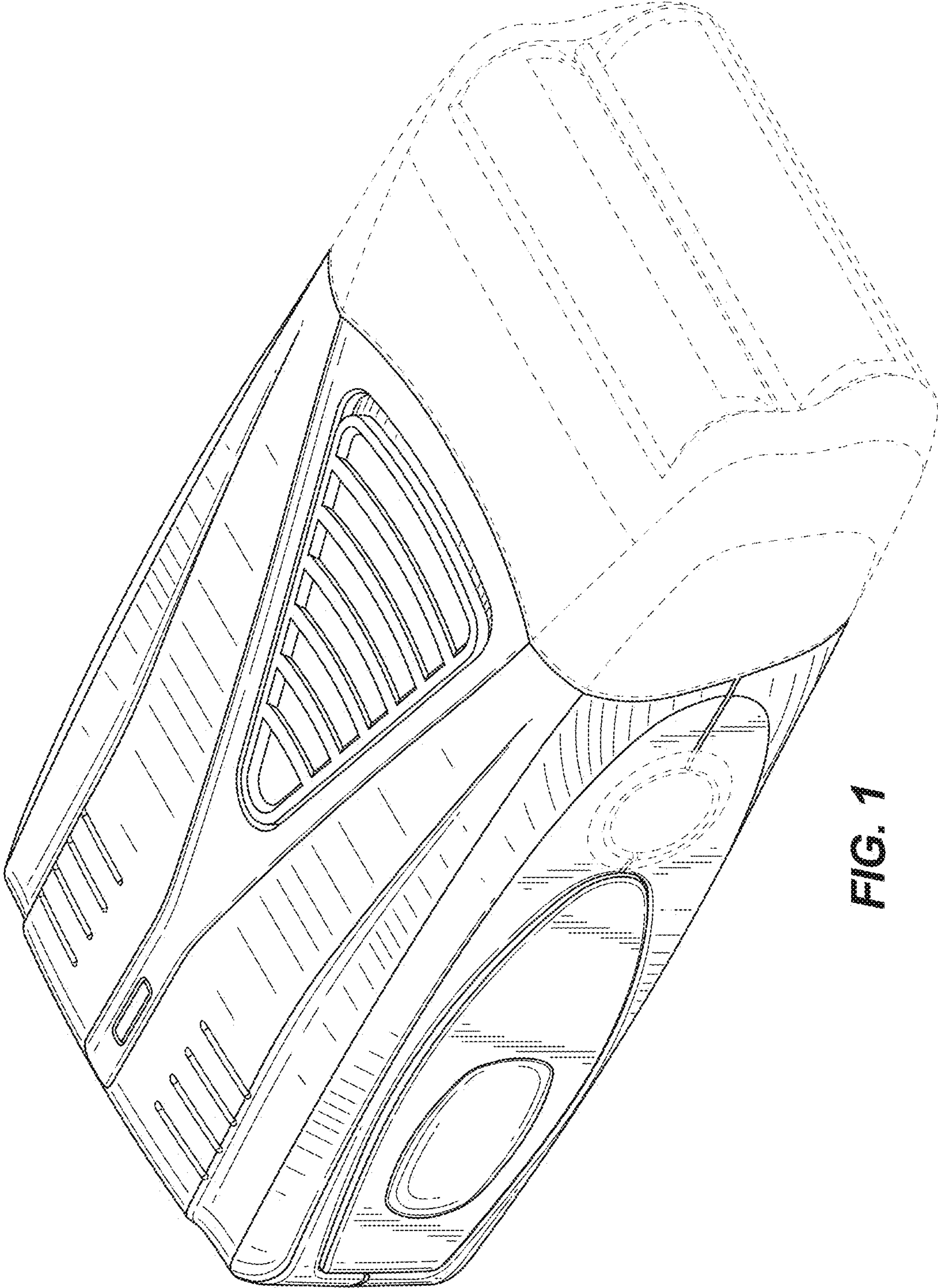


FIG. 1

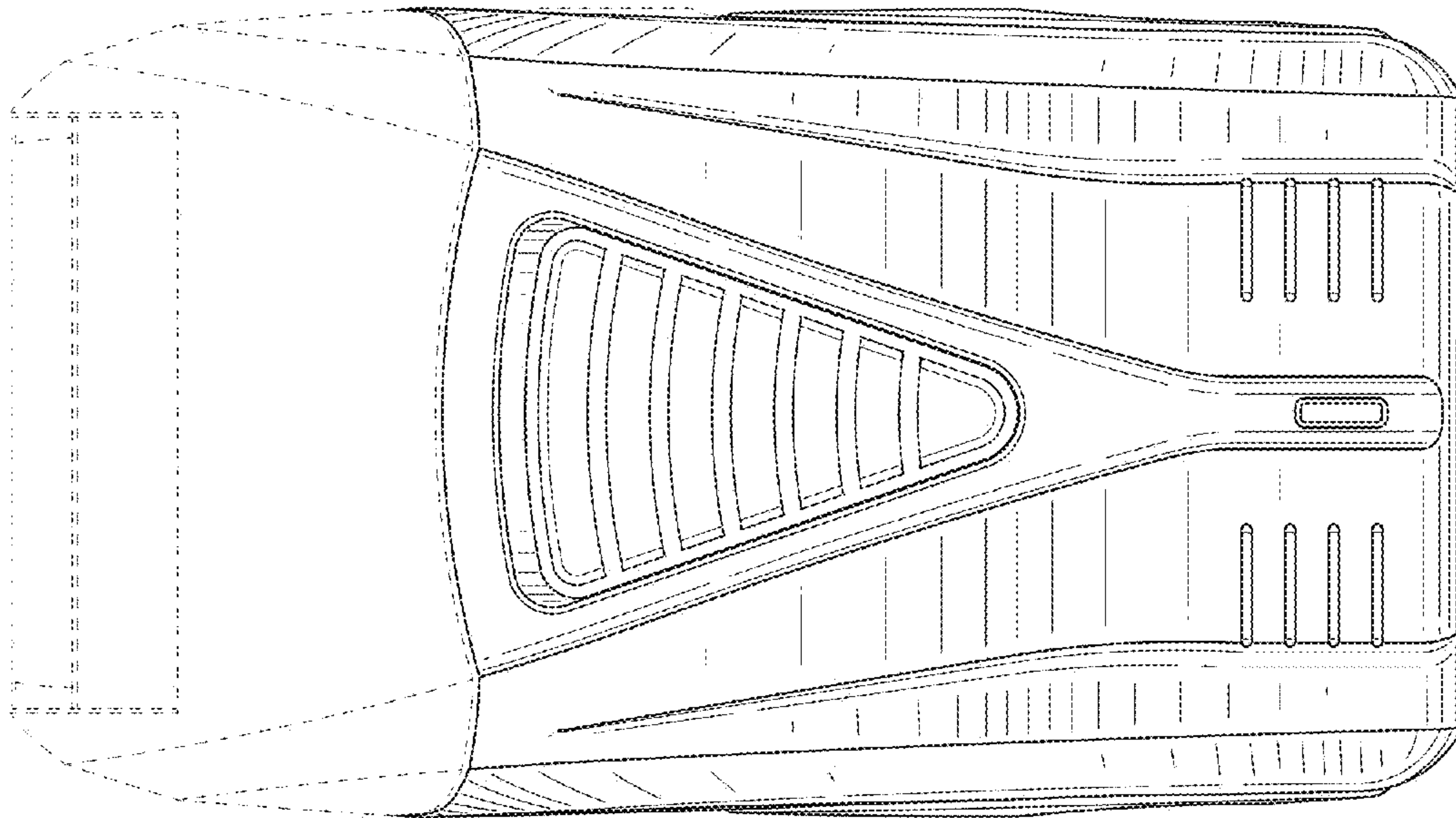


FIG. 2

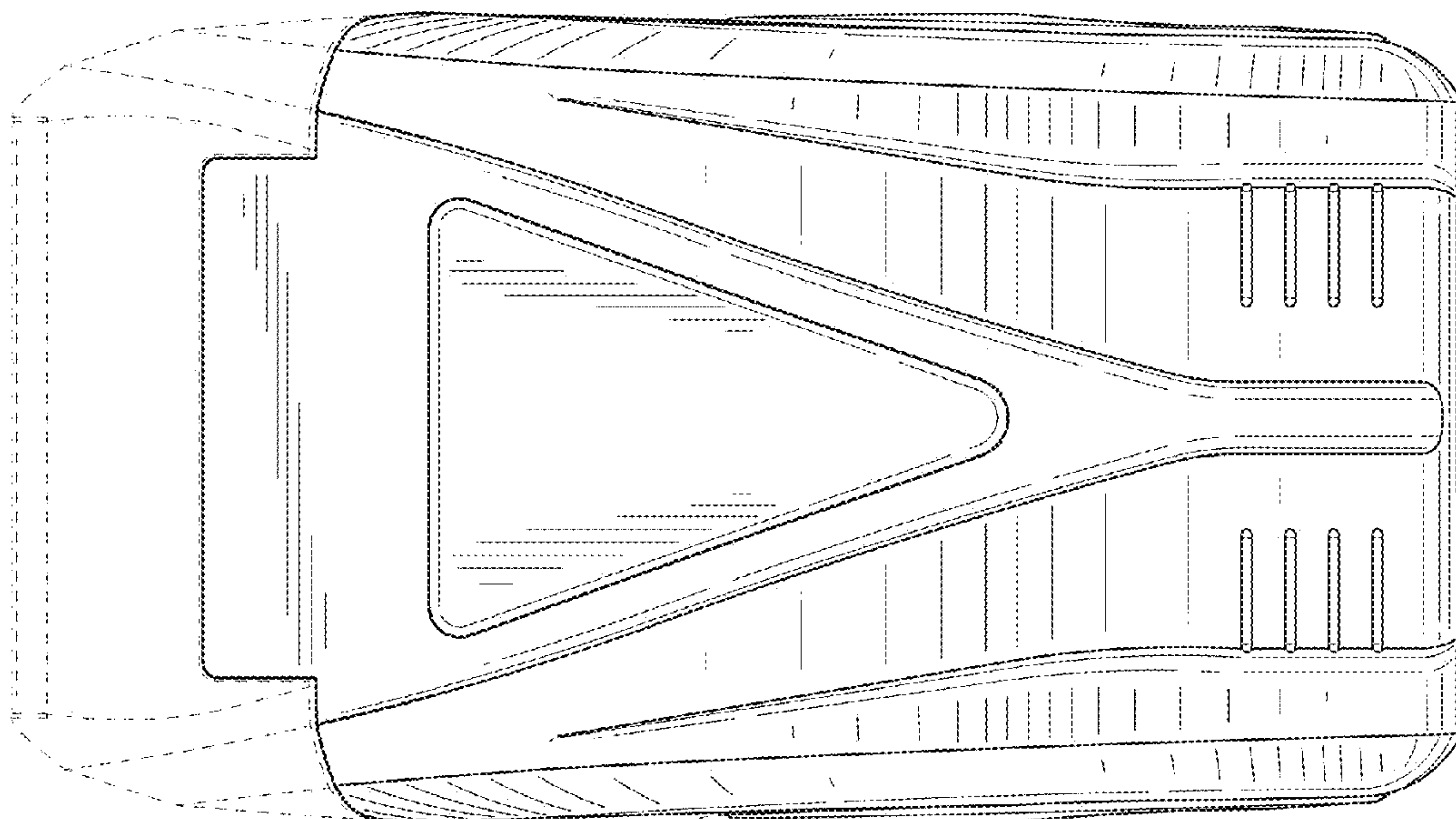


FIG. 3

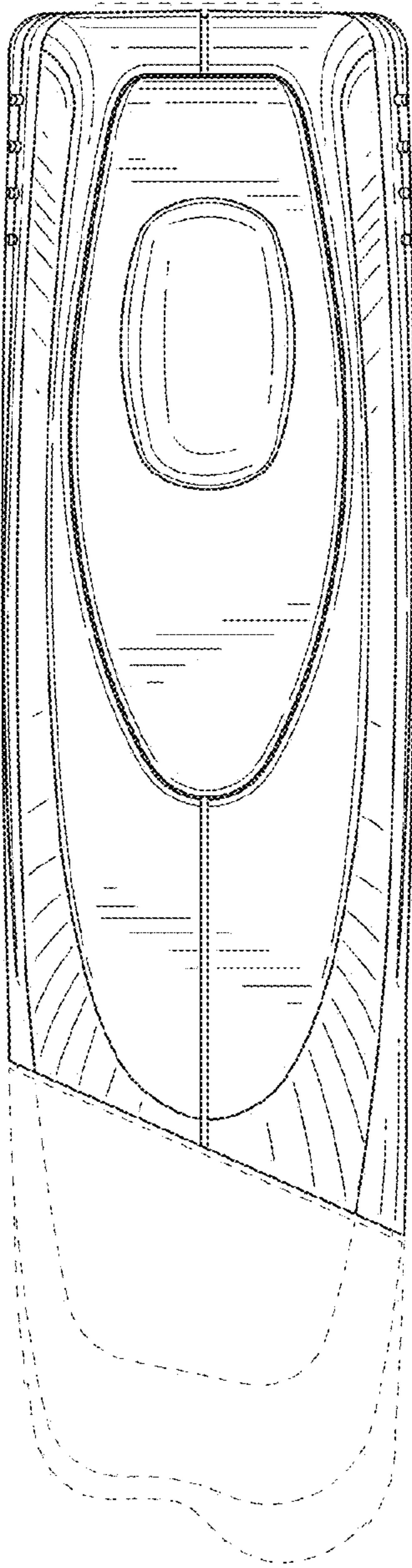


FIG. 4

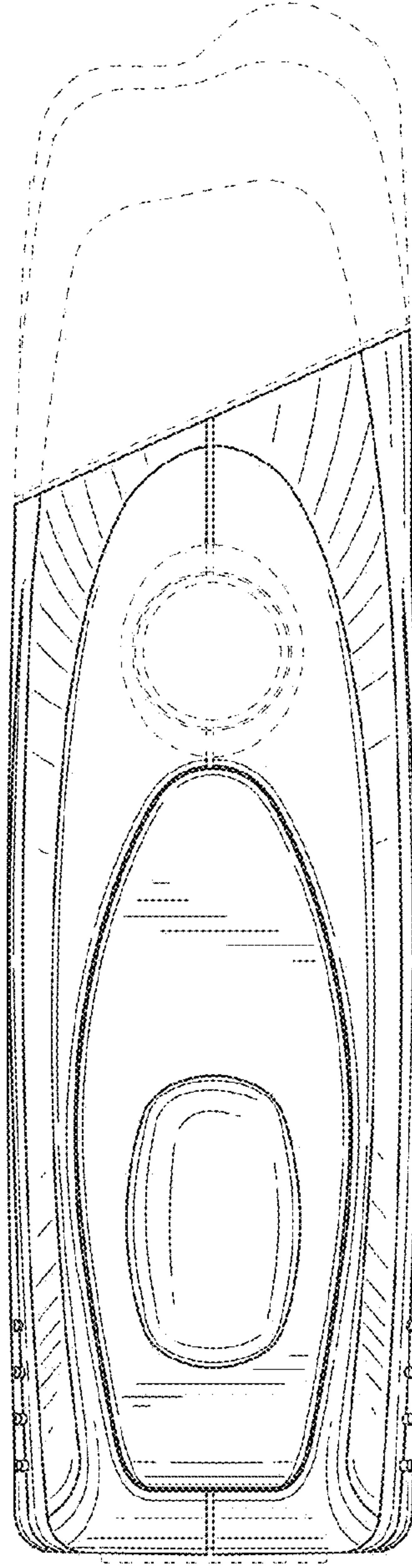


FIG. 5

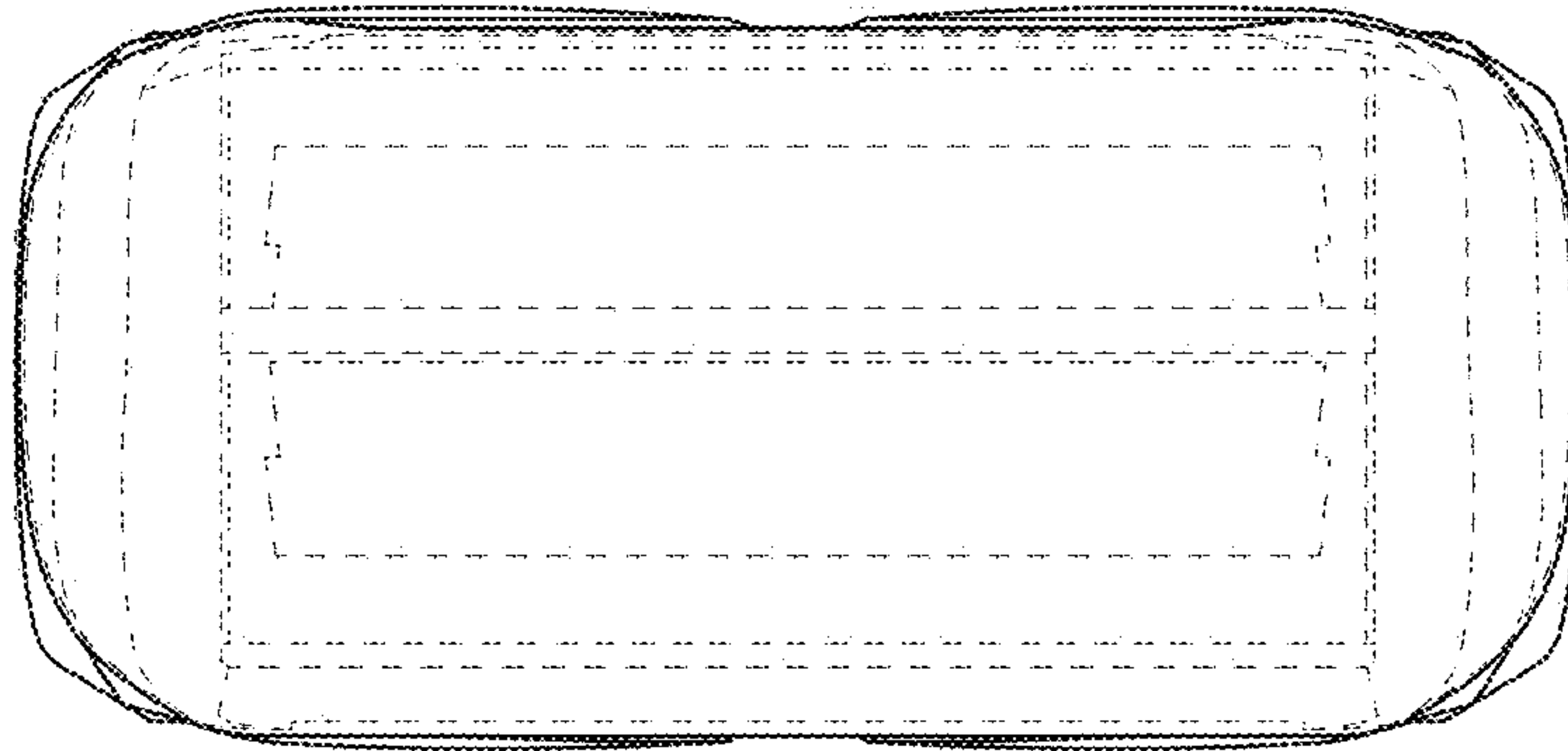


FIG. 6

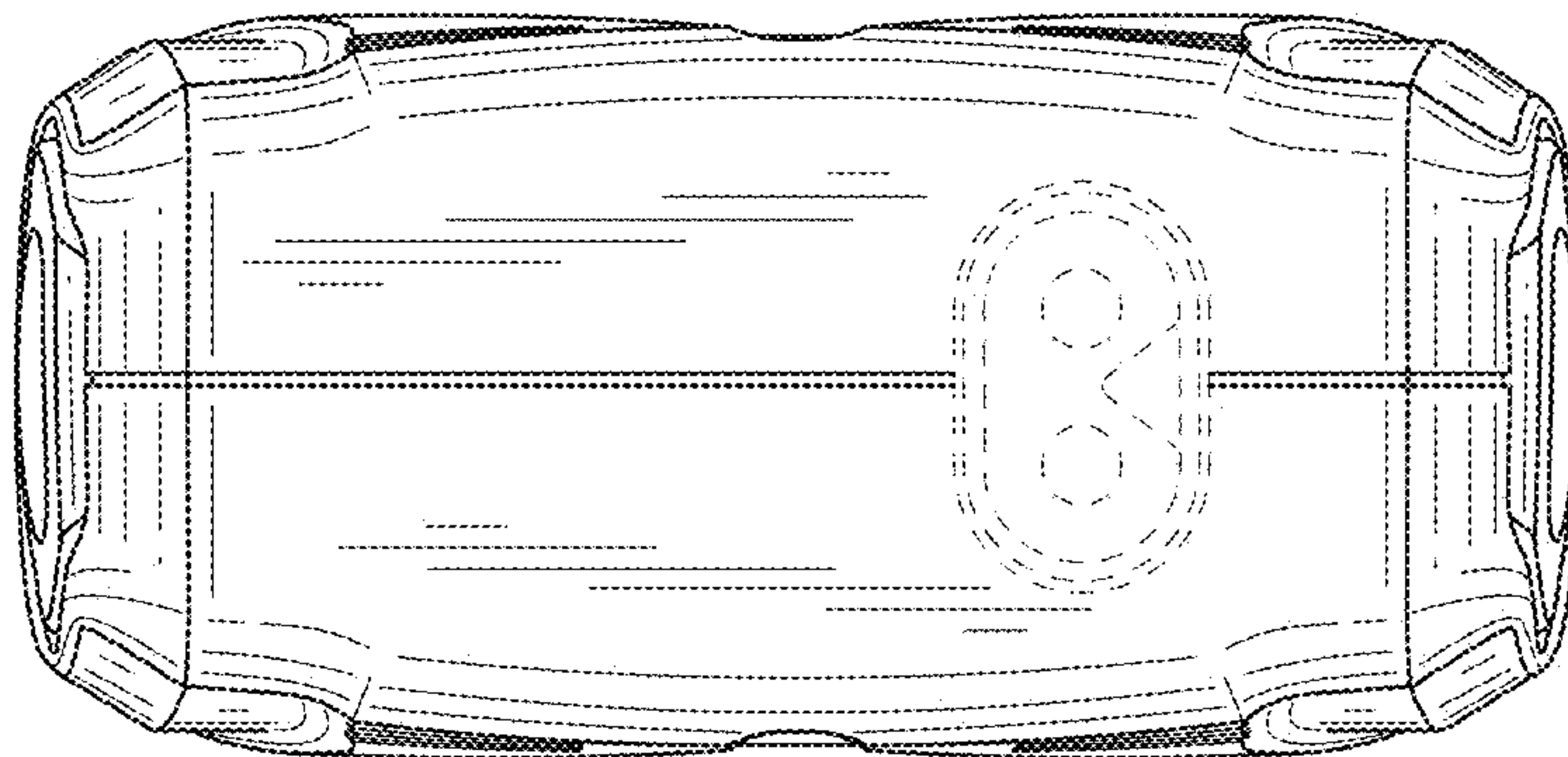


FIG. 7