



US00D749265S

(12) **United States Design Patent**
Cataudella et al.

(10) **Patent No.:** **US D749,265 S**
(45) **Date of Patent:** **** Feb. 9, 2016**

- (54) **SHAVING RAZOR CARTRIDGE**
- (71) Applicant: **The Gillette Company**, Boston, MA (US)
- (72) Inventors: **Matthew Corey Cataudella**, Boston, MA (US); **Alison Fiona Stephens**, Cookham (GB); **Paul Leslie Warrick**, Woodcote (GB)
- (73) Assignee: **The Gillette Company**, Boston, MA (US)
- (**) Term: **14 Years**
- (21) Appl. No.: **29/489,908**
- (22) Filed: **May 5, 2014**

Related U.S. Application Data

- (62) Division of application No. 29/446,936, filed on Feb. 28, 2013, now Pat. No. Des. 707,885.
- (51) **LOC (10) Cl.** **28-03**
- (52) **U.S. Cl.**
USPC **D28/47**
- (58) **Field of Classification Search**
USPC 30/32, 34.05, 34.1-34.2, 41.9, 40-40.2, 30/41, 42-46, 47-52, 57-84, 526-541, 30/346.5-346.61; D28/44-48
CPC B62B 21/00-21/12; B62B 21/14; B62B 21/165; B62B 21/18; B62B 21/24; B62B 21/30; B62B 21/32; B62B 21/40; B62B 21/4062; B62B 21/4068; B62B 21/4075; B62B 21/52-21/528; B26B 21/16; B26B 21/185; B26B 21/20-21/227; B26B 21/28

See application file for complete search history.

- (56) **References Cited**
U.S. PATENT DOCUMENTS
- D343,254 S 1/1994 Miller et al.
- D403,811 S 1/1999 Brown et al.
- 5,903,979 A 5/1999 Oldroyd
- 6,167,625 B1 1/2001 King et al.
- 6,568,082 B2 5/2003 Pouettre et al.
- D512,186 S 11/2005 Kling
- D524,482 S 7/2006 Fischer et al.
- D524,986 S 7/2006 Prudden, Jr.
- D533,684 S 12/2006 Gray et al.
- 7,540,087 B2 6/2009 Rawle
- D604,904 S 11/2009 Watson
- D625,883 S 10/2010 Wonderley
- D627,100 S 11/2010 Kinard et al.
- D627,101 S 11/2010 Kinard et al.
- D627,518 S 11/2010 Kinard et al.
- D631,198 S 1/2011 Adams et al.
- D634,474 S 3/2011 Wilby
- D638,580 S 5/2011 Adams et al.
- D643,976 S 8/2011 Wonderley et al.
- D648,075 S 11/2011 Wonderley et al.

(Continued)

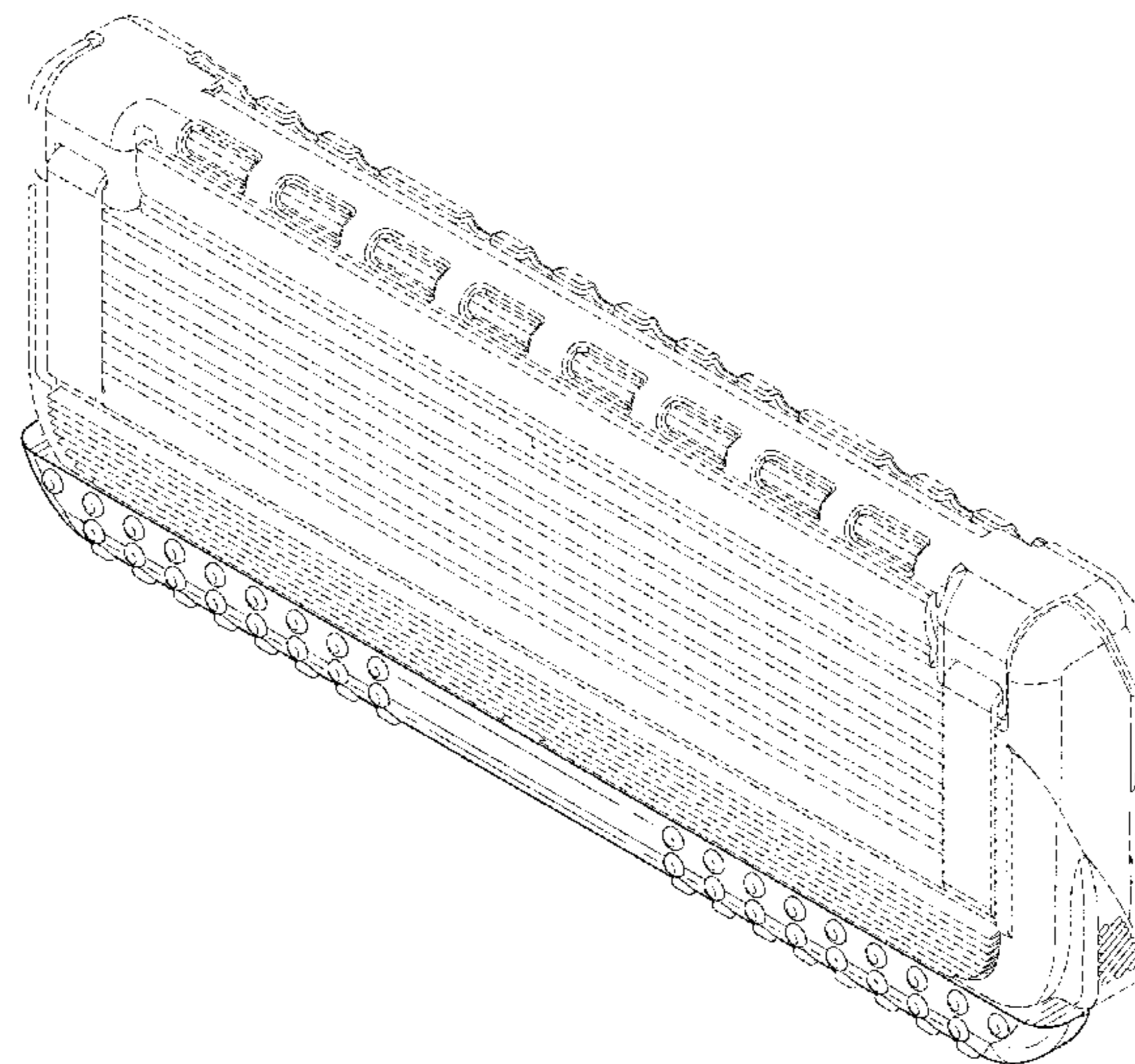
Primary Examiner — Jennifer Rivard
(74) *Attorney, Agent, or Firm* — John M. Lipschitz; Kevin C. Johnson; Steven W. Miller

(57) **CLAIM**
The ornamental design for a shaving razor cartridge, as shown and described.

DESCRIPTION

FIG. 1 is a perspective view of a shaving razor cartridge showing our new design; FIG. 2 is a top view thereof; FIG. 3 is a bottom view thereof; FIG. 4 is a left view thereof; FIG. 5 is a right view thereof; FIG. 6 is a front view thereof; and, FIG. 7 is a rear view thereof. The broken lines illustrate portions of the shaving razor cartridge and form no part of the claimed design.

1 Claim, 5 Drawing Sheets



(56)

References Cited

U.S. PATENT DOCUMENTS

D662,661 S 6/2012 Corbeil et al.
D665,130 S 8/2012 Wain et al.
D674,137 S 1/2013 Wilby et al.

D707,885 S * 6/2014 Cataudella D28/47
2007/0062044 A1 3/2007 Walker et al.
2007/0062047 A1 3/2007 Zhuk et al.
2010/0077619 A1 4/2010 Follo et al.
2011/0258856 A1 10/2011 Walker et al.

* cited by examiner

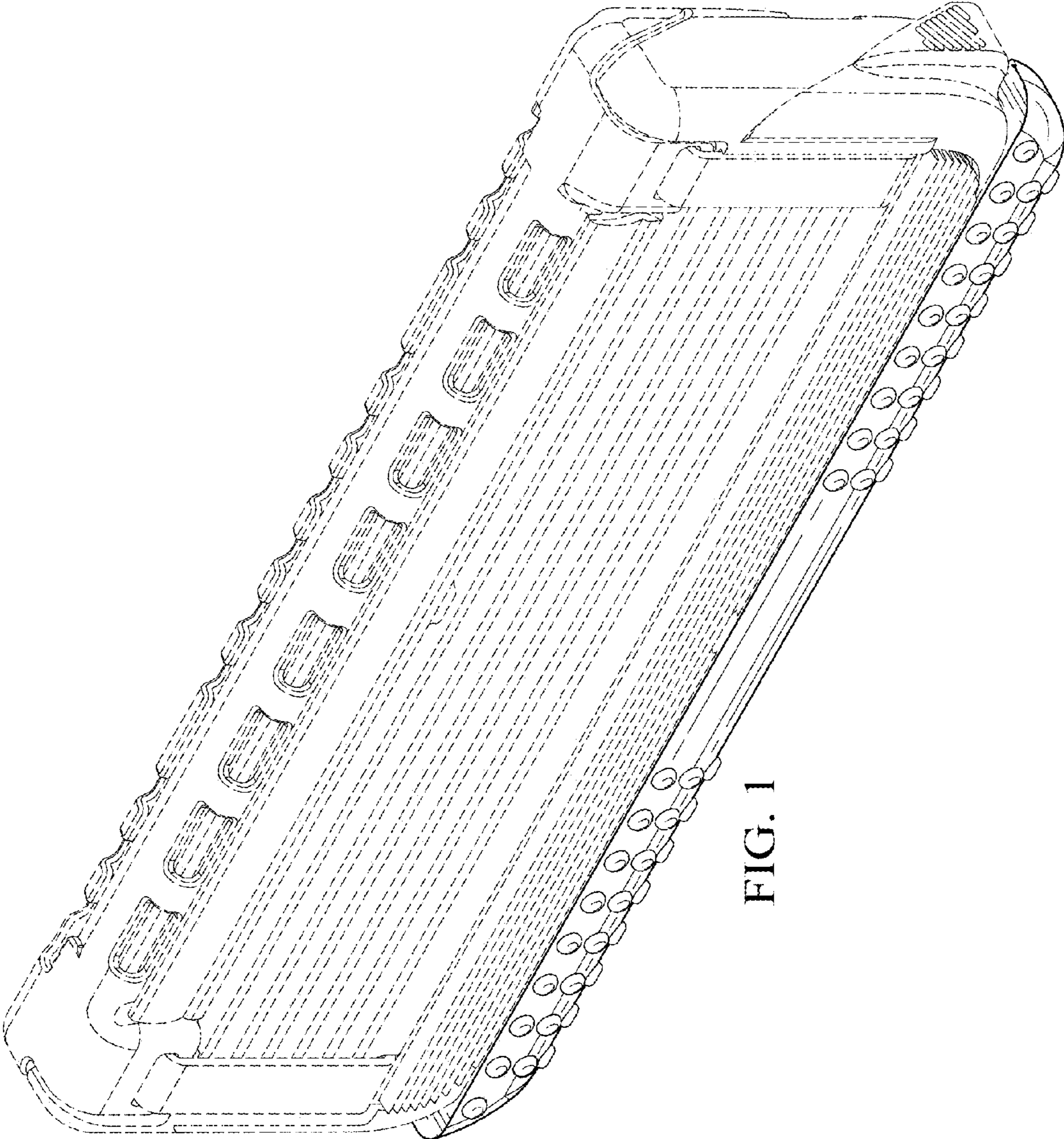


FIG. 1

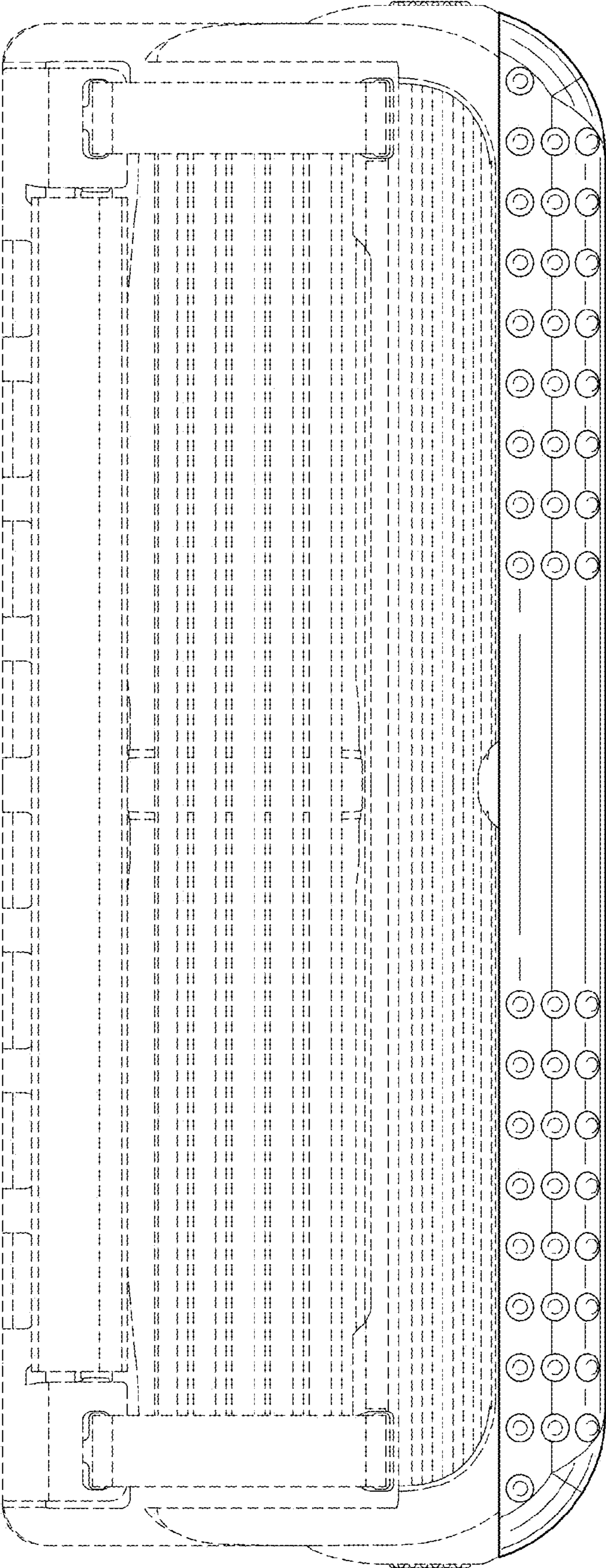


FIG. 2

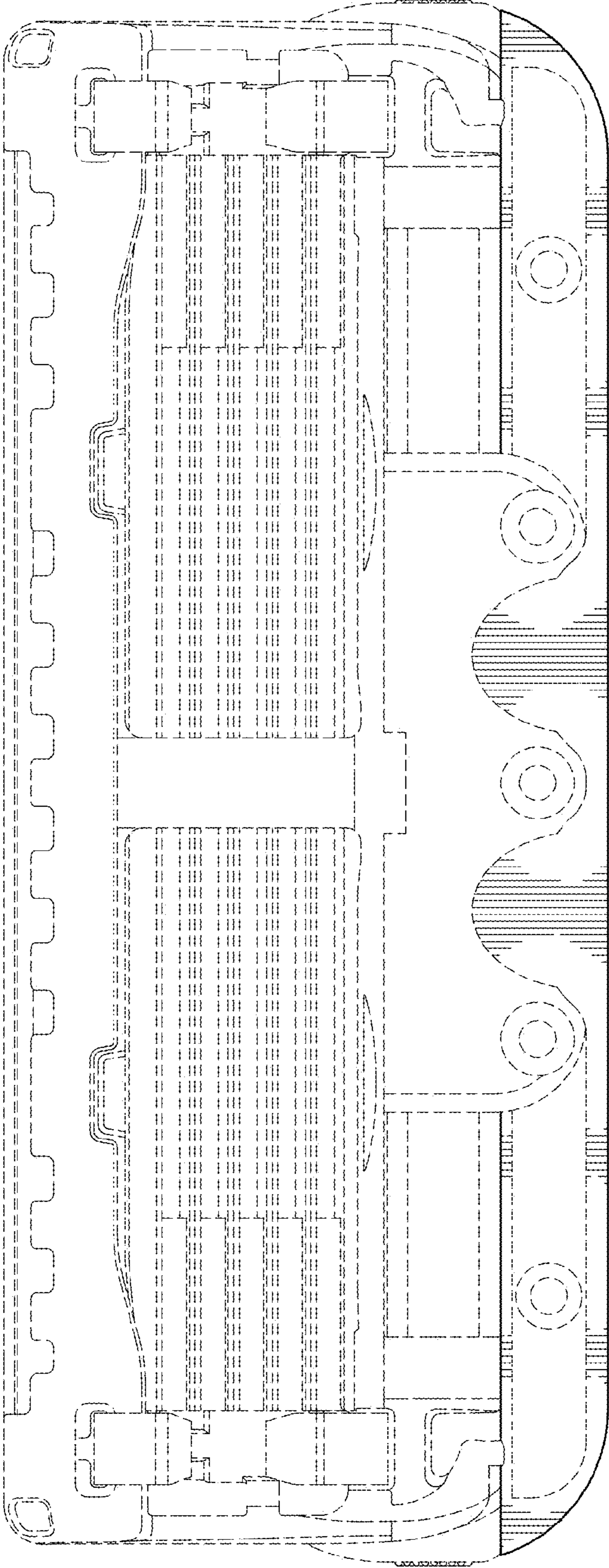


FIG. 3

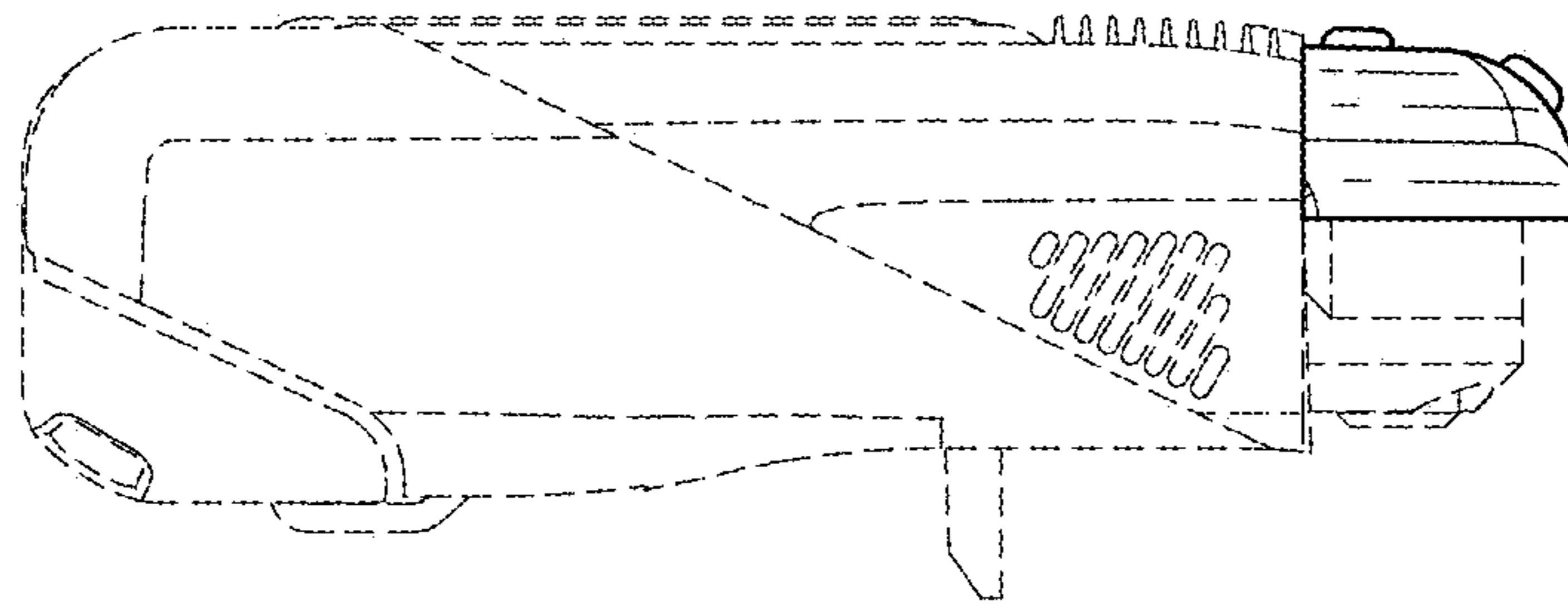


FIG. 5

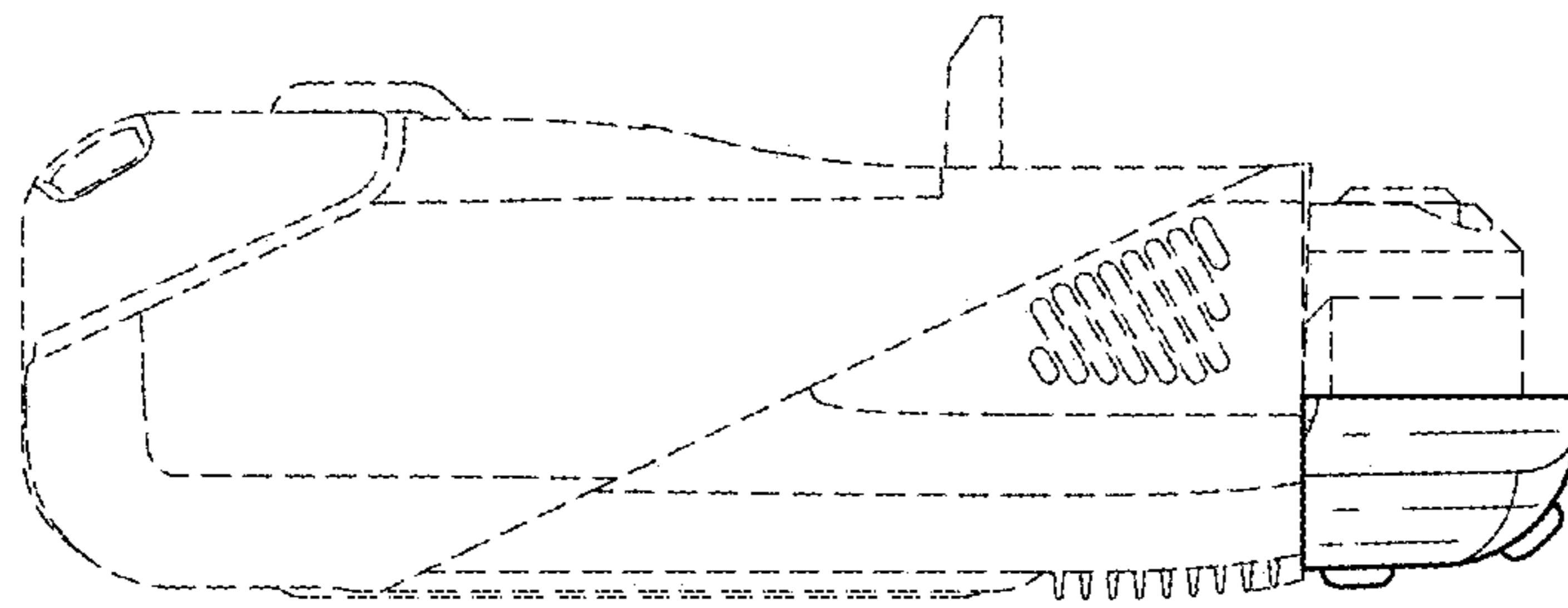


FIG. 4

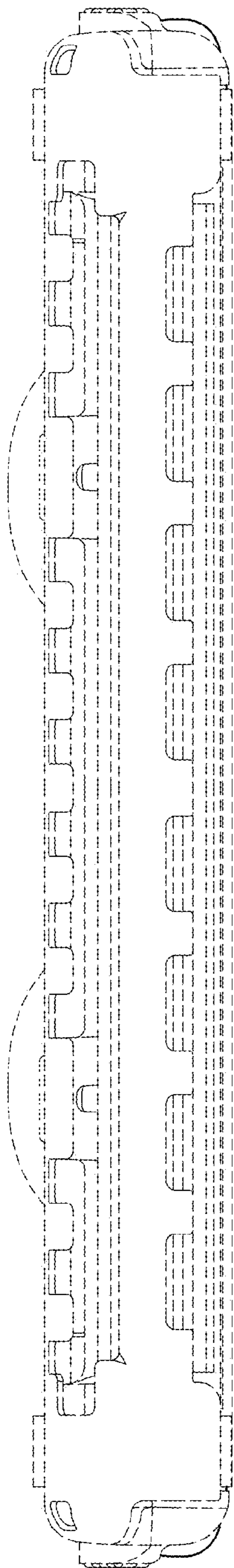


FIG. 6

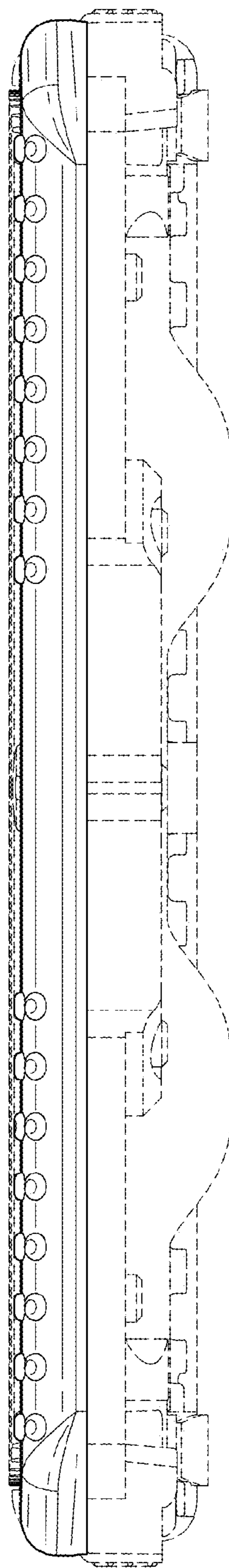


FIG. 7