



US00D749264S

(12) **United States Design Patent**  
**Leatherman et al.**

(10) **Patent No.:** **US D749,264 S**  
(45) **Date of Patent:** **\*\* Feb. 9, 2016**

(54) **SAFETY RAZOR**

(71) Applicant: **Eveready Battery Company Inc.**, St Louis, MO (US)

(72) Inventors: **Christopher Leatherman**, New Hartford, CT (US); **Jia Jun Shen**, New Haven, CT (US)

(73) Assignee: **Edgewell Personal Care Brands, LLC**, Chesterfield, MO (US)

(\*\*) Term: **14 Years**

(21) Appl. No.: **29/509,966**

(22) Filed: **Nov. 24, 2014**

(51) **LOC (10) Cl.** ..... **28-03**

(52) **U.S. Cl.**  
USPC ..... **D28/46**

(58) **Field of Classification Search**  
USPC ..... D28/44-48  
CPC ..... B26B 21/00-21/06; B26B 21/08-21/38;  
B26B 21/40; B26B 21/52-21/60  
See application file for complete search history.

(56) **References Cited**

**U.S. PATENT DOCUMENTS**

5,787,586 A 8/1998 Apprille, Jr. et al.  
7,168,173 B2 1/2007 Worrick, III  
D644,789 S \* 9/2011 Lukan ..... D28/46

D650,527 S 12/2011 Andersen et al.  
D650,528 S 12/2011 Andersen et al.  
D650,946 S 12/2011 Andersen et al.  
D659,285 S \* 5/2012 Lukan ..... D28/46  
D659,286 S \* 5/2012 Lukan ..... D28/46  
D662,664 S \* 6/2012 Hasegawa ..... D28/48  
D730,579 S \* 5/2015 Han ..... D28/48  
D731,119 S \* 6/2015 Daniel ..... D28/46

\* cited by examiner

*Primary Examiner* — Jennifer Rivard

(74) *Attorney, Agent, or Firm* — Edgewell Personal Care Brands, LLC

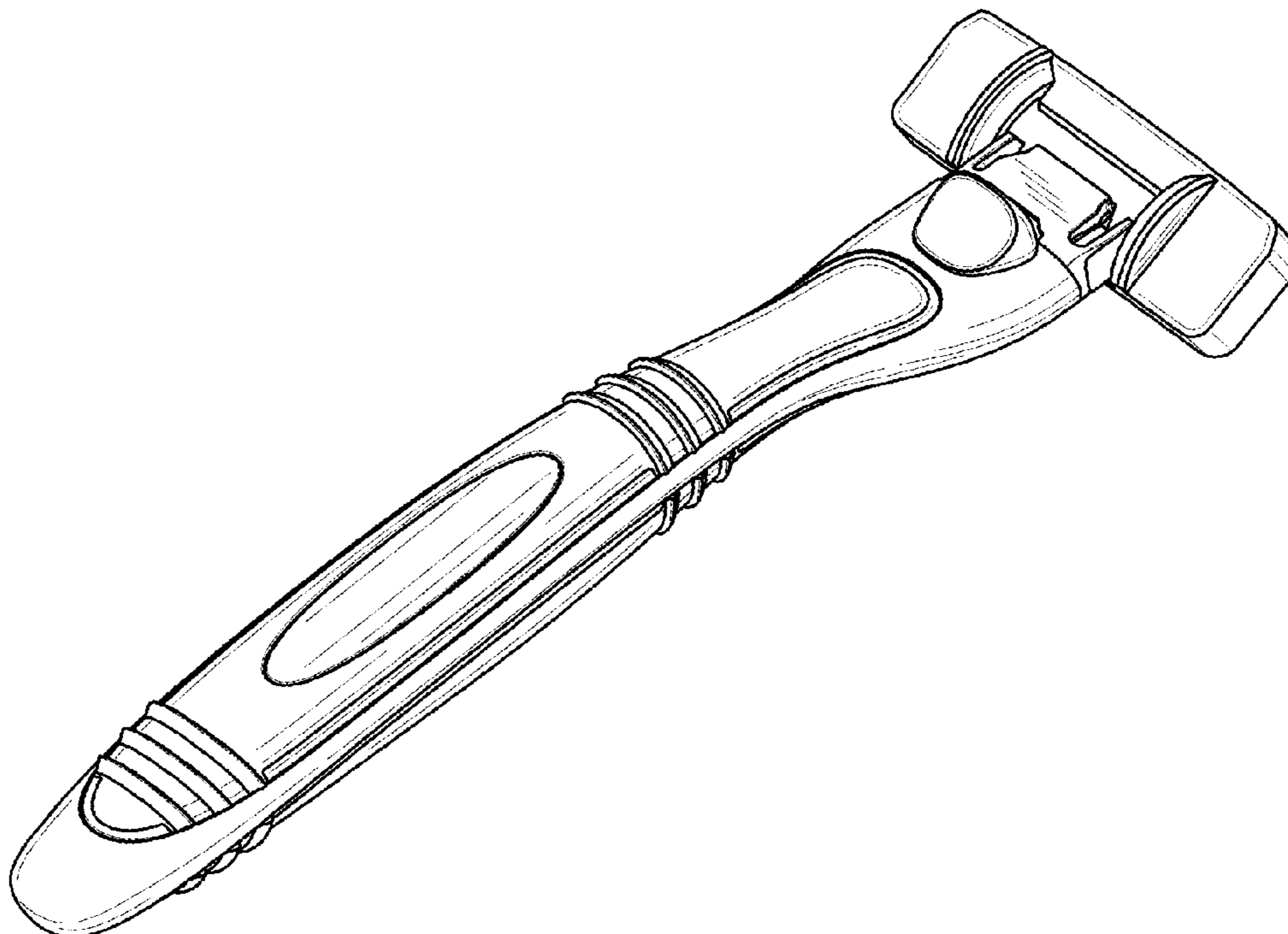
(57) **CLAIM**

We claim the ornamental design for the safety razor, as shown and described.

**DESCRIPTION**

FIG. 1 is an upper perspective view of a safety razor.  
FIG. 2 is a lower perspective view thereof.  
FIG. 3 is a front view thereof.  
FIG. 4 is a rear view thereof.  
FIG. 5 is a left side view of FIG. 4.  
FIG. 6 is a right side view of FIG. 4.  
FIG. 7 is a top end view; and,  
FIG. 8 is a bottom end view.

**1 Claim, 4 Drawing Sheets**



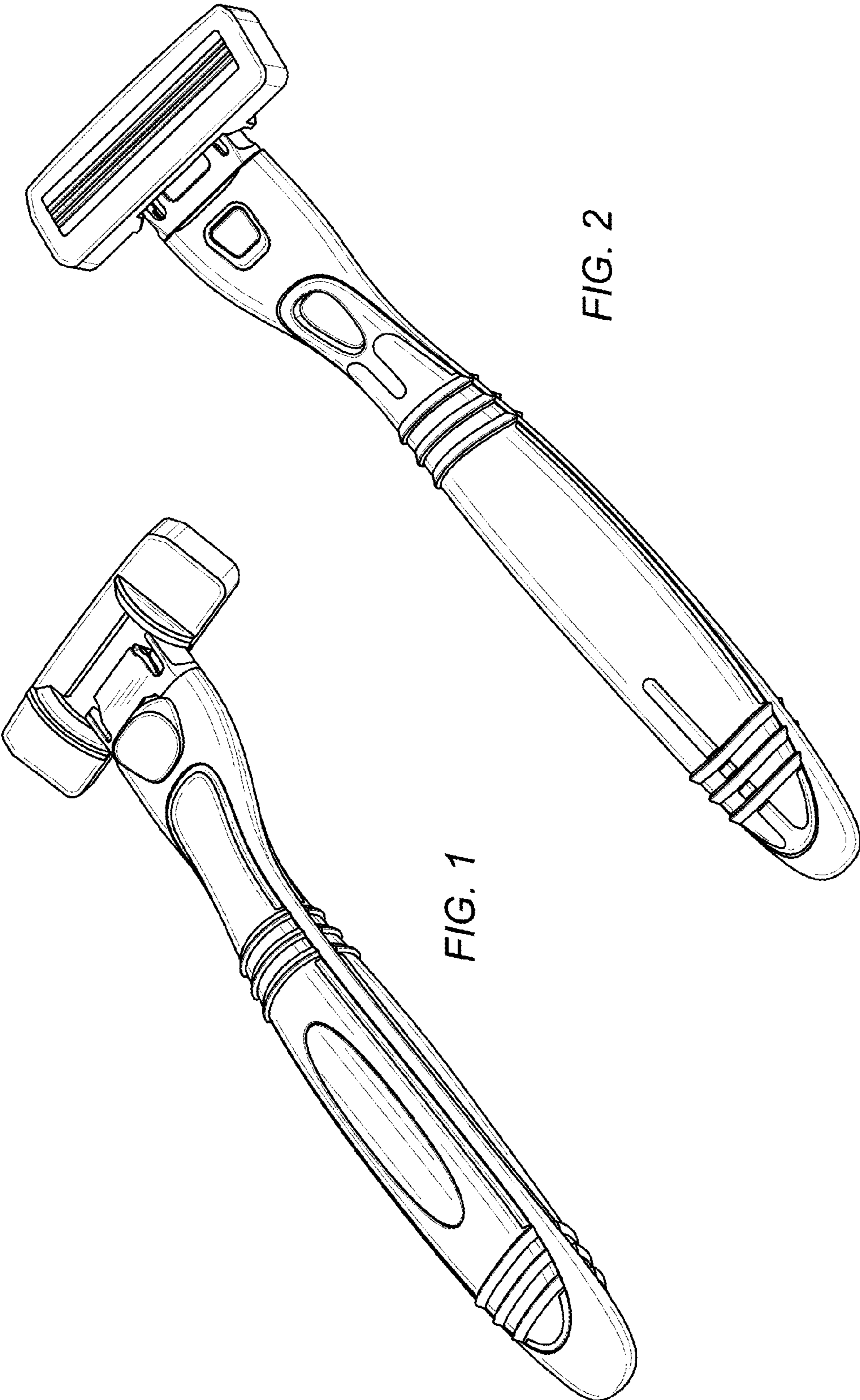


FIG. 1

FIG. 2

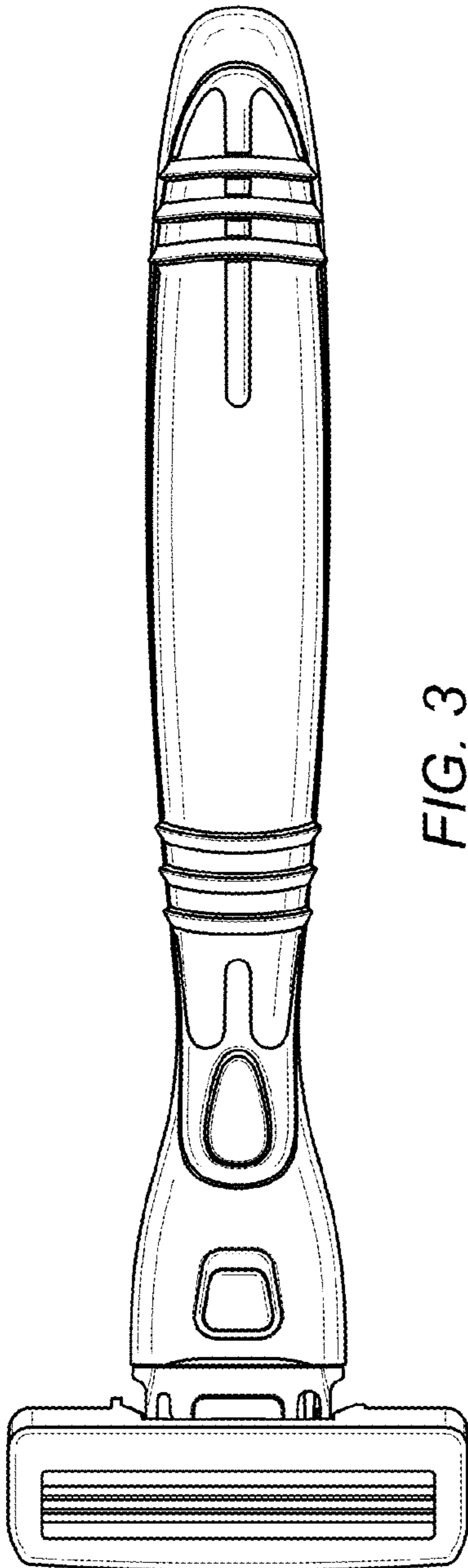


FIG. 3

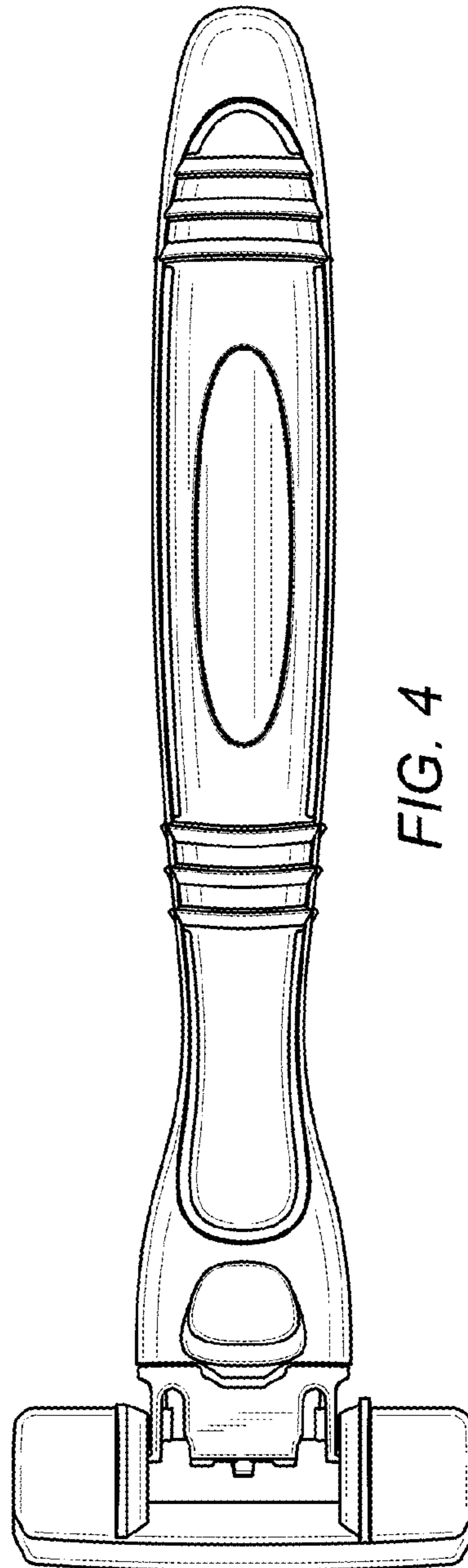


FIG. 4



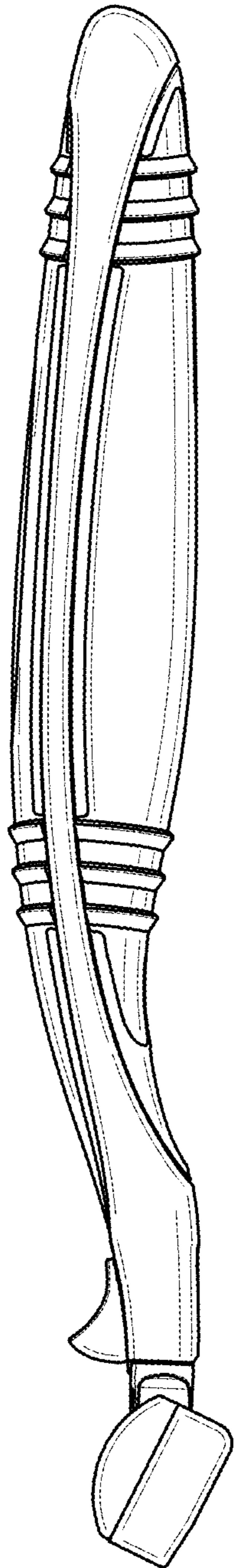


FIG. 5

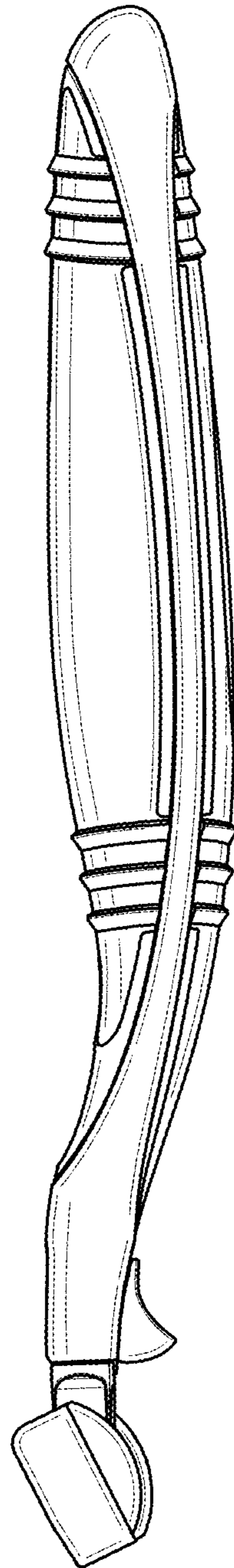


FIG. 6

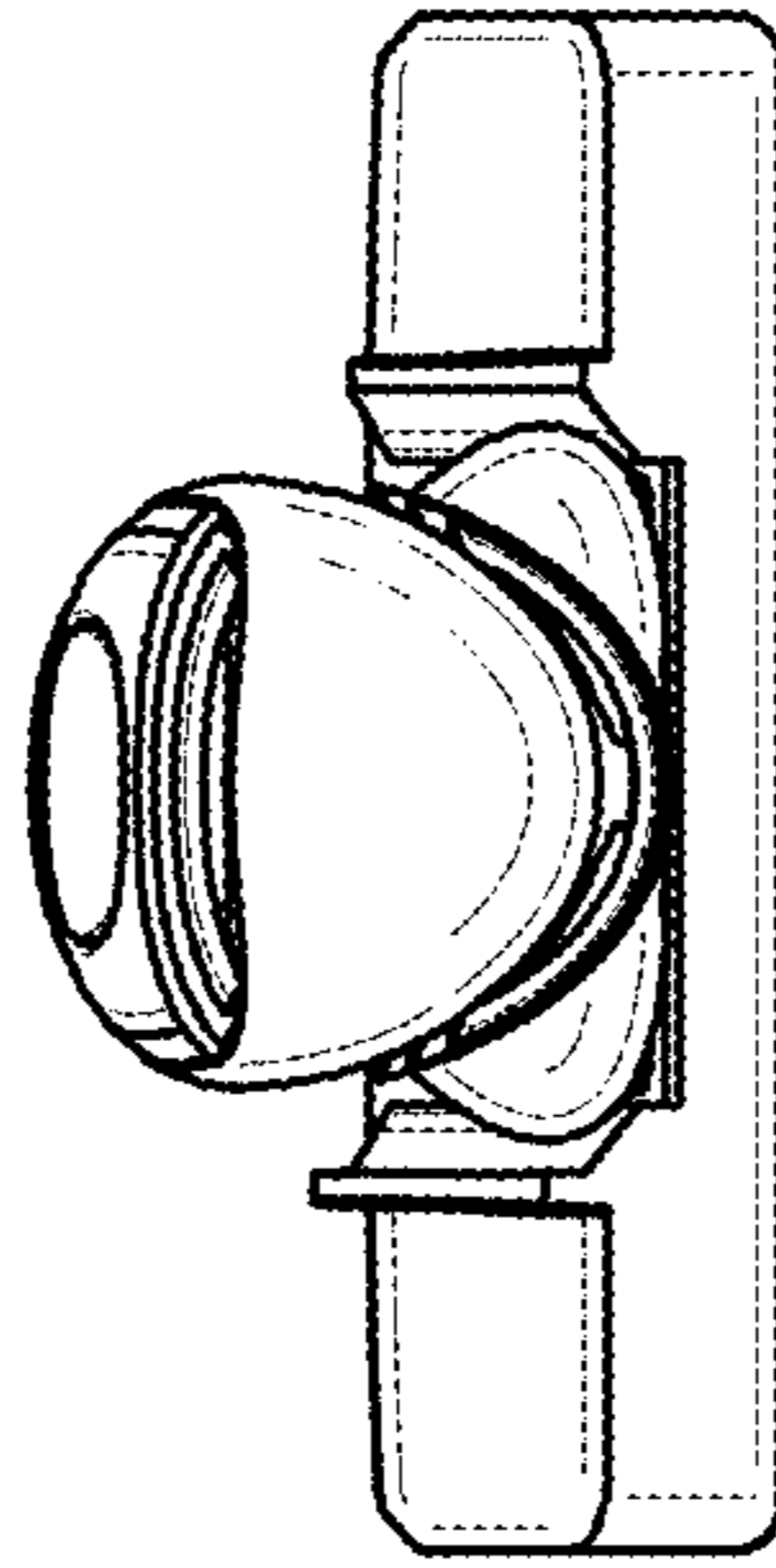


FIG. 8

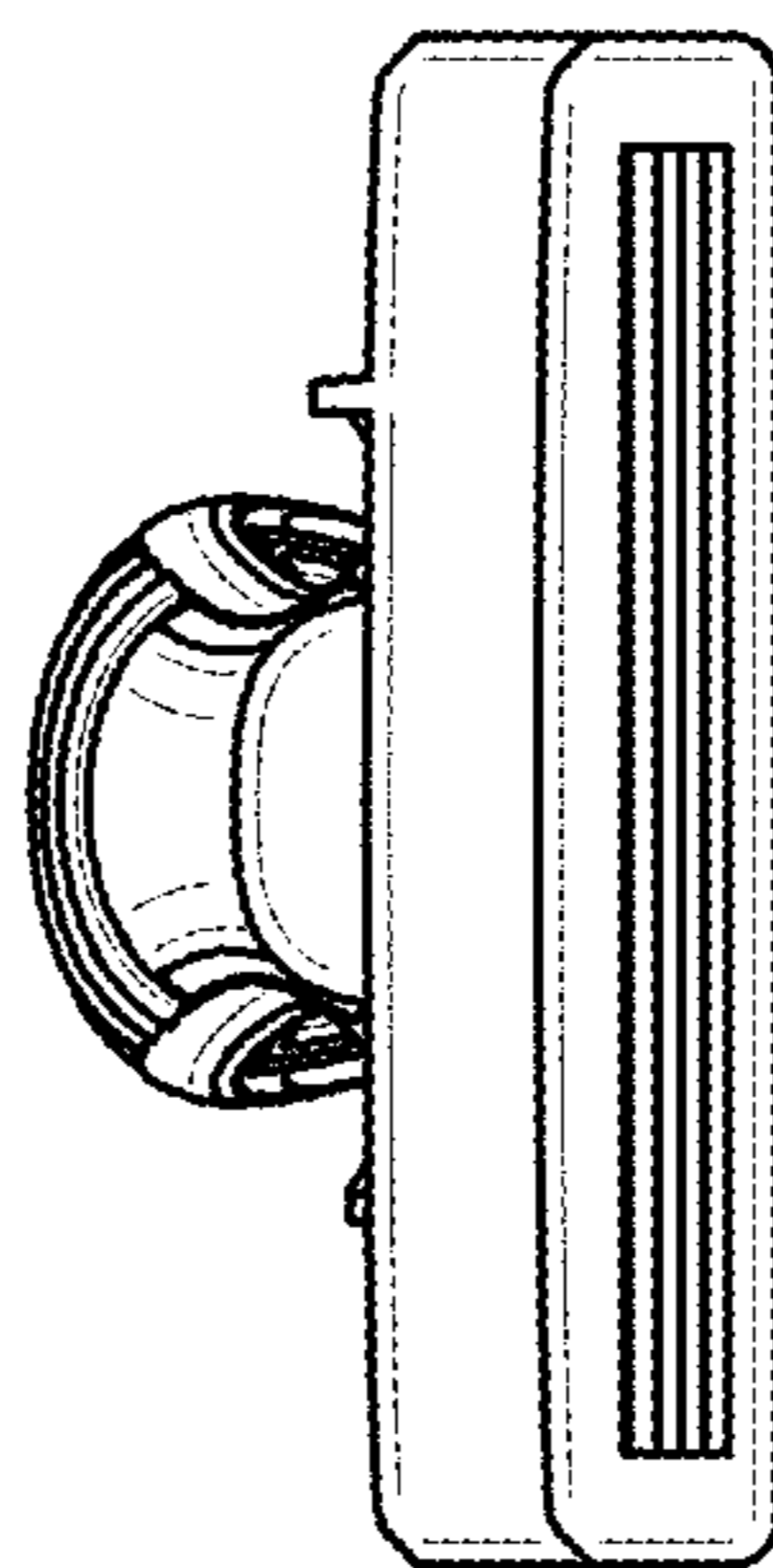


FIG. 7