



US00D749263S

(12) **United States Design Patent**
Pleshek et al.

(10) **Patent No.:** **US D749,263 S**
(45) **Date of Patent:** **** Feb. 9, 2016**

(54) **LATHER MACHINE**
(71) Applicant: **ANDIS COMPANY**, Sturtevant, WI (US)
(72) Inventors: **Mark A. Pleshek**, Greenfield, WI (US);
John Piwaron, Milwaukee, WI (US);
Timothy Brian Strandell, Racine, WI (US)
(73) Assignee: **ANDIS COMPANY**, Sturtevant, WI (US)

(**) Term: **14 Years**
(21) Appl. No.: **29/504,439**

(22) Filed: **Oct. 6, 2014**
(51) **LOC (10) Cl.** **28-03**
(52) **U.S. Cl.**
USPC **D28/9**
(58) **Field of Classification Search**
USPC D28/9-10, 99
CPC A45D 27/02; A45D 27/04; A45D 27/06;
A45D 27/08; A45D 27/10; A45D 27/12;
A47K 5/14-5/16
See application file for complete search history.

(56) **References Cited**
U.S. PATENT DOCUMENTS
2,756,102 A * 7/1956 Switzer A45D 27/10
239/310
3,119,779 A * 1/1964 Barrows C11D 13/00
222/190

3,355,151 A * 11/1967 Menzel A45D 27/10
366/182.3
3,523,908 A * 8/1970 Levy A45D 27/10
239/311
3,580,863 A * 5/1971 Campbell A47K 5/14
222/146.5
3,712,512 A * 1/1973 Snider, Jr. A45D 27/10
175/359
D294,405 S * 2/1988 Man Yau D18/50
D308,117 S * 5/1990 Badgett D28/9
7,198,177 B2 * 4/2007 Ganzeboom A47K 5/14
222/321.8

* cited by examiner

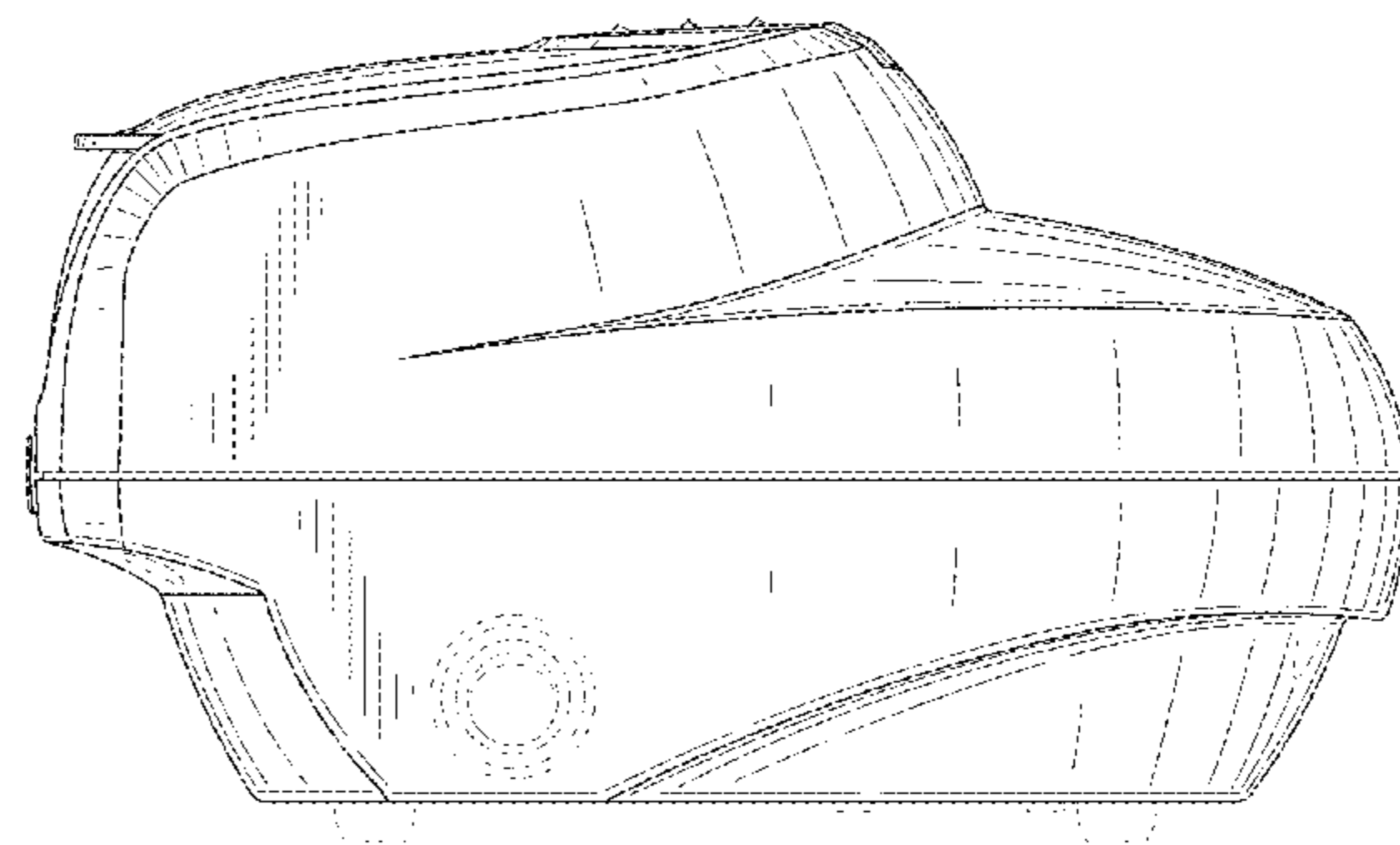
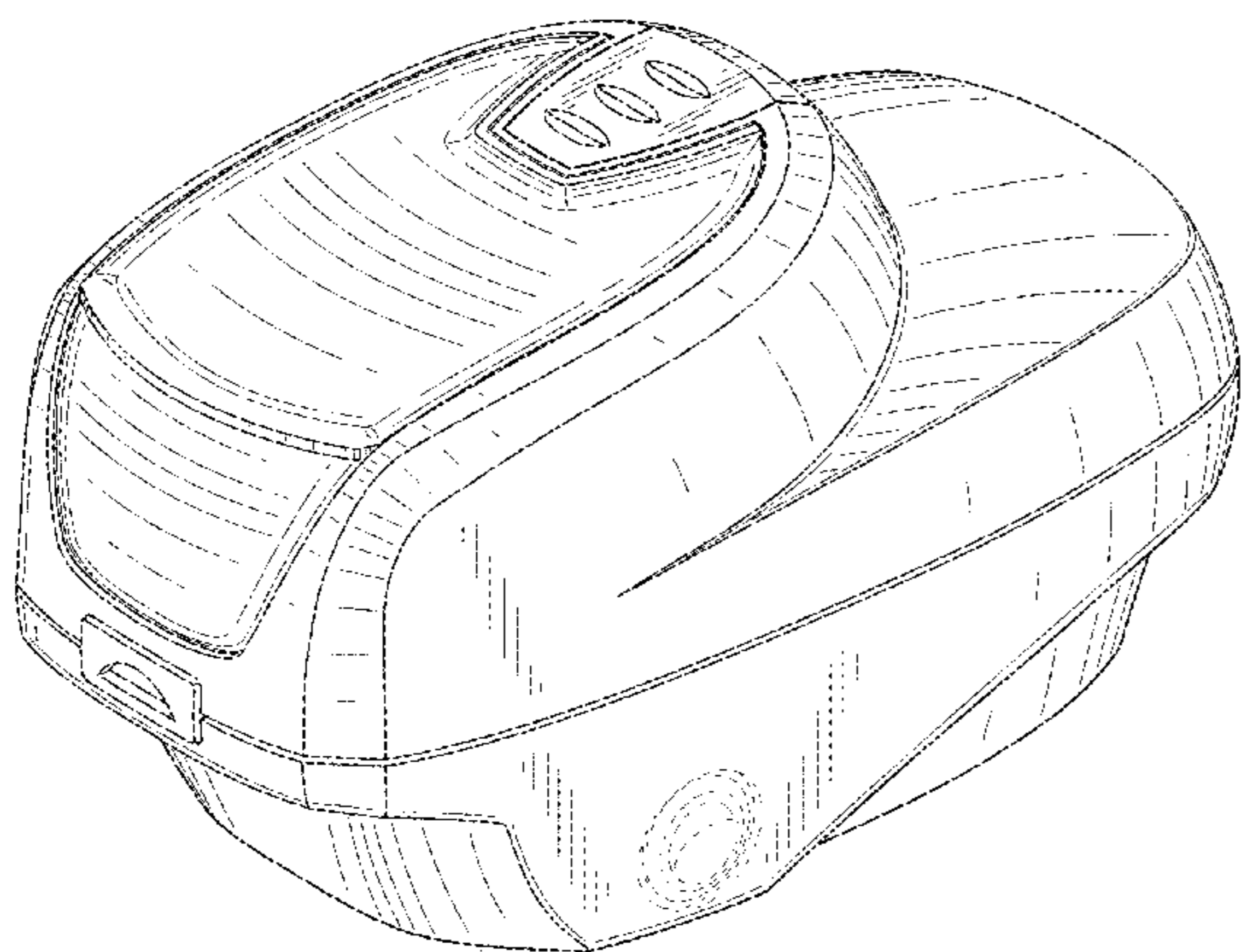
Primary Examiner — Jennifer Rivard
(74) *Attorney, Agent, or Firm* — Michael Best & Friedrich LLP

(57) **CLAIM**
We claim the ornamental design for a lather machine, as shown and described.

DESCRIPTION

FIG. 1 is an isometric view of a lather machine according to an embodiment showing the new design;
FIG. 2 is a top view thereof;
FIG. 3 is a bottom view thereof;
FIG. 4 is an elevation view of a first side thereof;
FIG. 5 is an elevation view of a second side thereof;
FIG. 6 is an elevation view of a first end thereof; and,
FIG. 7 is an elevation view of a second end thereof.
The broken lines shown in the drawings illustrate portions of the lather machine and form no part of the claimed design.

1 Claim, 4 Drawing Sheets



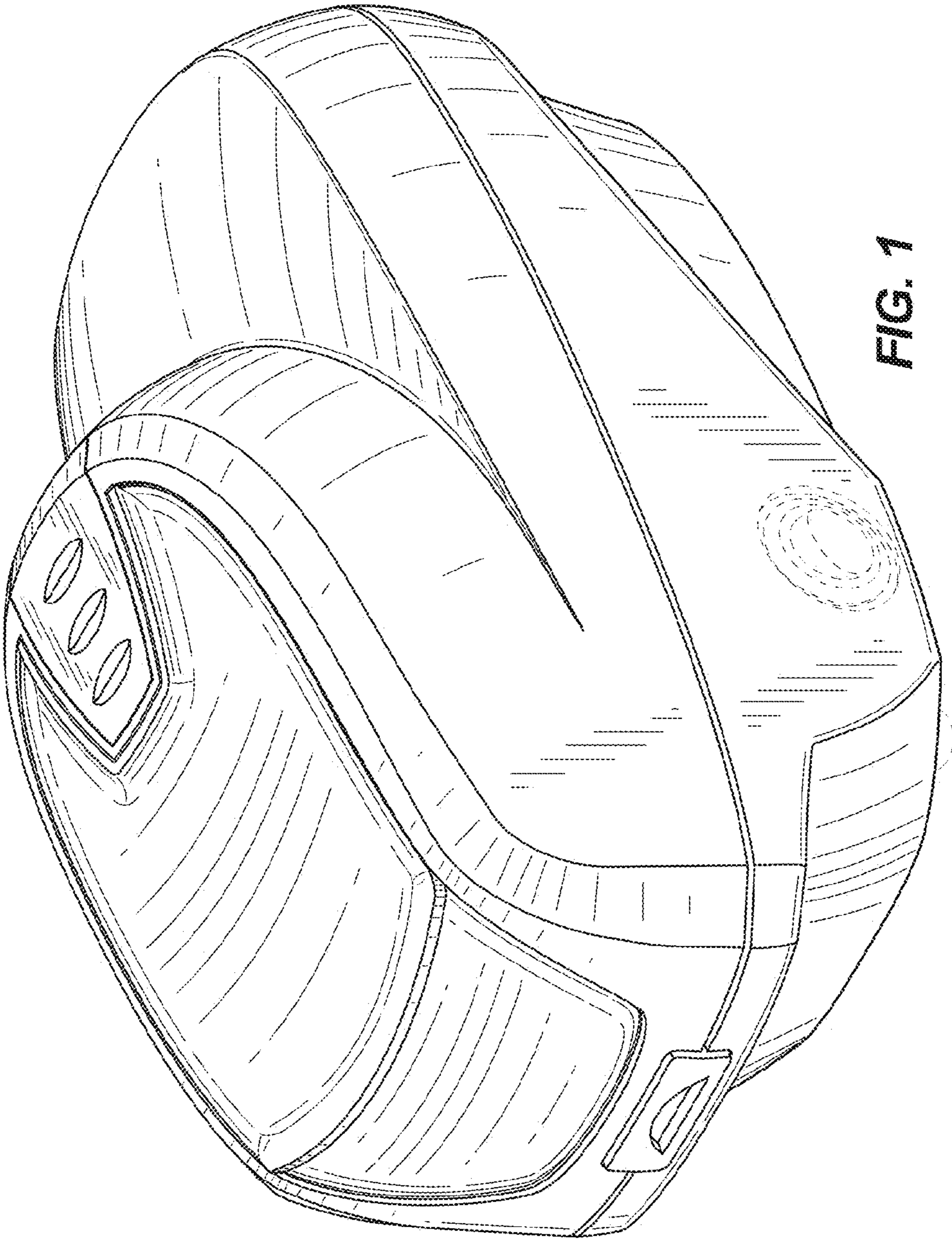


FIG. 1

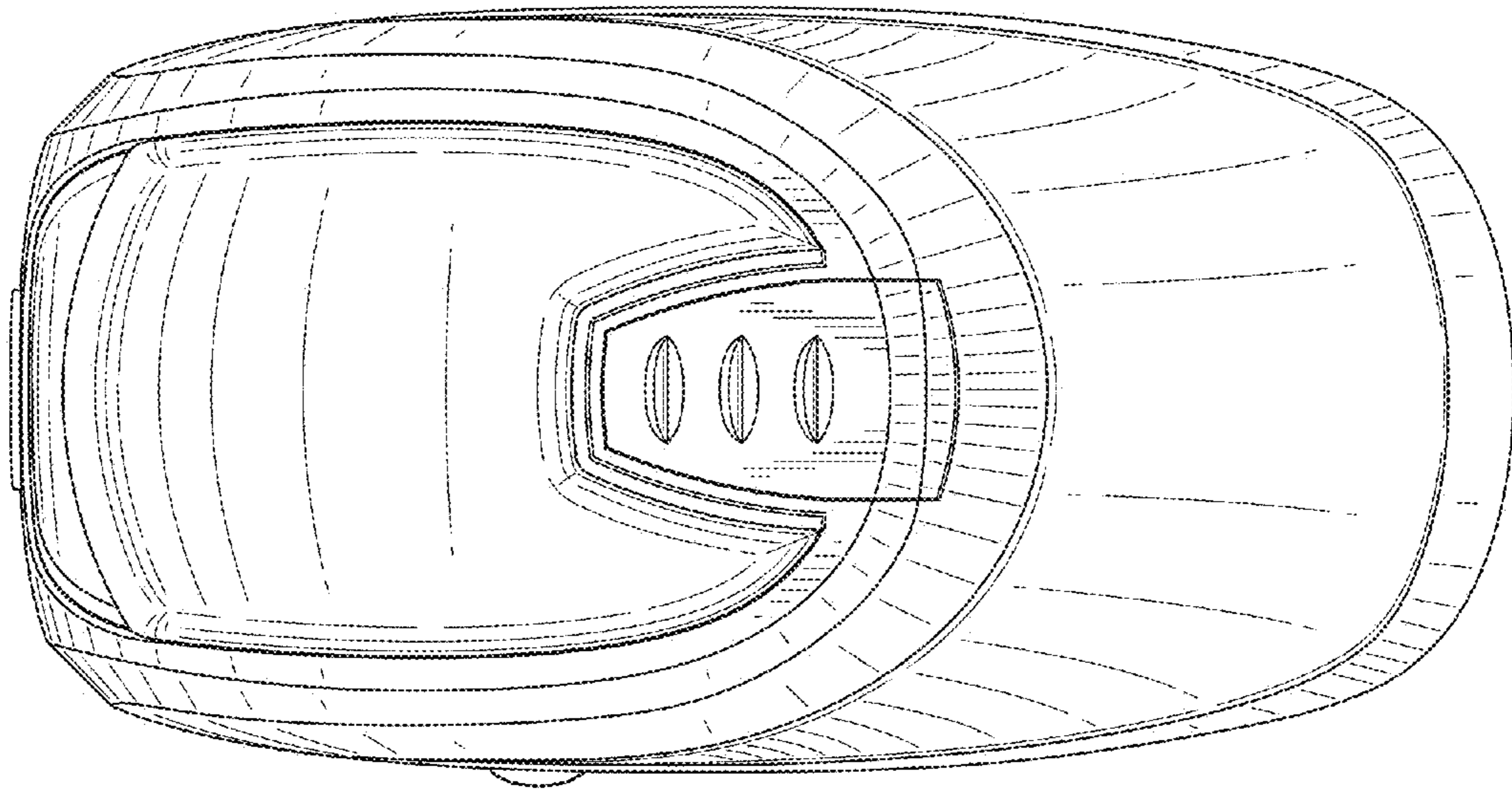


FIG. 2

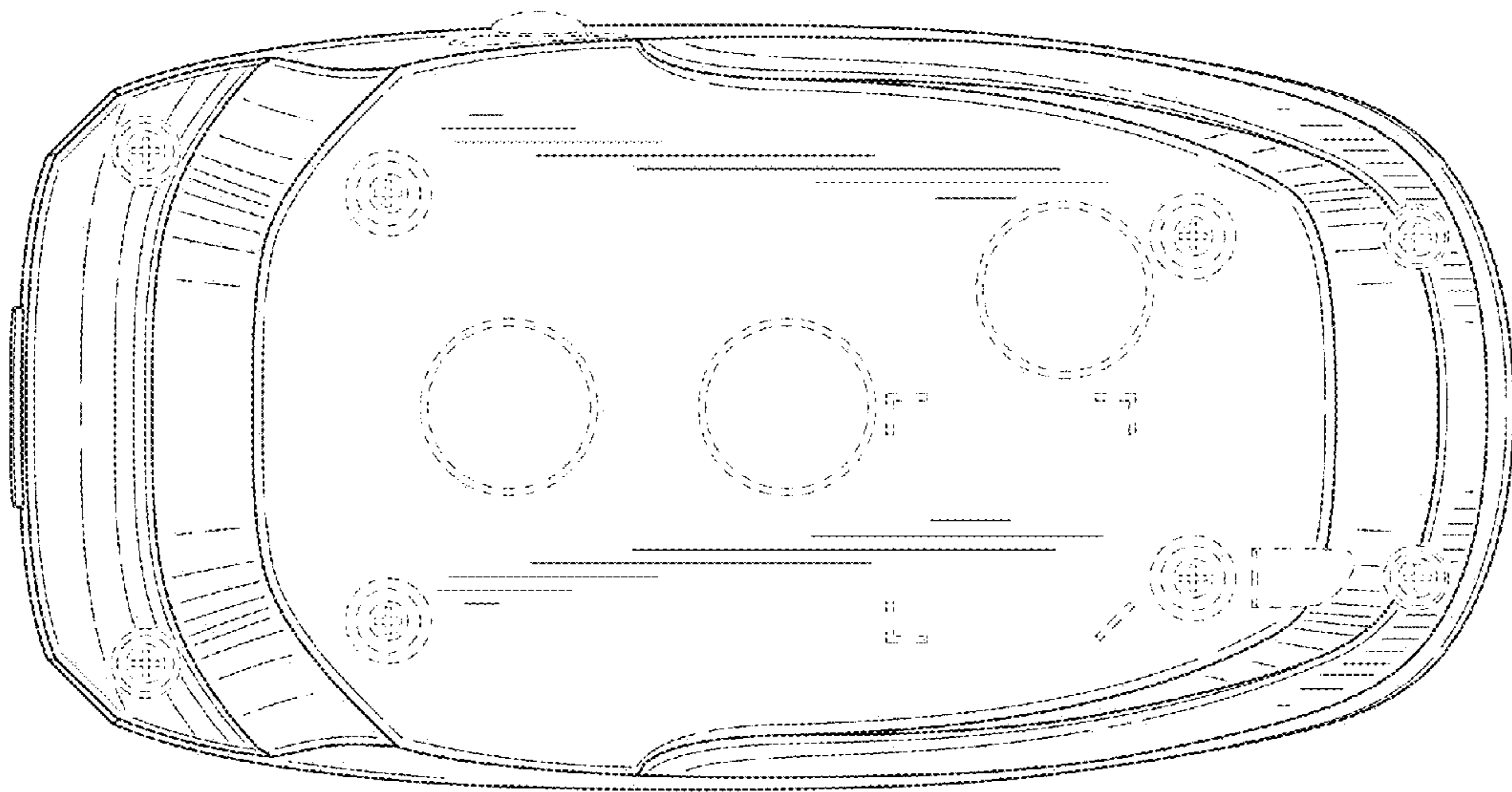


FIG. 3

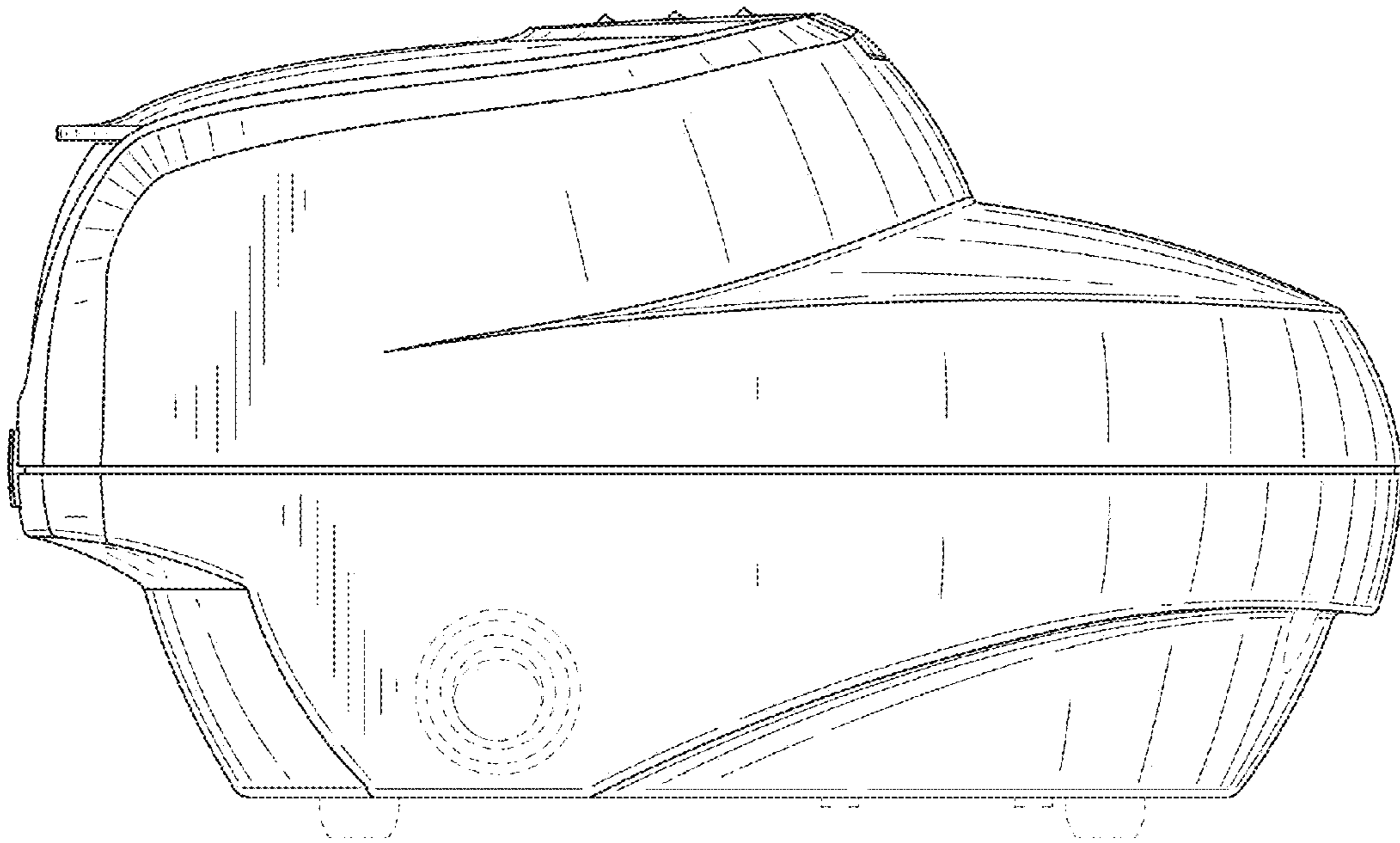


FIG. 4

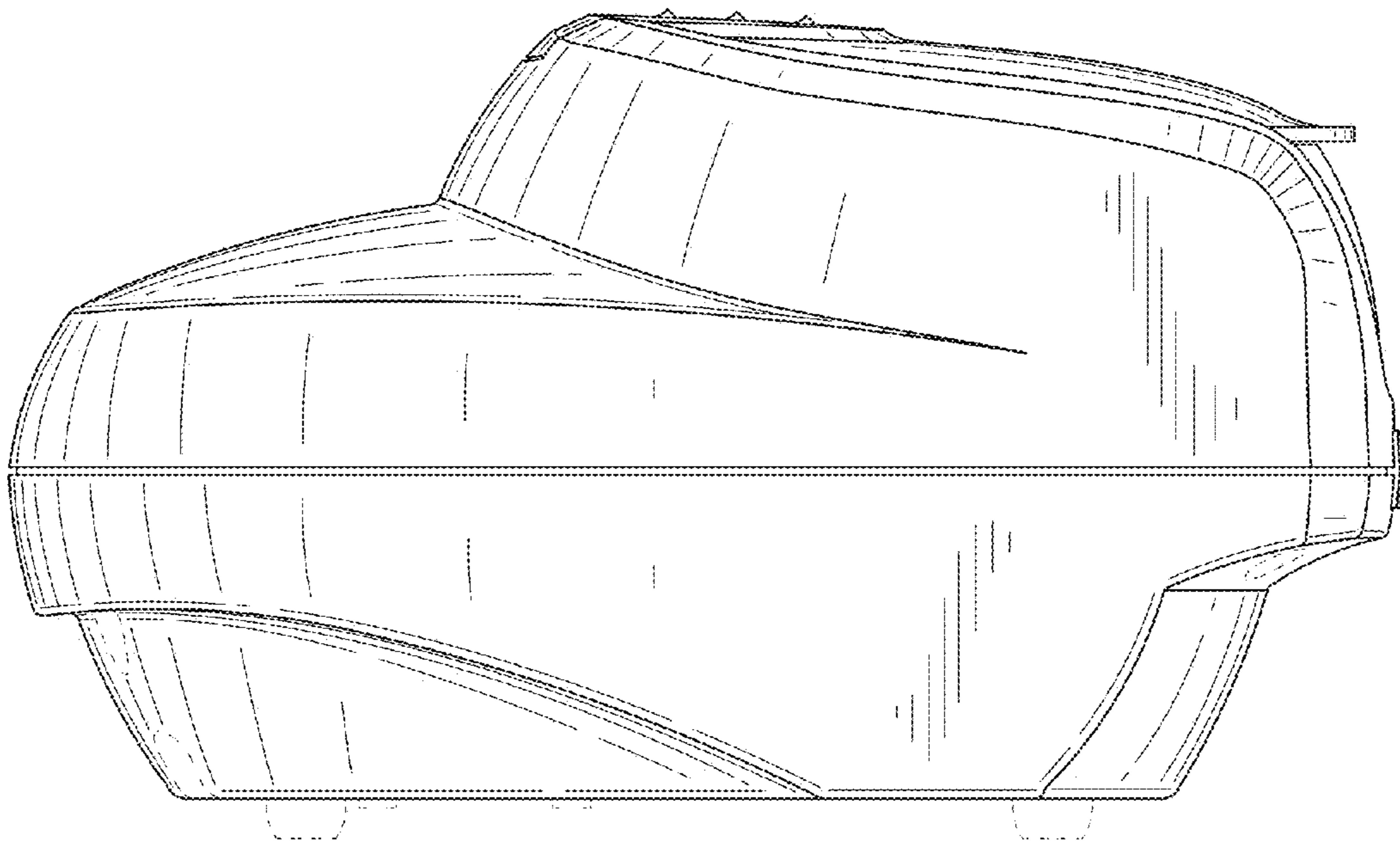


FIG. 5

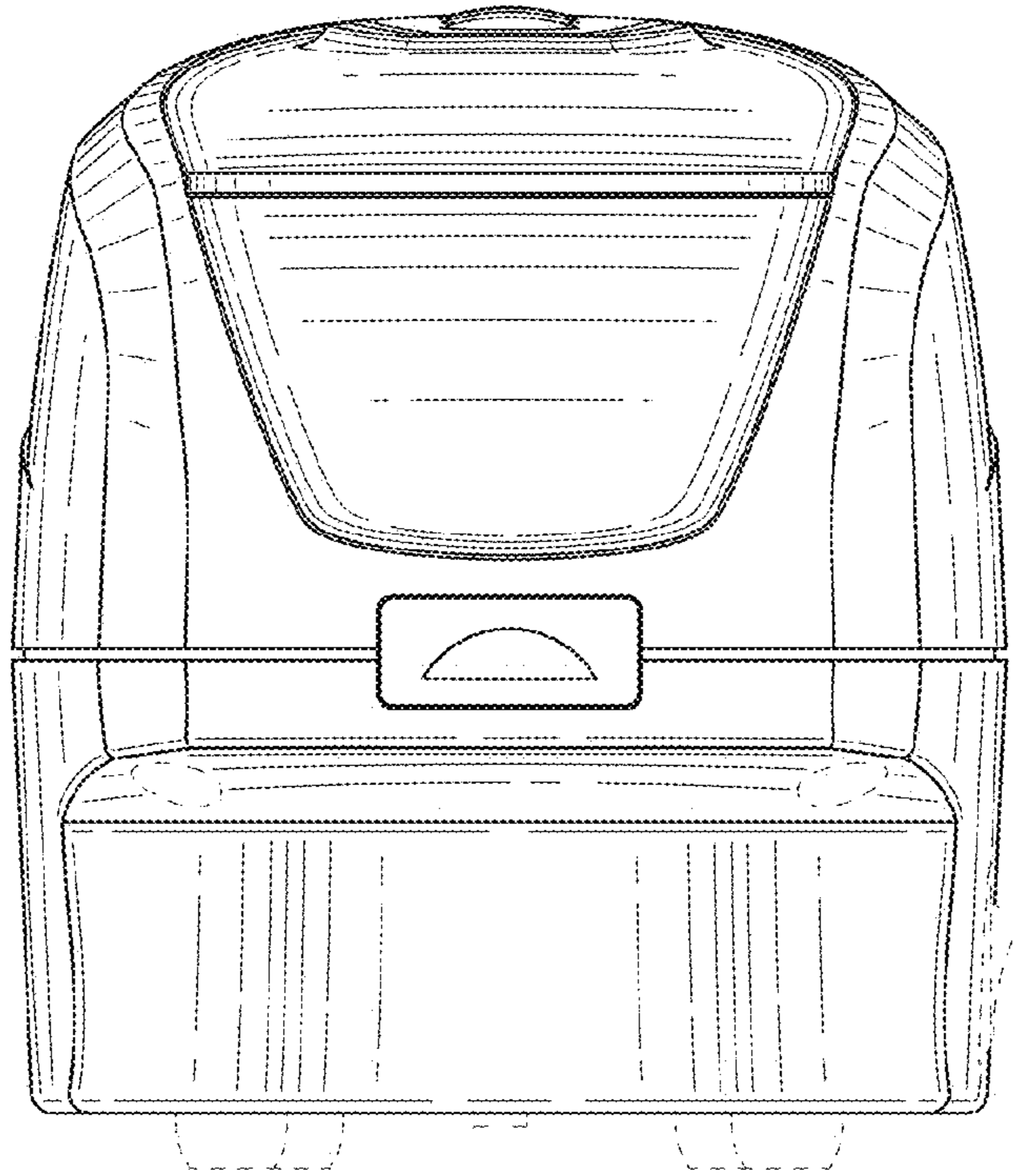


FIG. 6

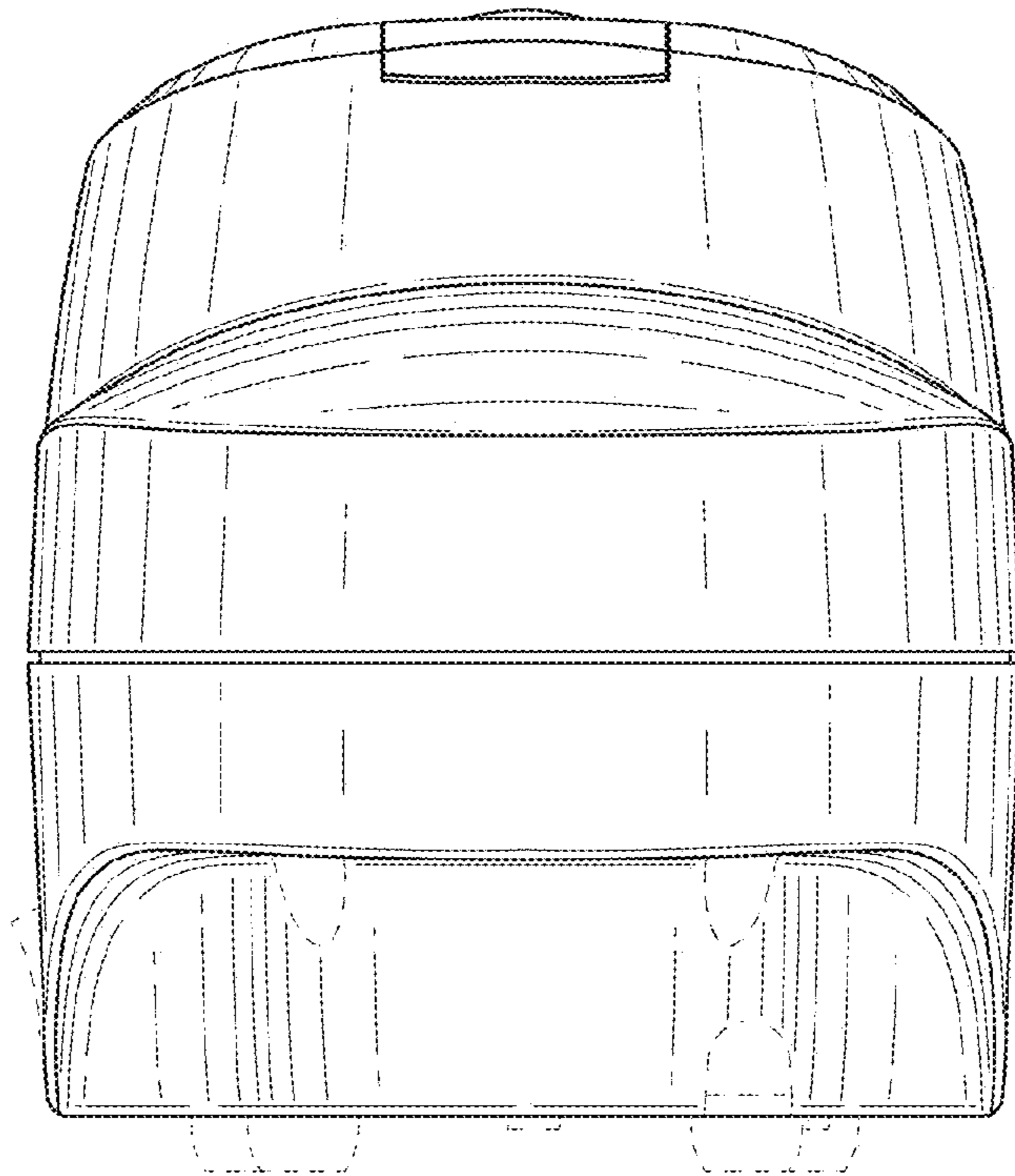


FIG. 7