



US00D749262S

(12) **United States Design Patent**
Schoenfeld

(10) **Patent No.:** **US D749,262 S**
(45) **Date of Patent:** **** Feb. 9, 2016**

(54) **COMBINATION SMOKING AND DRINKING APPARATUS**

(71) Applicant: **Alexander C. Schoenfeld**, Albuquerque, NM (US)

(72) Inventor: **Alexander C. Schoenfeld**, Albuquerque, NM (US)

(**) Term: **14 Years**

(21) Appl. No.: **29/479,417**

(22) Filed: **Jan. 15, 2014**

Related U.S. Application Data

(63) Continuation of application No. 13/329,058, filed on Dec. 16, 2011, now Pat. No. 8,689,802.

(51) **LOC (10) Cl.** **27-02**

(52) **U.S. Cl.**
USPC **D27/165; D7/507; D27/163**

(58) **Field of Classification Search**
USPC D27/162-169, 101, 118, 177-178, 182, D27/188, 192, 194; D7/505-507, 515, 533, D7/623, 619.2; 215/12; 131/178, 180, 186
CPC A24F 3/00
See application file for complete search history.

(56) **References Cited**

U.S. PATENT DOCUMENTS

- 945,973 A * 1/1910 Miles A24F 1/00 131/192
- D241,355 S * 9/1976 Fenster D27/163
- 4,036,240 A * 7/1977 Murray, Jr. A24F 1/30 131/173
- 4,198,993 A 4/1980 Martin et al.
- 4,223,686 A * 9/1980 Murray, Jr. A24F 1/30 131/173
- D275,438 S * 9/1984 Everson D14/208

- 4,928,412 A * 5/1990 Nishiyama A47G 19/2227 40/324
- D364,536 S * 11/1995 Law D7/515
- 5,745,565 A * 4/1998 Wakefield B60N 3/103 224/926
- D406,985 S * 3/1999 Trombly D7/533
- D442,736 S * 5/2001 McGilvray D27/118
- 6,505,752 B1 1/2003 Rolfes et al.
- D475,244 S * 6/2003 Trombly D7/533
- D502,056 S * 2/2005 Bakti D7/507
- D507,153 S * 7/2005 Trombly D7/533
- D596,463 S * 7/2009 Poindexter D7/509
- D613,121 S * 4/2010 Luft D7/533
- 8,689,802 B2 * 4/2014 Schoenfeld A24F 3/00 131/178
- 2012/0152263 A1 * 6/2012 Schoenfeld A47G 19/2205 131/186
- 2013/0239982 A1 * 9/2013 Meyer A24F 13/00 131/328

* cited by examiner

Primary Examiner — Susan Bennett Hattan

Assistant Examiner — Janice Hallmark

(74) *Attorney, Agent, or Firm* — Lowry Blixseth LLP; Scott M. Lowry

(57) **CLAIM**

The ornamental design for a combination smoking and drinking apparatus, as shown.

DESCRIPTION

FIG. 1 is a perspective view showing the front, top and left sides thereof;

FIG. 2 is a front elevation view thereof;

FIG. 3 is a left side elevation view thereof;

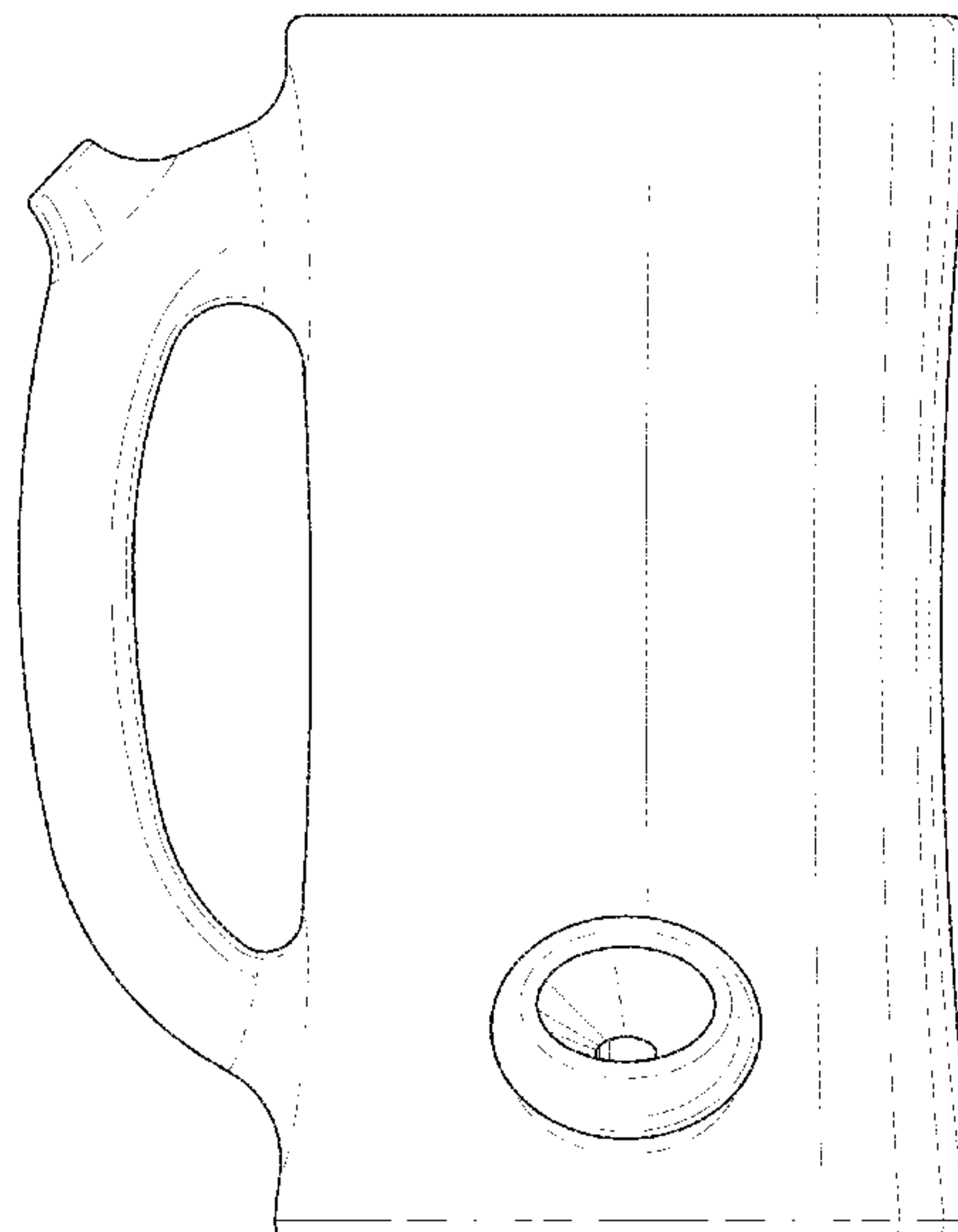
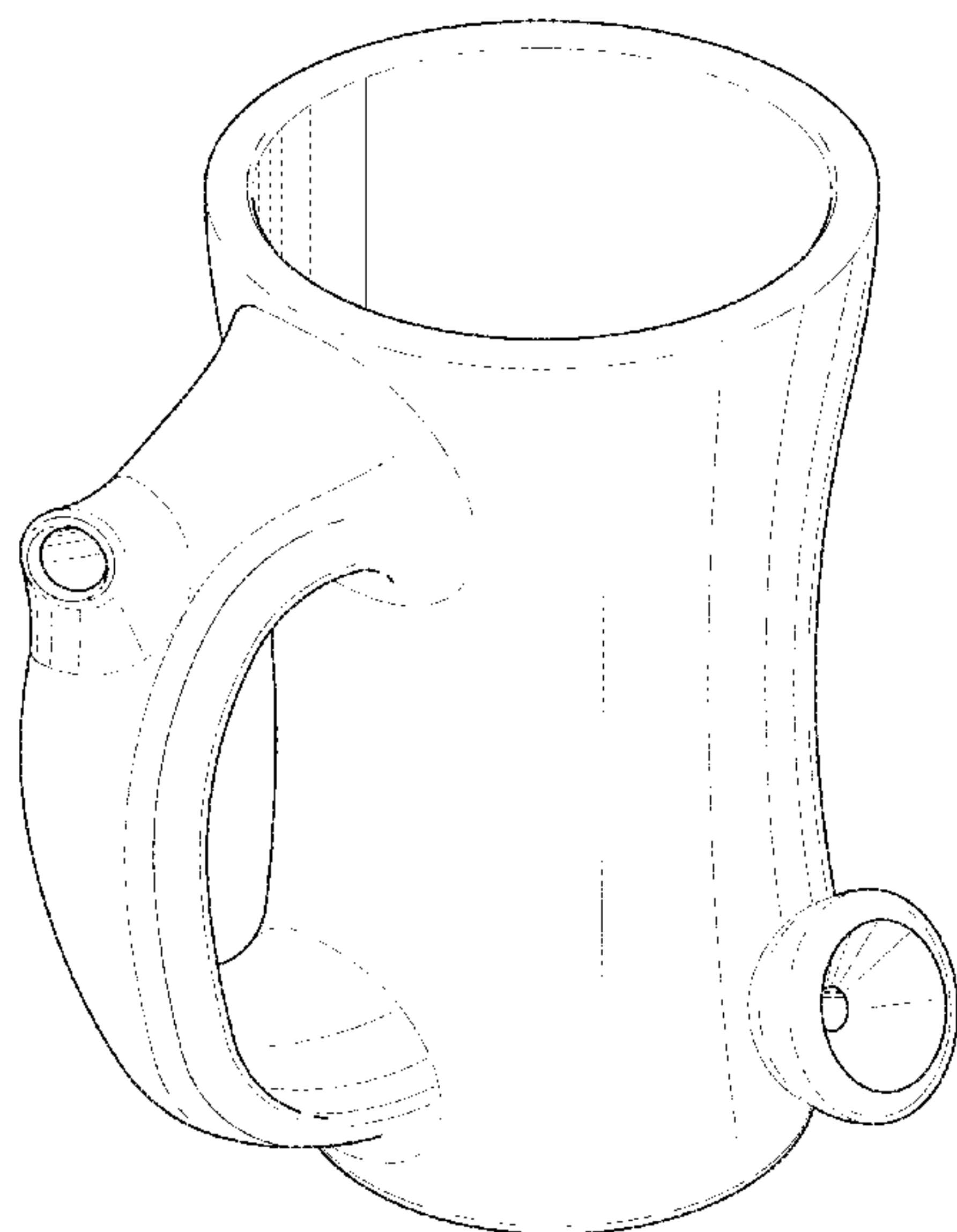
FIG. 4 is a right side elevation view thereof;

FIG. 5 is a rear side elevation view thereof;

FIG. 6 is a top plan view thereof; and,

FIG. 7 is a bottom plan view thereof.

1 Claim, 7 Drawing Sheets



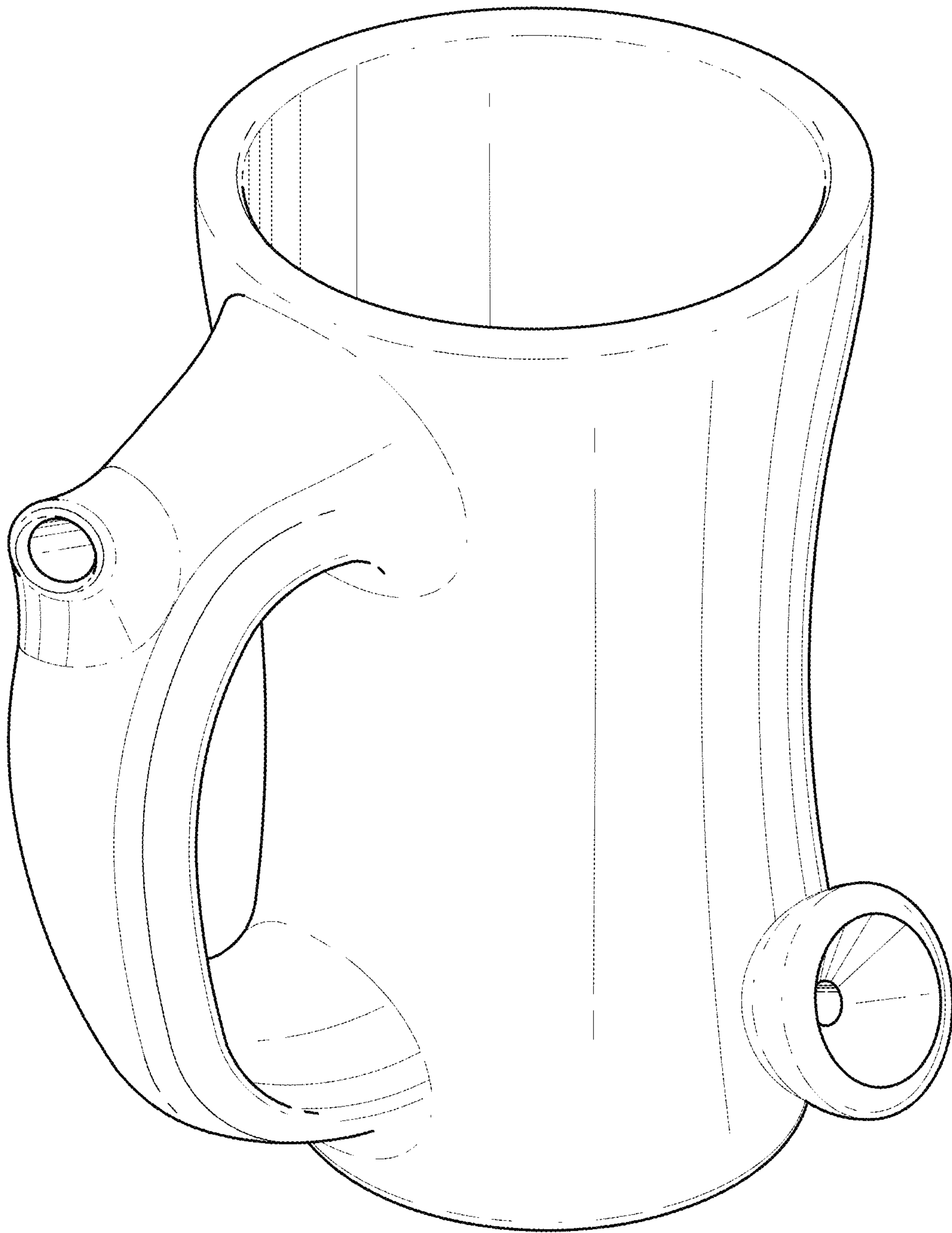


FIG. 1

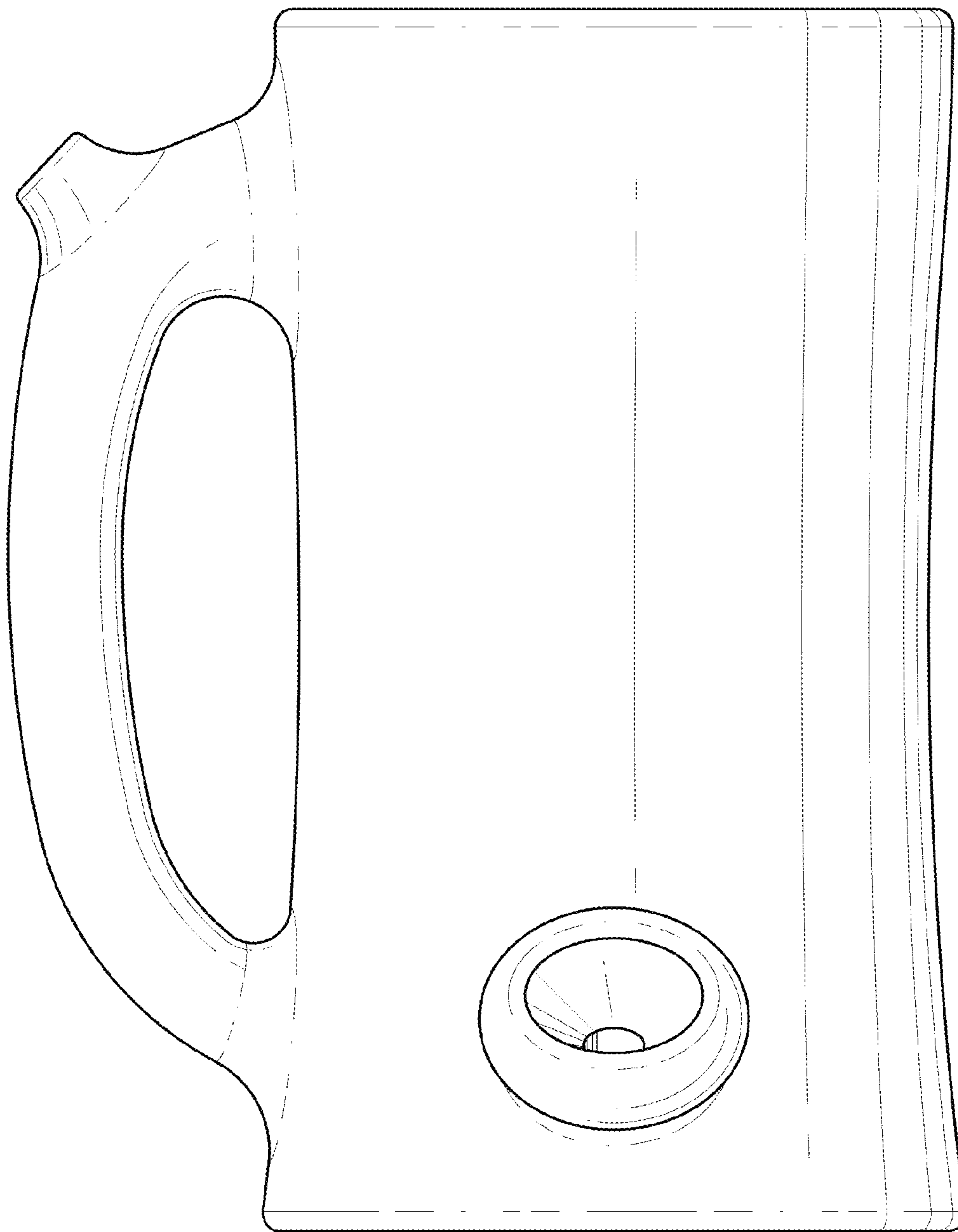


FIG. 2

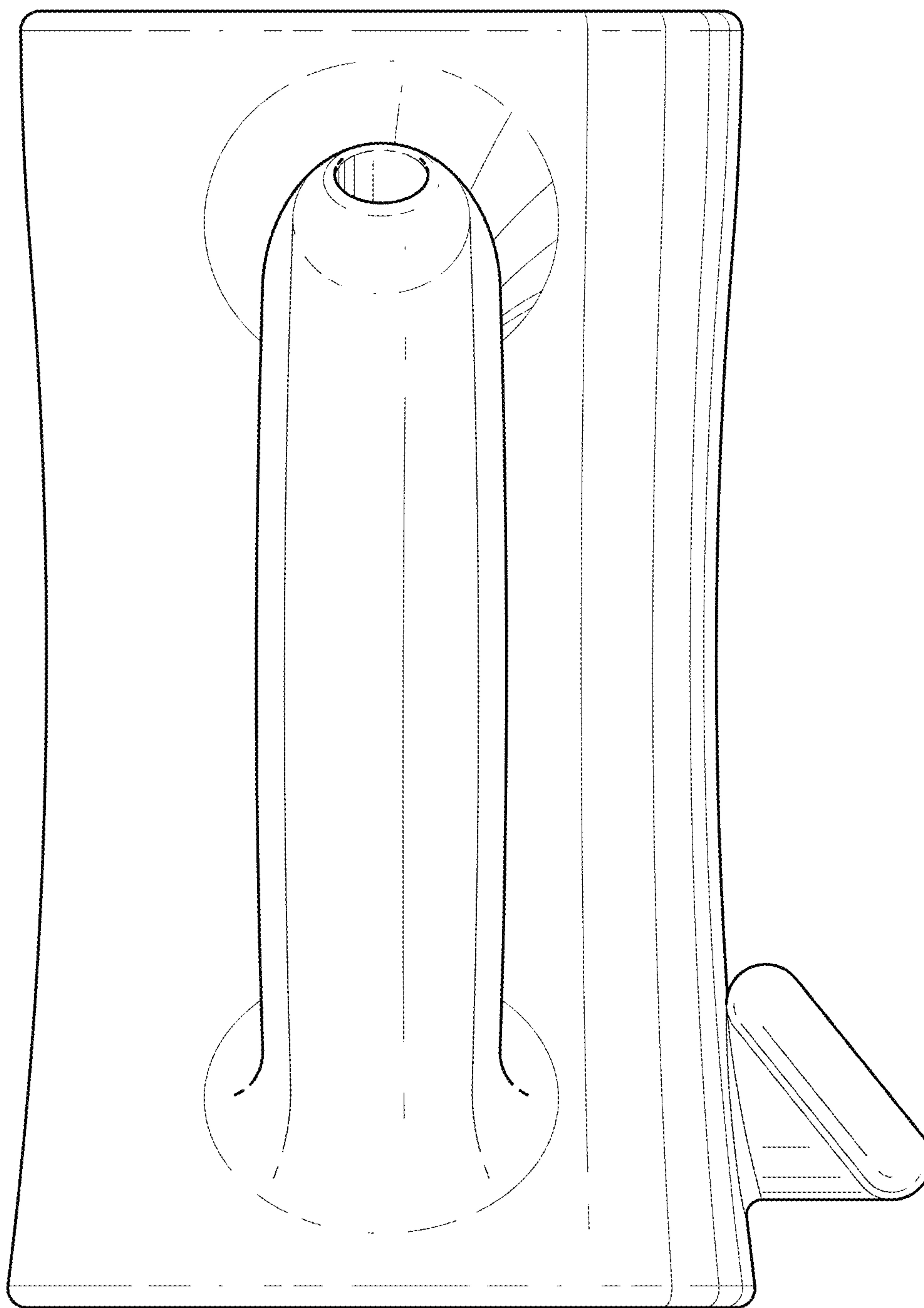


FIG. 3

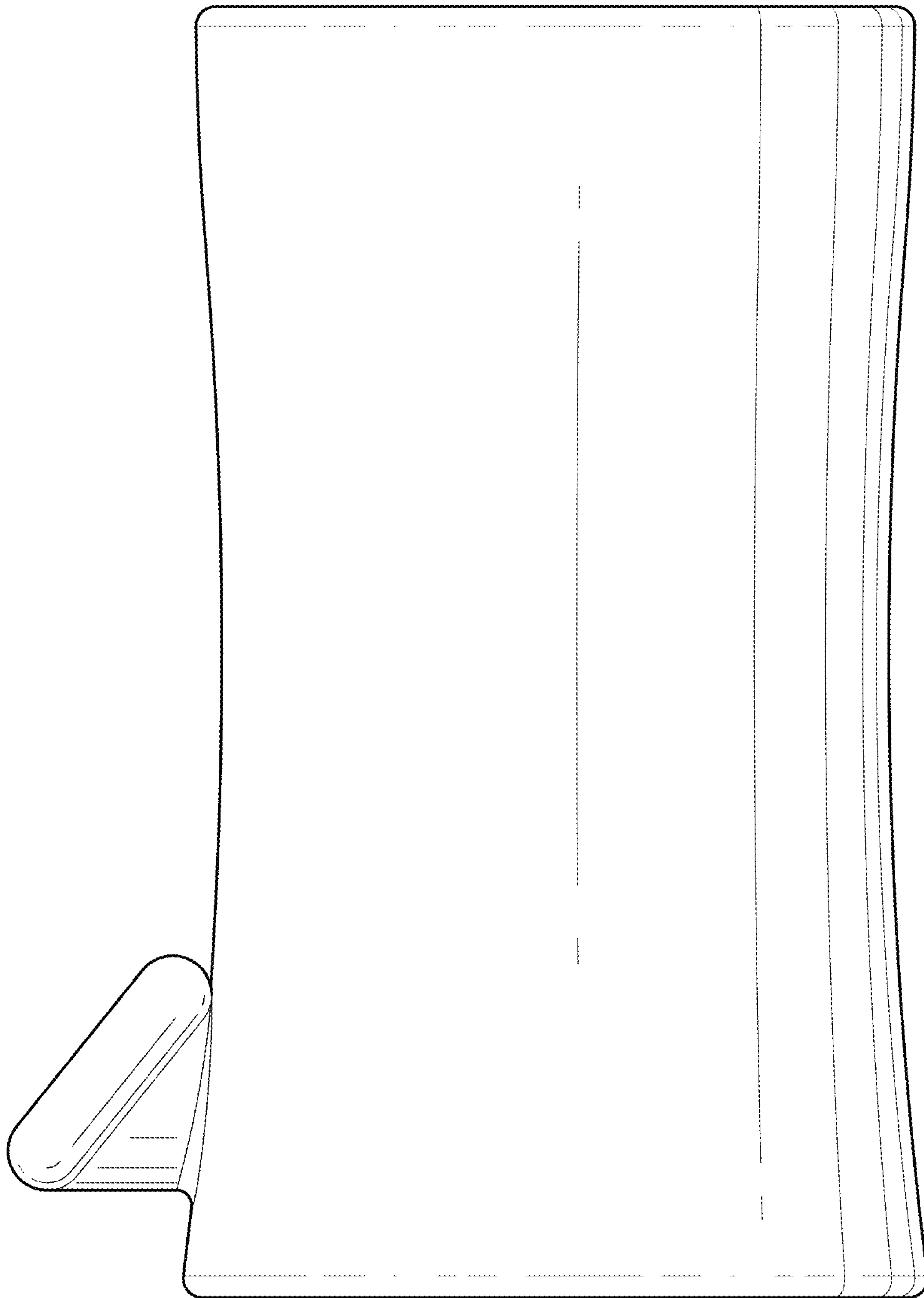


FIG. 4

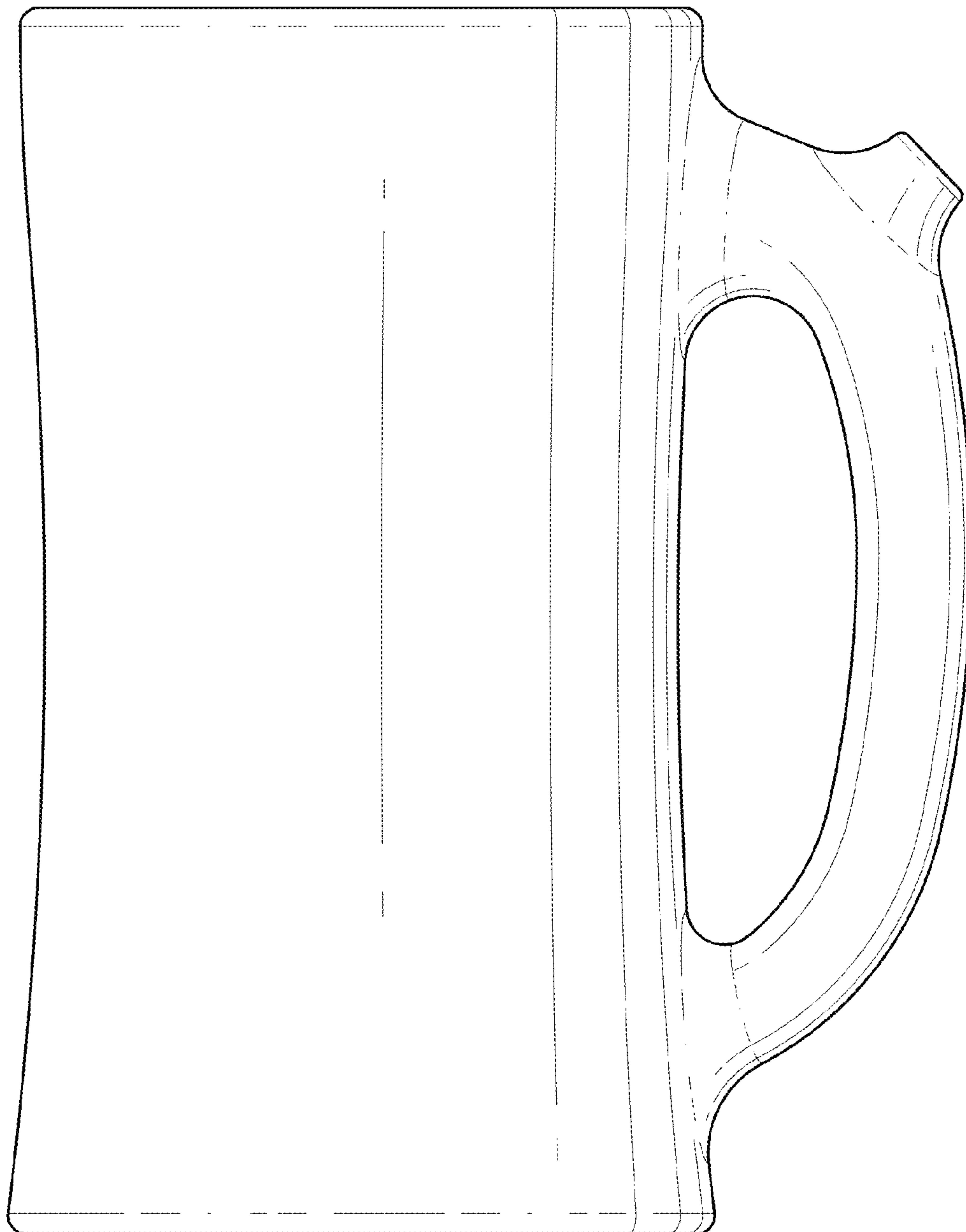


FIG. 5

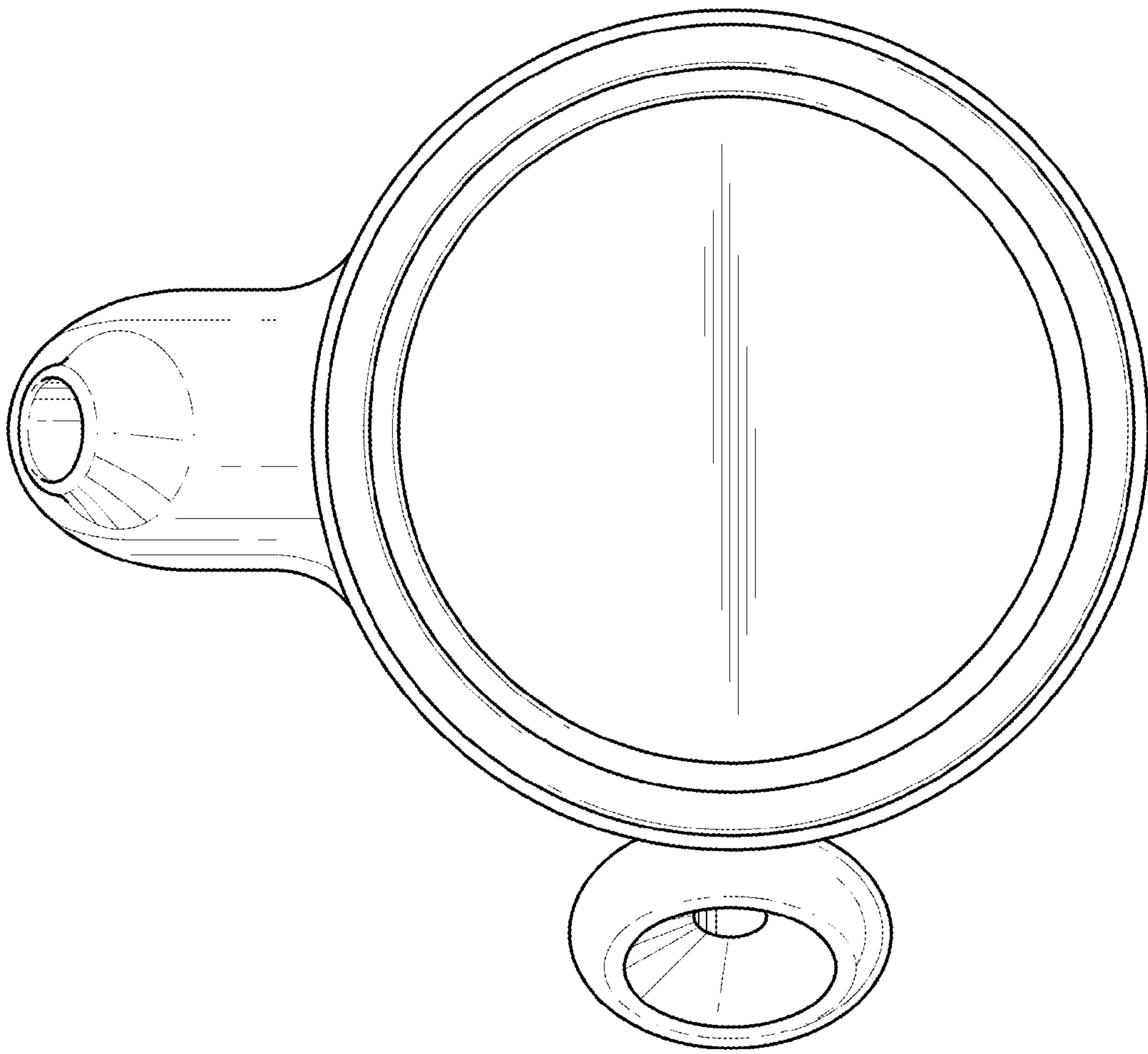


FIG. 6

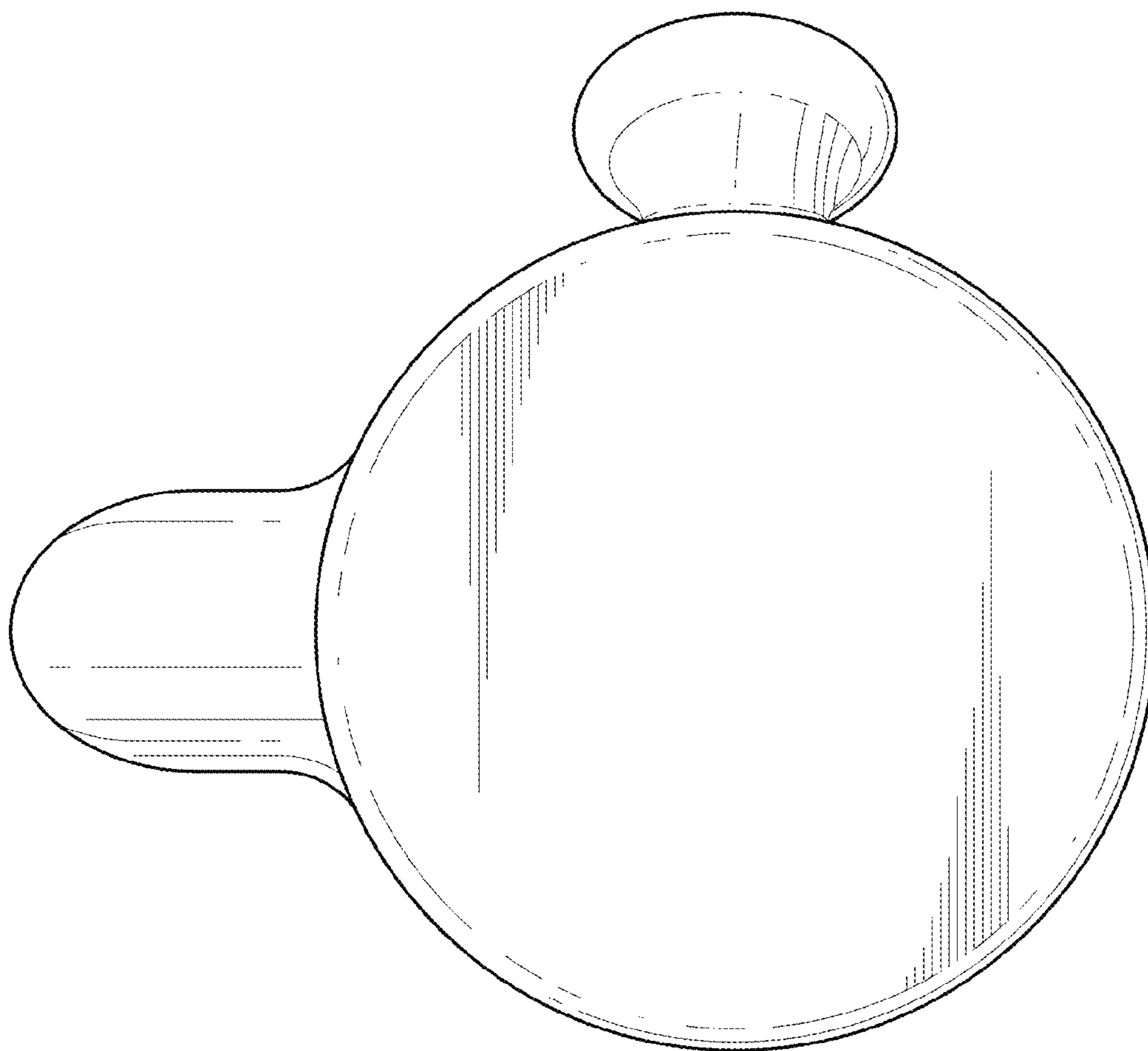


FIG. 7