



US00D749261S

(12) **United States Design Patent**  
**Chen**

(10) **Patent No.:** **US D749,261 S**

(45) **Date of Patent:** **\*\* Feb. 9, 2016**

(54) **ELECTRONIC CIGARETTE ATOMIZER**  
(71) Applicant: **Shenzhen Smoore Technology Limited**,  
Shenzhen, Guangdong (CN)  
(72) Inventor: **Zhiping Chen**, Shenzhen (CN)  
(73) Assignee: **SHENZHEN SMOORE**  
**TECHNOLOGY LIMITED**, Shenzhen  
(CN)

(\*\*) Term: **14 Years**

(21) Appl. No.: **29/512,776**

(22) Filed: **Dec. 22, 2014**

(30) **Foreign Application Priority Data**

Oct. 14, 2014 (CN) ..... 2014 3 0387305

(51) **LOC (10) Cl.** ..... **27-02**

(52) **U.S. Cl.**  
USPC ..... **D27/162**

(58) **Field of Classification Search**  
USPC ..... D27/162-169, 101; 131/173, 178, 214,  
131/222, 226, 329, 330; 215/370; D9/500,  
D9/516, 519, 557, 558; D23/360, 366;  
D7/503, 507  
CPC ..... A24F 1/00; A24F 1/30; A24F 1/32;  
A24F 3/00; A24F 5/00; A24F 7/00; A24F  
9/00; A24F 9/14

See application file for complete search history.

(56) **References Cited**

**U.S. PATENT DOCUMENTS**

D231,640 S \* 5/1974 Kahler ..... D27/162  
D233,863 S \* 12/1974 Keidl ..... D27/162  
3,959,642 A \* 5/1976 Turro ..... F21V 33/0004  
362/92  
D249,070 S \* 8/1978 Evans ..... D27/162  
D249,282 S \* 9/1978 Nielsen ..... D27/162

4,171,703 A \* 10/1979 Locke ..... A24F 5/00  
131/173  
4,203,455 A \* 5/1980 Byrd, Jr. .... A24F 1/30  
131/173  
4,216,785 A \* 8/1980 Erickson ..... A24F 1/30  
131/173  
D265,595 S \* 7/1982 Galanter ..... D27/162  
D342,805 S \* 12/1993 Heine ..... D27/162  
5,400,807 A \* 3/1995 Newman ..... A24F 1/30  
131/173  
D368,551 S \* 4/1996 Richards ..... D27/162  
6,601,586 B2 \* 8/2003 Herrick ..... A24F 3/00  
131/175  
D655,036 S \* 2/2012 Zhou ..... D27/101  
D720,499 S \* 12/2014 Alima ..... D27/167  
2014/0109921 A1 \* 4/2014 Chen ..... A24F 47/008  
131/273  
2014/0216483 A1 \* 8/2014 Alima ..... A24F 47/008  
131/329  
2015/0090280 A1 \* 4/2015 Chen ..... A24F 47/008  
131/329

\* cited by examiner

*Primary Examiner* — Elizabeth Albert

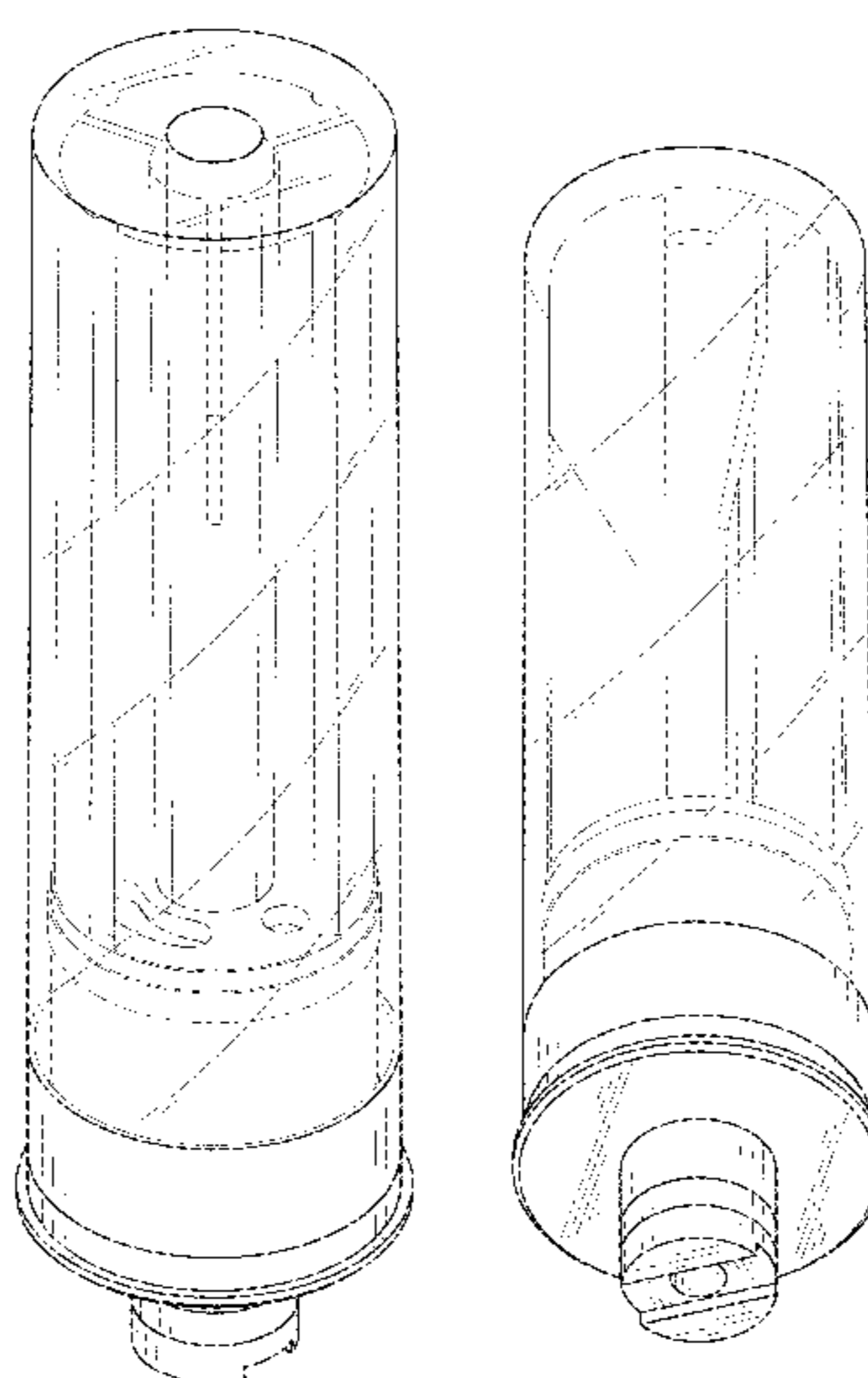
(57) **CLAIM**

The ornamental design for an electronic cigarette atomizer, as shown and described.

**DESCRIPTION**

FIG. 1 is a front elevational view of an electronic cigarette atomizer showing my new design;  
FIG. 2 is a rear elevational view thereof;  
FIG. 3 is a left side view thereof;  
FIG. 4 is a right side view thereof;  
FIG. 5 is a top plan view thereof;  
FIG. 6 is a bottom plan view thereof;  
FIG. 7 is a first perspective view thereof; and,  
FIG. 8 is a second perspective view thereof.  
The broken lines in FIGS. 5 and 7 are included to show features that form no part of the claimed design.

**1 Claim, 8 Drawing Sheets**



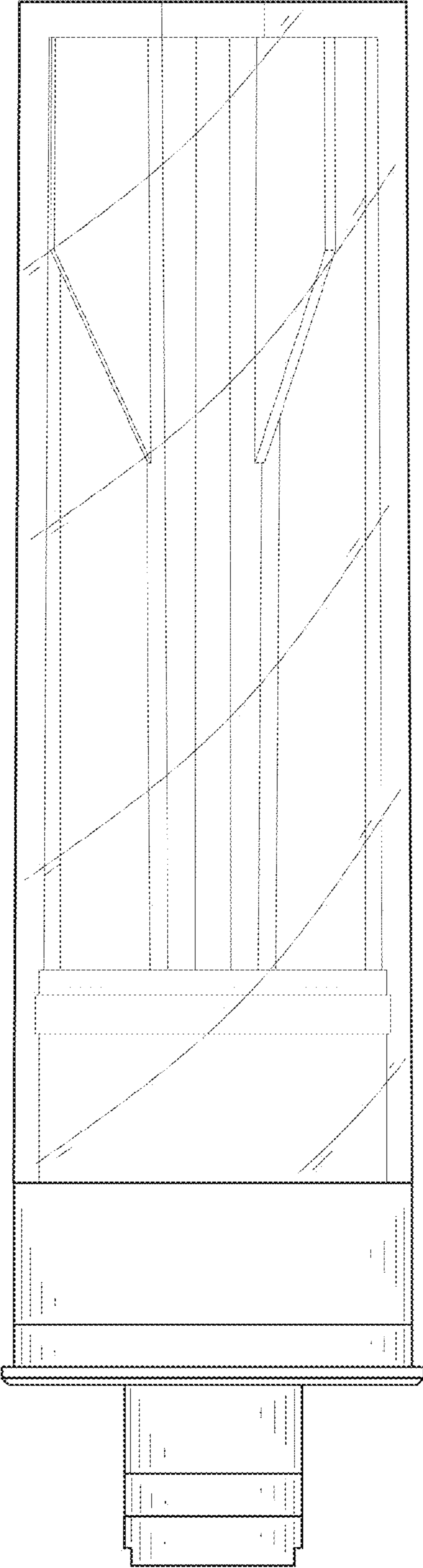


FIG. 1

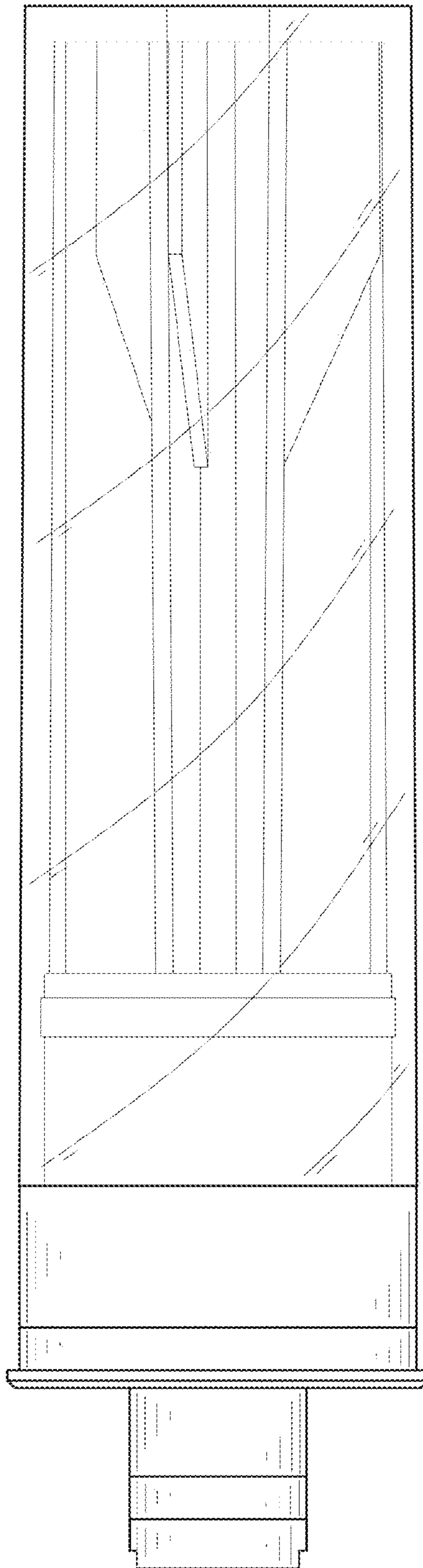


FIG. 2

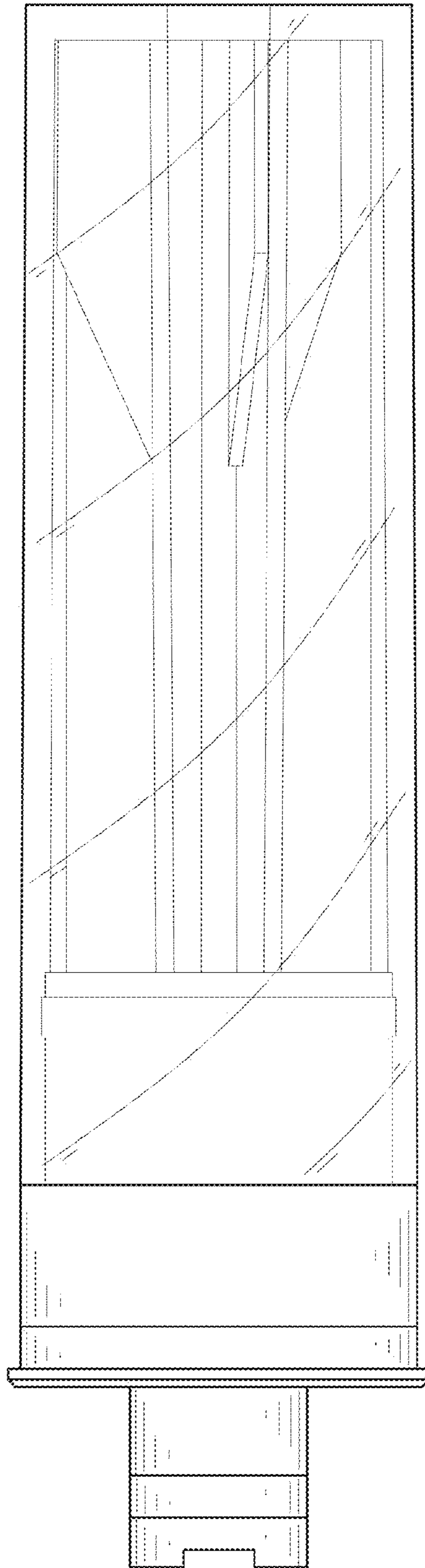


FIG. 3

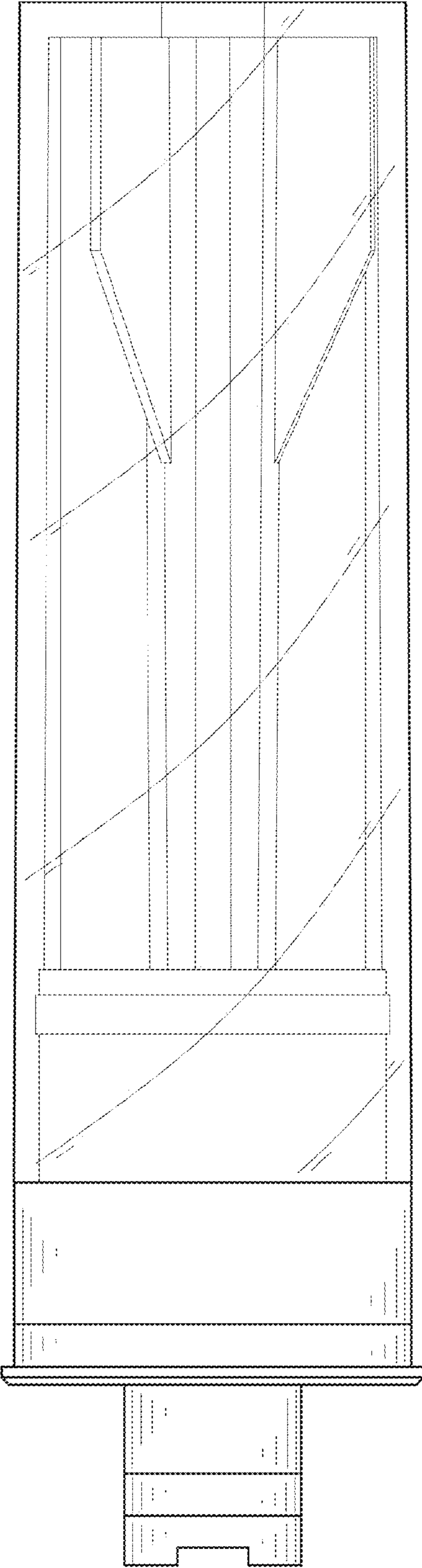


FIG. 4

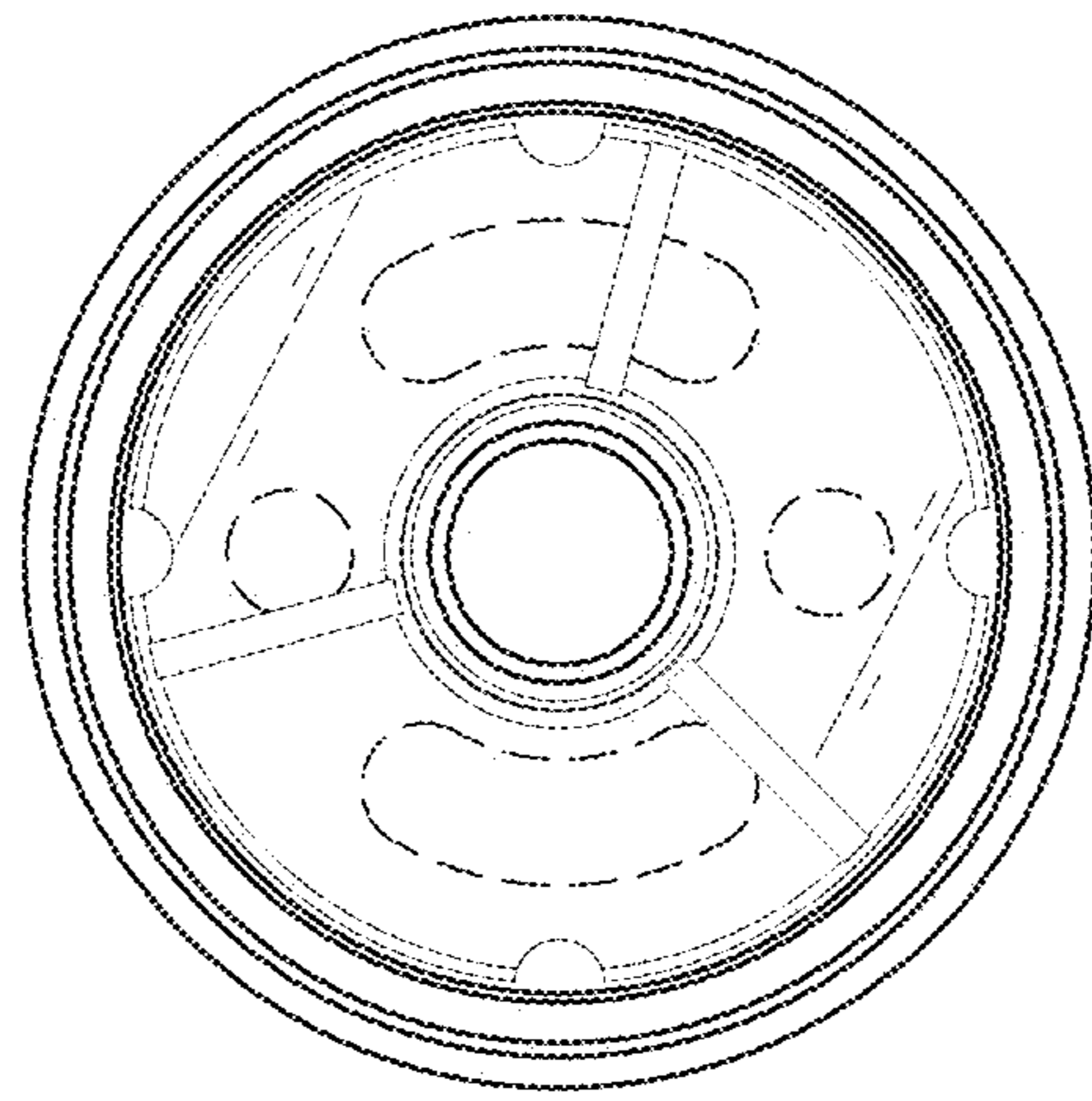


FIG. 5

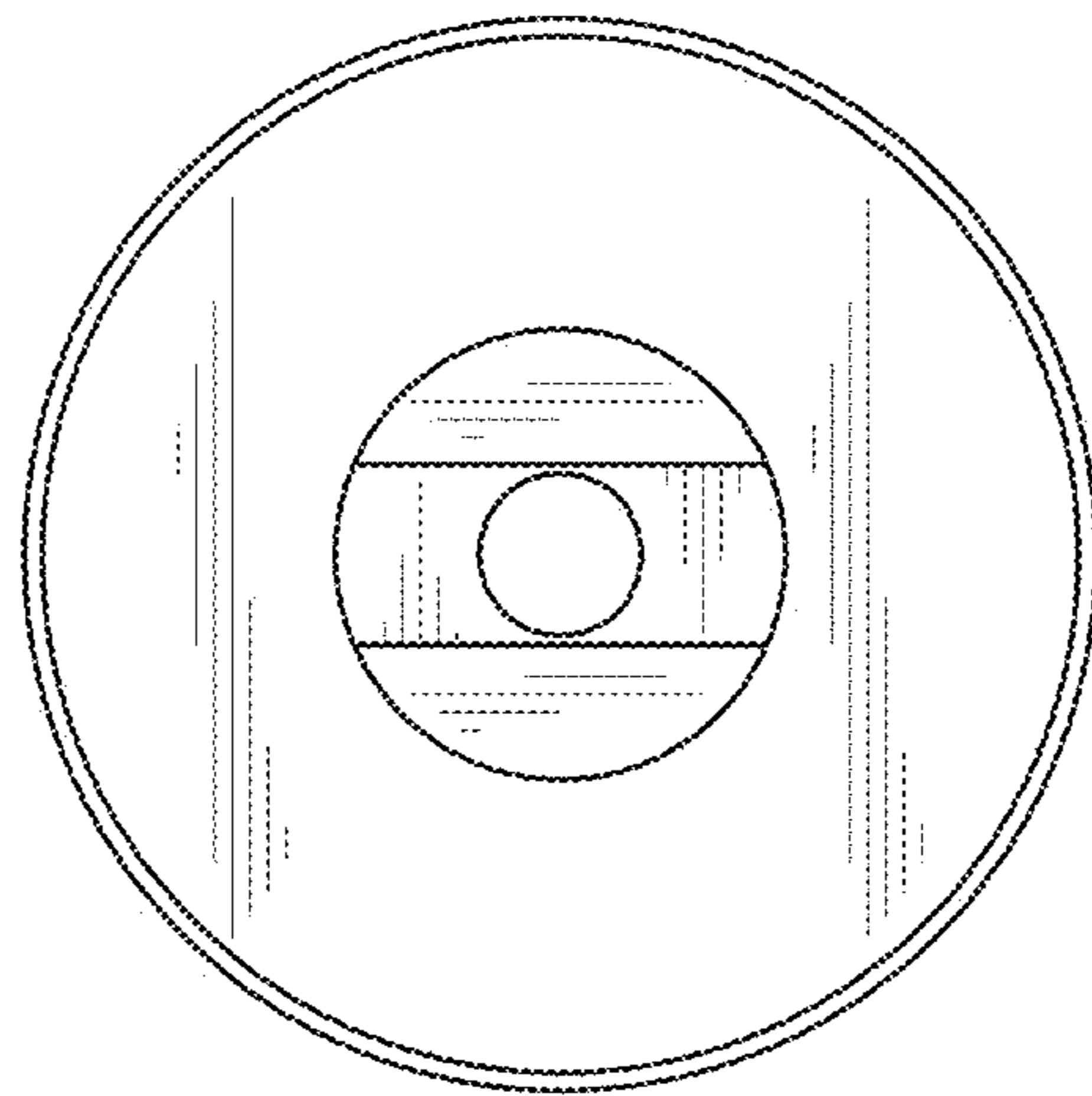


FIG. 6

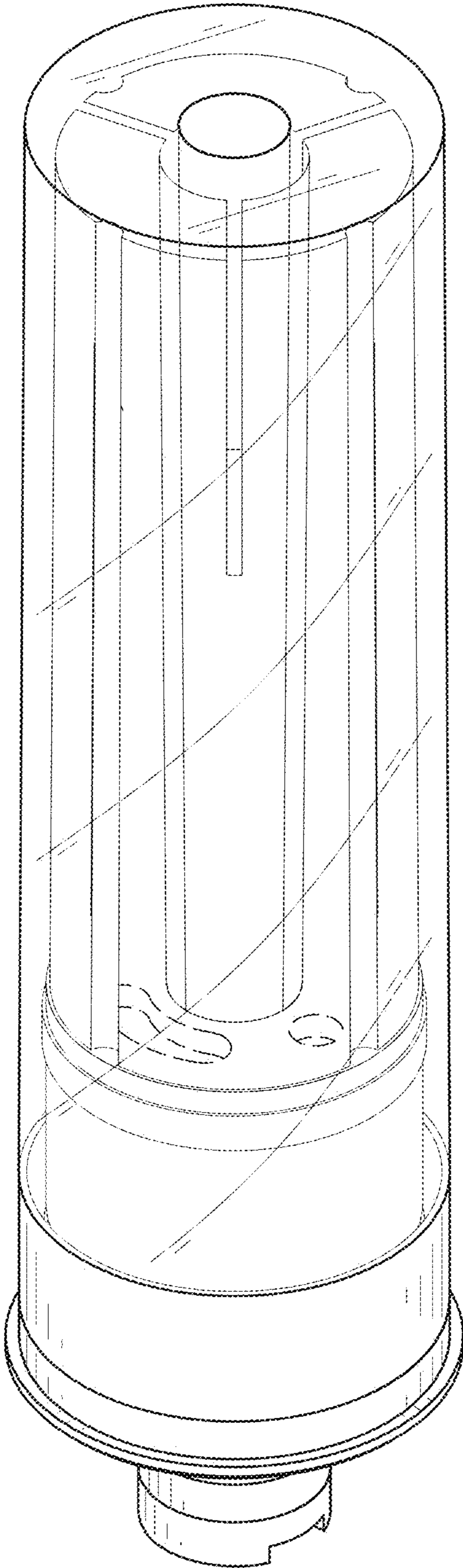


FIG. 7



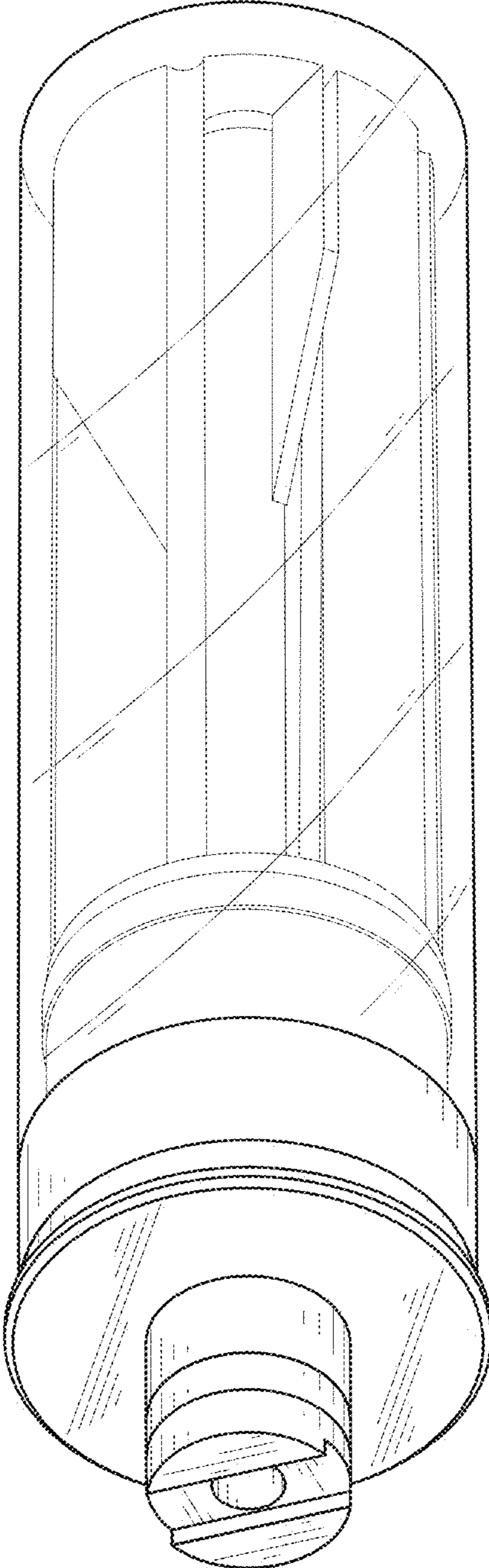


FIG. 8