



US00D749260S

(12) **United States Design Patent**  
**Wu**

(10) **Patent No.:** **US D749,260 S**  
(45) **Date of Patent:** **\*\* Feb. 9, 2016**

(54) **ELECTRONIC CIGARETTE**

(71) Applicant: **SHENZHEN JIESHIBO TECHNOLOGY CO., LTD.**,  
Guangdong (CN)

(72) Inventor: **Jianyong Wu**, Guangdong (CN)

(\*\*) Term: **14 Years**

(21) Appl. No.: **29/512,464**

(22) Filed: **Dec. 19, 2014**

(51) **LOC (10) Cl.** ..... **27-01**

(52) **U.S. Cl.**  
USPC ..... **D27/101**

(58) **Field of Classification Search**  
USPC ..... D27/101, 162, 163, 167; D24/110;  
D23/360; D19/115, 122, 159, 163,  
D19/178; D14/411  
CPC ..... A61M 15/00; A61M 15/06; A24F 47/00;  
A24F 47/002; A24F 47/004; A24F 27/006;  
A24F 47/008

See application file for complete search history.

(56) **References Cited**

**U.S. PATENT DOCUMENTS**

D653,803 S *	2/2012	Timmermans	.....	D27/163
D657,046 S *	4/2012	Terry	.....	D24/110
D657,047 S *	4/2012	Minskoff	.....	D24/110
D682,275 S *	5/2013	Nakata	.....	D14/411
D682,276 S *	5/2013	Nakata	.....	D14/411
D687,181 S *	7/2013	Goch	.....	D27/101
D688,416 S *	8/2013	Liu	.....	D27/101
D724,779 S *	3/2015	Liu	.....	D27/101
D724,780 S *	3/2015	Wu	.....	D27/101
D725,113 S *	3/2015	Roskopp	.....	D14/411
D725,821 S *	3/2015	Levin	.....	D27/101
D725,822 S *	3/2015	Liu	.....	D27/101
D729,440 S *	5/2015	Liu	.....	D27/101
D730,571 S *	5/2015	Chen	.....	D27/101

D739,979 S *	9/2015	Smith	.....	D27/163
2005/0016550 A1 *	1/2005	Katase	.....	A24F 47/002 131/194
2008/0023003 A1 *	1/2008	Rosenthal	.....	A61M 11/041 128/203.26
2013/0340779 A1 *	12/2013	Liu	.....	A24F 47/002 131/329
2015/0181944 A1 *	7/2015	Li	.....	A24F 47/008 131/329

\* cited by examiner

*Primary Examiner* — Susan Bennett Hattan

*Assistant Examiner* — Janice Hallmark

(74) *Attorney, Agent, or Firm* — Prakash Nama; Global IP Services, PLLC

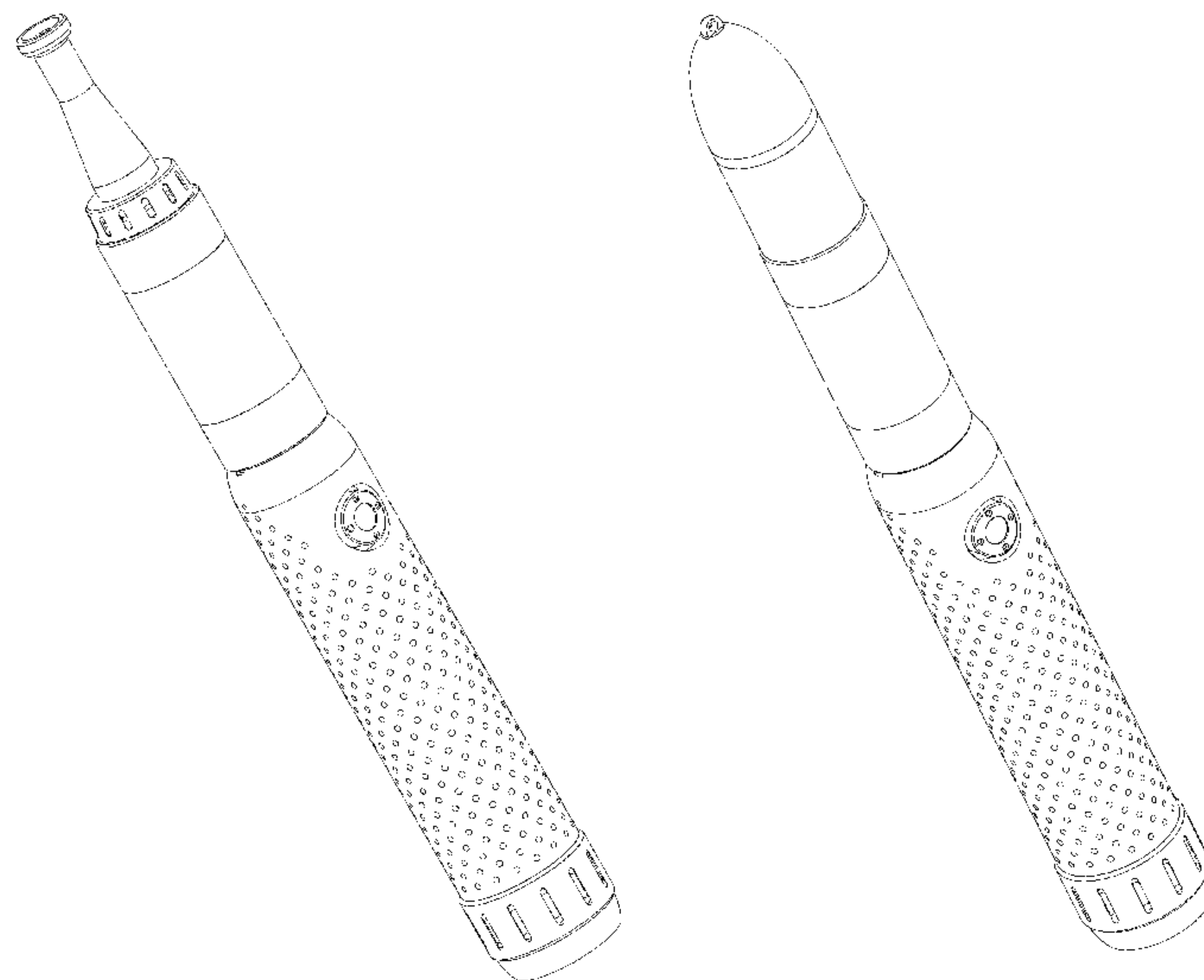
(57) **CLAIM**

The ornamental design for an electronic cigarette, as shown and described.

**DESCRIPTION**

FIG. 1 is a front elevational view of an electronic cigarette showing my new design with the cap portion removed; FIG. 2 is a rear elevational view thereof; FIG. 3 is a left side view thereof; FIG. 4 is a right side view thereof; FIG. 5 is a top plan view thereof; FIG. 6 is a bottom plan view thereof; FIG. 7 is a perspective view thereof; FIG. 8 is another perspective view thereof; FIG. 9 is a front view of the electronic cigarette with the cap portion attached; FIG. 10 is a rear elevational view thereof; FIG. 11 is a left side view thereof; FIG. 12 is a right side view thereof; FIG. 13 is a top plan view thereof; FIG. 14 is a bottom plan view thereof; FIG. 15 is a perspective view thereof; and, FIG. 16 is another perspective view thereof.

**1 Claim, 8 Drawing Sheets**



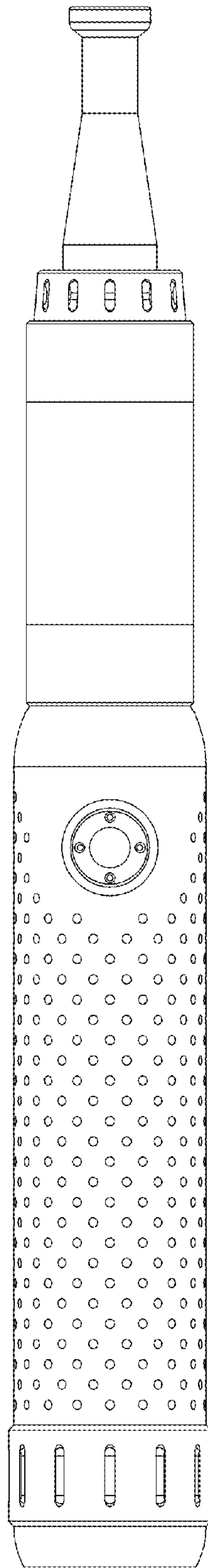


FIG. 1

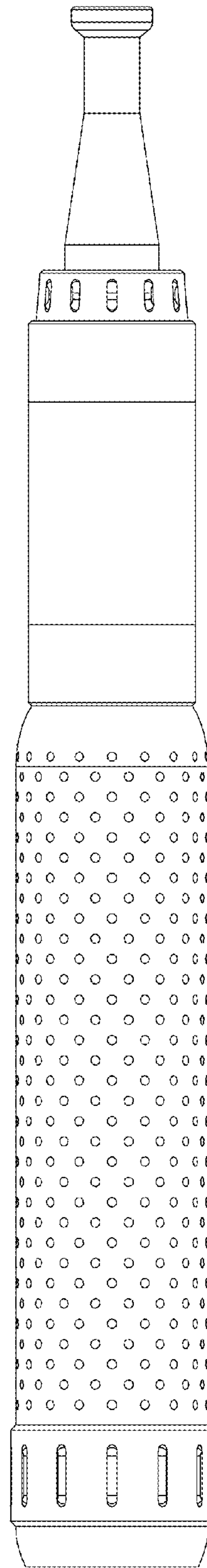


FIG. 2

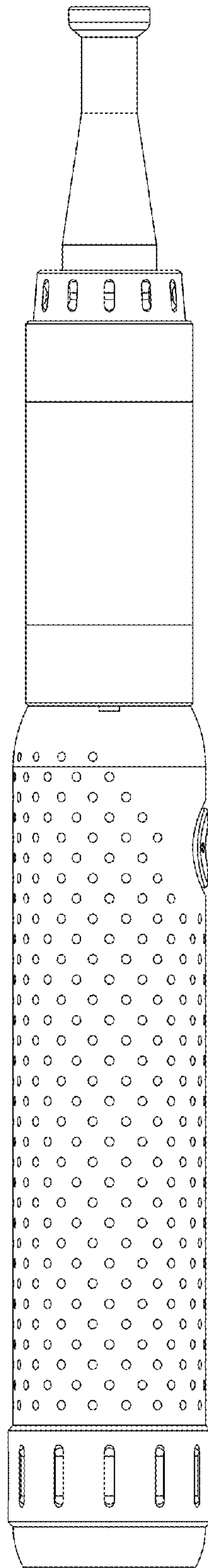


FIG. 3

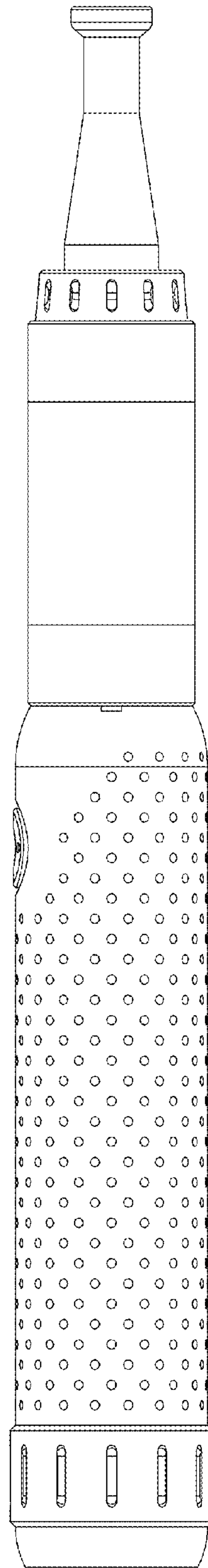


FIG. 4

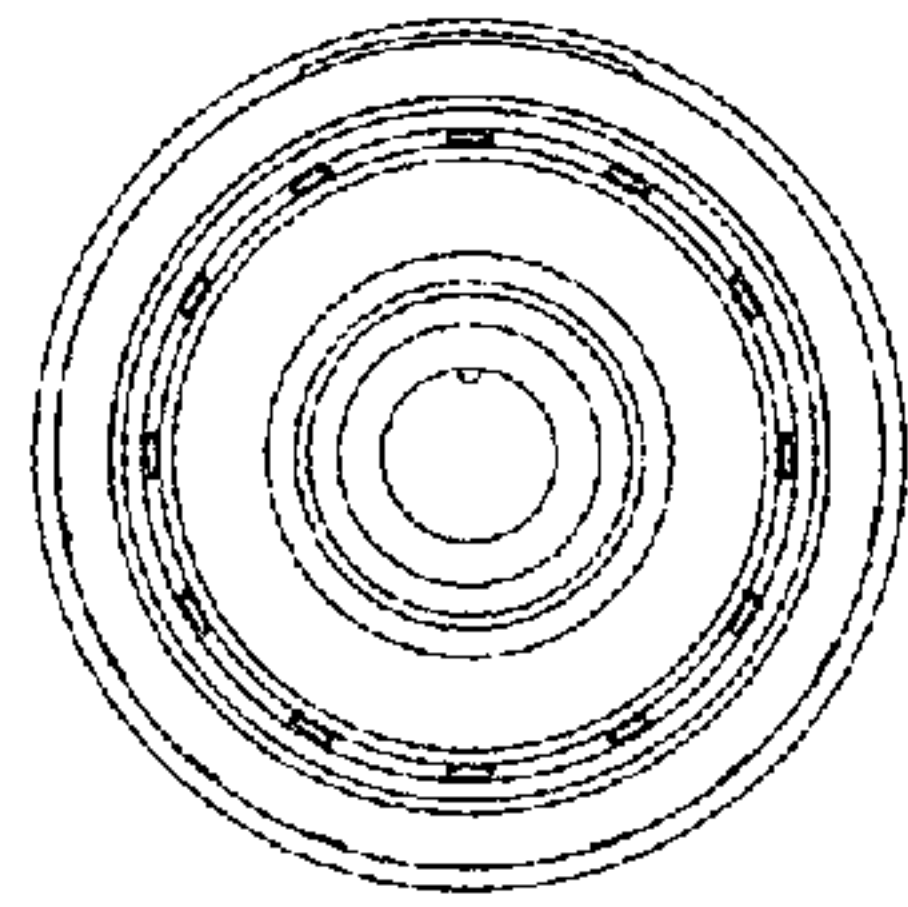


FIG. 5

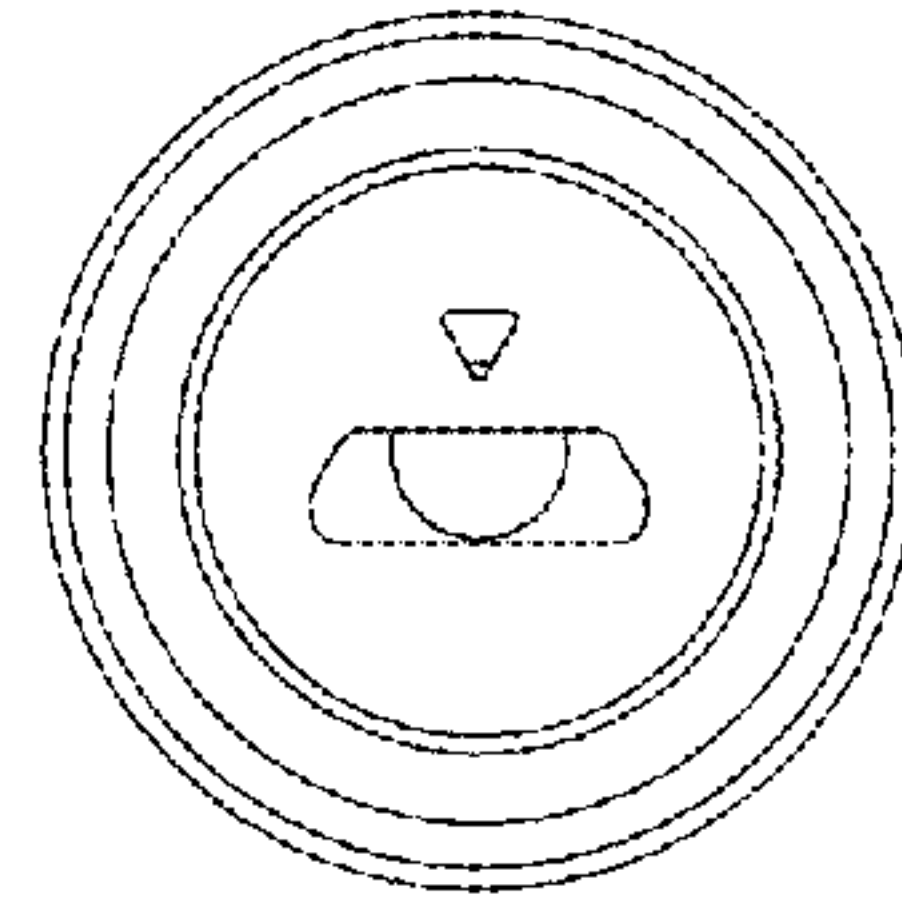


FIG. 6

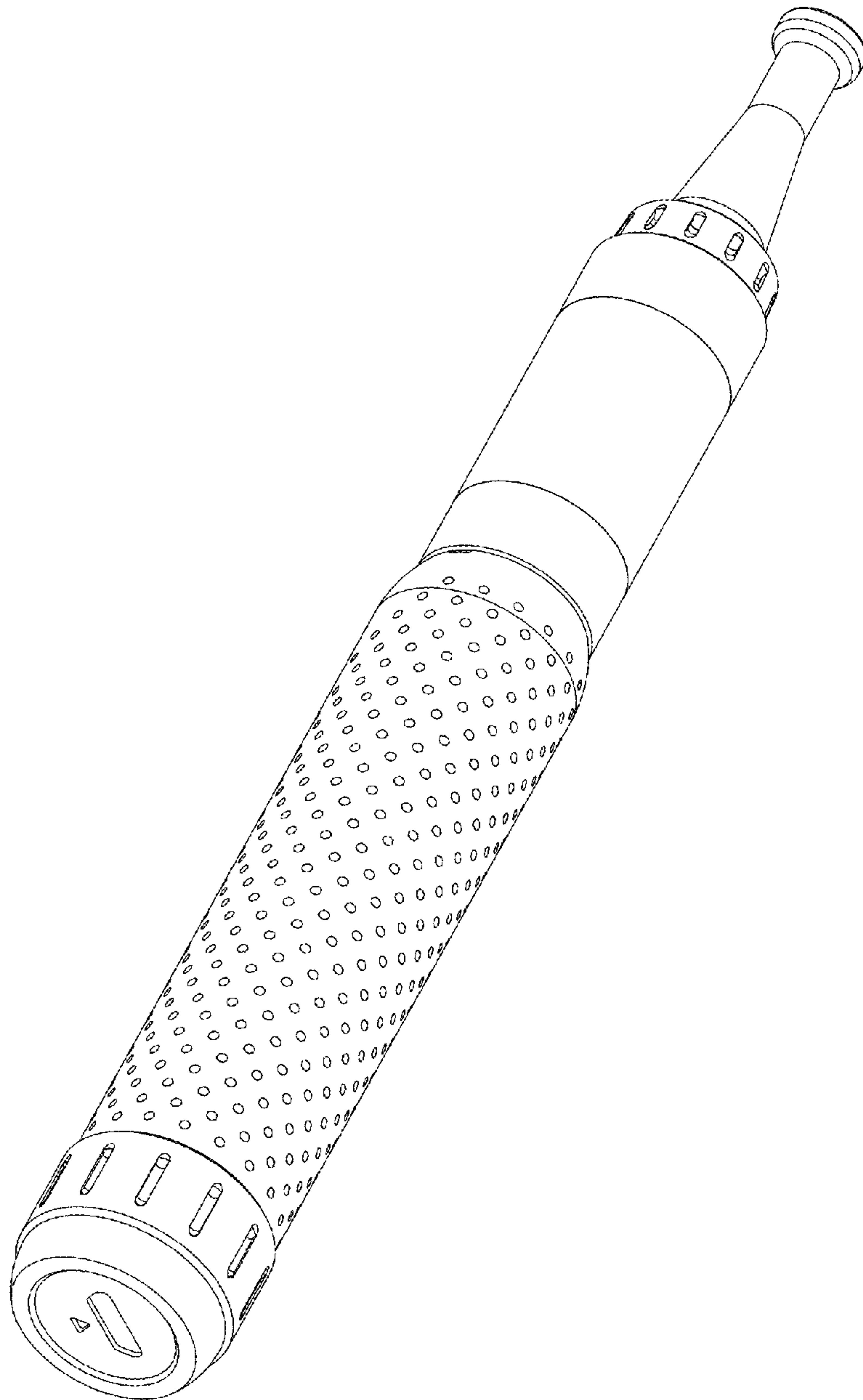


FIG. 7



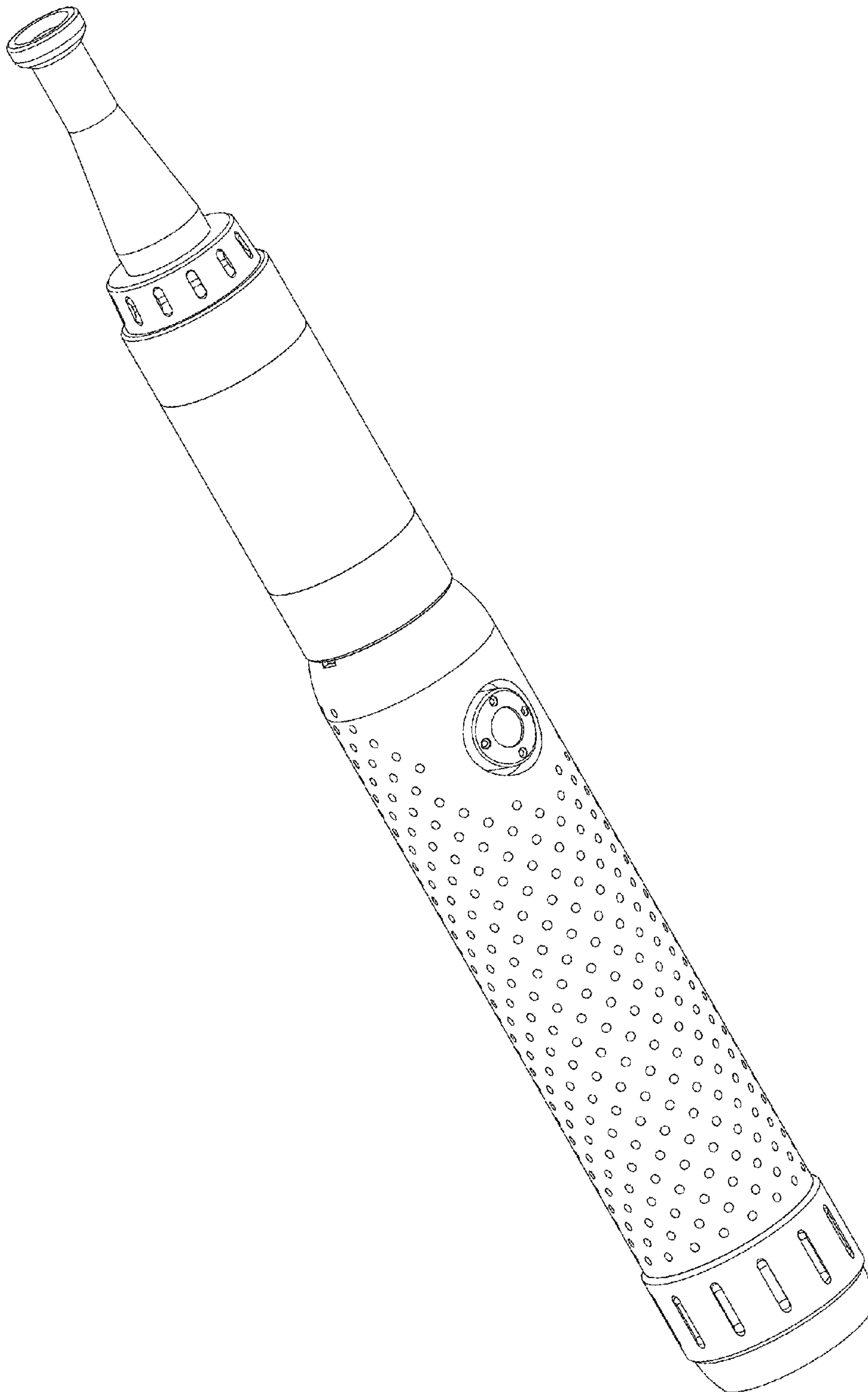


FIG. 8

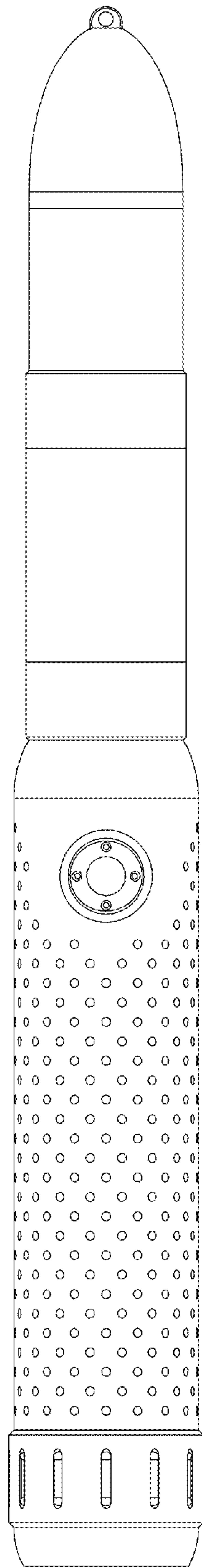


FIG. 9

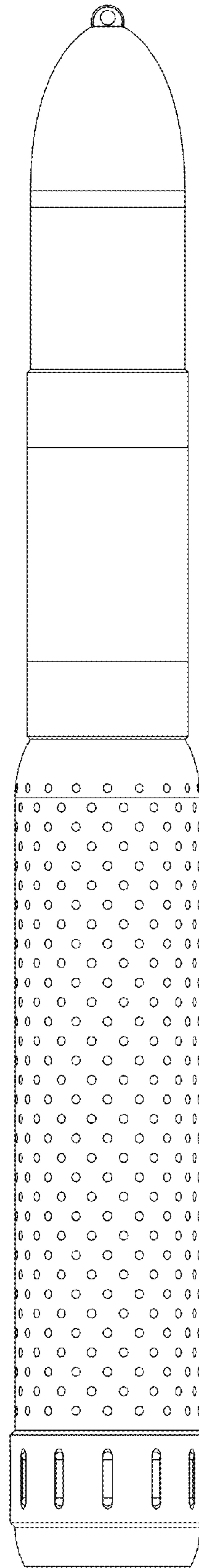


FIG. 10

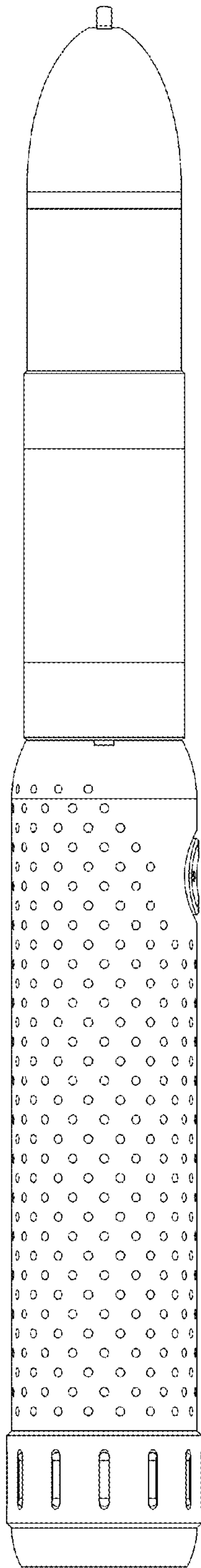


FIG. 11

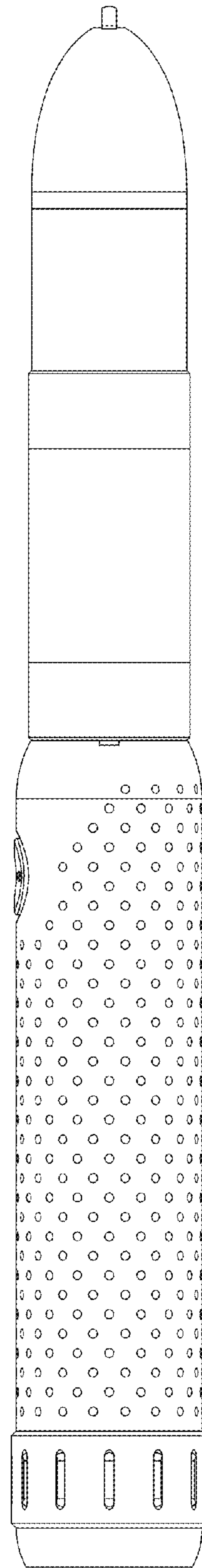


FIG. 12

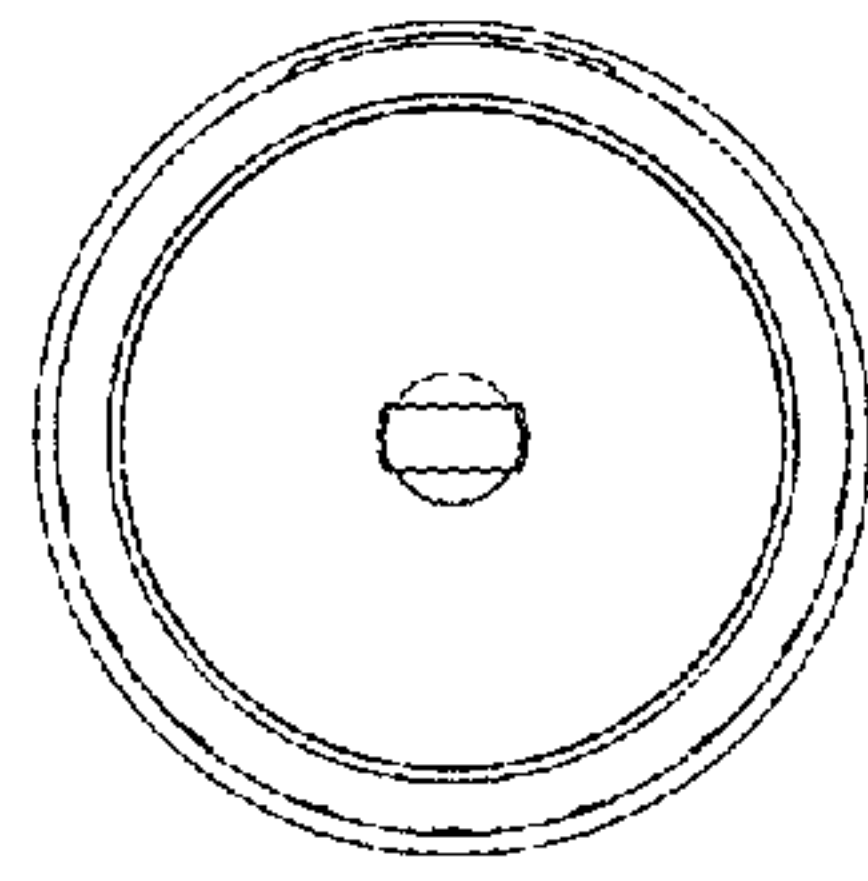


FIG. 13

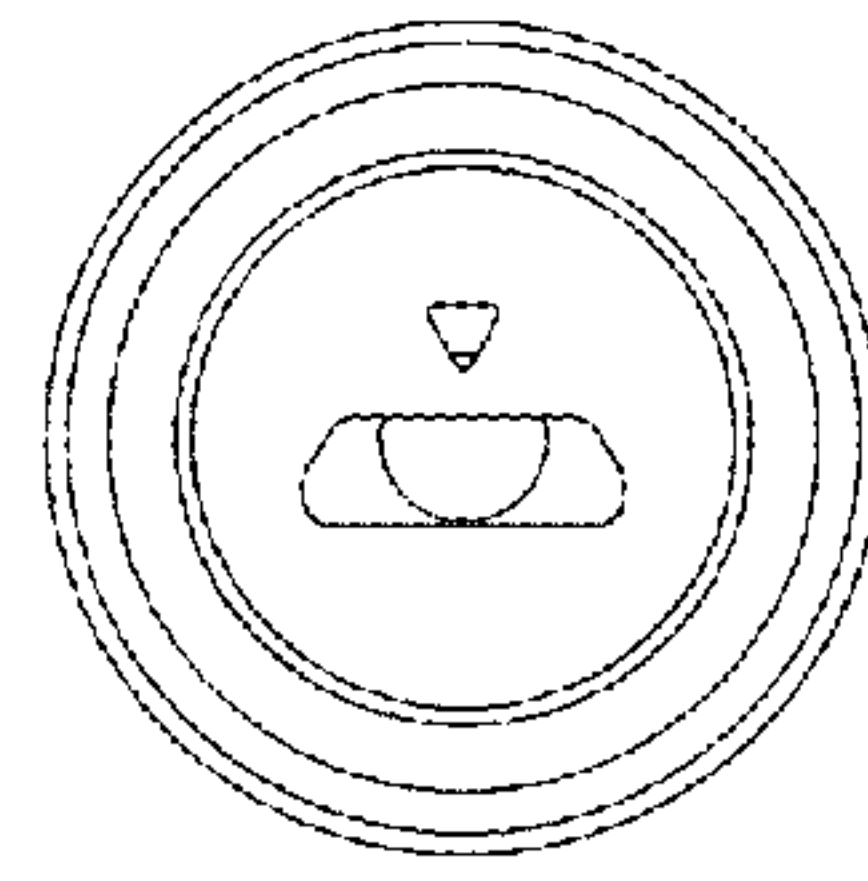


FIG. 14

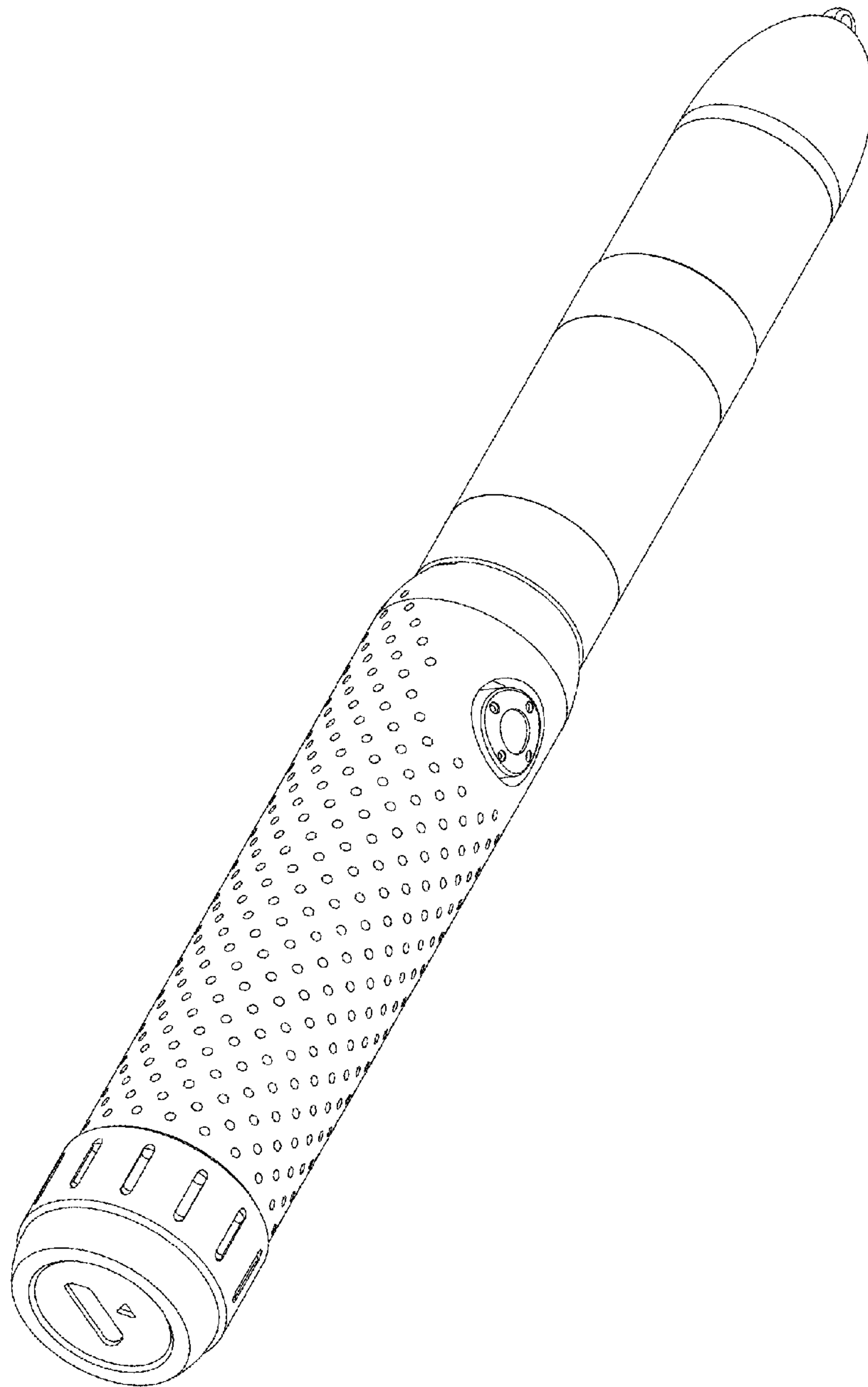


FIG. 15



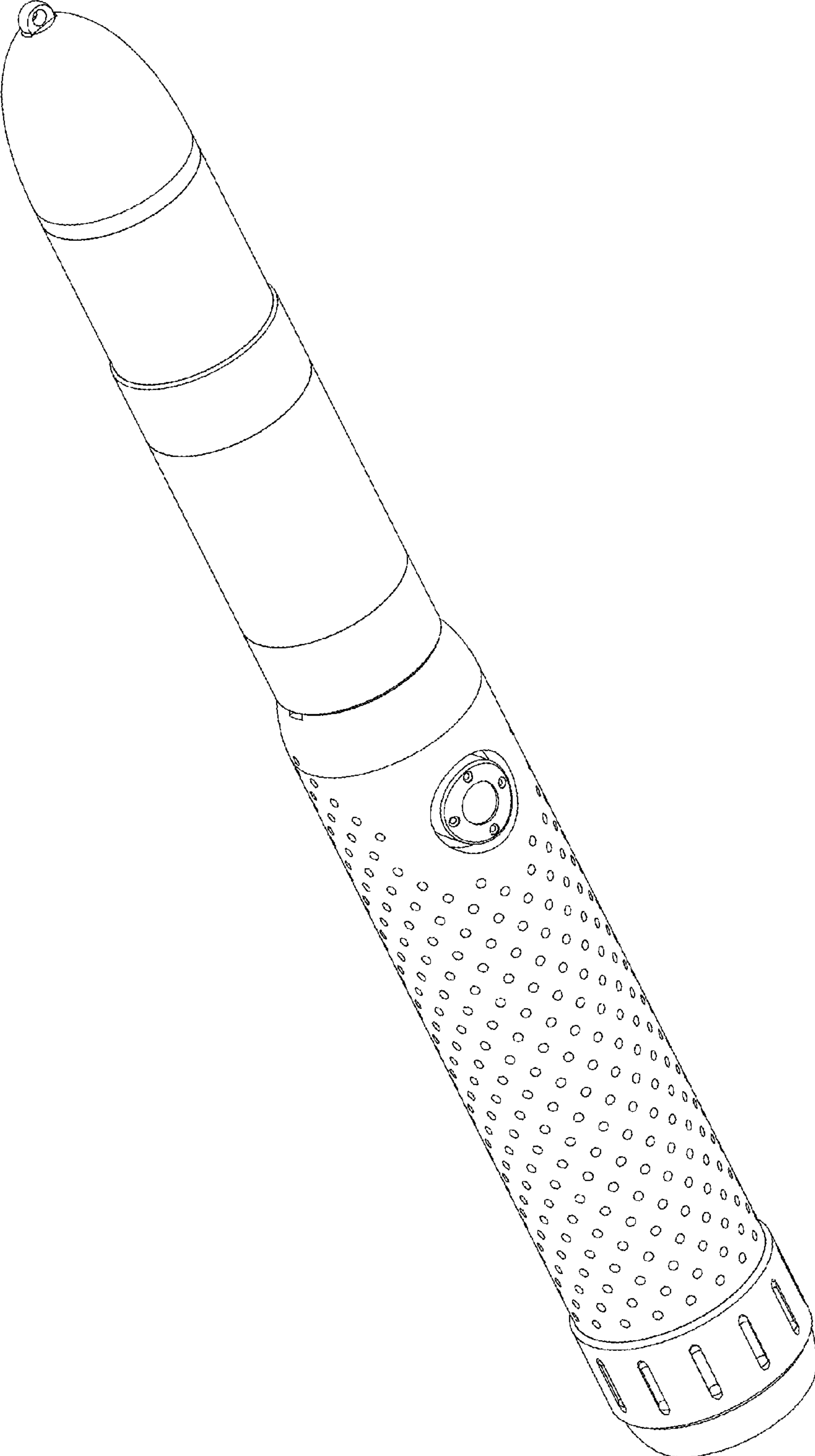


FIG. 16