



US00D749258S

(12) **United States Design Patent**  
**Beaven**

(10) **Patent No.:** **US D749,258 S**  
(45) **Date of Patent:** **\*\* Feb. 9, 2016**

(54) **LENS FOR A VEHICLE**

(56) **References Cited**

(71) Applicant: **Jaguar Land Rover Limited**, Coventry (GB)

U.S. PATENT DOCUMENTS

(72) Inventor: **Matthew Beaven**, Coventry (GB)

D538,956 S \* 3/2007 Ishii ..... D26/28  
D544,614 S \* 6/2007 Markefka ..... D26/28  
D690,852 S \* 10/2013 Cooney ..... D26/28

(73) Assignee: **Jaguar Land Rover Limited** (GB)

\* cited by examiner

(\*\*) Term: **14 Years**

*Primary Examiner* — Marcus Jackson

(21) Appl. No.: **29/521,530**

(74) *Attorney, Agent, or Firm* — Fishman Stewart Yamaguchi PLLC

(22) Filed: **Mar. 24, 2015**

(57) **CLAIM**

The ornamental design for lens for a vehicle, as shown and described.

**Related U.S. Application Data**

(60) Division of application No. 29/442,130, filed on Dec. 14, 2012, now Pat. No. Des. 728,850, which is a continuation-in-part of application No. 29/431,982, filed on Sep. 12, 2012, now Pat. No. Des. 704,101, which is a continuation-in-part of application No. 29/432,031, filed on Sep. 12, 2012, now Pat. No. Des. 703,846.

**DESCRIPTION**

The patent or application file contains at least one drawing executed in color. Copies of this patent or patent application publication with color drawings will be provided by the Office upon request and payment of the necessary fee.

(30) **Foreign Application Priority Data**

Jun. 14, 2012 (EM) ..... 002057562  
Sep. 11, 2012 (EM) ..... 002100651  
Sep. 26, 2012 (EM) ..... 002109611

FIG. 1 is the a first lighting signature in red and a second lighting signature in orange;

(51) **LOC (10) Cl.** ..... **26-99**

(52) **U.S. Cl.**  
USPC ..... **D26/139**

FIG. 2 is the first lighting signature in red, the second lighting signature in orange, and the third lighting signature in red;

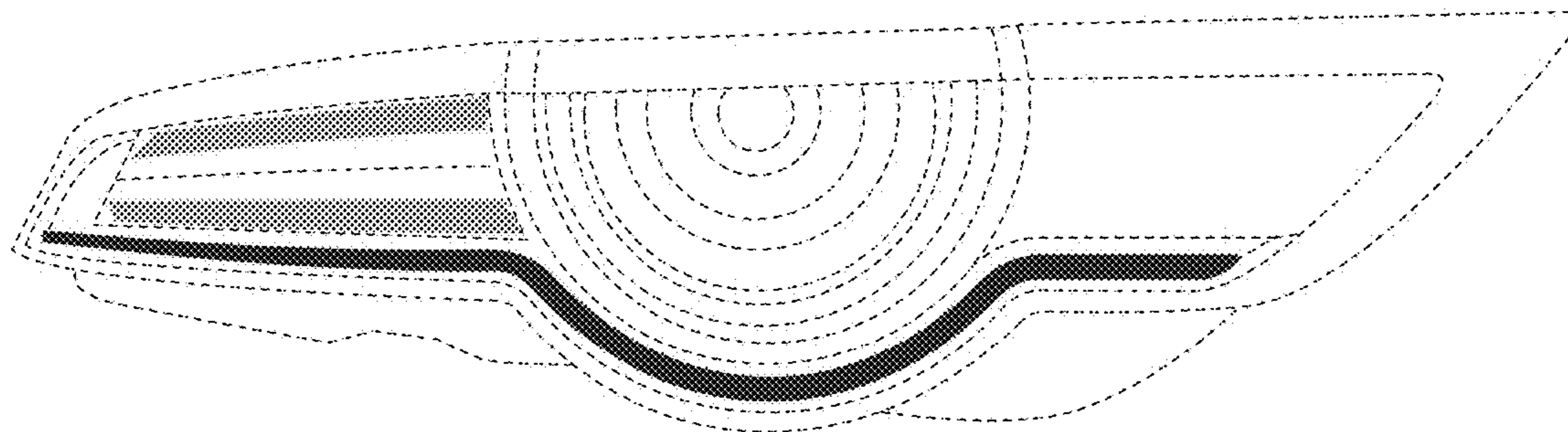
(58) **Field of Classification Search**  
USPC ..... D26/28-36, 139; 362/459-468,  
362/475-478, 485-487  
CPC ... B60Q 1/0466; B60Q 1/0476; B60Q 1/0483  
See application file for complete search history.

FIG. 3 is the first lighting signature in solid black lines and a second lighting signature in solid black lines; and,

FIG. 4 is the first lighting signature in solid black lines, the second lighting signature in solid black lines, and the third lighting signature in solid black lines.

Portions of FIGS. 1-4 that are shown as broken lines are for illustrative purpose only and form no part of the claimed design.

**1 Claim, 2 Drawing Sheets**  
**(1 of 2 Drawing Sheet(s) Filed in Color)**



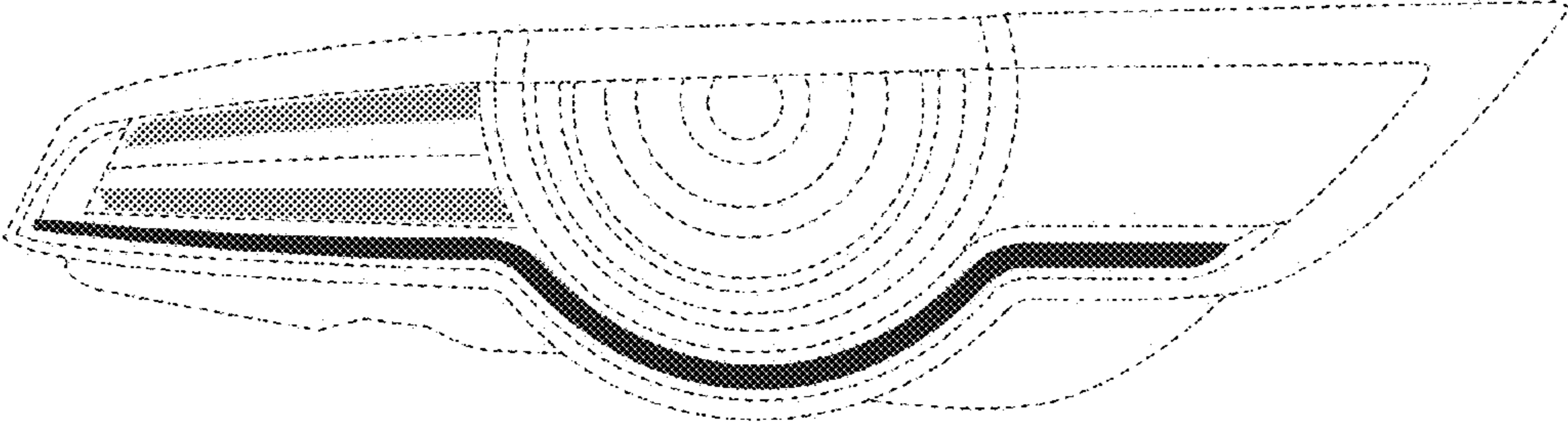


FIG. 1

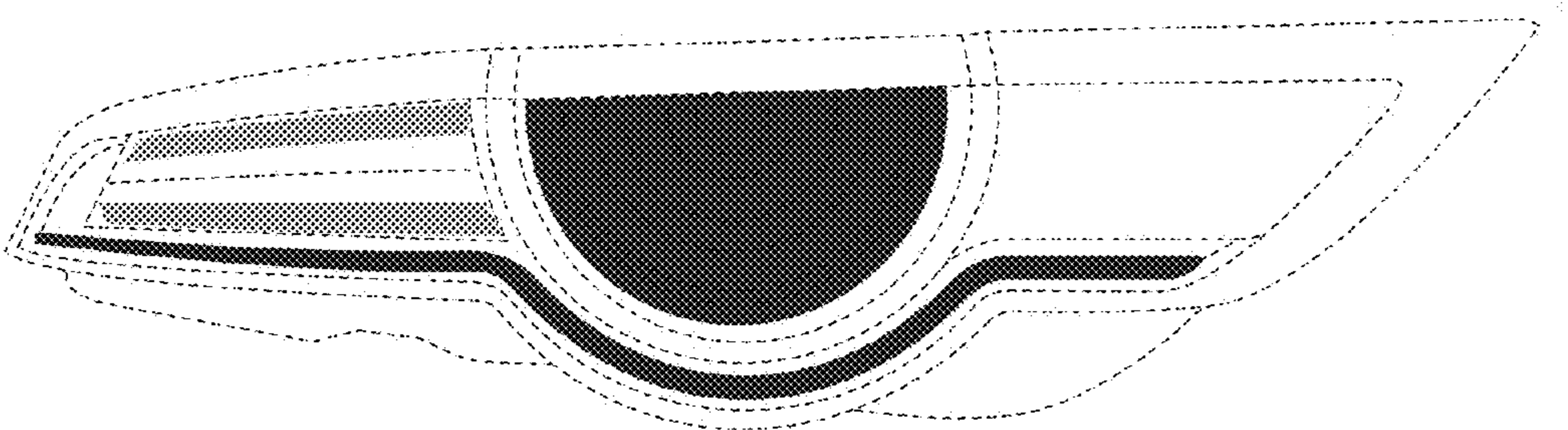


FIG. 2

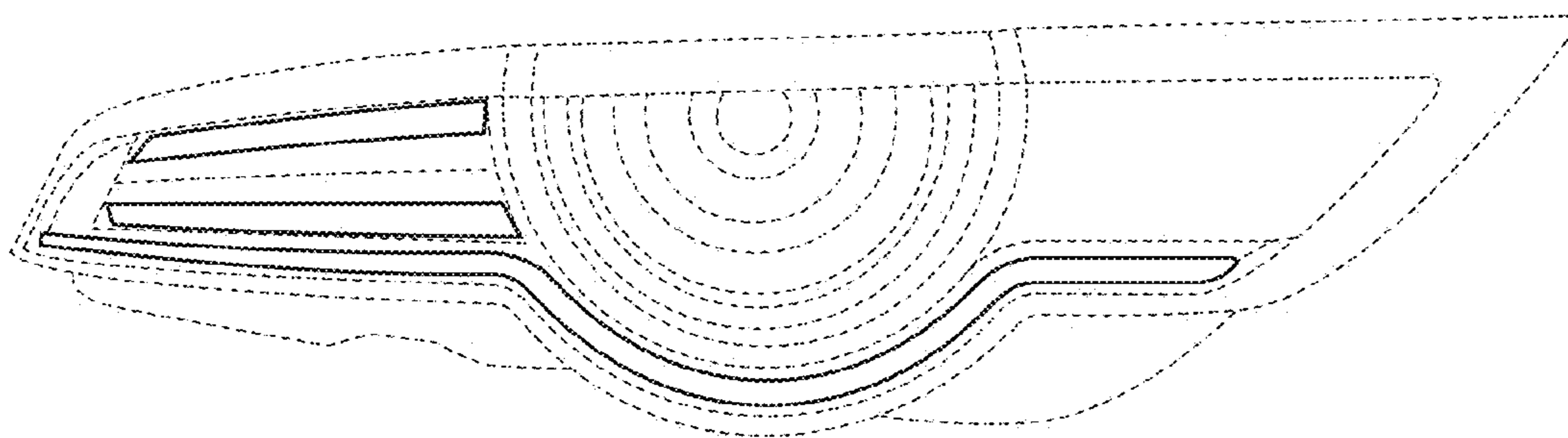


FIG. 3

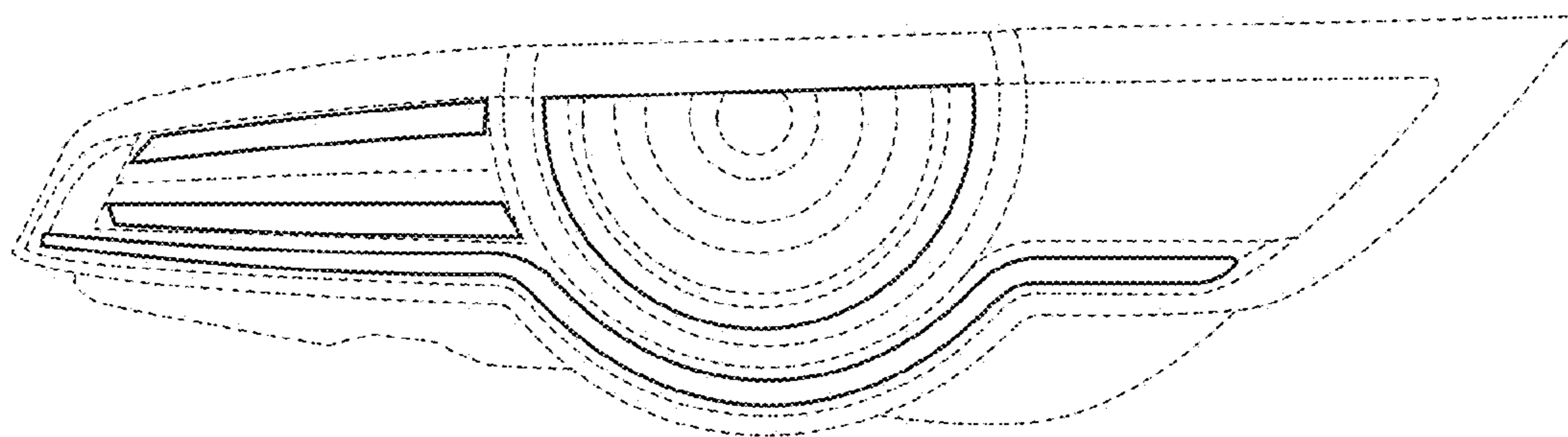


FIG. 4