



US00D749257S

(12) **United States Design Patent**  
**Arndt et al.**

(10) **Patent No.:** **US D749,257 S**  
(45) **Date of Patent:** **\*\* Feb. 9, 2016**

(54) **LIGHTING UNIT**

(71) Applicant: **Oldenburg Group Incorporated**,  
Glendale, WI (US)

(72) Inventors: **Michael A. Arndt**, Franklin, WI (US);  
**Jay M. Eissner**, Sheboygan, WI (US);  
**Michael M. Theiler**, Oak Creek, WI  
(US); **Christopher M. Glandt**,  
Shorewood, WI (US)

(73) Assignee: **Oldenburg Group Incorporated**,  
Glendale, WI (US)

(\*\*) Term: **14 Years**

(21) Appl. No.: **29/483,823**

(22) Filed: **Mar. 3, 2014**

(51) **LOC (10) Cl.** ..... **26-03**

(52) **U.S. Cl.**  
USPC ..... **D26/76**

(58) **Field of Classification Search**

USPC ..... D26/3, 24, 35, 39, 42, 71, 72, 75, 76,  
D26/78, 79, 80, 81, 82, 83, 85, 86, 88, 90,  
D26/113, 118, 119, 120, 121, 122, 138;  
362/23.07, 23.09, 23.16, 217.01,  
362/217.02, 217.05, 217.08, 217.09, 218,  
362/249.02, 260, 311.02, 555, 612, 614,  
362/800  
CPC ..... F21S 2/00; F21S 4/00; F21S 4/003;  
F21S 4/005; F21S 4/006; F21S 4/007; F21S  
4/008; F21S 6/00; F21S 8/00; F21S 8/024;  
F21S 8/026; F21S 8/031; F21S 8/033; F21S  
8/035-8/037; F21S 8/04; F21S 8/043; F21S  
8/063

See application file for complete search history.

(56) **References Cited**

**U.S. PATENT DOCUMENTS**

D304,862 S 11/1989 DiCola  
D306,772 S 3/1990 D'Armond

(Continued)

**OTHER PUBLICATIONS**

Medical EXPO: The Online Medical Devices Exhibition website,  
Hill-Rom: Multi-function over-bed ceiling light, <http://www.medicaexpo.com/prod/hill-rom/multi-function-over-bed-ceiling-lights-68741-442572.html>, website believed to be publically available prior to Mar. 3, 2014, 29 pages.

(Continued)

*Primary Examiner* — George D Kirschbaum

*Assistant Examiner* — Natasha Vujcic

(74) *Attorney, Agent, or Firm* — Reinhart Boerner Van Deuren P.C.

(57) **CLAIM**

The ornamental design for a lighting unit, as shown and described.

**DESCRIPTION**

FIG. 1 is a top isometric view of an embodiment of the claimed design;

FIG. 2 is a bottom isometric view of the claimed design of FIG. 1;

FIG. 3 is a top view of the claimed design of FIGS. 1 and 2;

FIG. 4 is a bottom view of the claimed design of FIGS. 1-3;

FIG. 5 is a right side view of the claimed design of FIGS. 1-4;

FIG. 6 is a left side view of the claimed design of FIGS. 1-5;

FIG. 7 is a front view of the claimed design of FIGS. 1-6;

FIG. 8 is a back view of the claimed design of FIGS. 1-7;

FIG. 9 is a top isometric view of a second embodiment of the claimed design;

FIG. 10 is a bottom isometric view of the claimed design of FIG. 9;

FIG. 11 is a top view of the claimed design of FIGS. 9 and 10;

FIG. 12 is a bottom view of the claimed design of FIGS. 9-11;

FIG. 13 is a left side view of the claimed design of FIGS. 9-12;

FIG. 14 is a right side view of the claimed design of FIGS. 9-13;

FIG. 15 is a front view of the claimed design of FIGS. 9-14;

FIG. 16 is a back view of the claimed design of FIGS. 9-15;

FIG. 17 is a top isometric view of a third embodiment of the claimed design;

FIG. 18 is a bottom isometric view of the claimed design of FIG. 17;

FIG. 19 is a top view of the claimed design of FIGS. 17 and 18;

FIG. 20 is a bottom view of the claimed design of FIGS. 17-19;

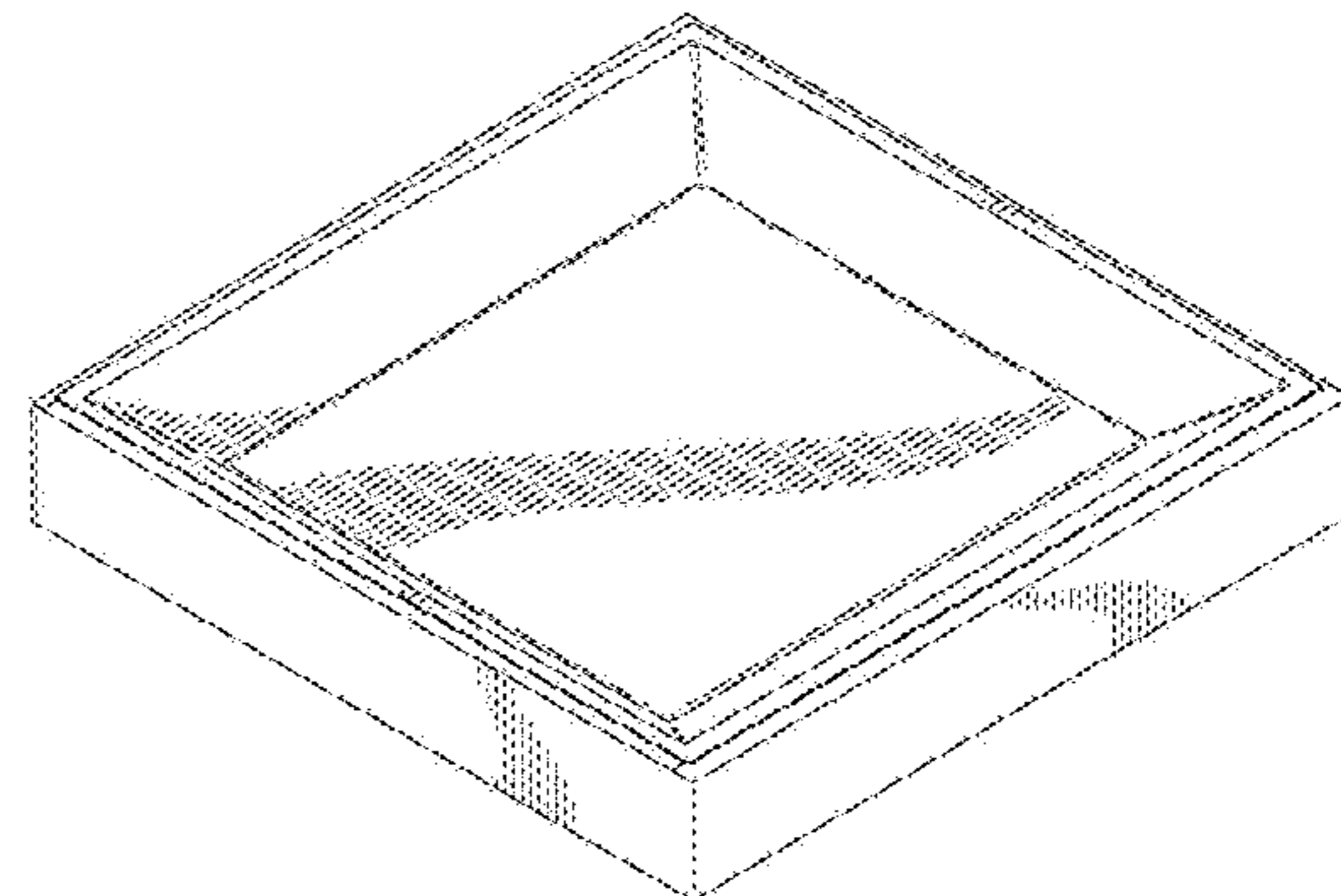
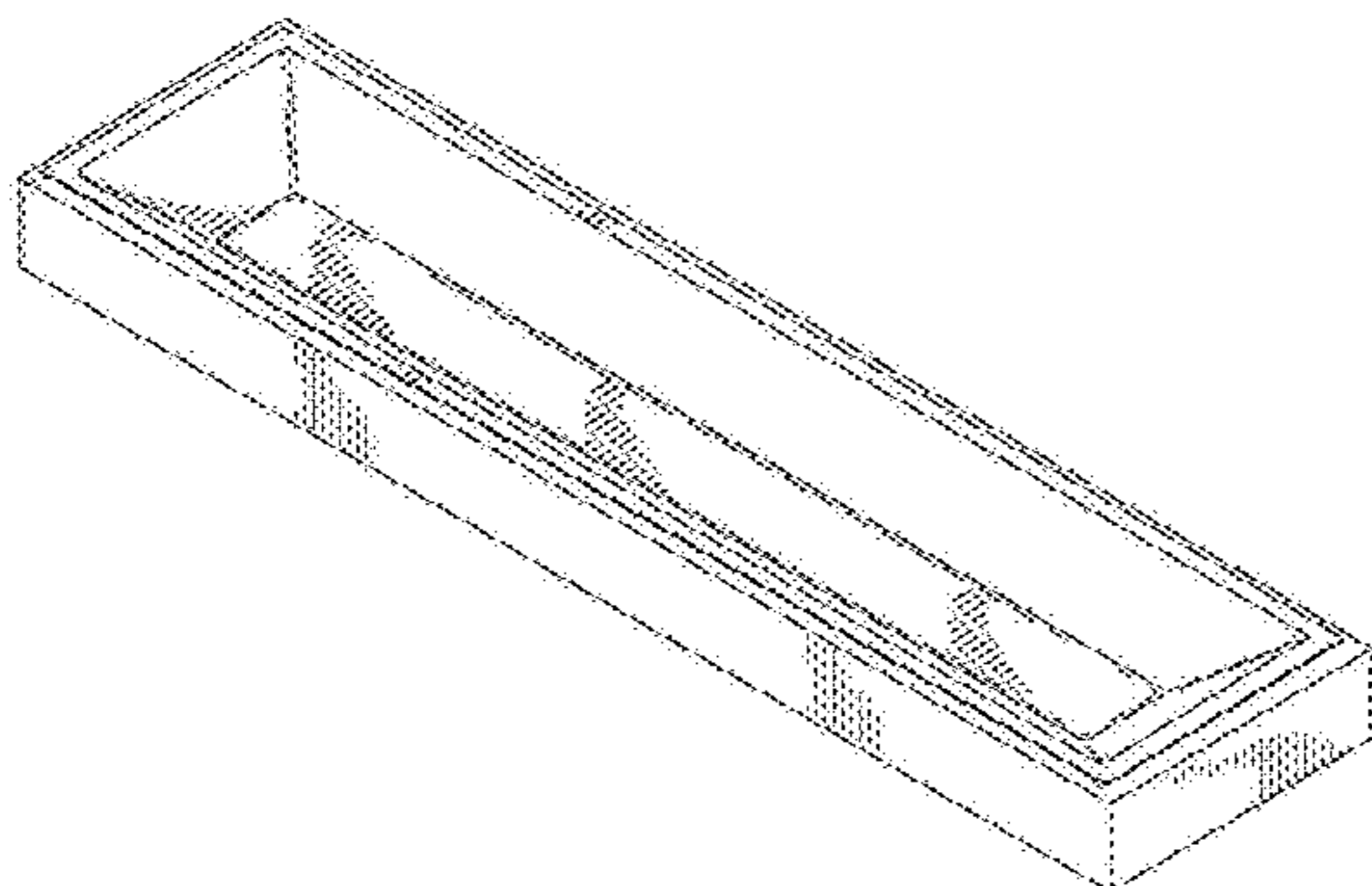
FIG. 21 is a right side view of the claimed design of FIGS. 17-20;

FIG. 22 is a left side view of the claimed design of FIGS. 17-21;

FIG. 23 is a front view of the claimed design of FIGS. 17-22; and,

FIG. 24 is a back view of the claimed design in FIGS. 17-23.

**1 Claim, 24 Drawing Sheets**



(56)

References Cited

U.S. PATENT DOCUMENTS

5,345,990 A 9/1994 Potts  
 D386,804 S \* 11/1997 Engel ..... D26/74  
 D407,838 S 4/1999 Compton  
 D407,839 S 4/1999 Compton  
 D472,665 S 4/2003 Herst et al.  
 D474,548 S 5/2003 Glatz  
 D477,891 S \* 7/2003 Fritze et al. .... D26/76  
 D484,633 S 12/2003 Campagna  
 D491,283 S 6/2004 Glatz  
 D514,731 S 2/2006 Engel  
 D537,553 S 2/2007 Kotovsky et al.  
 D541,467 S 4/2007 Gould  
 D542,958 S 5/2007 Lodhie et al.  
 7,213,932 B1 5/2007 Savicki, Jr.  
 D544,627 S 6/2007 Quintal  
 D545,996 S 7/2007 Hargreaves  
 D575,892 S 8/2008 Chandler  
 D576,760 S 9/2008 Ottobre  
 D580,583 S \* 11/2008 Pfund ..... D26/76  
 D588,739 S 3/2009 Janssen  
 D589,640 S 3/2009 Janssen  
 D595,447 S 6/2009 Purcell  
 D596,343 S 7/2009 Boissevain  
 D597,241 S \* 7/2009 Fabbri et al. .... D26/74  
 D602,187 S 10/2009 Fabbri et al.  
 D602,188 S 10/2009 Fabbri et al.  
 D603,999 S 11/2009 Fowler et al.  
 D604,000 S 11/2009 Fowler et al.

D604,001 S 11/2009 Thun  
 D618,839 S 6/2010 Ngai et al.  
 D632,008 S \* 2/2011 Kim et al. .... D26/120  
 D633,640 S \* 3/2011 Wauters ..... D26/76  
 D649,282 S 11/2011 McDonald et al.  
 D650,114 S 12/2011 Rudek et al.  
 D659,264 S 5/2012 Wennerholm  
 D664,700 S \* 7/2012 Ferguson et al. .... D26/76  
 D666,326 S 8/2012 Sims  
 D667,157 S \* 9/2012 Ferguson et al. .... D26/76  
 D671,587 S 11/2012 Li  
 D677,818 S 3/2013 Steele et al.  
 D679,437 S \* 4/2013 Watt ..... D26/74  
 D679,848 S \* 4/2013 Pickard et al. .... D26/74  
 D684,299 S 6/2013 Liang et al.  
 D685,122 S \* 6/2013 Kim et al. .... D26/74  
 D685,943 S 7/2013 Duquette et al.  
 D691,762 S 10/2013 Sieczkowski  
 D723,206 S \* 2/2015 Lewis et al. .... D26/76  
 2010/0277936 A1 11/2010 Liao

OTHER PUBLICATIONS

Healthcare-lighting.com: Tandem "Patient Room Ceiling Light" at <http://www.healthcare-lighting.com/assets/brochures/2012-cut-sheets/ceiling/tandem.pdf>, website believed to be publically available prior to Mar. 3, 2014, 2 pages.  
 U.S. Appl. No. 29/409,115, filed Dec. 20, 2011, Arndt, et al.  
 U.S. Appl. No. 29/409,117, filed Dec. 20, 2011, Arndt, et al.

\* cited by examiner

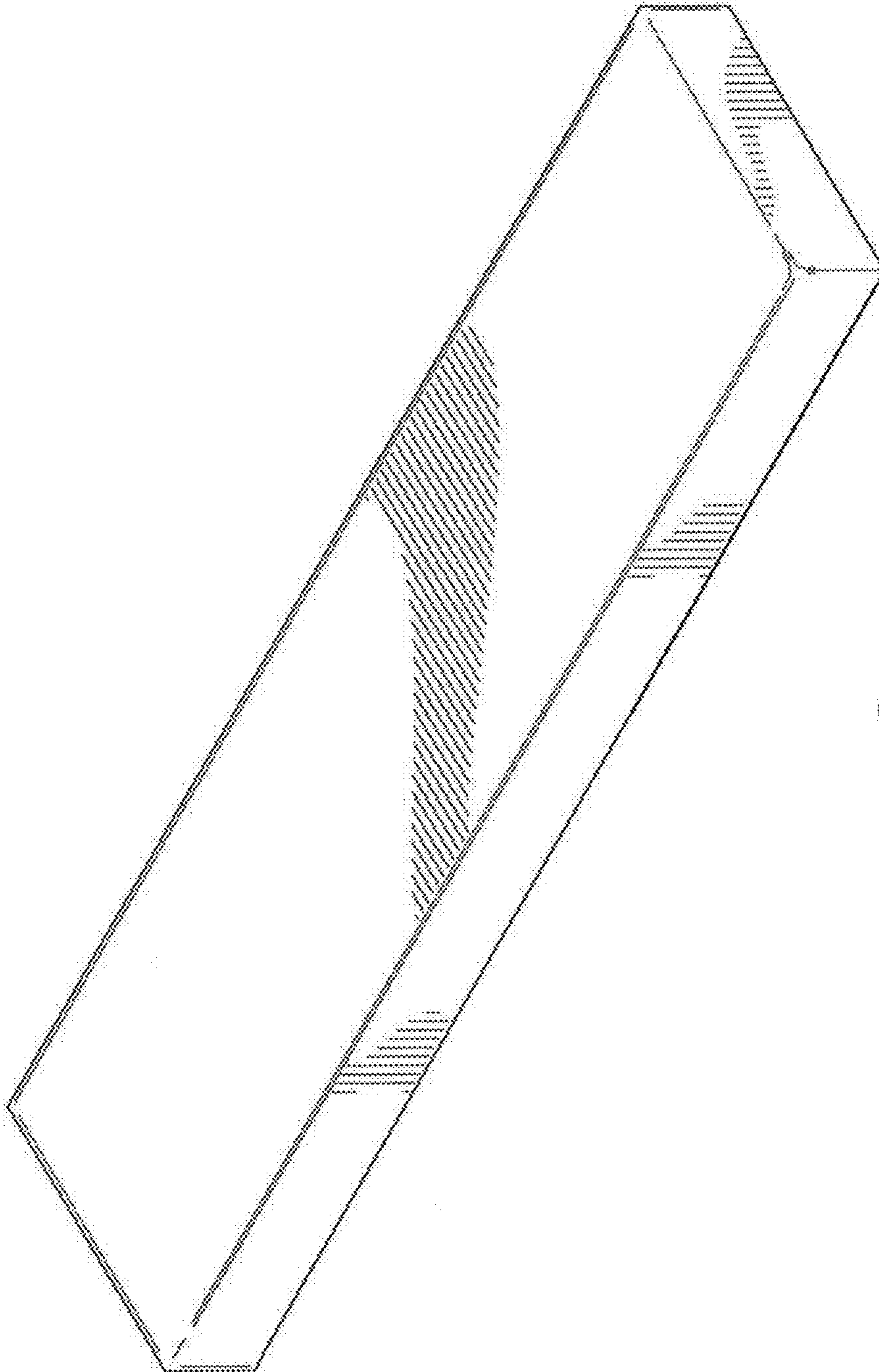


FIG. 1

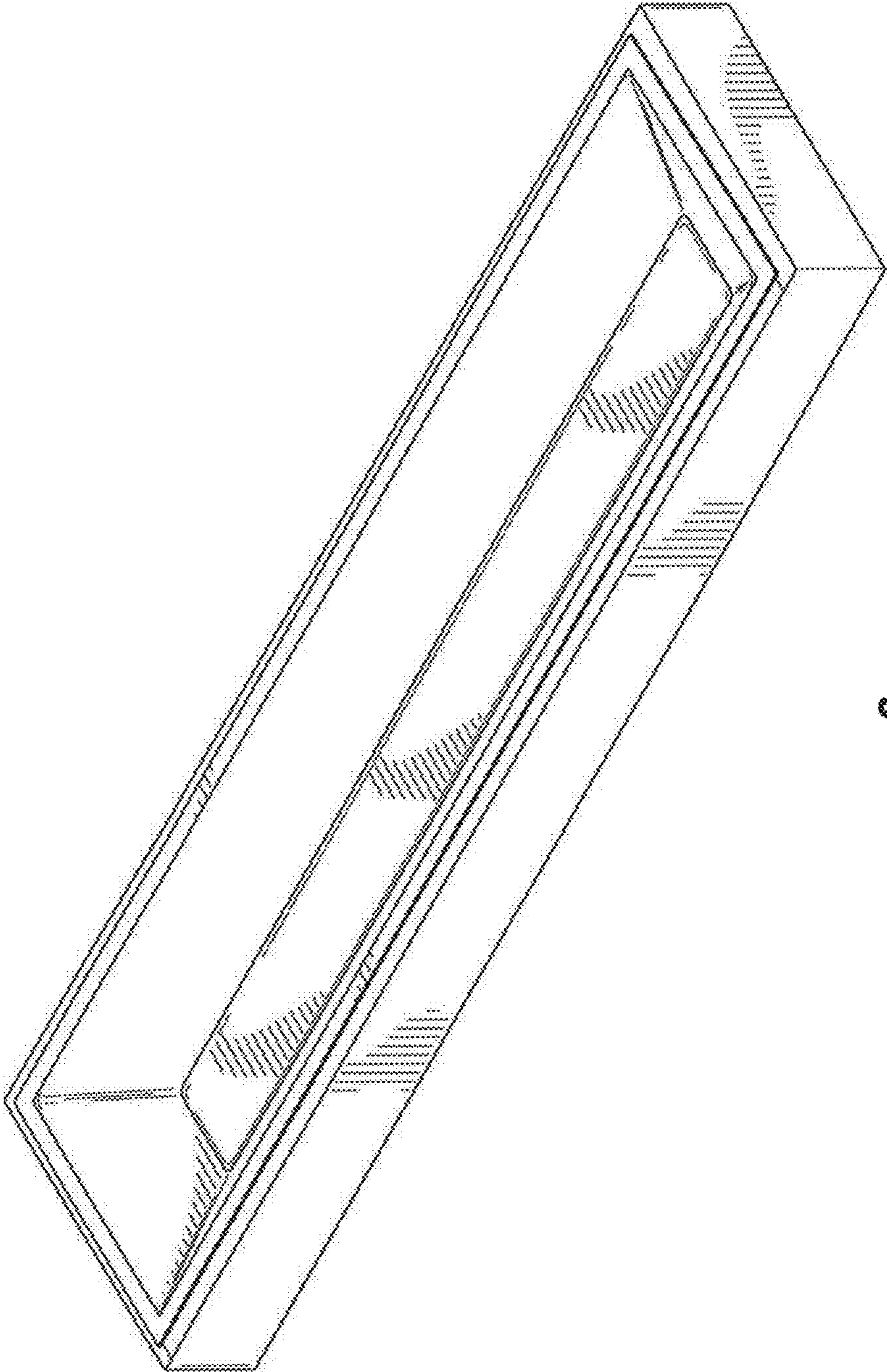


FIG. 2

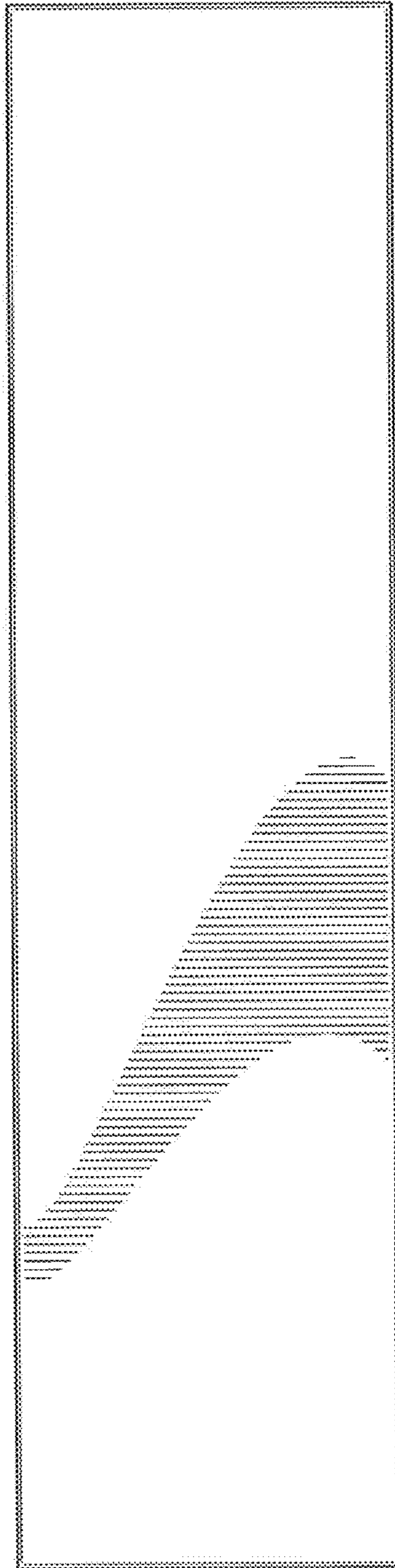


FIG. 3

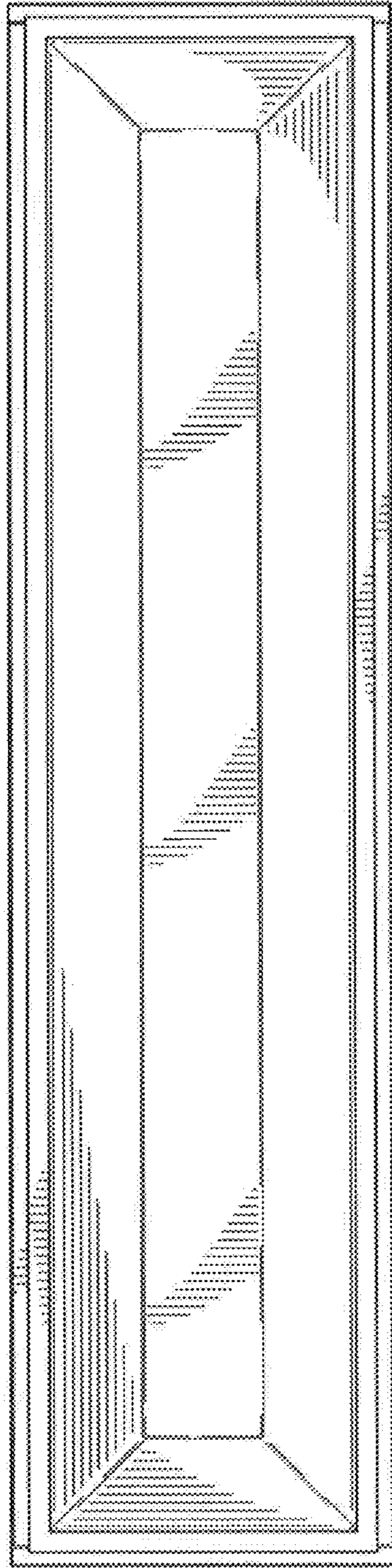


FIG. 4

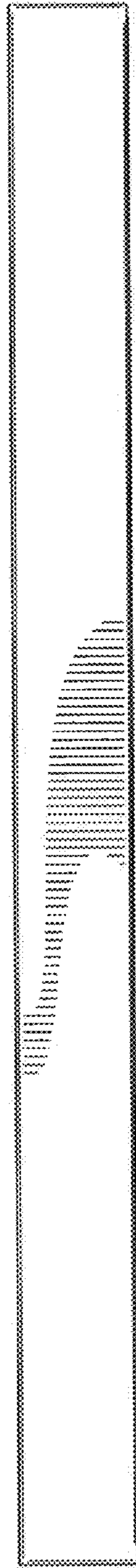


FIG. 5

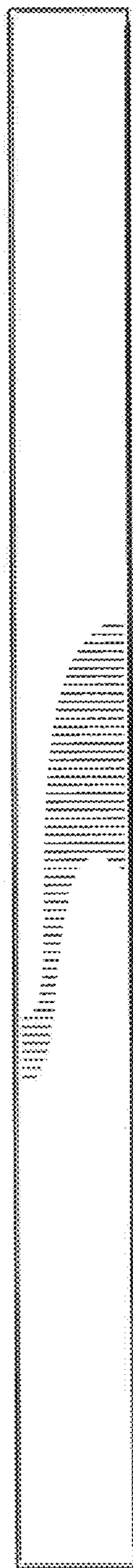
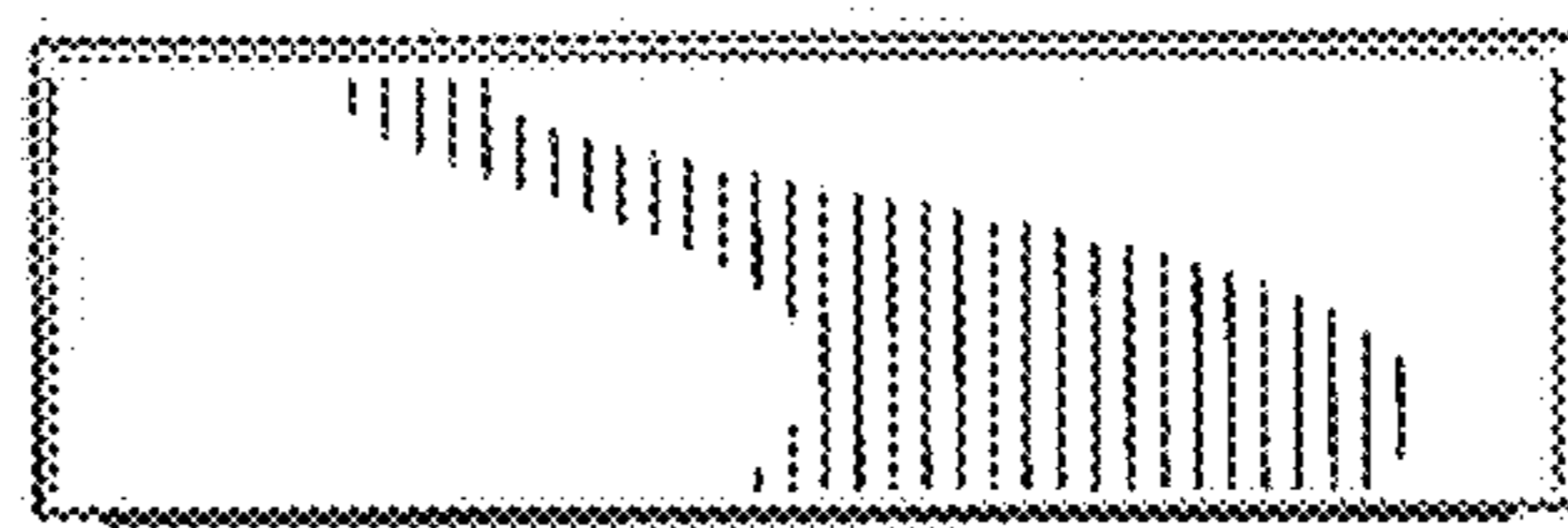


FIG. 6





**FIG. 7**



**FIG. 8**

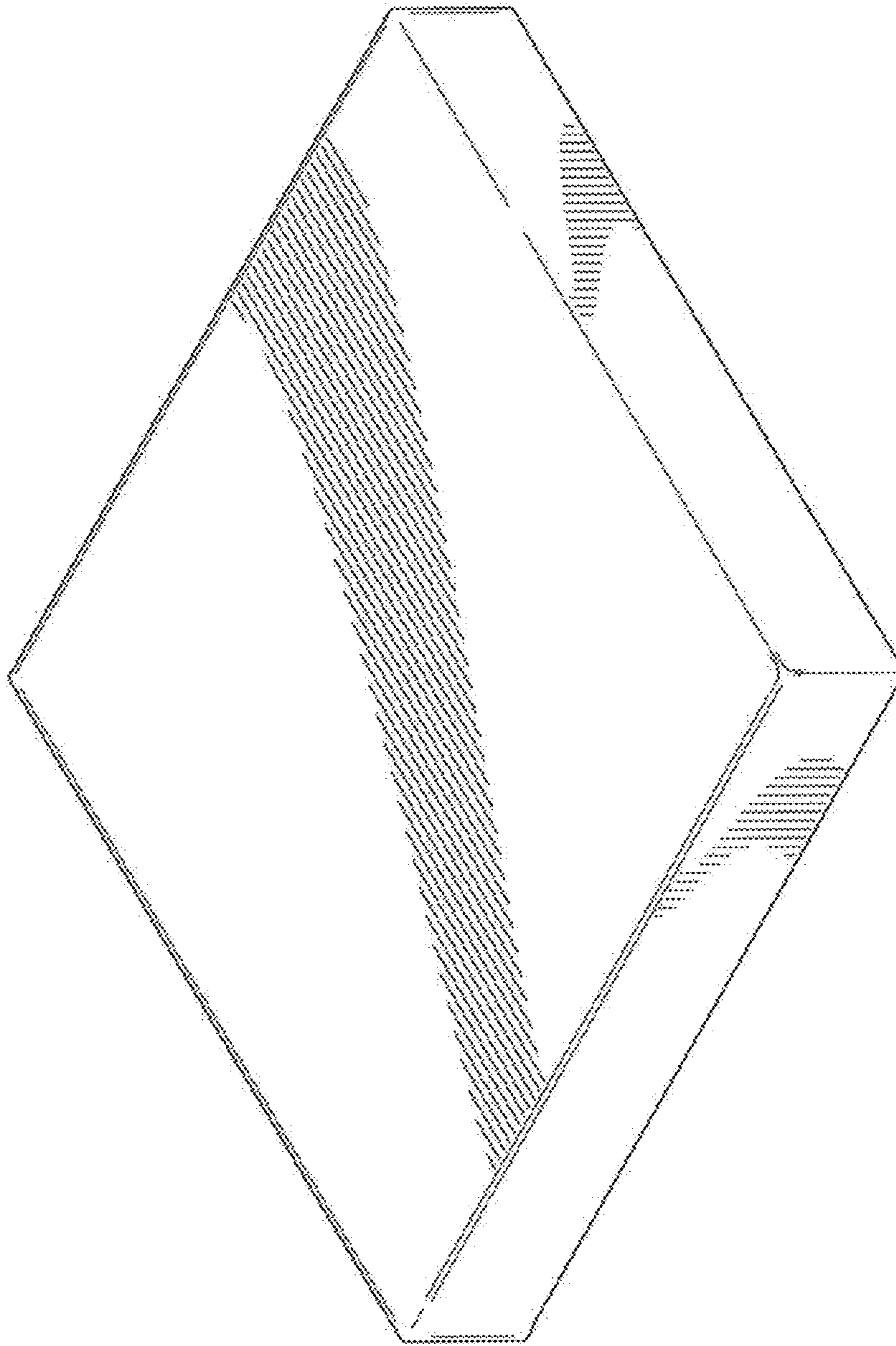


FIG. 9

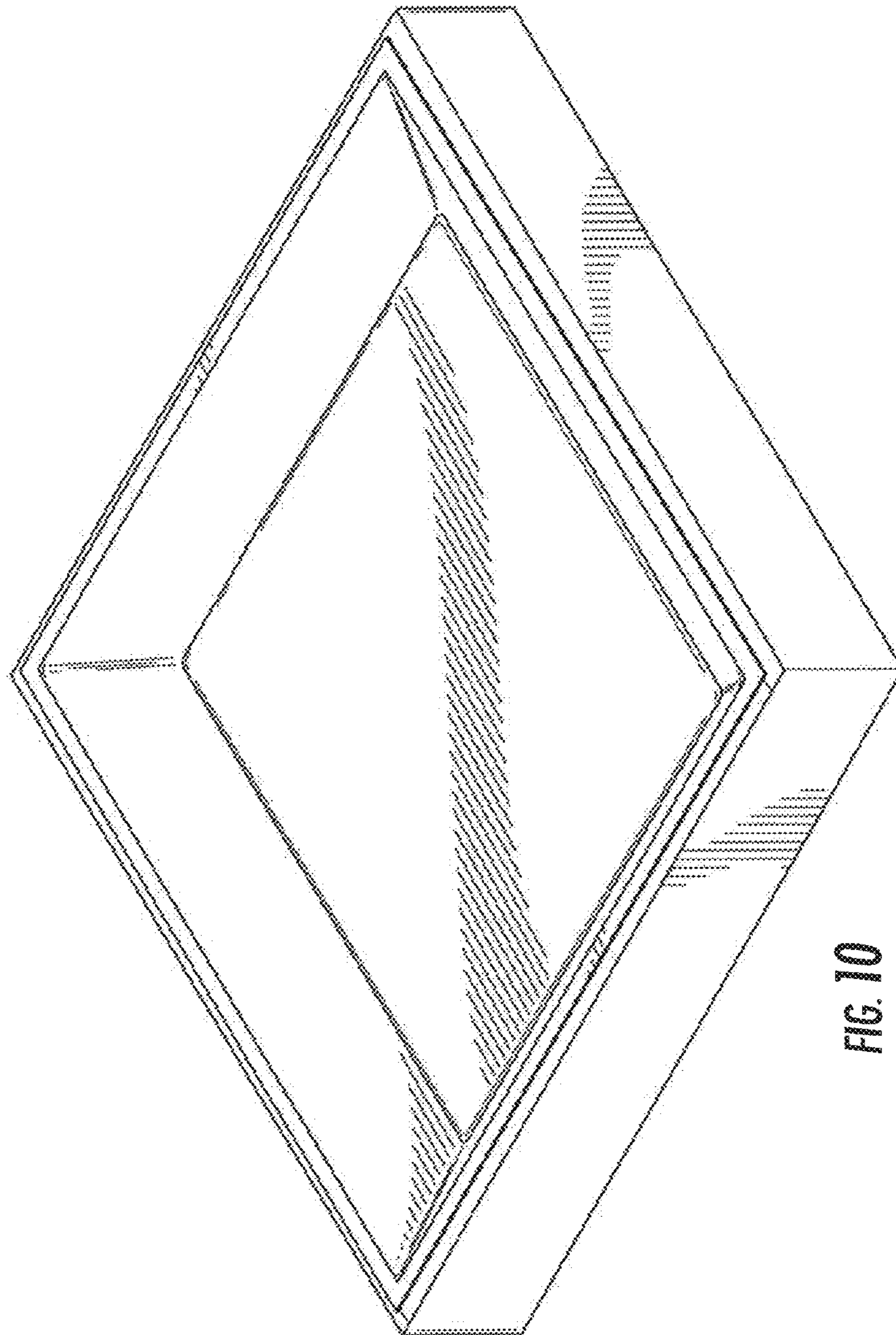


FIG. 10

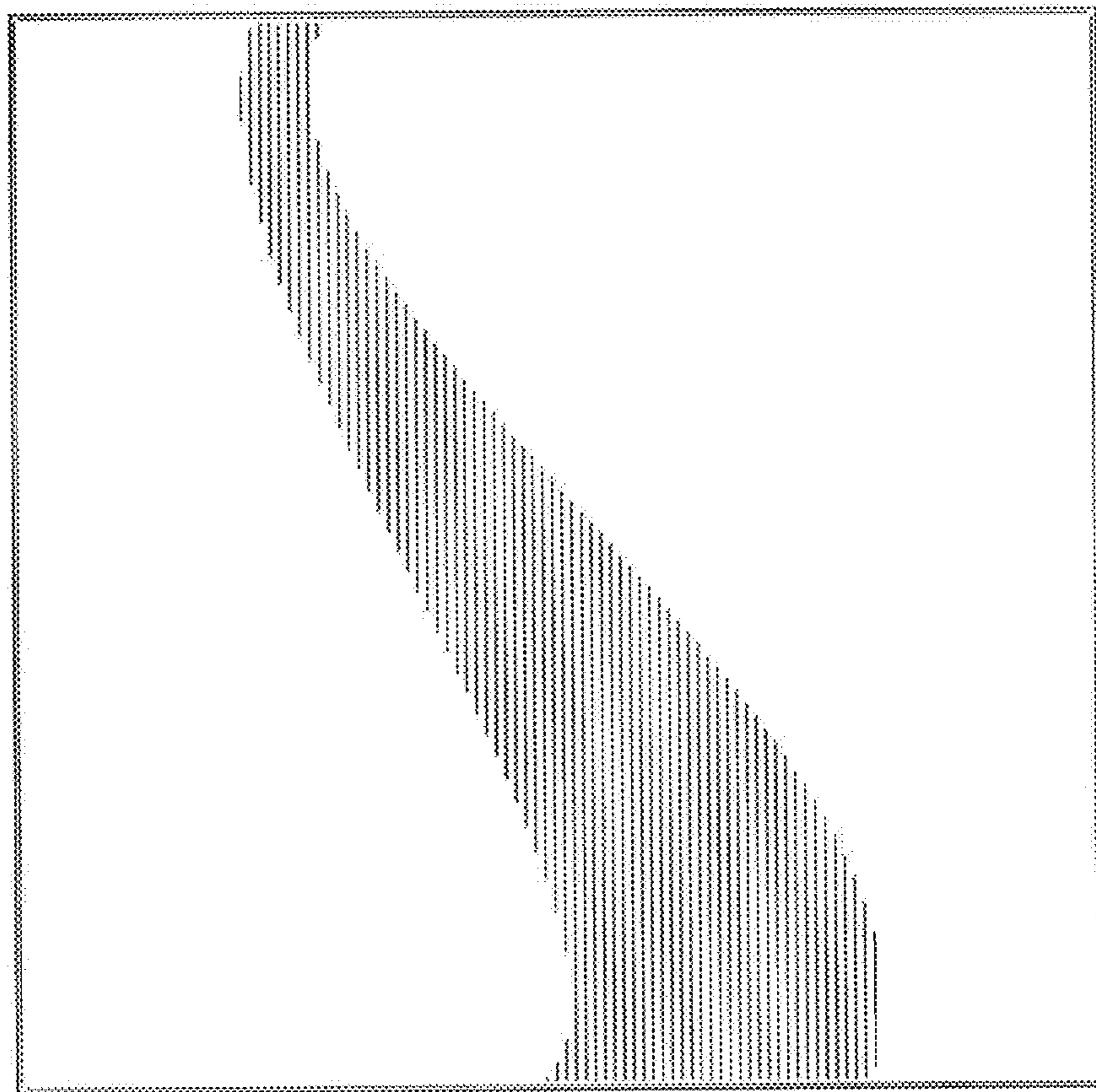


FIG. 11

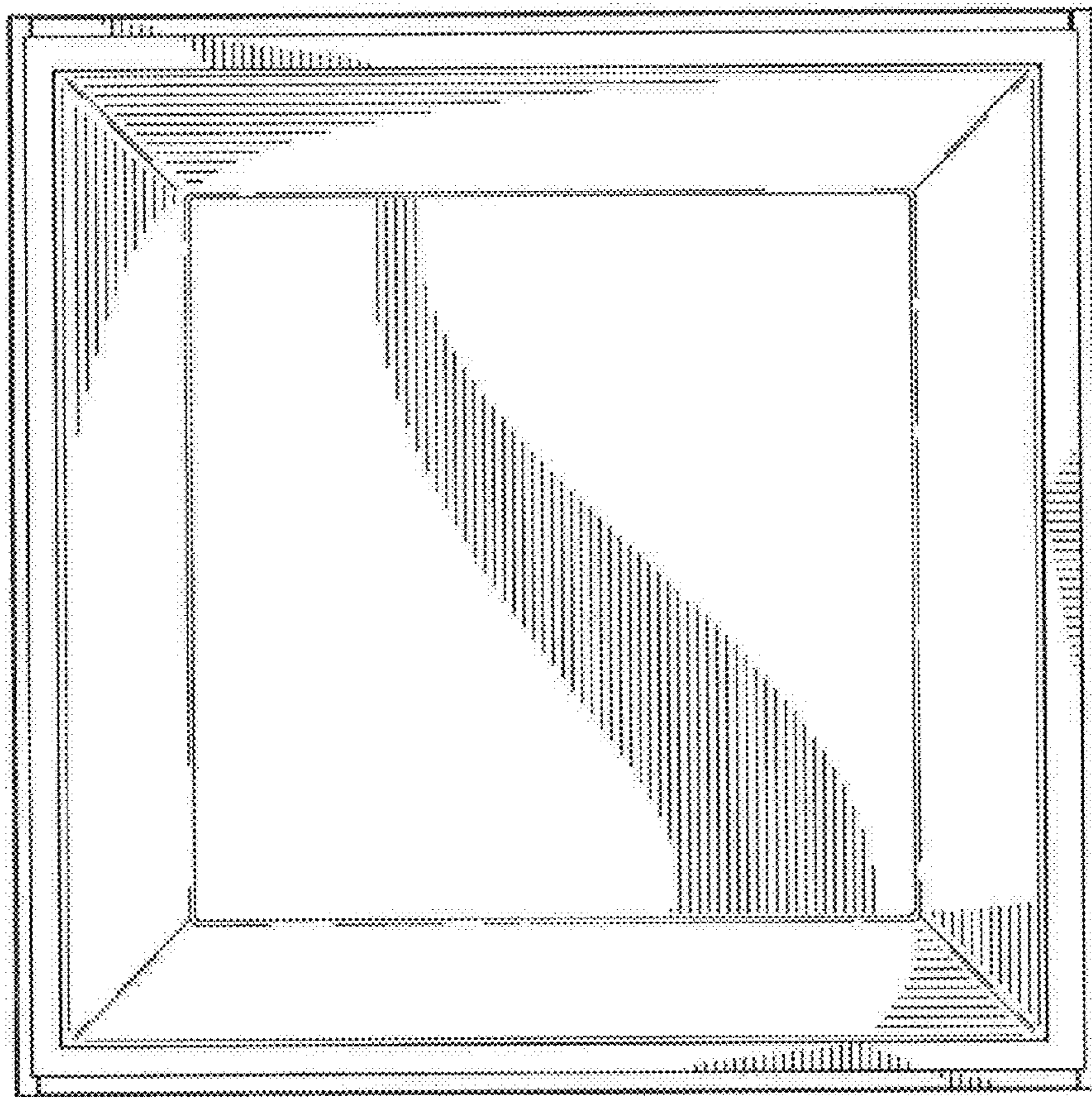
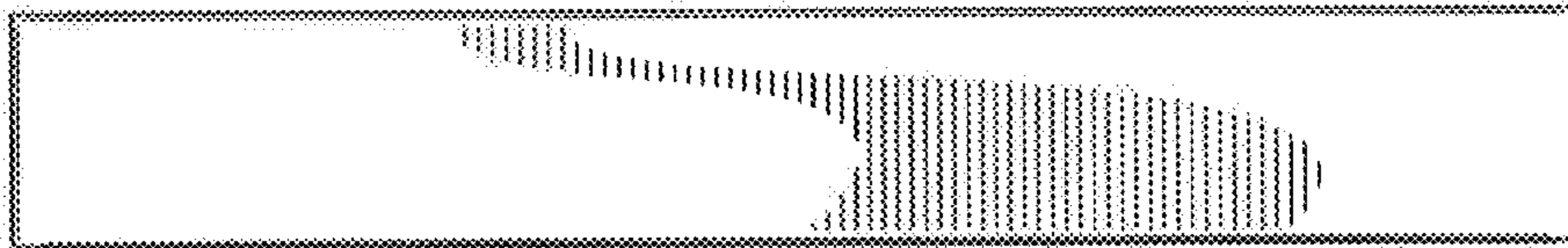
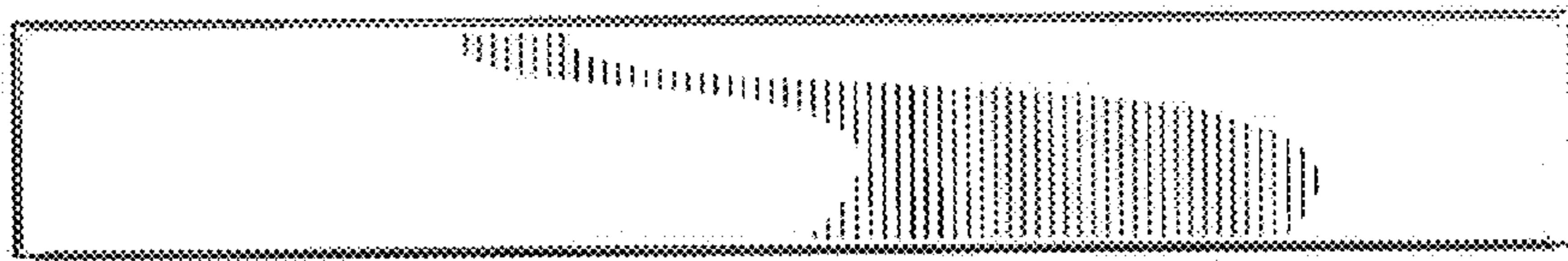


FIG. 12



**FIG. 13**

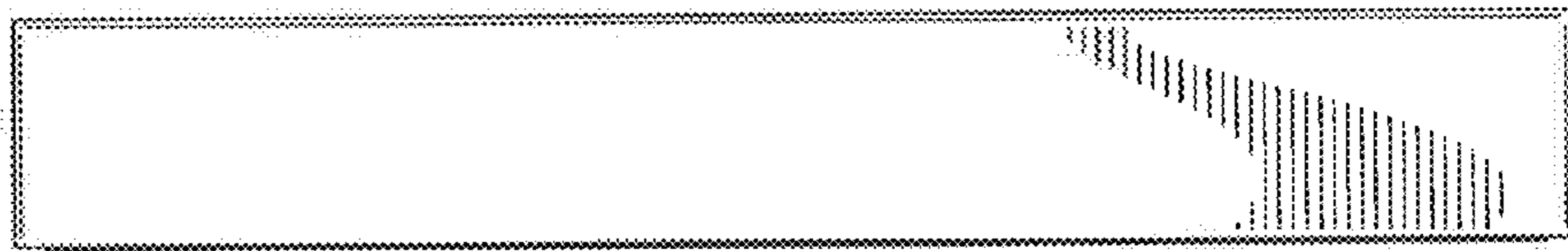


*FIG. 14*





FIG. 15



*FIG. 16*

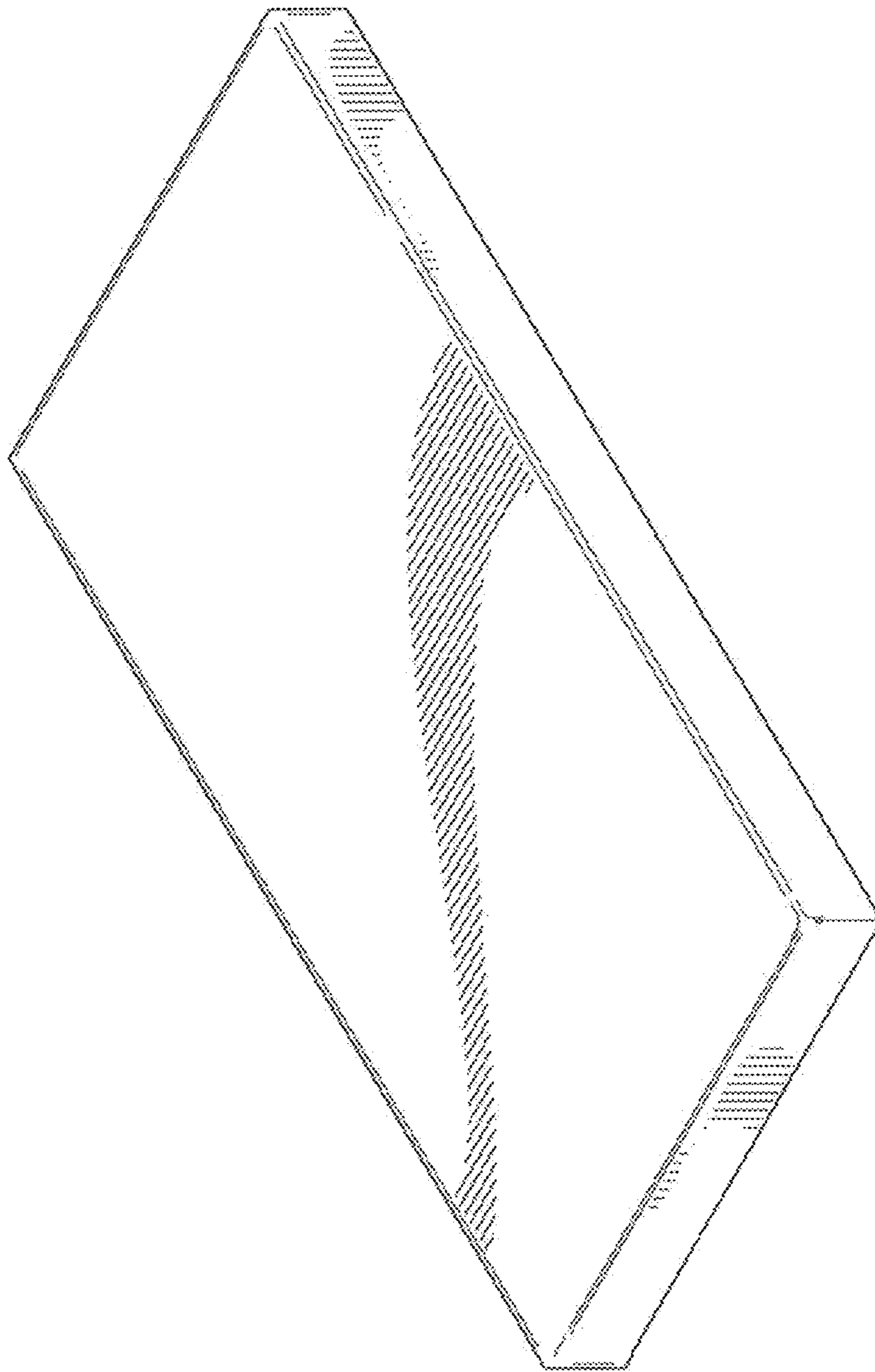


FIG. 17

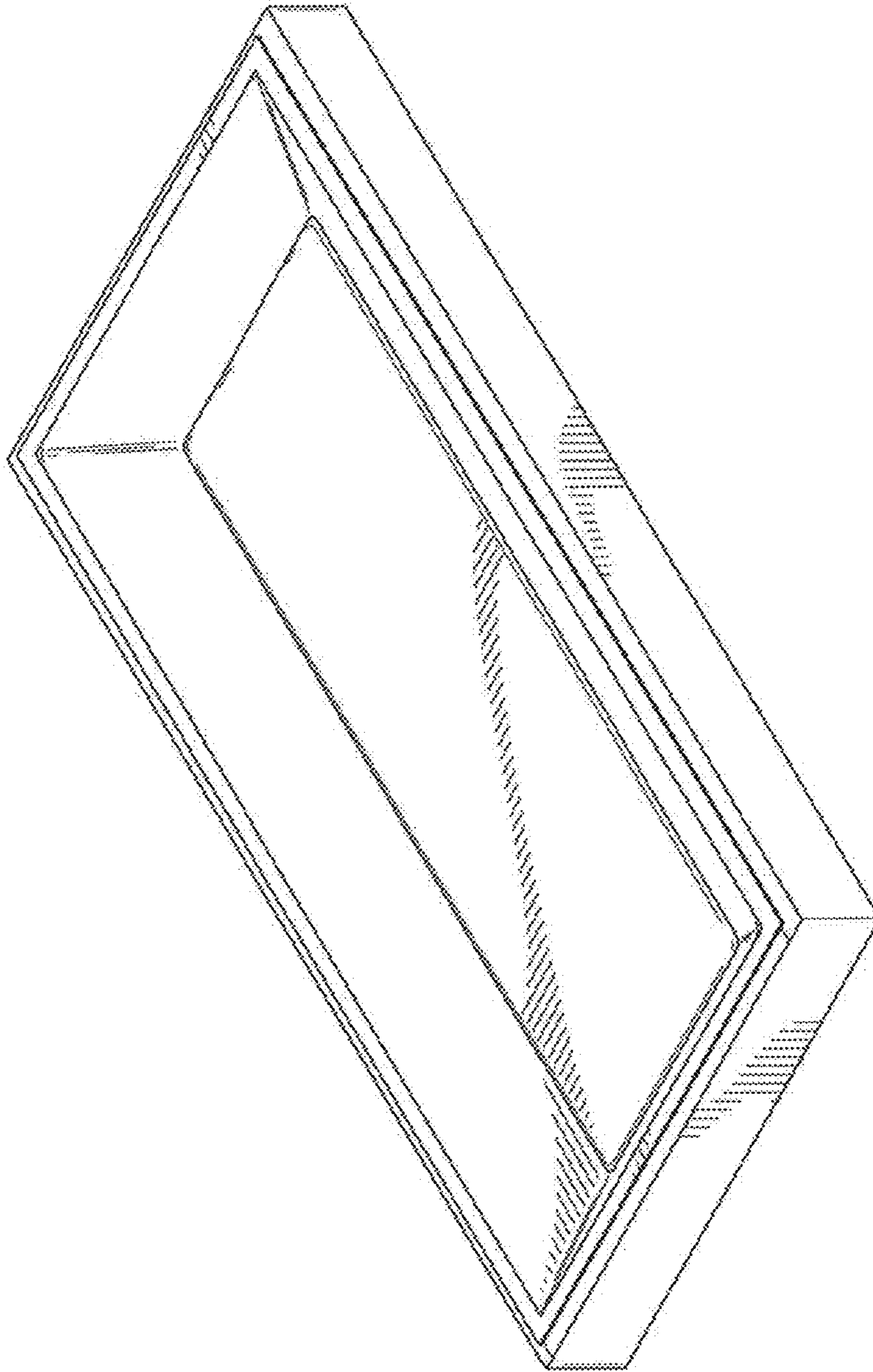


FIG. 18

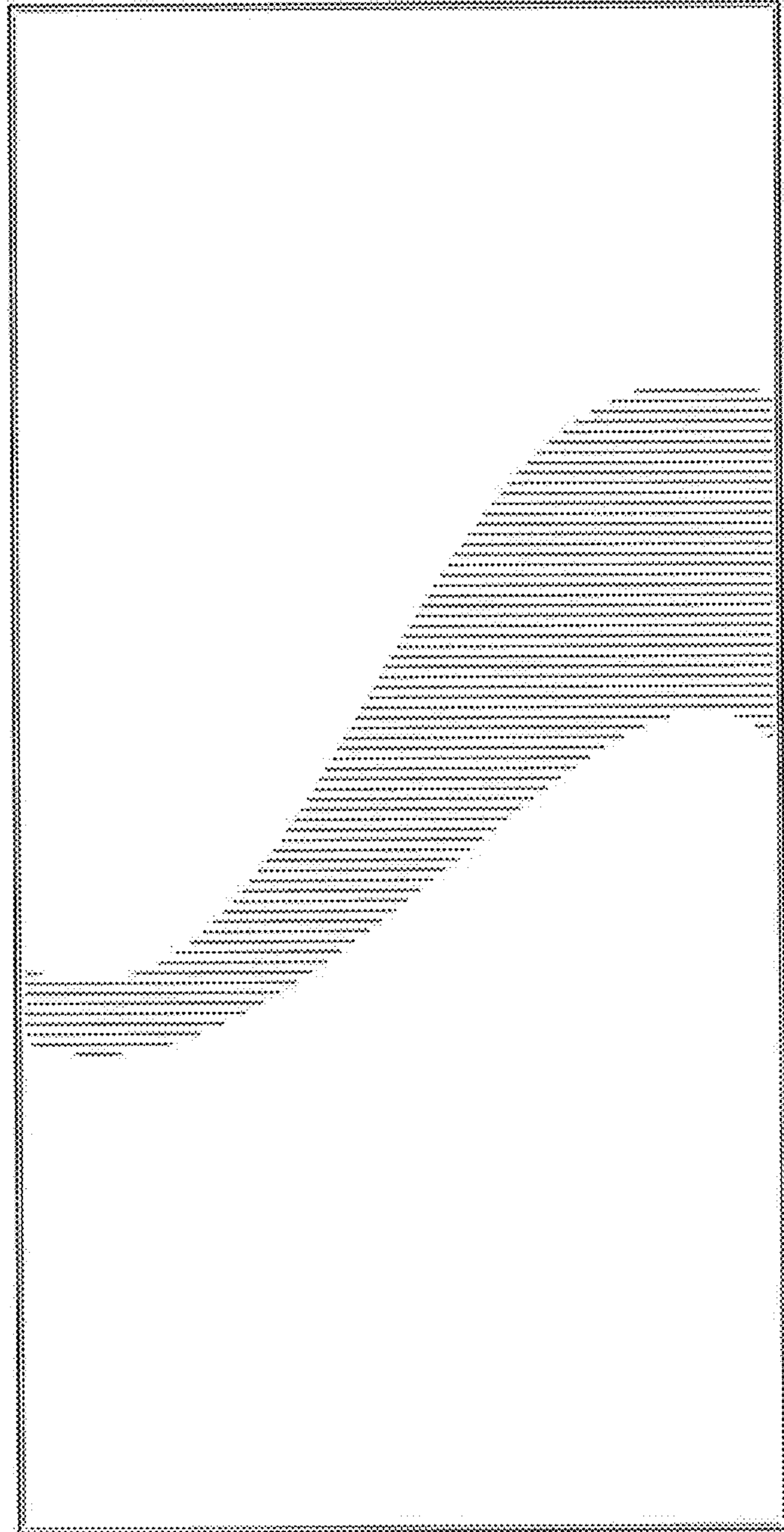


FIG. 19

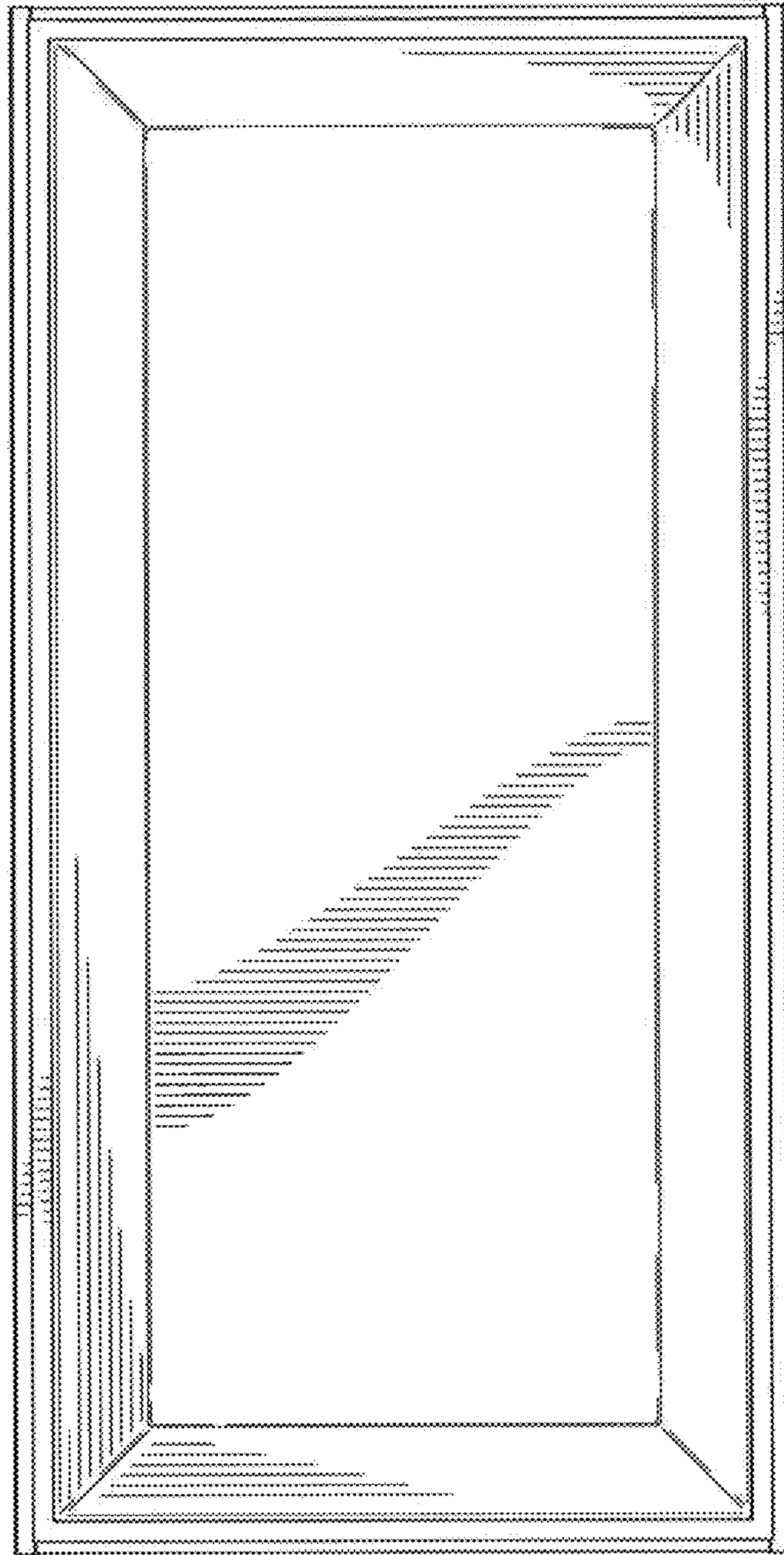


FIG. 20

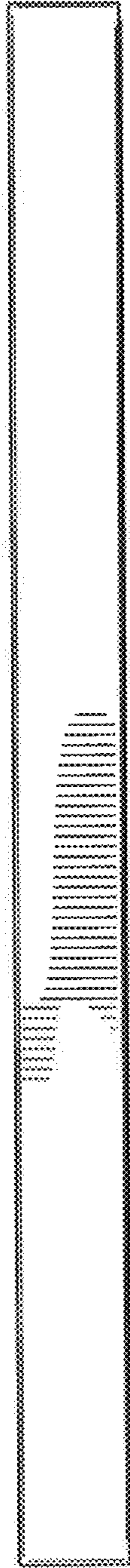


FIG. 21

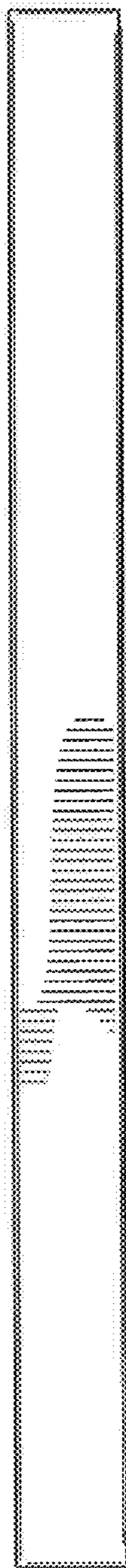
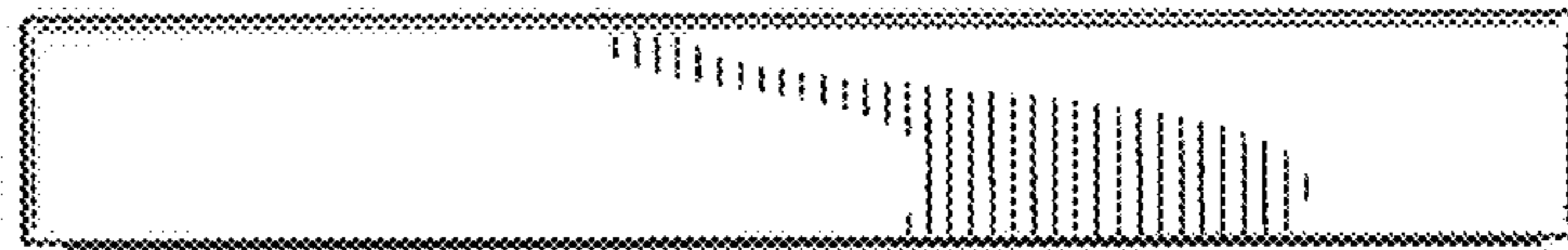


FIG. 22





**FIG. 23**



*FIG. 24*