



US00D749255S

(12) **United States Design Patent**
Robinson et al.

(10) **Patent No.:** **US D749,255 S**

(45) **Date of Patent:** **** Feb. 9, 2016**

(54) **FLASHLIGHT**

(71) Applicants: **Glenn Robinson**, Parkland, FL (US);
Allan Ospina, Hallandale Beach, FL (US)

(72) Inventors: **Glenn Robinson**, Parkland, FL (US);
Allan Ospina, Hallandale Beach, FL (US)

(**) Term: **14 Years**

(21) Appl. No.: **29/474,595**

(22) Filed: **Nov. 17, 2014**

(51) **LOC (10) Cl.** **26-02**

(52) **U.S. Cl.**
USPC **D26/37**

(58) **Field of Classification Search**
USPC D26/37-50; 362/171-174, 183-208
CPC F21V 33/00; F21V 14/025; F21V 21/406;
F21Y 2101/02; F21L 2003/00; F21L 2005/00;
F21L 2/00; F21L 4/00; F21L 4/005; F21L
17/00; F21L 13/08
See application file for complete search history.

(56) **References Cited**

U.S. PATENT DOCUMENTS

D554,281 S * 10/2007 Bushee D26/37
D554,787 S * 11/2007 Shiu D26/49

D565,220 S * 3/2008 Galli D26/49
D567,976 S * 4/2008 Shiu D26/37
D569,538 S * 5/2008 Leung D26/49
D570,511 S * 6/2008 Shiu D26/49
D577,843 S * 9/2008 Couture D26/49
D578,688 S * 10/2008 Kim D26/37
D578,689 S * 10/2008 Kim D26/37
D578,690 S * 10/2008 Kim D26/37

* cited by examiner

Primary Examiner — Marcus Jackson

(74) *Attorney, Agent, or Firm* — Dan DeLaRosa

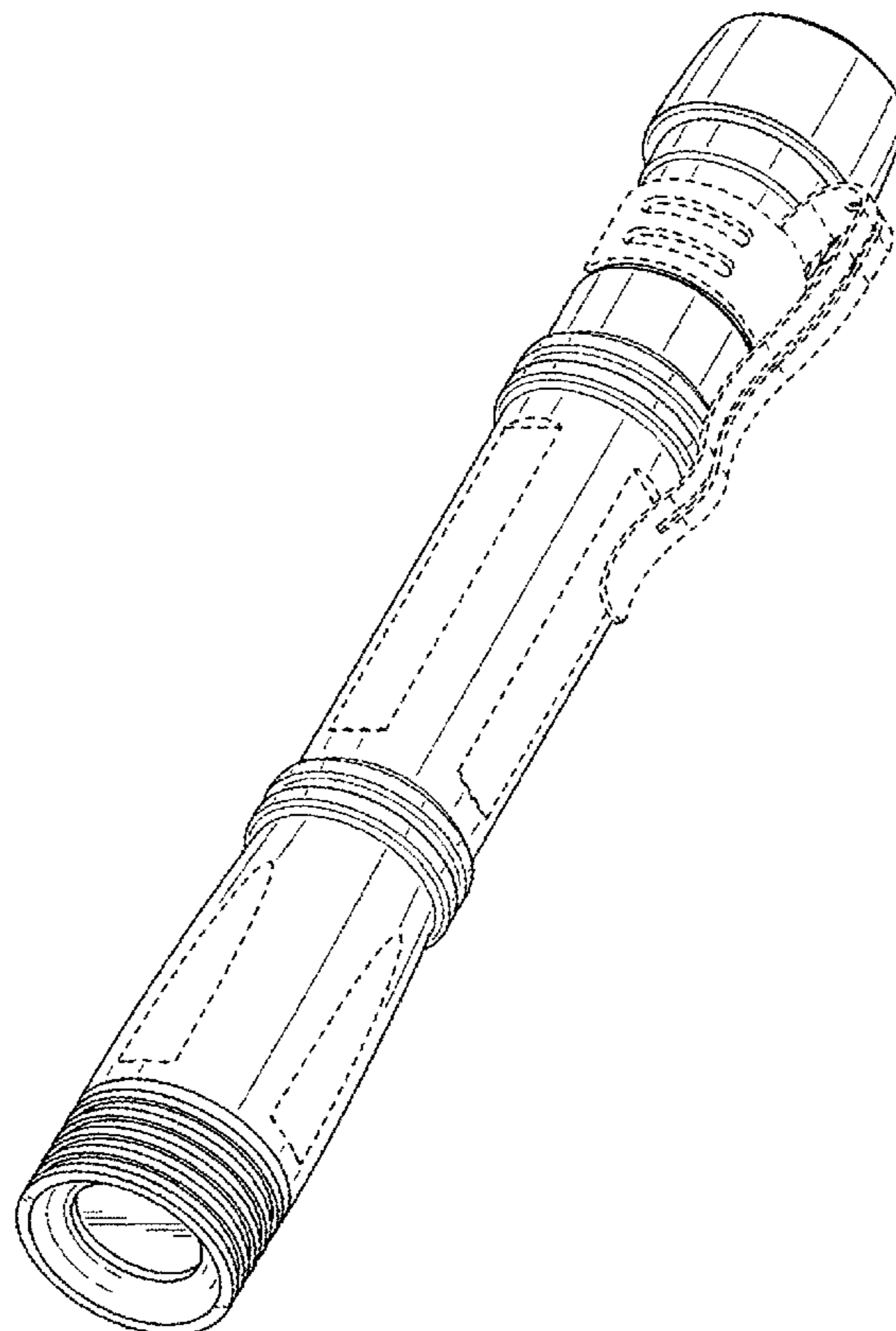
(57) **CLAIM**

The ornamental design for a flashlight, as shown and described.

DESCRIPTION

FIG. 1 is a perspective view of the flashlight of the present invention showing my new design;
FIG. 2 is a front side elevational view thereof;
FIG. 3 is back side elevational view thereof;
FIG. 4 is a side elevational view thereof;
FIG. 5 is a another side elevational view thereof;
FIG. 6 is a top plan view thereof; and,
FIG. 7 is a bottom plan view thereof.

1 Claim, 4 Drawing Sheets



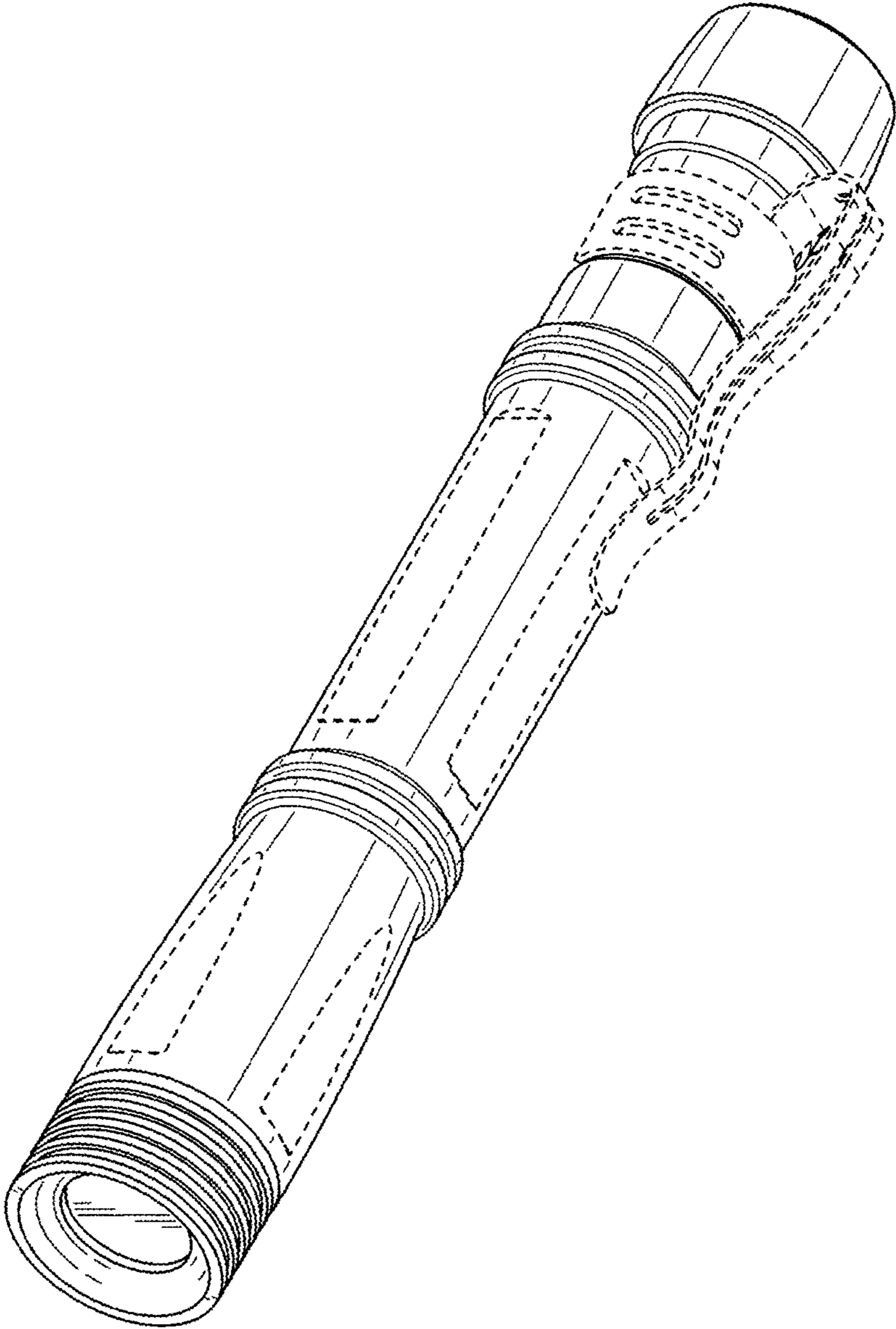


FIG. 1

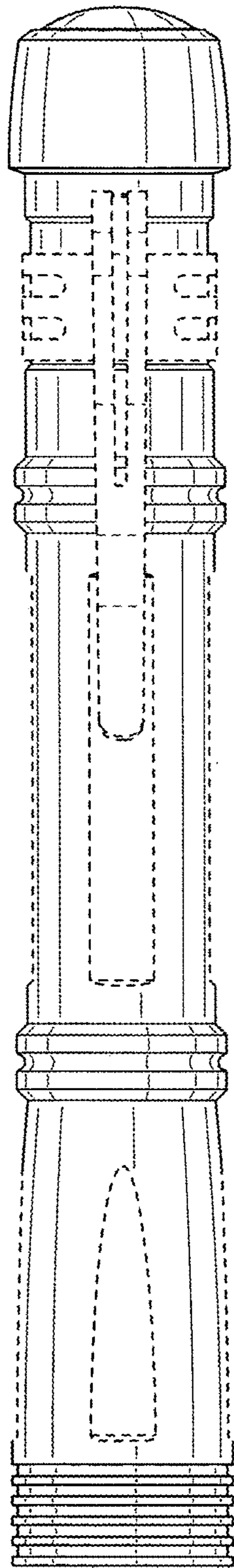


FIG. 2

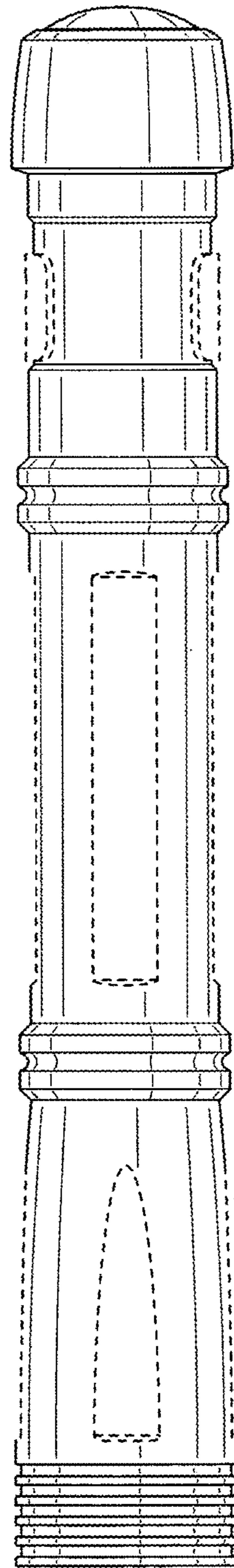


FIG. 3

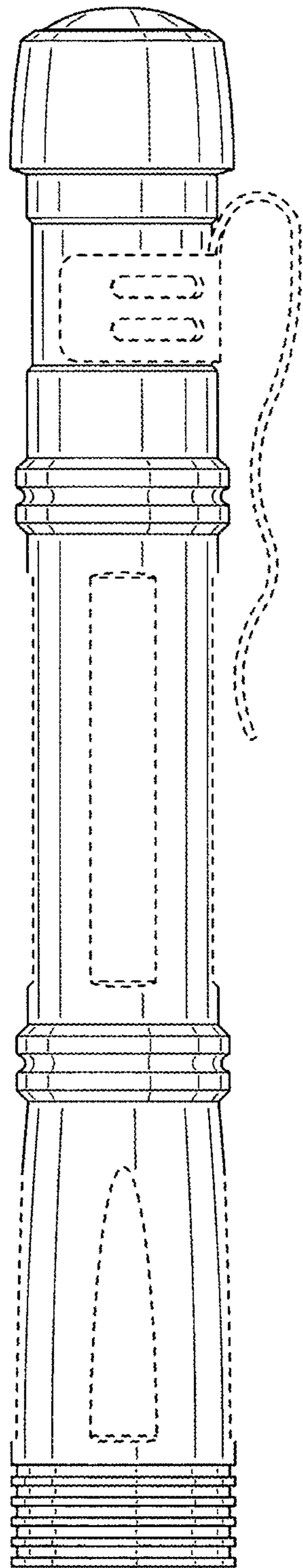


FIG. 4

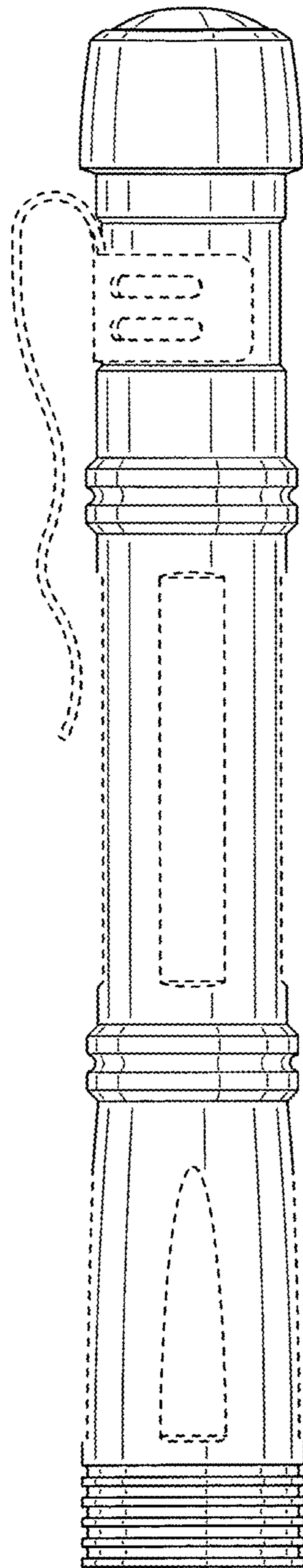


FIG. 5

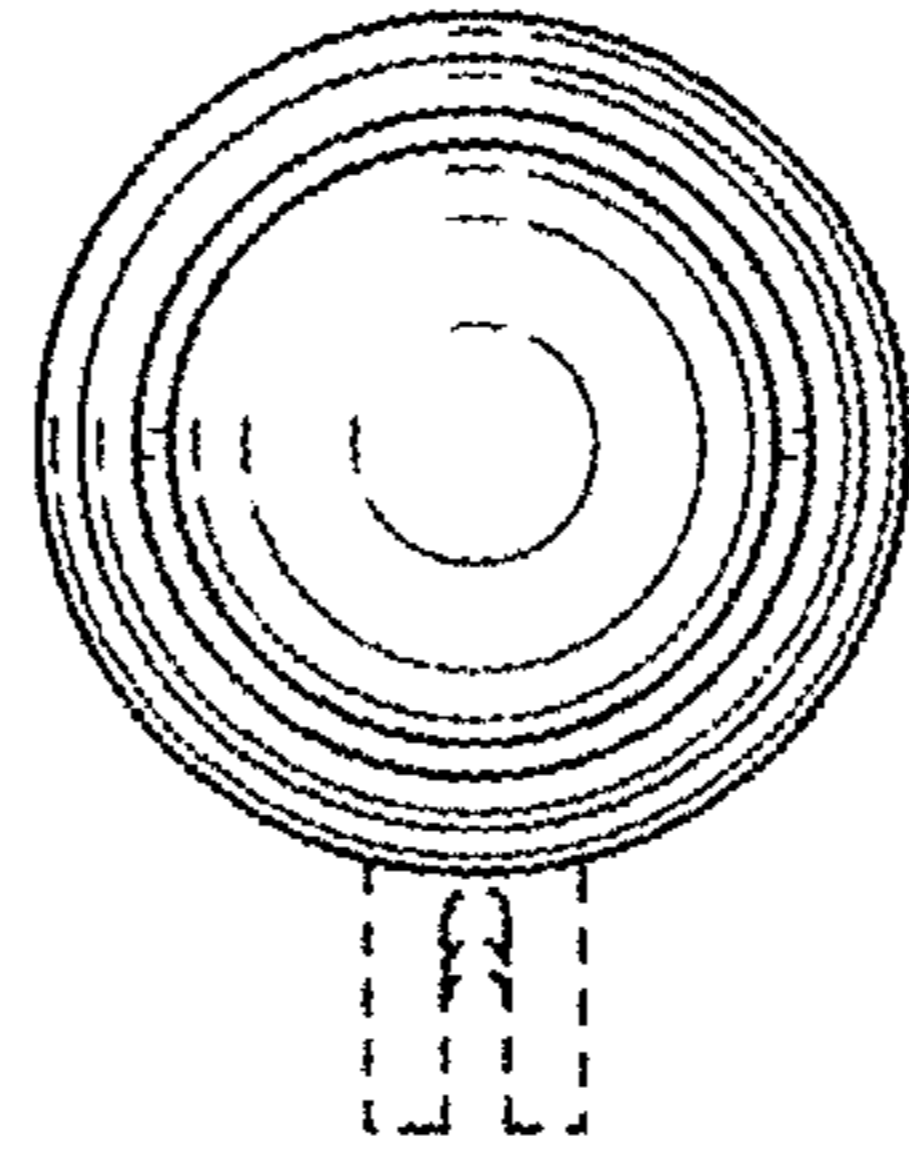


FIG. 6

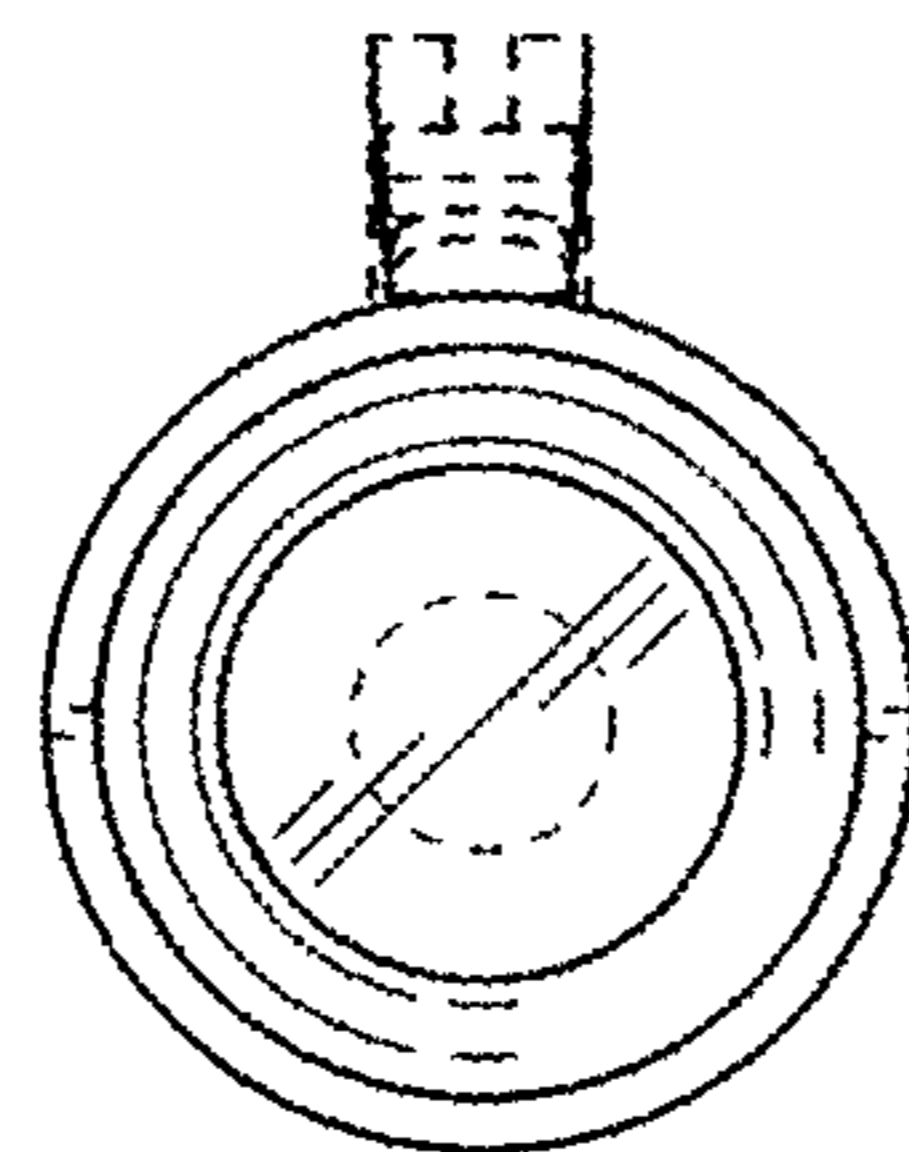


FIG. 7