



US00D749253S

(12) **United States Design Patent**  
**Marroquin**

(10) **Patent No.:** **US D749,253 S**  
(45) **Date of Patent:** **\*\* Feb. 9, 2016**

(54) **VEHICLE LIGHT BAR**

(71) Applicant: **Josep Marroquin**, Corona, CA (US)

(72) Inventor: **Josep Marroquin**, Corona, CA (US)

(\*\*) Term: **14 Years**

(21) Appl. No.: **29/511,999**

(22) Filed: **Dec. 16, 2014**

(51) **LOC (10) Cl.** ..... **26-06**

(52) **U.S. Cl.**  
USPC ..... **D26/31**

(58) **Field of Classification Search**  
USPC ..... D26/28-36; 362/459-468, 475-478,  
362/485-487

CPC ..... F21S 48/00; F21S 48/10; F21S 48/115;  
F21S 48/225; F21S 48/1233; F21S 48/1266;  
F21S 48/1388; F21S 48/2268; F21V 21/04  
See application file for complete search history.

(56) **References Cited**

**U.S. PATENT DOCUMENTS**

D331,472 S	*	12/1992	Campbell	.....	D20/10
D499,198 S	*	11/2004	Cowan	.....	D26/31
D564,683 S	*	3/2008	Roach	.....	D26/28
D656,258 S	*	3/2012	Georgitsis	.....	D26/31
D676,990 S	*	2/2013	Adams	.....	D26/31
D713,574 S		9/2014	Adams		

**OTHER PUBLICATIONS**

<http://www.rigidindustries.com/led-lighting/17371>.

\* cited by examiner

*Primary Examiner* — Marcus Jackson

(74) *Attorney, Agent, or Firm* — Kirk A. Buhler; Buhler & Associates

(57) **CLAIM**

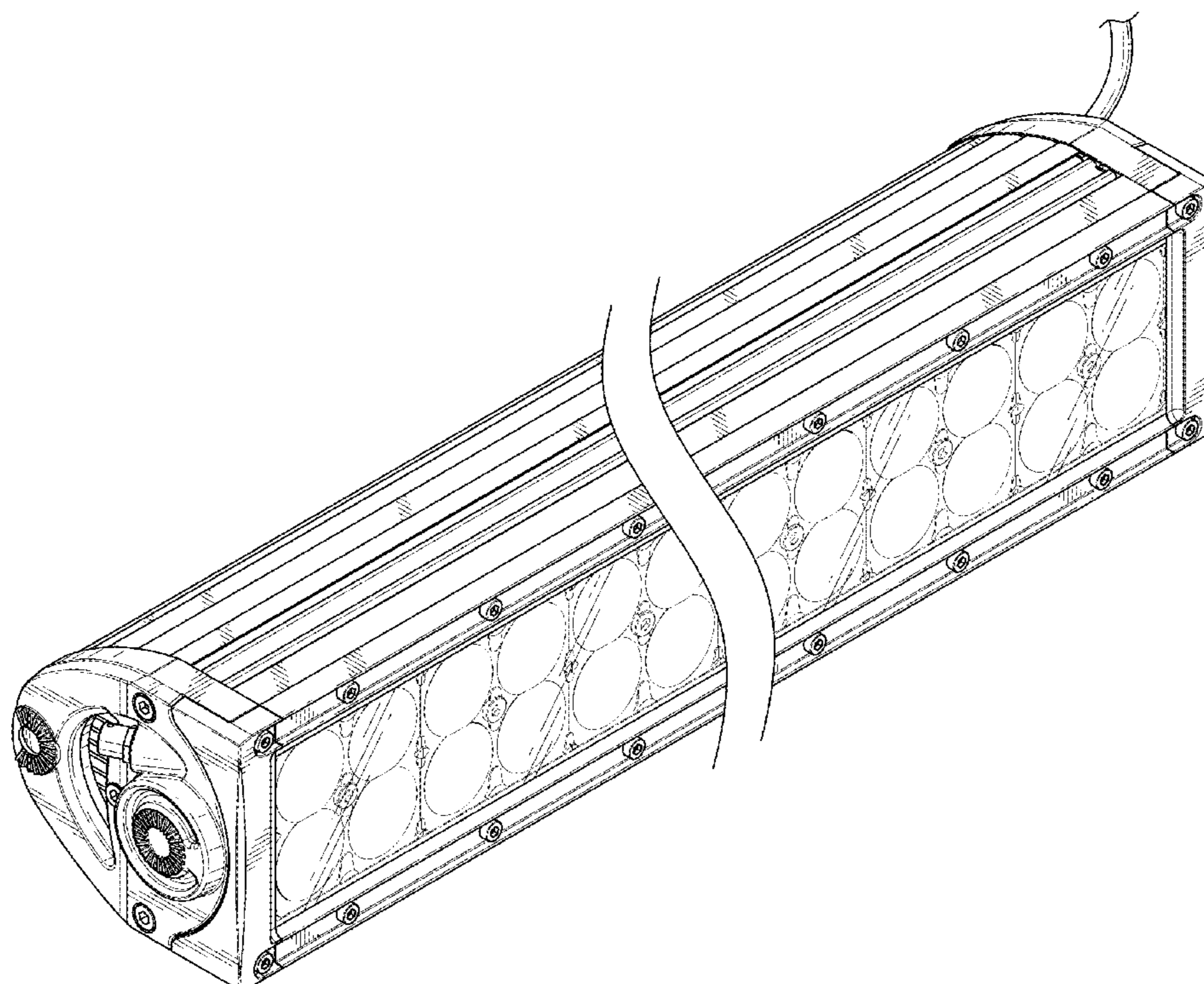
The ornamental design for a vehicle light bar, as shown and described.

**DESCRIPTION**

FIG. 1 is a top perspective view for a vehicle light bar showing my new design;  
FIG. 2 is a front side view thereof;  
FIG. 3 is a back side view thereof;  
FIG. 4 is a top side view thereof;  
FIG. 5 is a bottom side view thereof;  
FIG. 6 is a left side view thereof; and,  
FIG. 7 is a right side view thereof.

The claimed design is shown broken away to indicate that no particular length of the vehicle light bar forms a part of the claimed design.

**1 Claim, 4 Drawing Sheets**



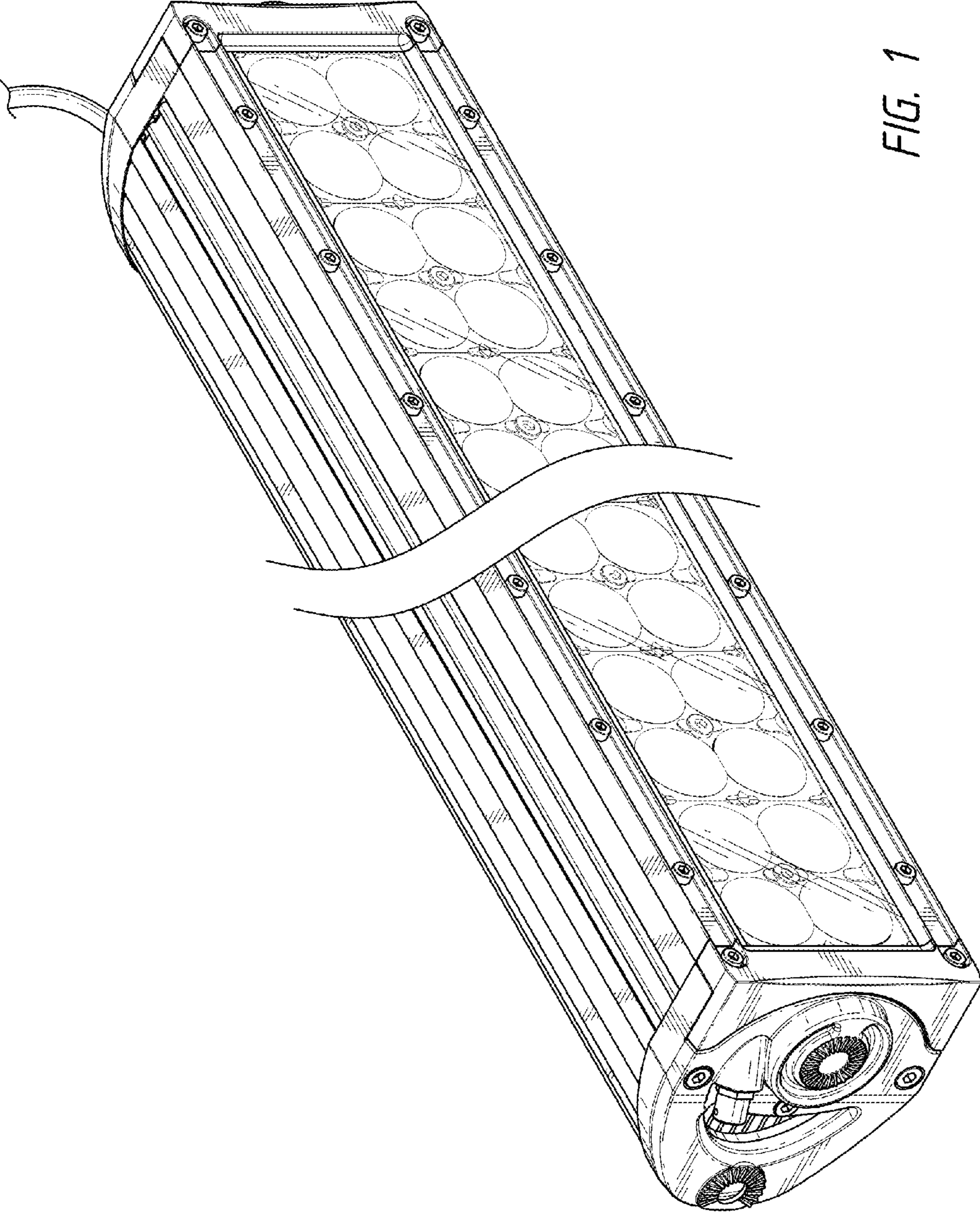


FIG. 1



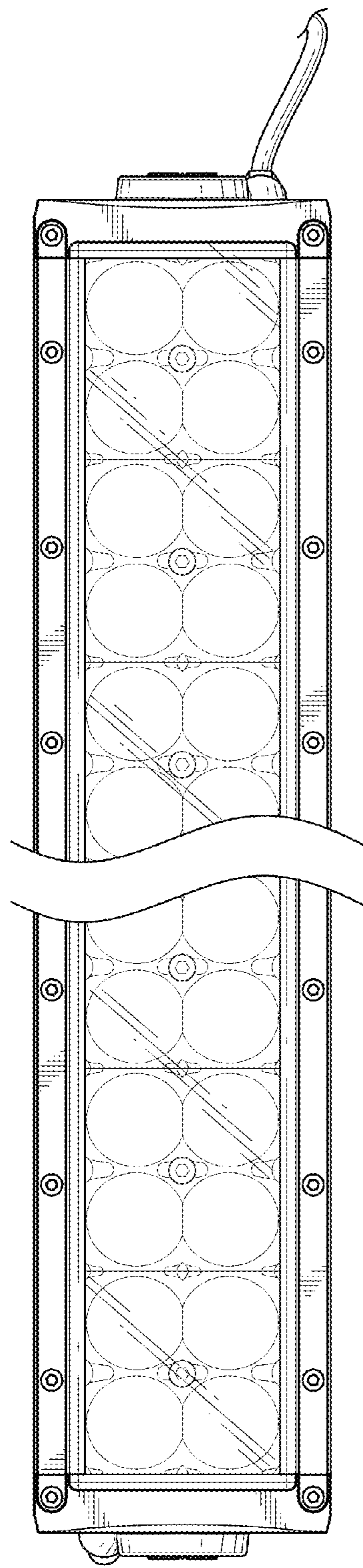


FIG. 2

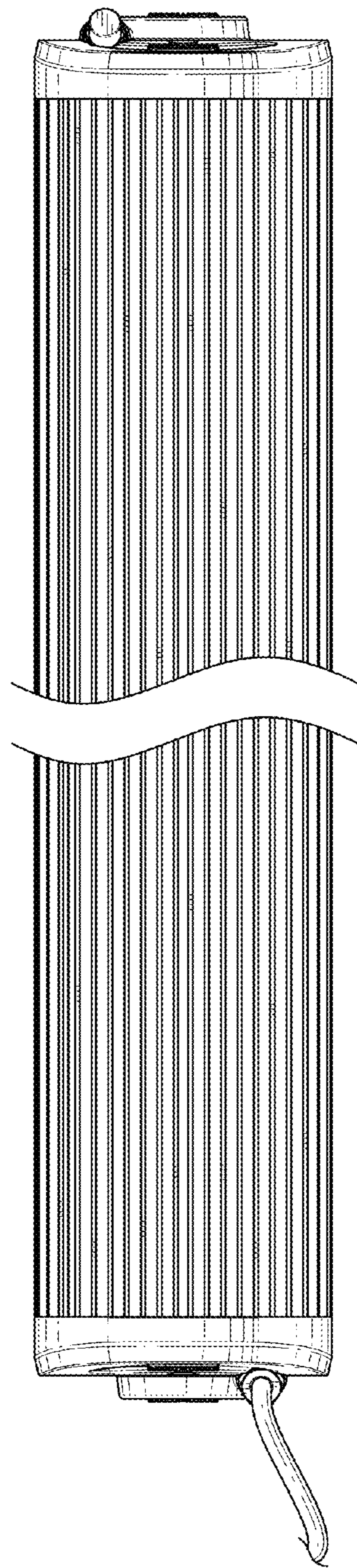


FIG. 3

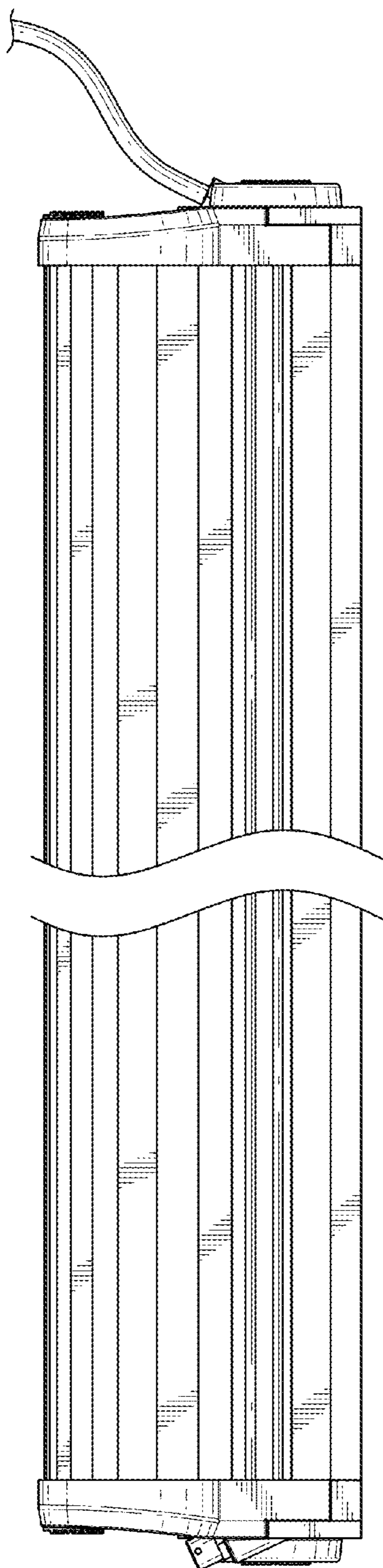


FIG. 4

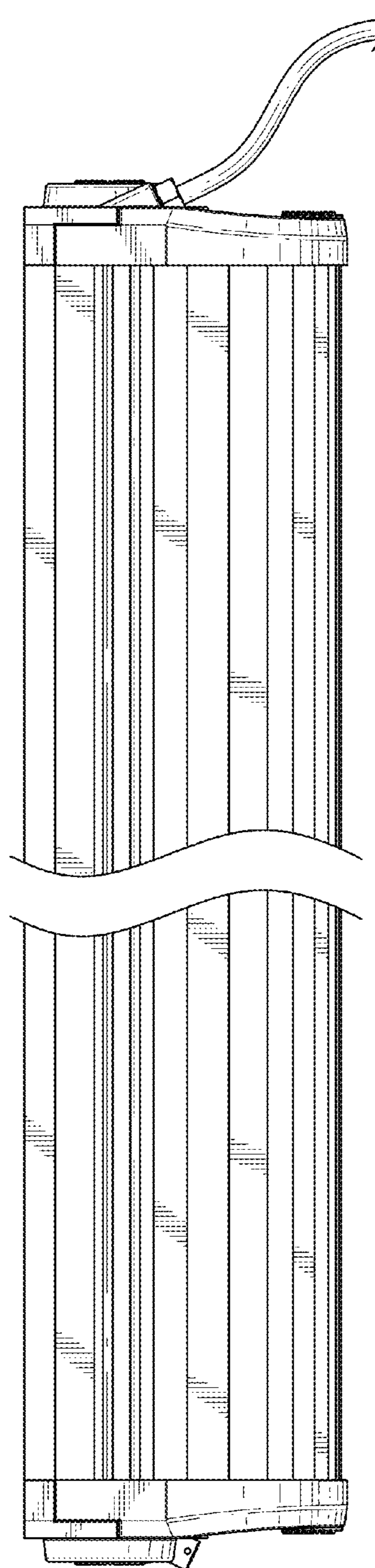


FIG. 5

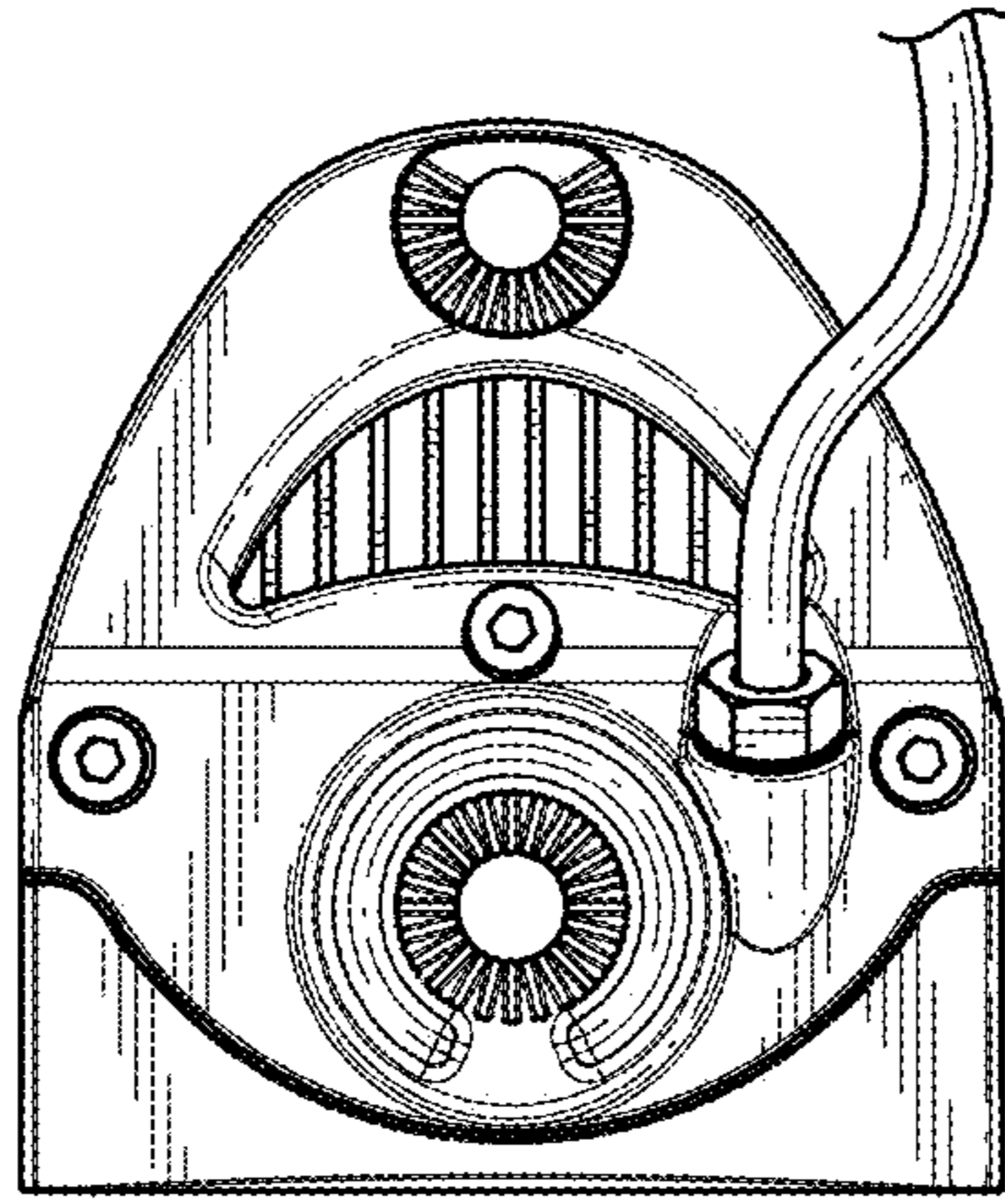


FIG. 7

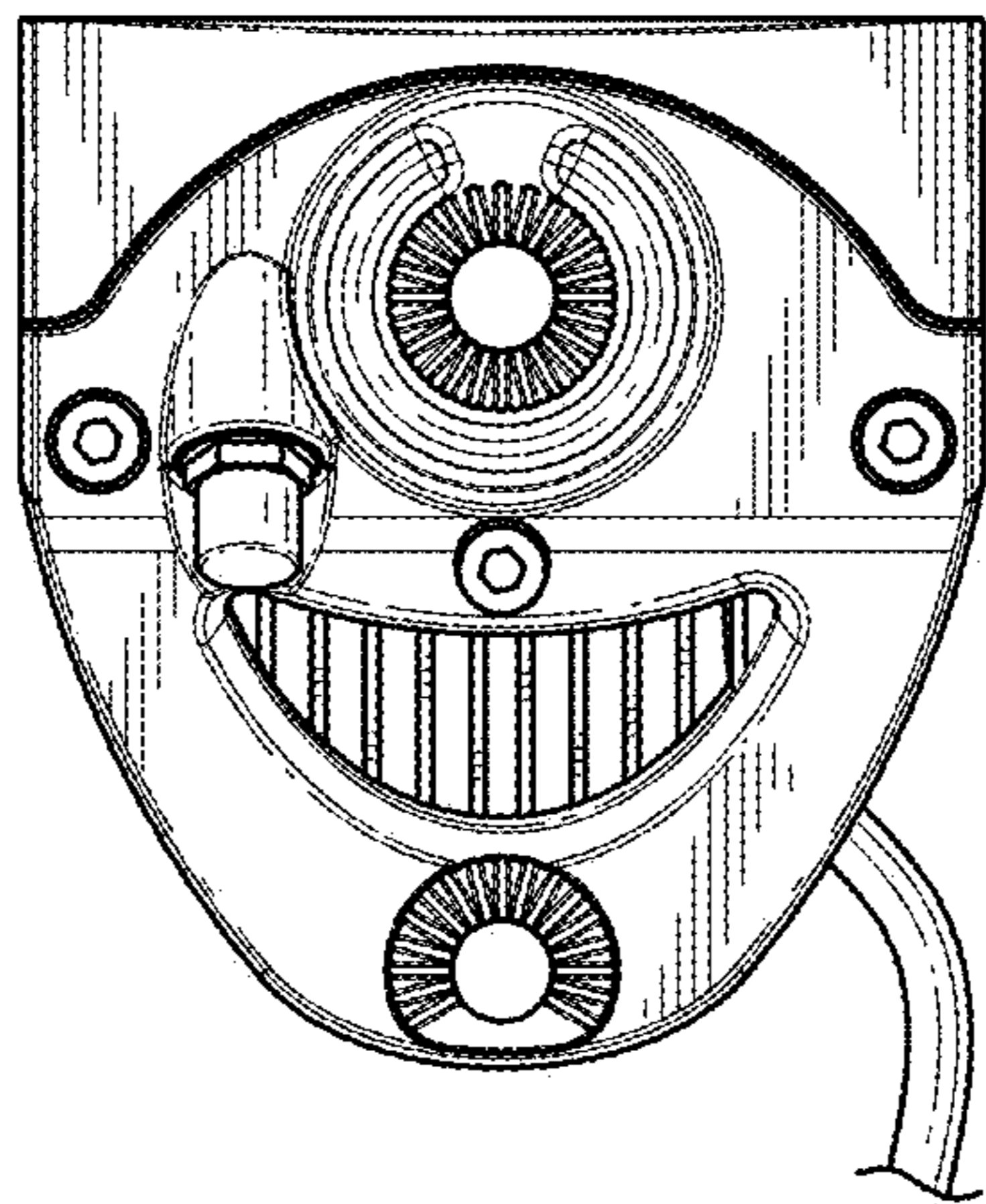


FIG. 6