



US00D749250S

(12) **United States Design Patent**
Thole et al.

(10) **Patent No.:** **US D749,250 S**
(45) **Date of Patent:** **** Feb. 9, 2016**

(54) **VEHICLE REAR TAILLAMP LENS**

(71) Applicant: **GM GLOBAL TECHNOLOGY OPERATIONS LLC**, Detroit, MI (US)

(72) Inventors: **Louis D. Thole**, Grosse Pointe Park, MI (US); **Marc A. Mainville**, Grosse Pointe Woods, MI (US); **Holger K. Koring**, Detroit, MI (US); **Hasan Zraikat**, Frankfurt am Main (DE)

(73) Assignee: **GM Global Technology Operations LLC**, Detroit, MI (US)

(**) Term: **14 Years**

(21) Appl. No.: **29/500,984**

(22) Filed: **Aug. 29, 2014**

(51) **LOC (10) Cl.** **26-05**

(52) **U.S. Cl.**
USPC **D26/28**

(58) **Field of Classification Search**
USPC D26/28-36; 362/459-468, 475-478, 362/485, 486, 487
CPC B60Q 1/02; B60Q 1/04
See application file for complete search history.

(56) **References Cited**

U.S. PATENT DOCUMENTS

D302,320 S * 7/1989 Toyota D26/28
D321,946 S * 11/1991 Falck D26/35

D499,497 S * 12/2004 Hou D26/28
D518,200 S * 3/2006 Honda D26/28
D520,153 S * 5/2006 Otto D26/28
D536,809 S * 2/2007 James D26/28
D601,732 S * 10/2009 Han D26/28
D683,870 S * 6/2013 Schmeckpeper D26/28
D683,871 S * 6/2013 Munson D26/28
D692,598 S * 10/2013 Davis D26/28
D730,551 S * 5/2015 George D26/28
D730,552 S * 5/2015 George D26/28

OTHER PUBLICATIONS

Design U.S. Appl. No. 29/477,931, filed Dec. 30, 2013; First Named Inventor: Louis D. Thole; Title: Vehicle Body Exterior.
Design U.S. Appl. No. 29/498,271, filed Aug. 1, 2014; First Named Inventor: Candice M. Willett; Title: Vehicle Rear Taillamp Lens.

* cited by examiner

Primary Examiner — Ian Simmons

Assistant Examiner — Harold Blackwell, II

(74) *Attorney, Agent, or Firm* — Reising Ethington P.C.

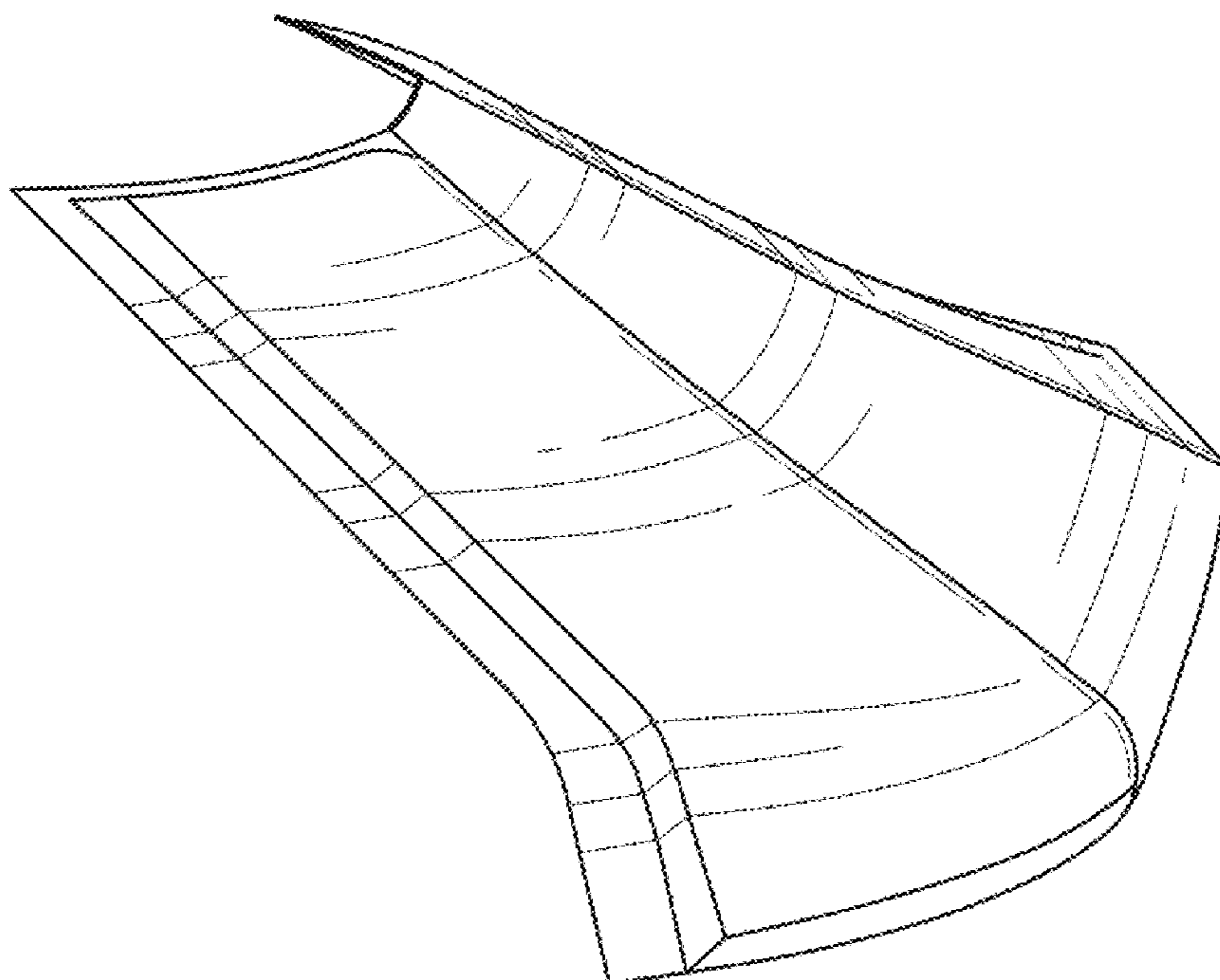
(57) **CLAIM**

The ornamental design for a vehicle rear taillamp lens, as shown and described.

DESCRIPTION

FIG. 1 is a top plan view thereof;
FIG. 2 is a perspective view thereof;
FIG. 3 is a rear view thereof; and,
FIG. 4 is a side view thereof.

1 Claim, 2 Drawing Sheets



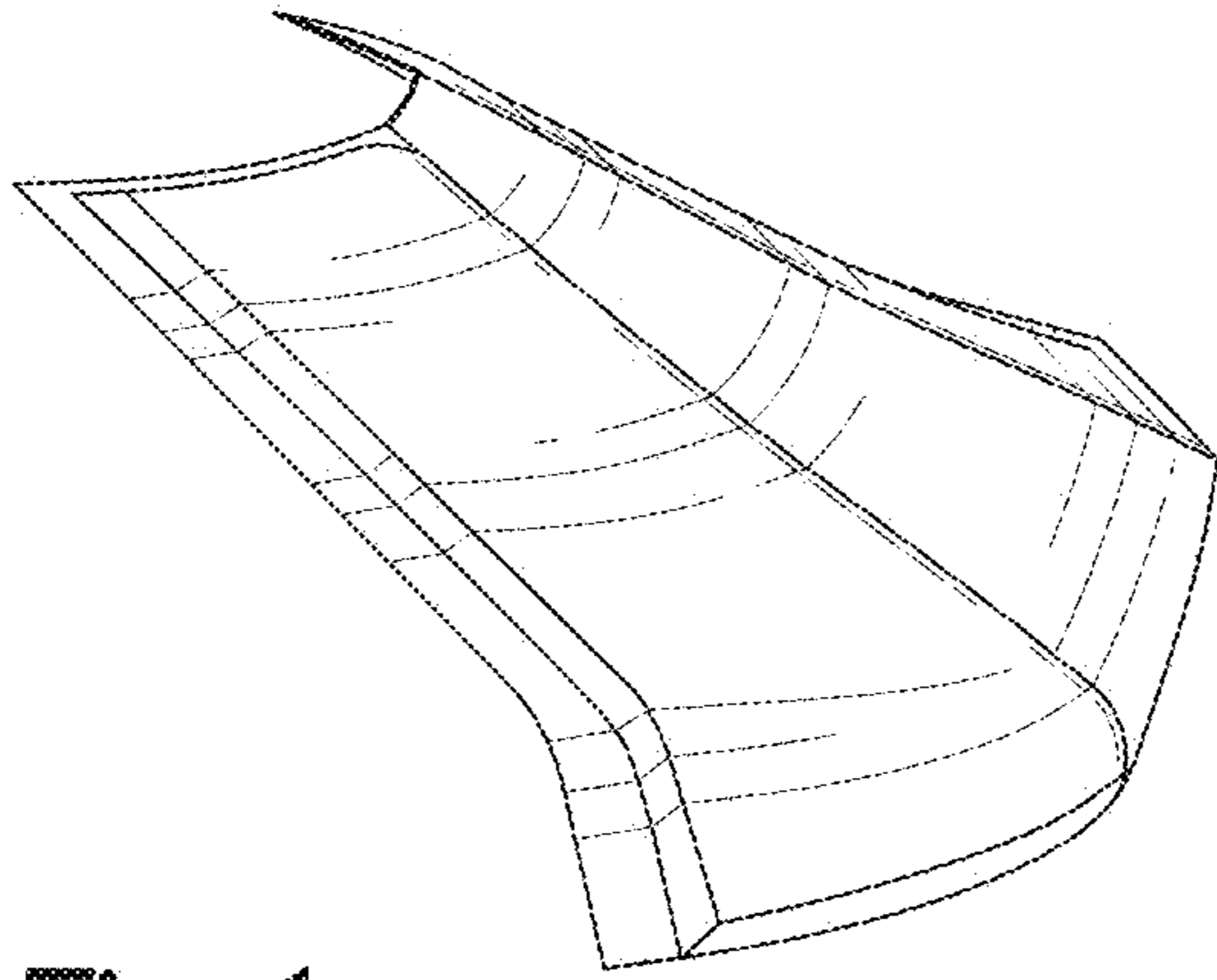


Fig-1

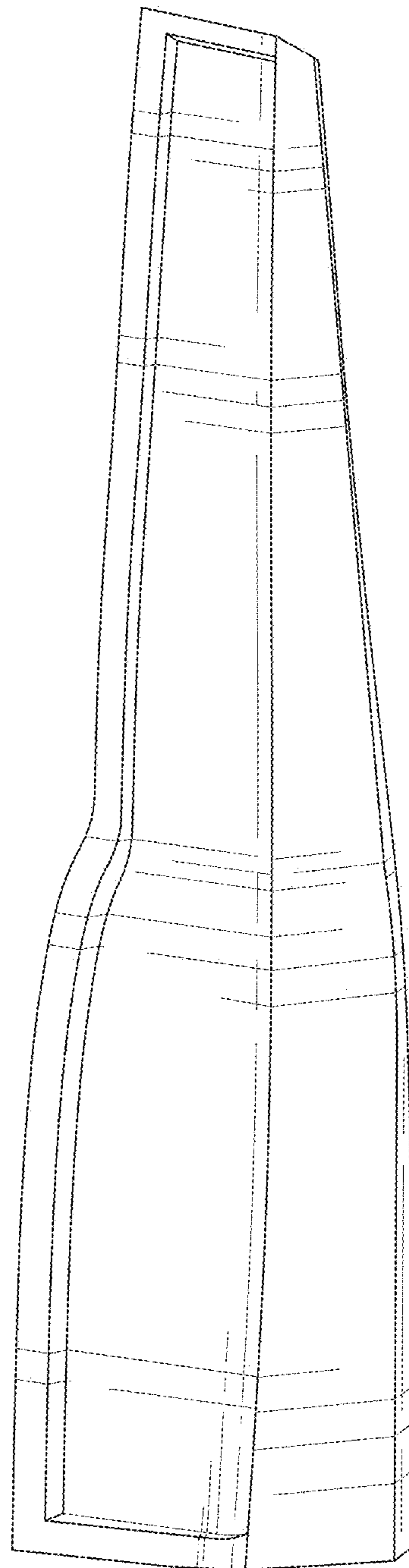


Fig-2

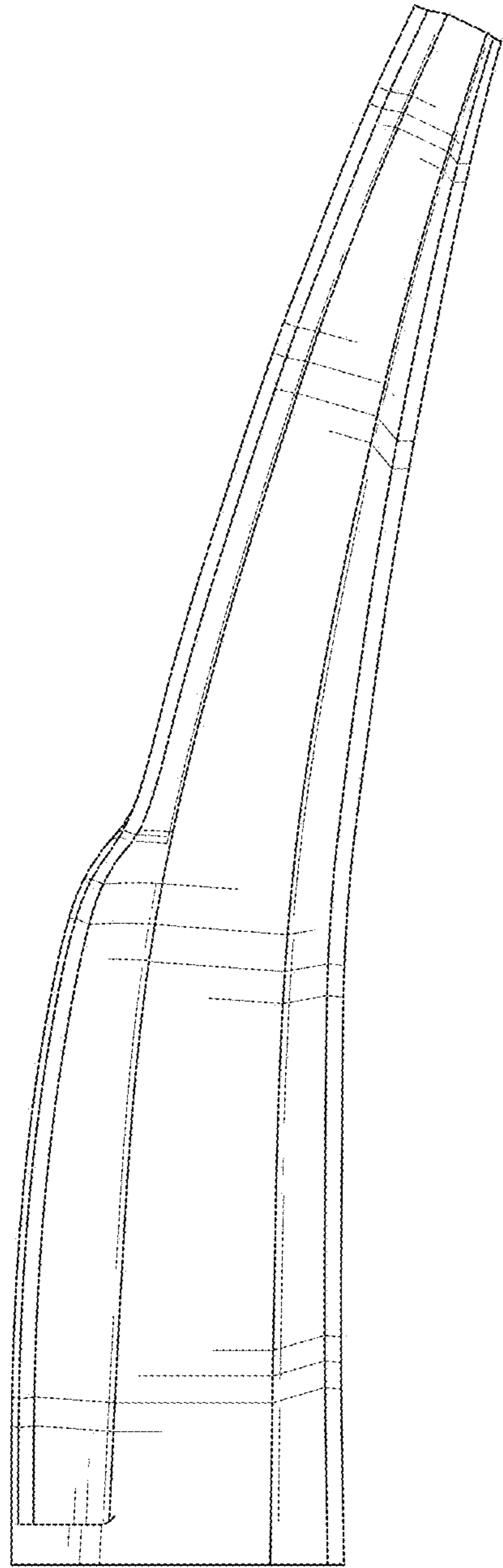


Fig-3

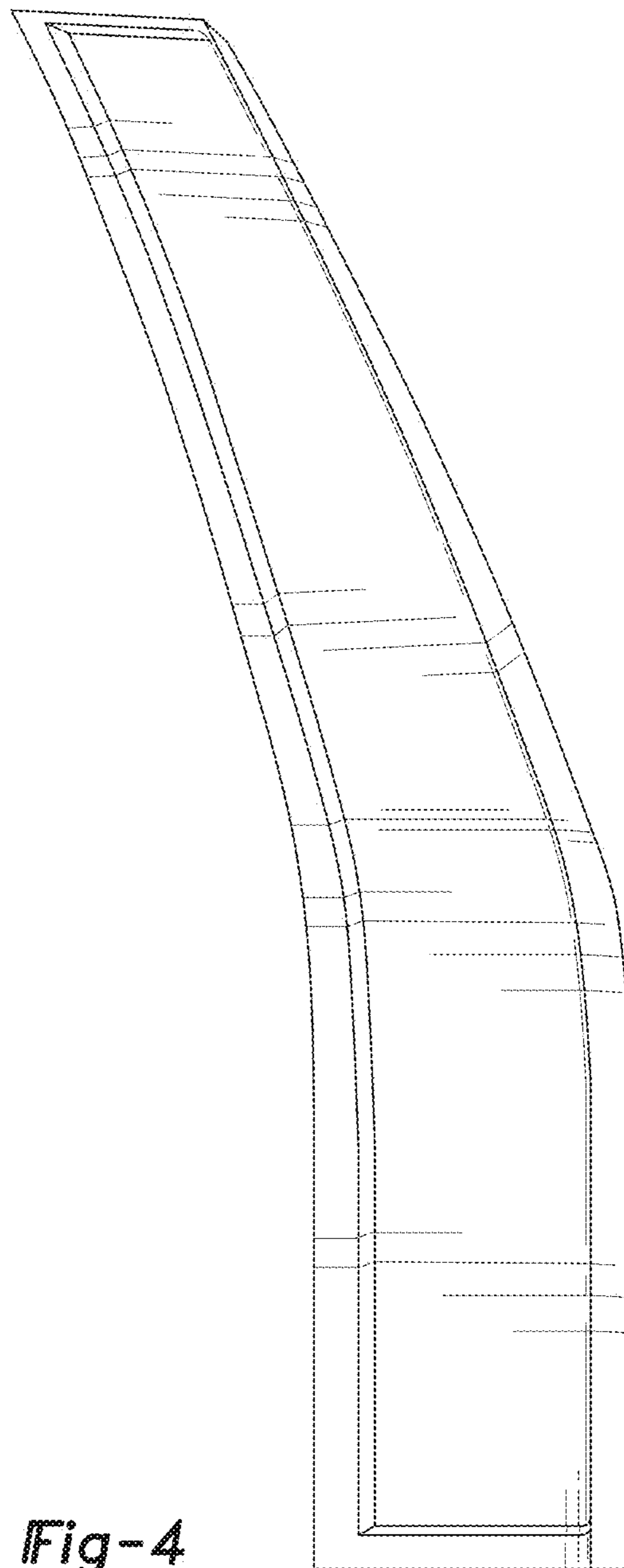


Fig-4