



US00D749249S

(12) **United States Design Patent**
Thole et al.

(10) **Patent No.:** **US D749,249 S**

(45) **Date of Patent:** **** Feb. 9, 2016**

(54) **VEHICLE FRONT HEADLAMP LENS**

(56) **References Cited**

(71) Applicant: **GM GLOBAL TECHNOLOGY OPERATIONS LLC**, Detroit, MI (US)

U.S. PATENT DOCUMENTS

(72) Inventors: **Louis D. Thole**, Grosse Pointe Park, MI (US); **Marc A. Mainville**, Grosse Pointe Woods, MI (US); **Holger K. Koring**, Detroit, MI (US); **Hasan Zraikat**, Frankfurt am Main (DE)

D301,629 S *	6/1989	Jiroubou	D26/28
D302,320 S *	7/1989	Toyota	D26/28
D683,870 S *	6/2013	Schmeckpeper	D26/28
D683,872 S *	6/2013	Munson	D26/28
D692,598 S *	10/2013	Davis	D26/28
D736,451 S *	8/2015	Smith	D26/120
D737,481 S *	8/2015	Thole	D26/28

(73) Assignee: **GM Global Technology Operations LLC**, Detroit, MI (US)

OTHER PUBLICATIONS

Design U.S. Appl. No. 29/477,931, filed Dec. 30, 2013; First Named Inventor: Louis D. Thole; Title: Vehicle Body Exterior.
Design U.S. Appl. No. 29/498,138, filed Jul. 31, 2014; First Named Inventor: Brian J. Smith; Title: Vehicle Front Headlamp Lens.

(**) Term: **14 Years**

* cited by examiner

(21) Appl. No.: **29/500,895**

Primary Examiner — Ian Simmons

Assistant Examiner — Harold Blackwell, II

(22) Filed: **Aug. 29, 2014**

(74) *Attorney, Agent, or Firm* — Reising Ethington P.C.

(51) **LOC (10) Cl.** **26-05**

(57) **CLAIM**

The ornamental design for a vehicle front headlamp lens, as shown and described.

(52) **U.S. Cl.**

USPC **D26/28**

DESCRIPTION

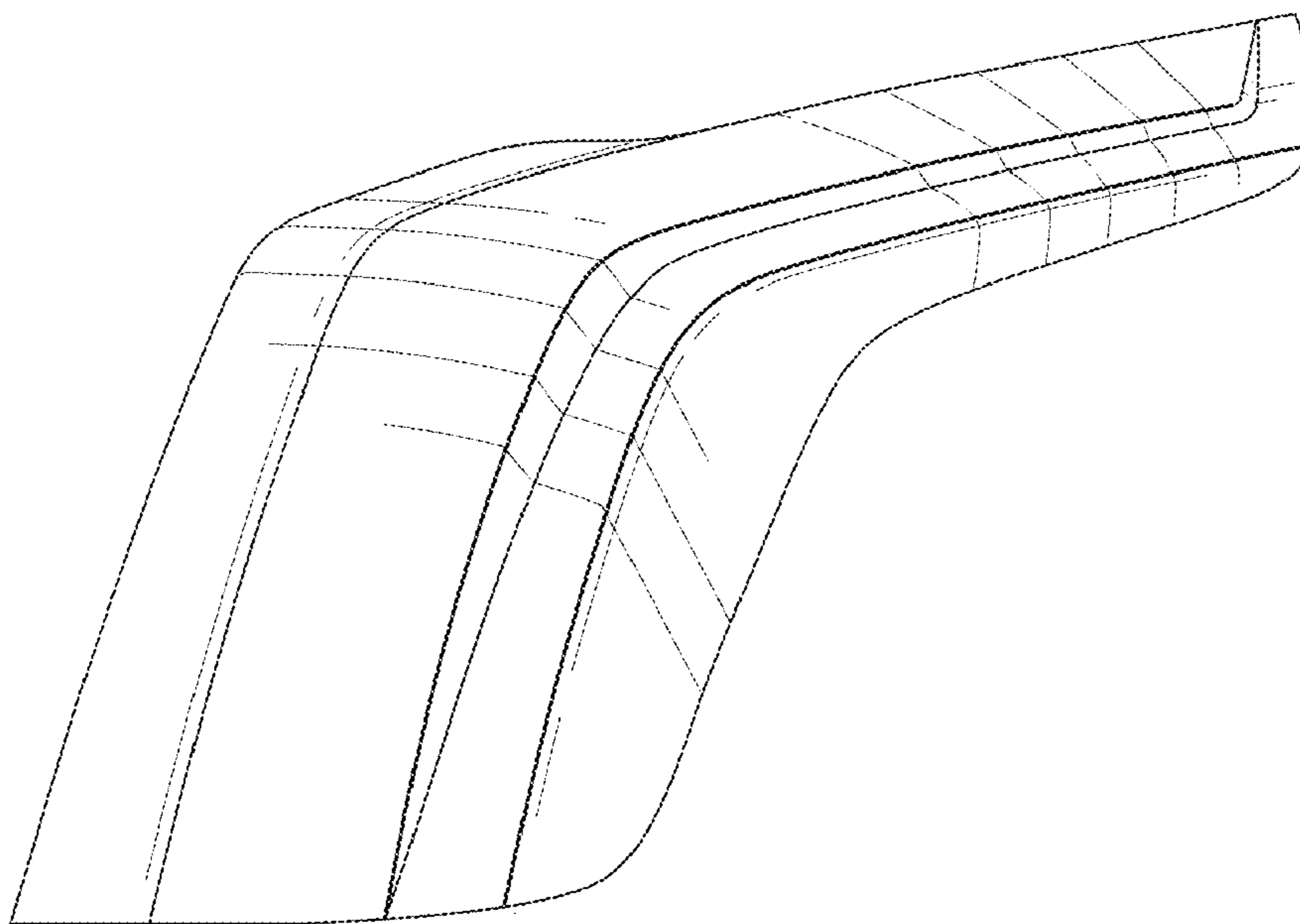
(58) **Field of Classification Search**

USPC D26/28-36, 120; 362/459-468, 362/475-478, 485, 486, 487

CPC B60Q 1/02; B60Q 1/04

See application file for complete search history.

1 Claim, 1 Drawing Sheet



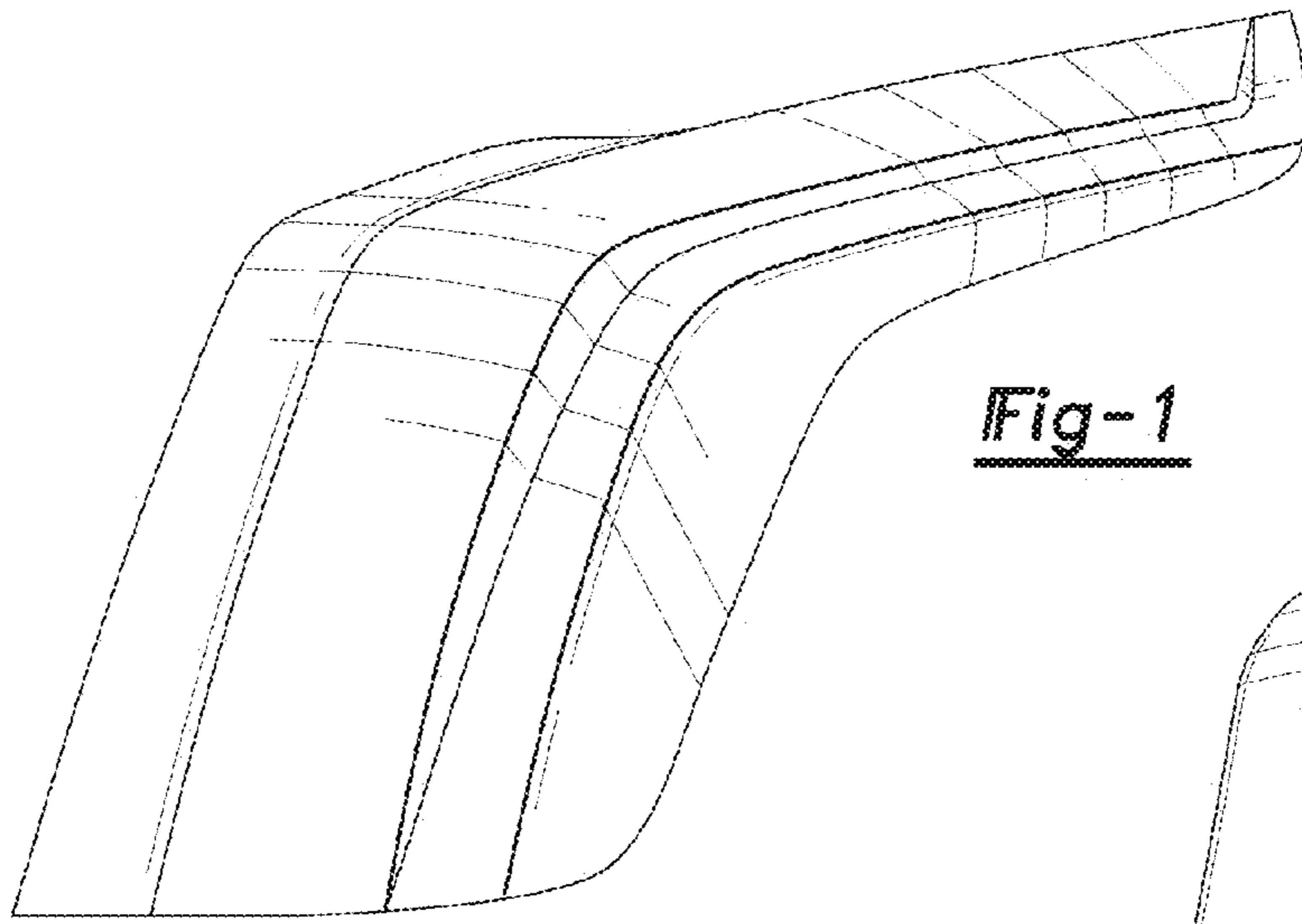


Fig-1

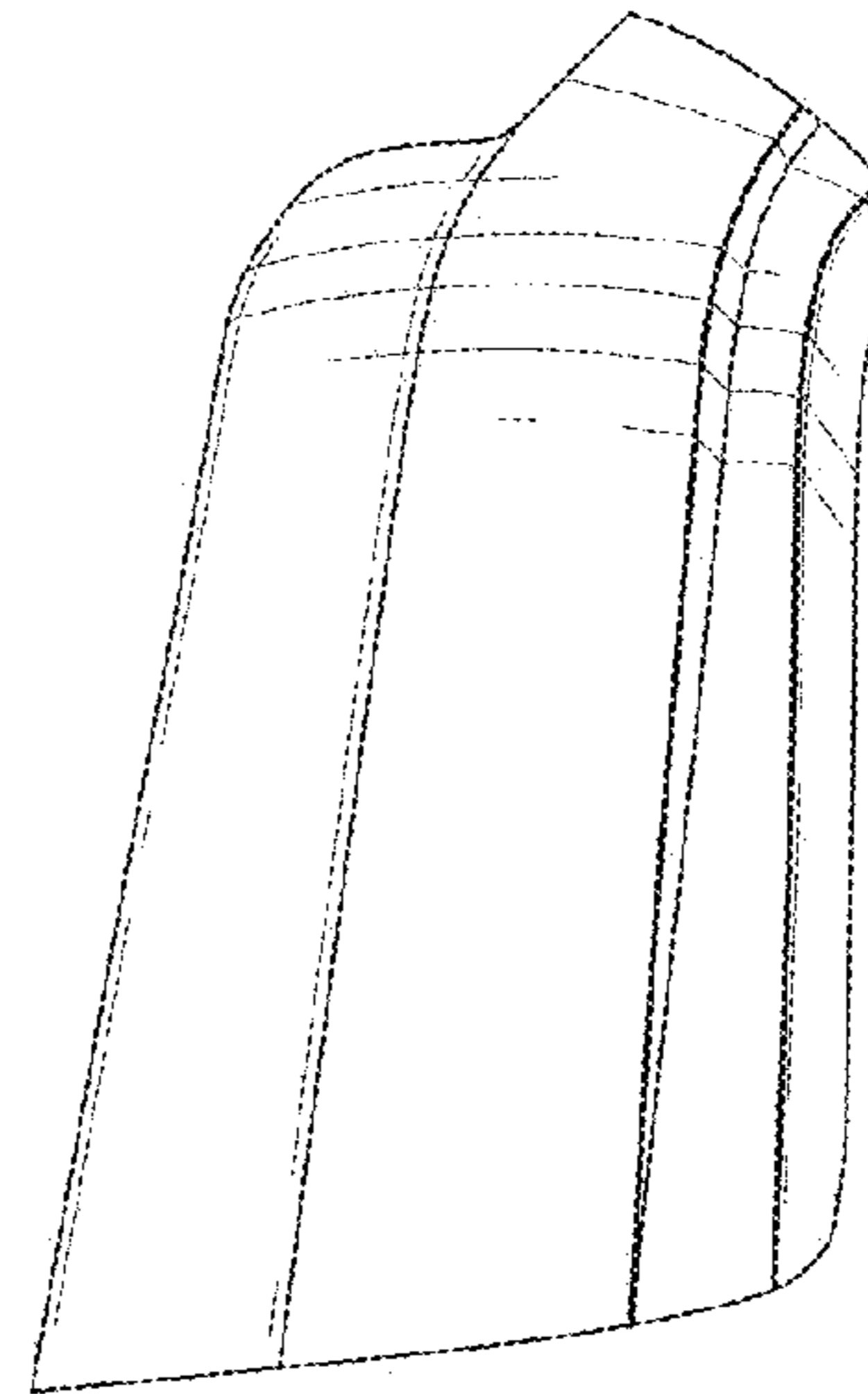


Fig-2

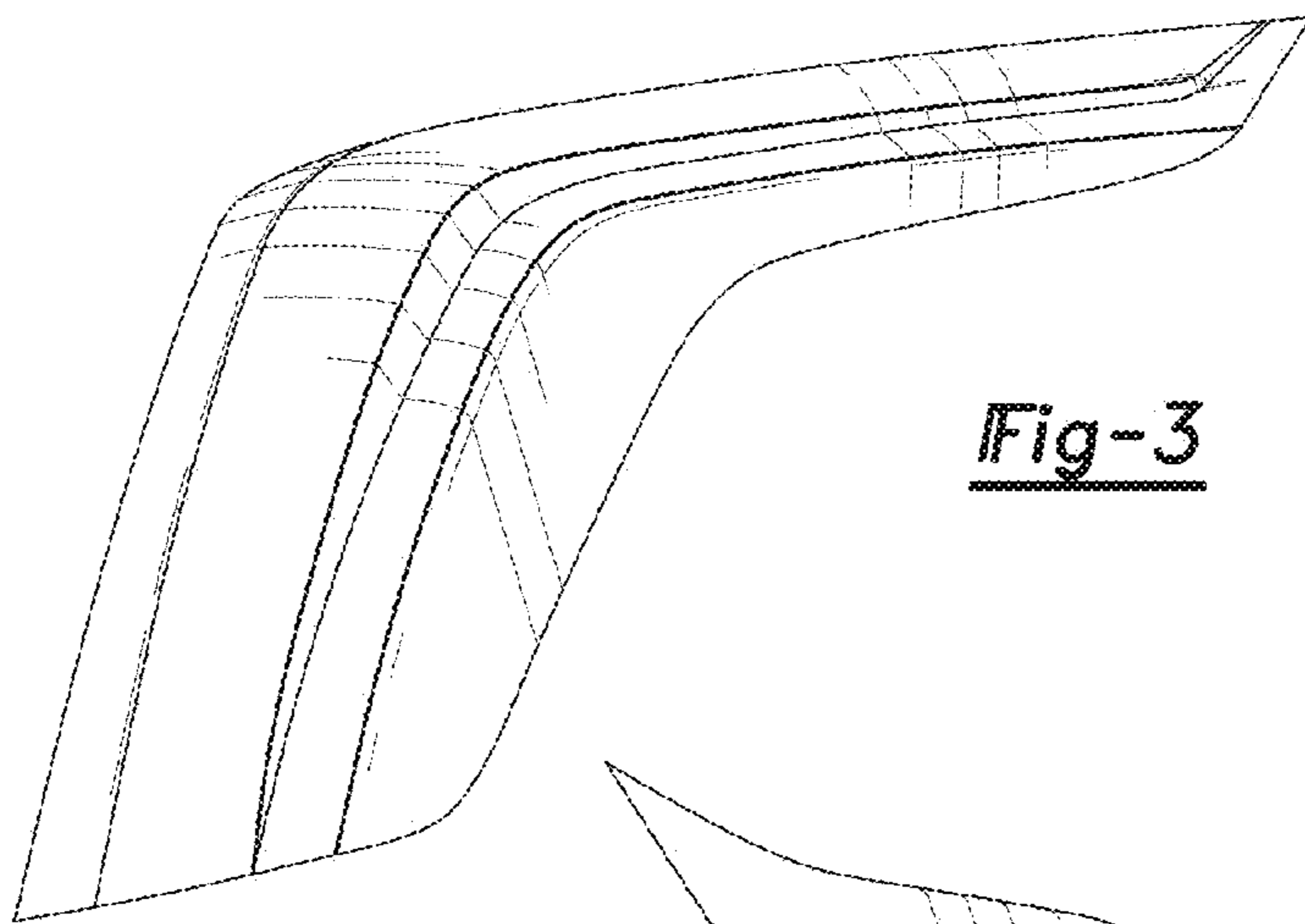


Fig-3

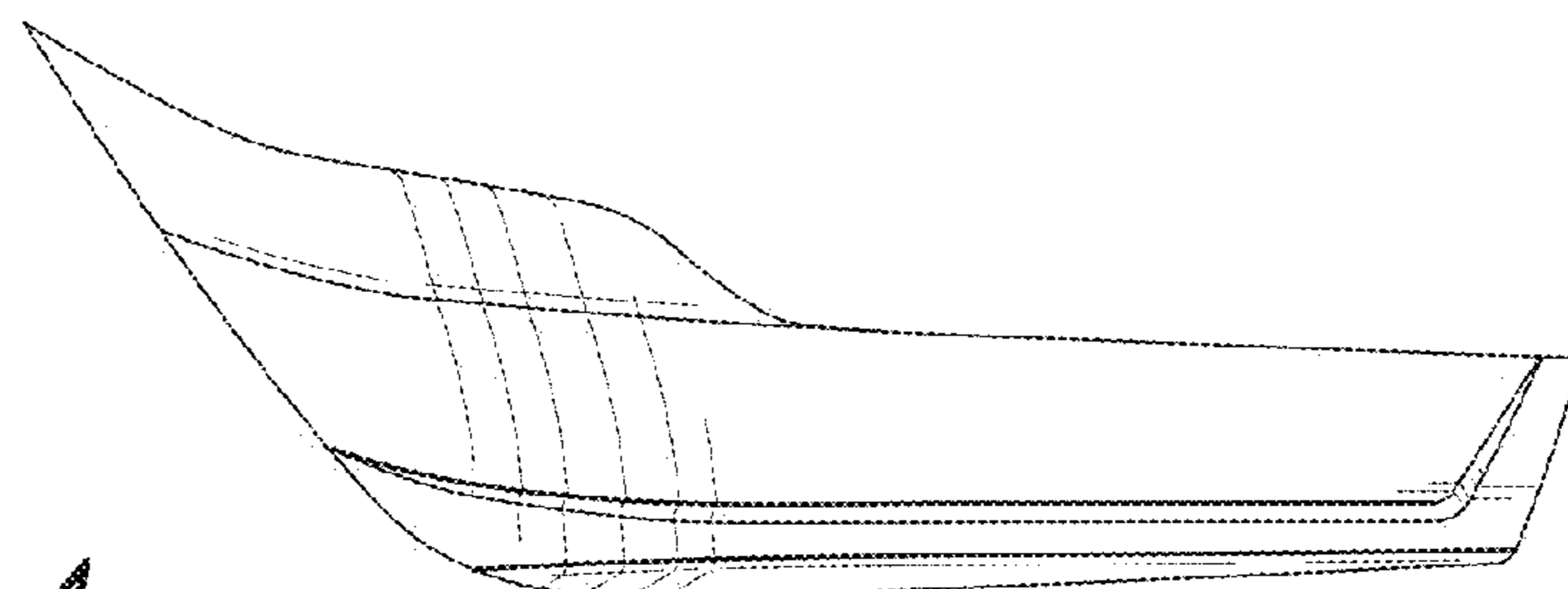


Fig-4